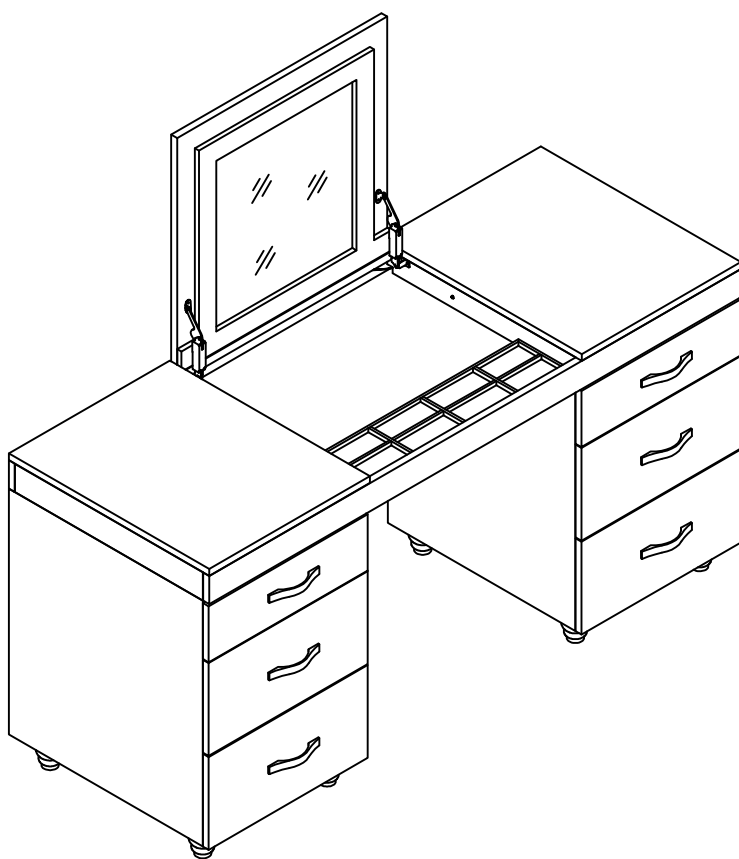
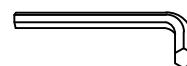


ASSEMBLY INSTRUCTIONS



TOOLS REQUIRED



Allen Wrench
(Included)



2 - People
Recommended

ASSEMBLY RATING

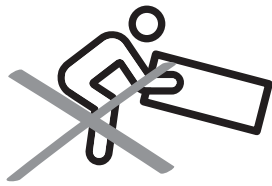


EASY ————— DIFFICULT

The Assembly Rating is a 5-point system showing the level of effort needed to assemble a specific product.

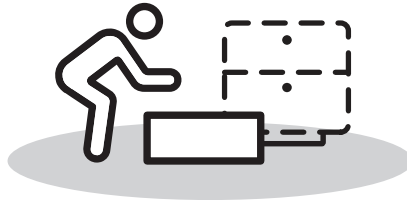
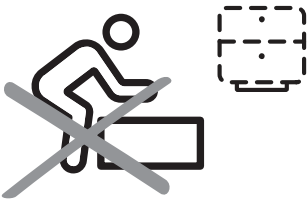
PRE ASSEMBLY INTRODUCTION

We understand building ready-to-assemble furniture can be a challenging experience for some. To help avoid confusion, we have provided some helpful tips that may speed up the process.



Teamwork

ALWAYS have at least two people to help with transporting and assembling the product to avoid potential injury and/or damage.



Suitable Location

Assembling near the area of the intended location is highly recommended.



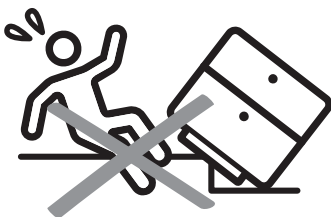
Sufficient Space

Make sure you have enough space to move around during the assembly.



Avoid Scratches

Use cardboard, blankets or a carpeted area while assembling furniture to prevent scratches.



Flat Surface

Make sure the furniture rests on a flat and level surface with each leg evenly touching the floor.

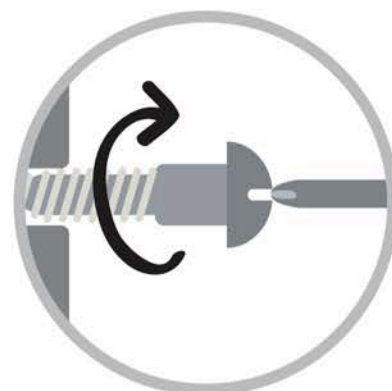
ASSEMBLY AND CARE ADVICE



FAILURE TO FOLLOW THE GUIDELINES BELOW MAY RESULT IN INJURY AND/OR PROPERTY DAMAGE.



Position each part correctly and insert screws or bolts into their respective holes.



Turn clockwise to tighten and only tighten when step is completed or when instructed to do so.



Use the appropriate hand tools or power tools for assembly. Select steps, such as tightening screws and/or bolts, may require hand tools to avoid causing damage during assembly.



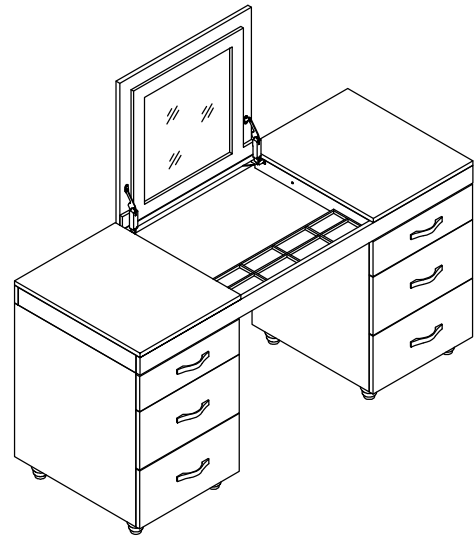
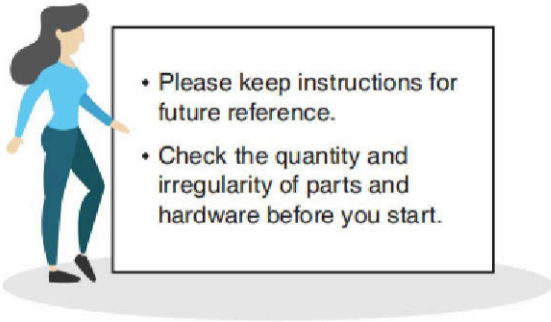
Save the instructions and store any supplied tools for later maintenance.



After two weeks, check and tighten any loose hardware and repeat again every six months thereafter.

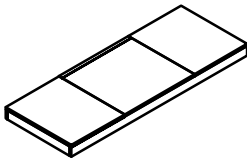
IT IS THE USER'S RESPONSIBILITY TO MAINTAIN THE FURNITURE. THE HARDWARE MAY LOOSEN OVER TIME AND MAY CAUSE THE FURNITURE TO BE WOBBLY AND UNABLE TO SUPPORT ITS INTENDED WEIGHT CAPACITY. THIS MAY LEAD TO COLLAPSE AND MAY CAUSE SERIOUS INJURY.

TABLE



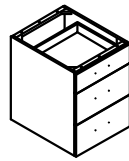
PARTS

#1 1pc



Top

#2 2pcs



Pedestal

#3 8pcs



Leg

HARDWARE

#A 4pcs



Wood Dowel
5/16" x 1-1/4"

#B 8pcs



Bolt Ø1/4" x 1-3/8"

#C 8pcs



Spring Washer Ø1/4"

#D 8pcs



Flat Wassher Ø1/4"

#E 1pc



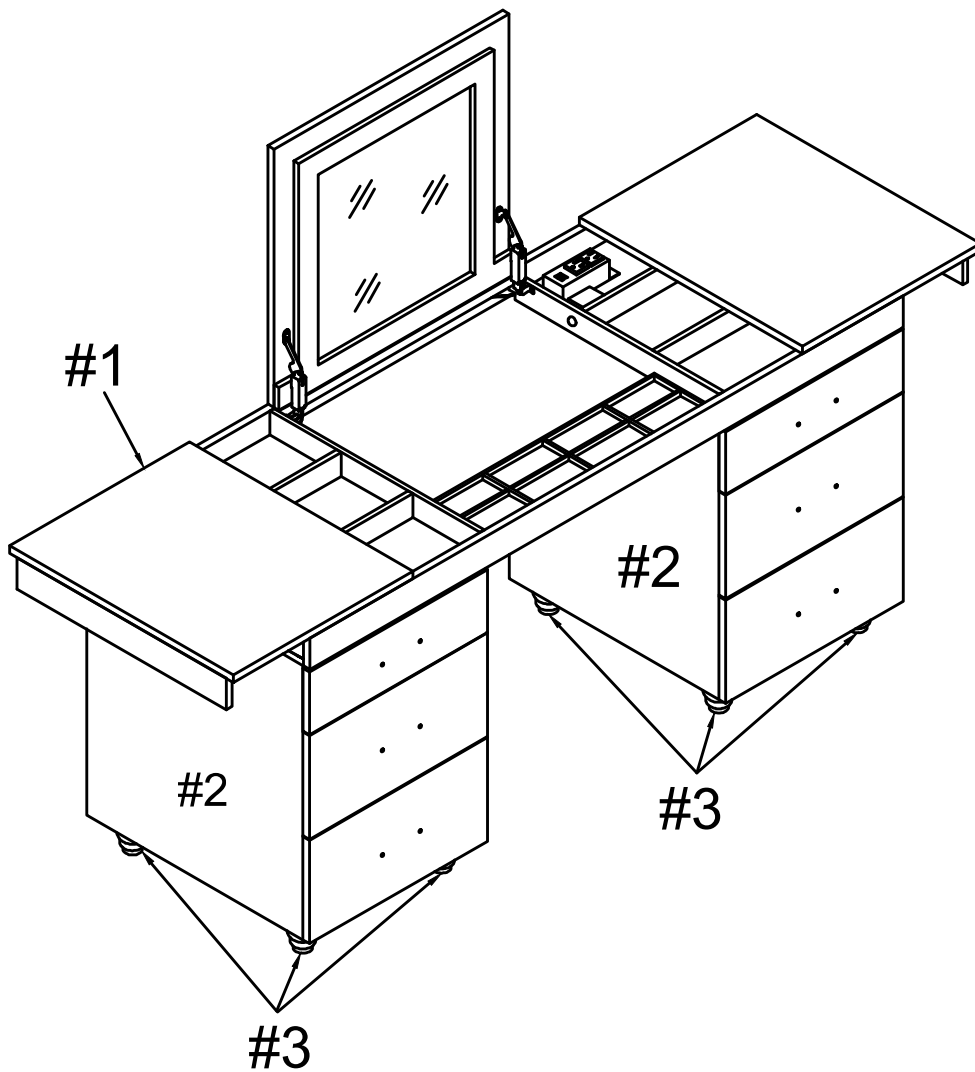
Allen Wrench

#F 1pc

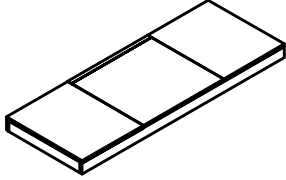
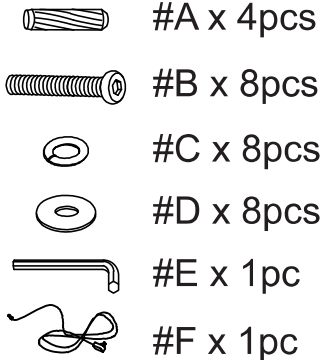
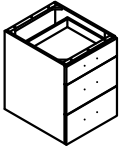
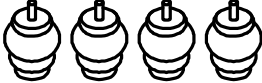


Power Cords

Exploded View



Packed in 2 cases

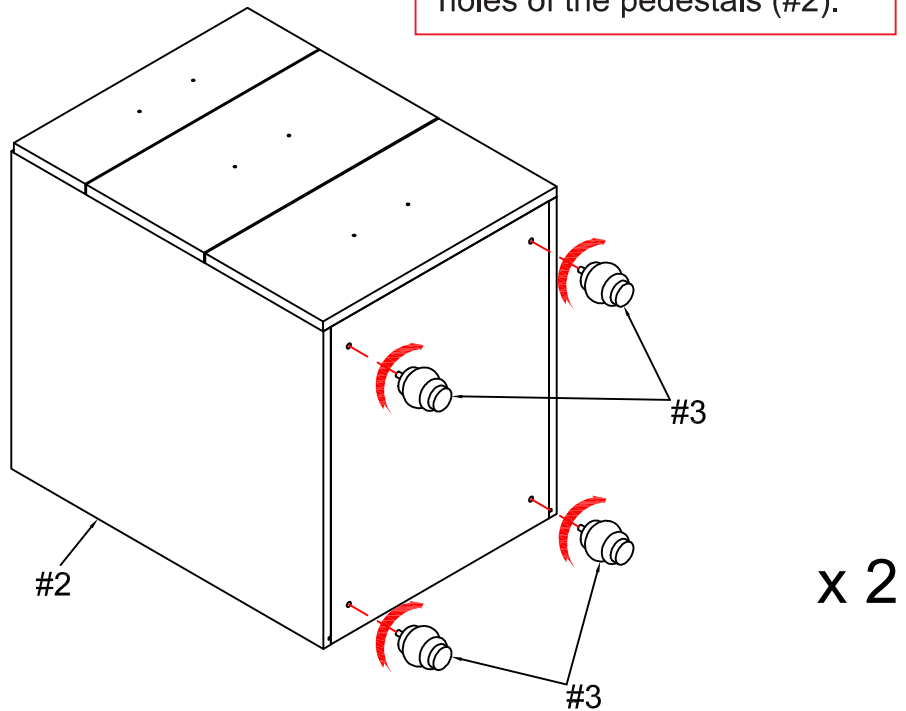
Carton	Disignation	Part		Hardware
	Top	#1		
	Pedestal	#2		
	Legs	#3		

ASSEMBLY INSTRUCTIONS

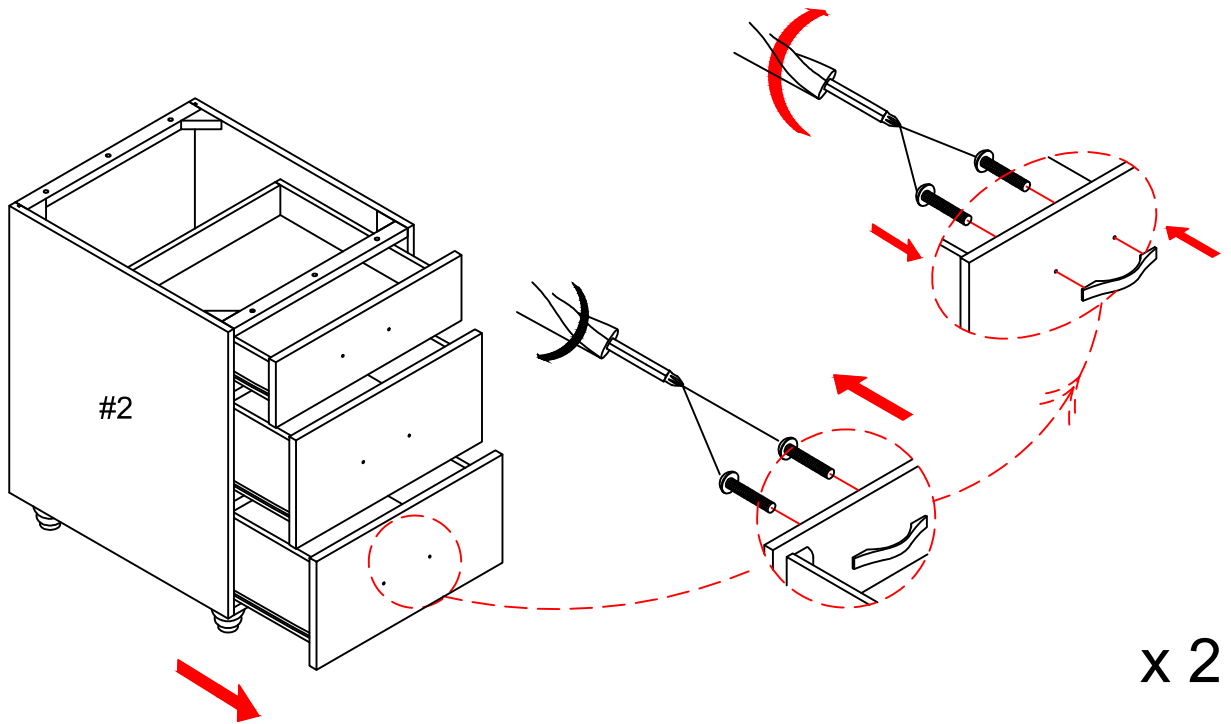
1

Part #2 x1pc
Part #3 x4pcs

Attach legs (#3) to the bottom holes of the pedestals (#2).



2

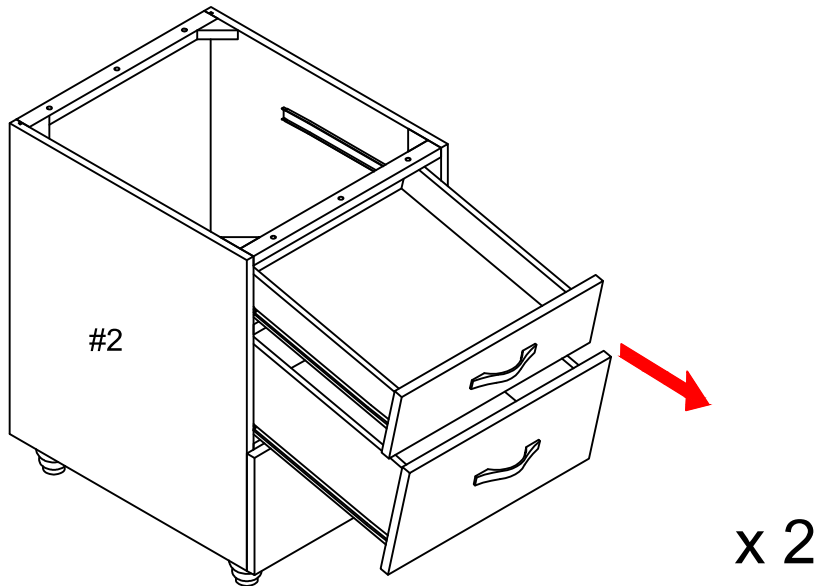


Unscrew knobs from the inside of the drawers in the pedestals (#2), then secure knobs to the outside of the drawers.

ASSEMBLY INSTRUCTIONS

3

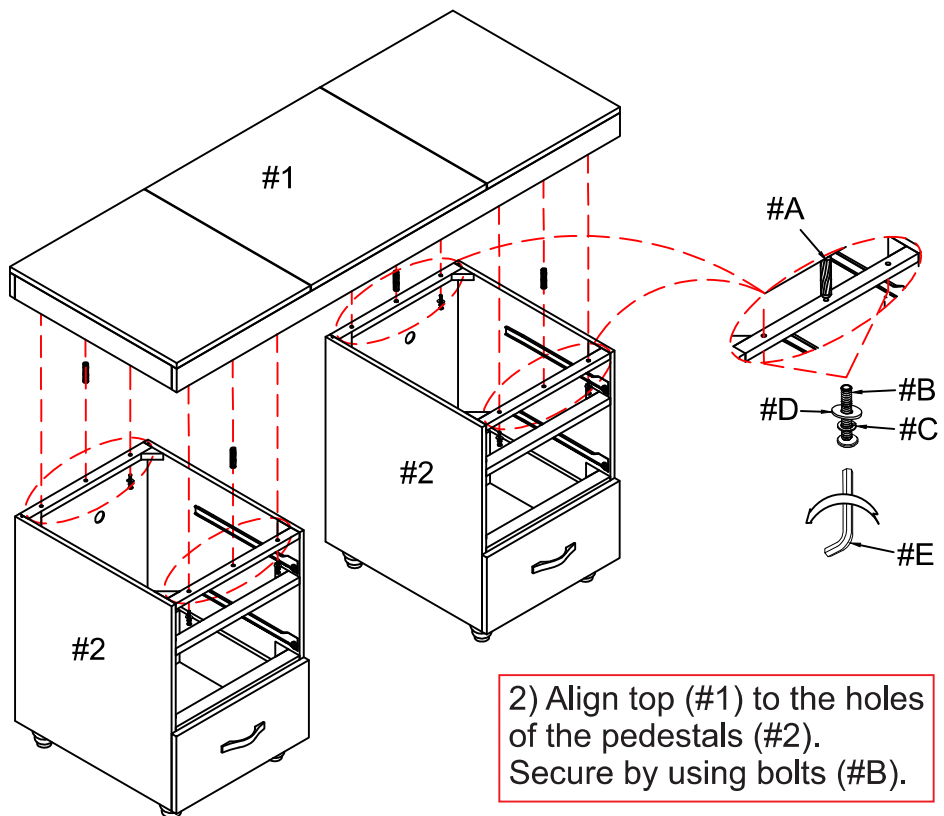
Remove first two drawers on each pedestals (#2).



4

1) Attach dowels (#A) to the holes of the pedestals (#2) as shown in the image. Prepare 8 bolts assembly by inserting lock washer (#C), then flat washer (#D) onto bolts (#B).

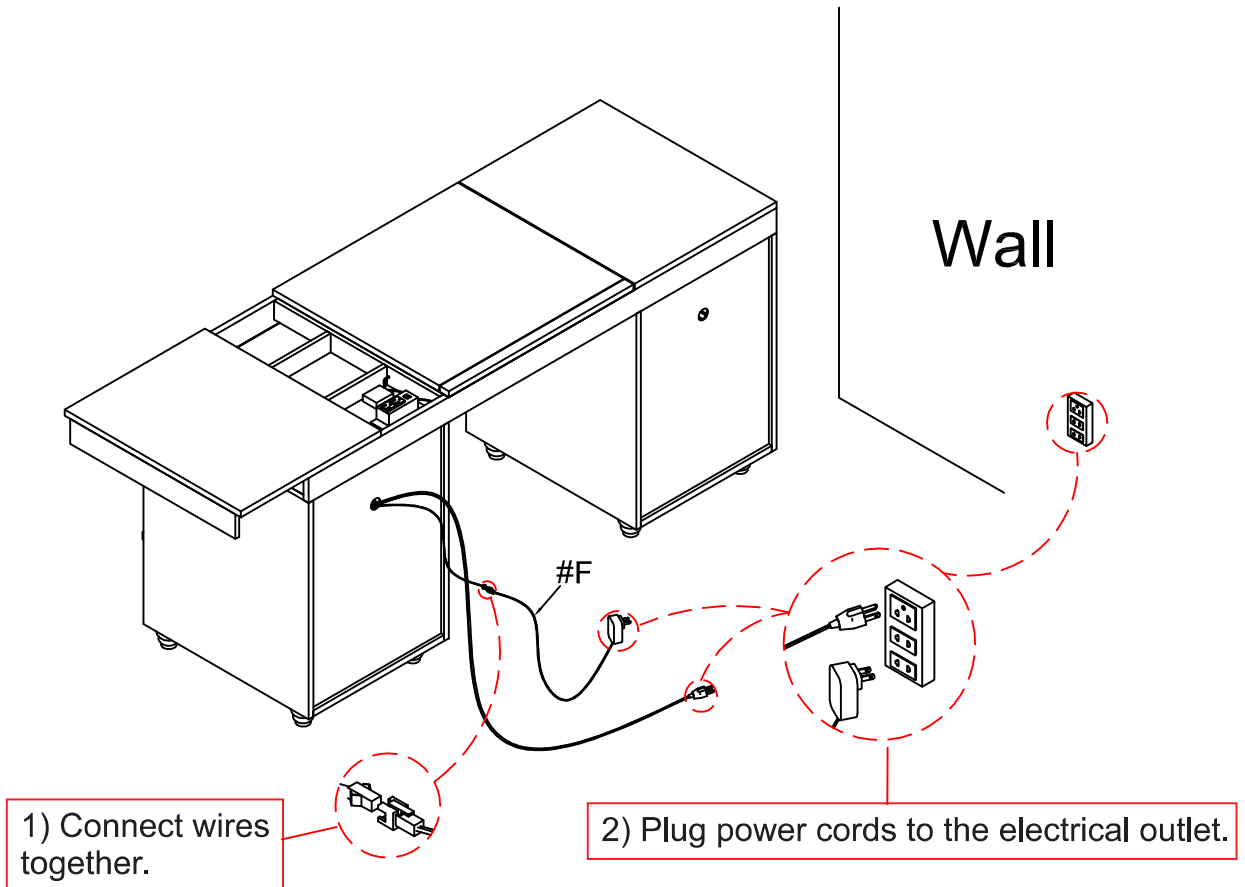
- Part #1 x1pc
- Part #2 x2pcs
- Hardware #A x4pcs
- Hardware #B x8pcs
- Hardware #C x8pcs
- Hardware #D x8pcs



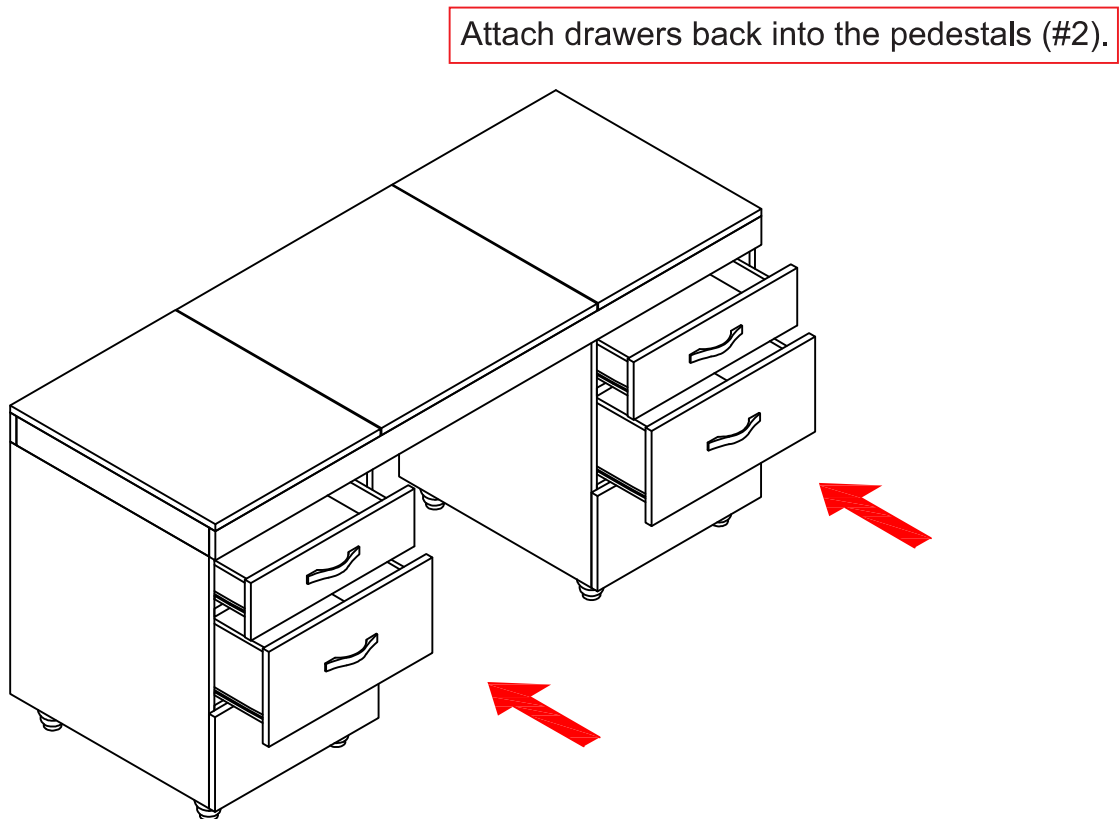
2) Align top (#1) to the holes of the pedestals (#2). Secure by using bolts (#B).

ASSEMBLY INSTRUCTIONS

5



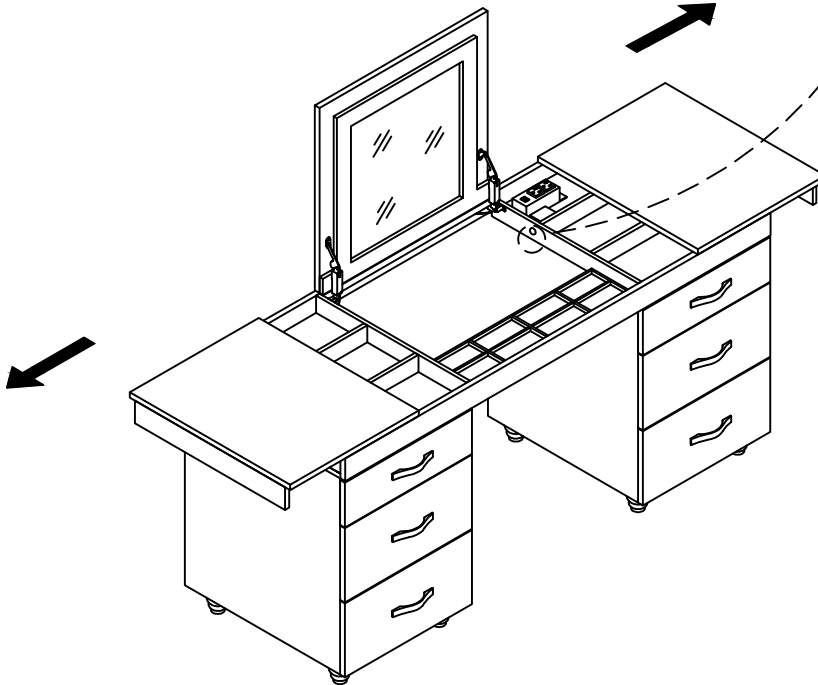
6



ASSEMBLY INSTRUCTIONS

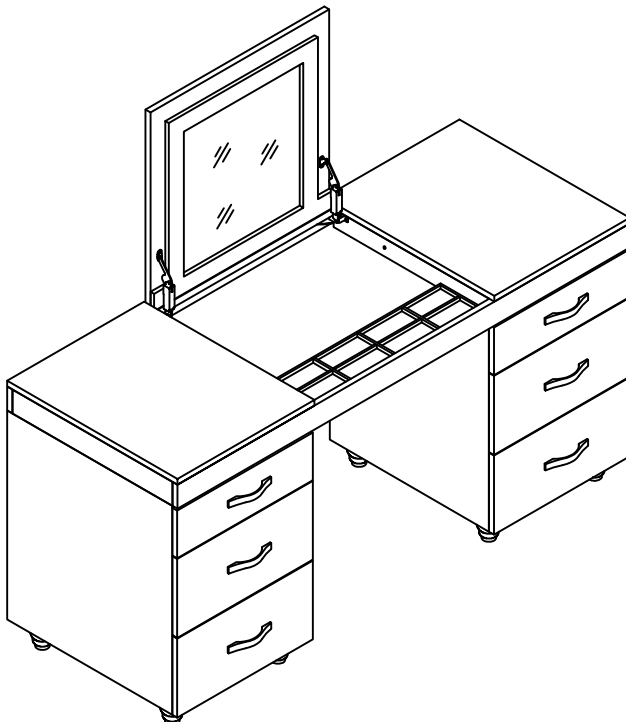
7

Lift and extend the table.



Turn on the led light

8



ASSEMBLY COMPLETED



Please ensure the furniture rests on an even and flat surface. If the product wobbles or feels loose, double-check all bolts and/or screws are properly tightened and secured.



Keep this handy!

Please retain this instruction manual and any order-related information for future reference.



Lift, don't drag!

To avoid damage to product please always LIFT the product when transporting or adjusting the placement.