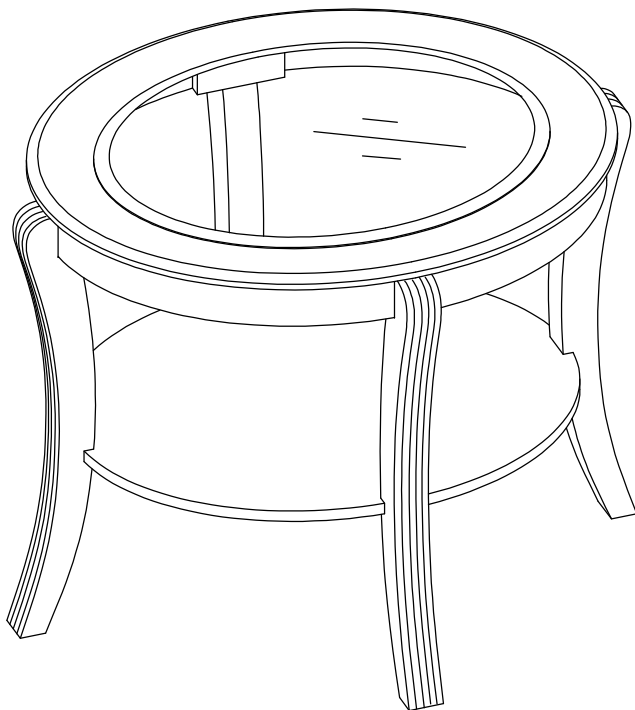


# ASSEMBLY INSTRUCTIONS

---



## TOOLS REQUIRED



Allen Wrench

(Included)



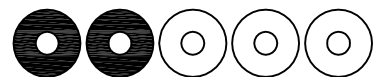
Phillips  
Screwdriver

(Not Included)



2 - People  
Recommended

## ASSEMBLY RATING



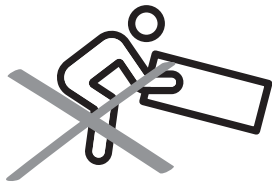
EASY —————> DIFFICULT

The Assembly Rating is a 5-point system showing the level of effort needed to assemble a specific product.

---

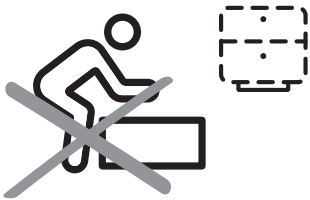
# PRE ASSEMBLY INTRODUCTION

We understand building ready-to-assemble furniture can be a challenging experience for some. To help avoid confusion, we have provided some helpful tips that may speed up the process.



## Teamwork

ALWAYS have at least two people to help with transporting and assembling the product to avoid potential injury and/or damage.



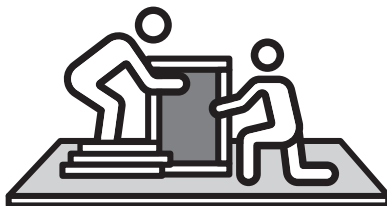
## Suitable Location

Assembling near the area of the intended location is highly recommended.



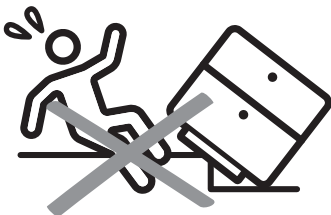
## Sufficient Space

Make sure you have enough space to move around during the assembly.



## Avoid Scratches

Use cardboard, blankets or a carpeted area while assembling furniture to prevent scratches.



## Flat Surface

Make sure the furniture rests on a flat and level surface with each leg evenly touching the floor.

# PRE ASSEMBLY INTRODUCTION

We understand building ready-to-assemble furniture can be a challenging experience for some. To help avoid confusion, we have provided some helpful tips that may speed up the process.



## Teamwork

ALWAYS have at least two people to help with transporting and assembling the product to avoid potential injury and/or damage.



## Suitable Location

Assembling near the area of the intended location is highly recommended.



## Sufficient Space

Make sure you have enough space to move around during the assembly.



## Avoid Scratches

Use cardboard, blankets or a carpeted area while assembling furniture to prevent scratches.



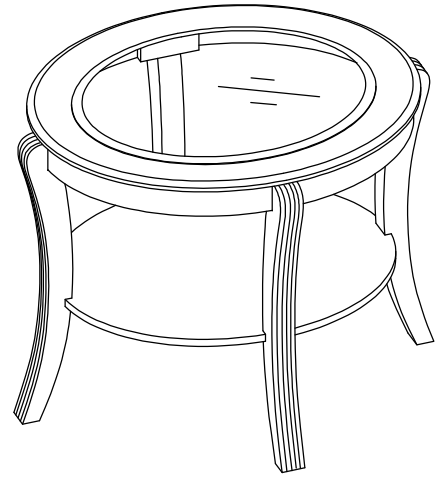
## Flat Surface

Make sure the furniture rests on a flat and level surface with each leg evenly touching the floor.

# END TABLE



- Please keep instructions for future reference.
- Check the quantity and irregularity of parts and hardware before you start.



## PARTS

#1 1pc



Table Top Frame

#2 1pc



Glass Top

#3 1pc



SHELF

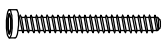
#4 4pcs



Table Leg

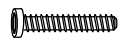
## HARDWARE

#A 8pcs



Bolt Ø1/4"X2"

#B 8pcs



Bolt Ø1/4"X1/2"

#C 16pcs



Lock Washer

#D 16pcs



Flat Washer

#E 1PC



Allen Wrench

#F 4pcs



Bracket

#G 8pcs



Plastic Cap

# ASSEMBLY INSTRUCTIONS

# 1

Part #1 X1pc

Part #3 X1pc

Part #4 X4pcs

Hardware #A X8pcs

Hardware #B X8pcs

Hardware #C X16pcs

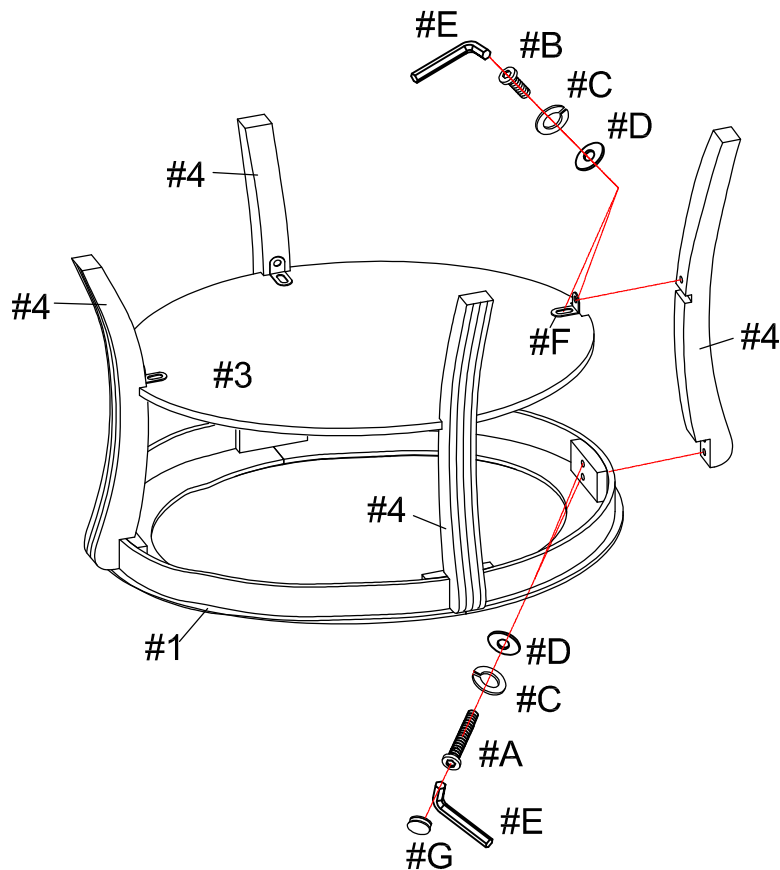
Hardware #D X16pcs

Hardware #E X1pc

Hardware #F X4pcs

Hardware #G X8pcs

- I. Carefully place the table top frame (#1) on a protected surface.
- II. Align the table legs (#4) to the pre-drilled holes around the edges of the table top frame (#1).  
Note, as you align the legs insert the shelf (#3) into the designated slots on the legs.
- III. Prepare 8 bolt assemblies by FIRST inserting the lock washer (#C) onto the bolt (#A) then the flat washer (#D) onto that SAME bolt (#A), in that order. Insert into the legs connecting it to the table and secure using the Allen wrench (#E). Apply a plastic cap (#G) on top.
- IV. Prepare 8 bolt assemblies by FIRST inserting the lock washer (#C) onto the bolt (#B) then the flat washer (#D) onto that SAME bolt (#B), in that order. Insert into the pre-drilled holes on the shelf (#3) and secure using the Allen wrench(#E).

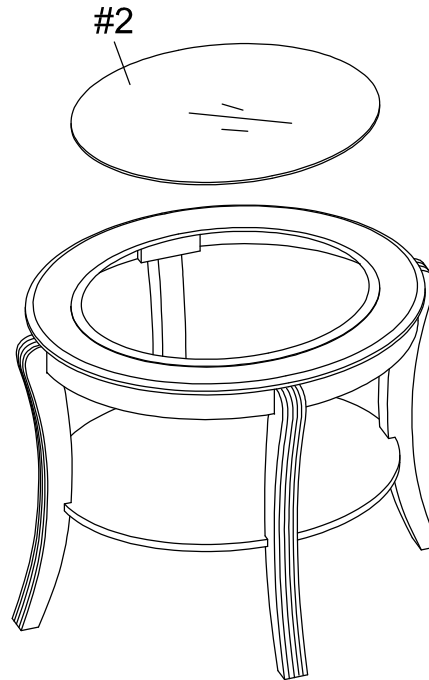


# ASSEMBLY INSTRUCTIONS

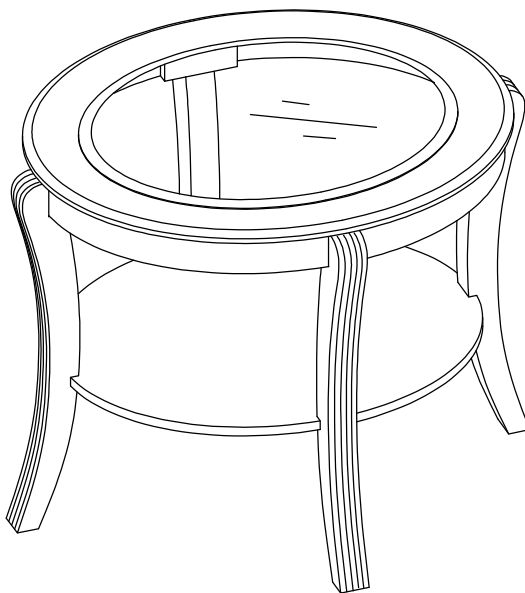
2

Part #2 X1pc

Apply glass top (#2).



3



## ASSEMBLY COMPLETED



Please ensure the furniture rests on an even and flat surface. If the product wobbles or feels loose, double-check all bolts and/or screws are properly tightened and secured.



### Keep this handy!

Please retain this instruction manual and any order-related information for future reference.



### Lift, don't drag!

To avoid damage to product please always LIFT the product when transporting or adjusting the placement.