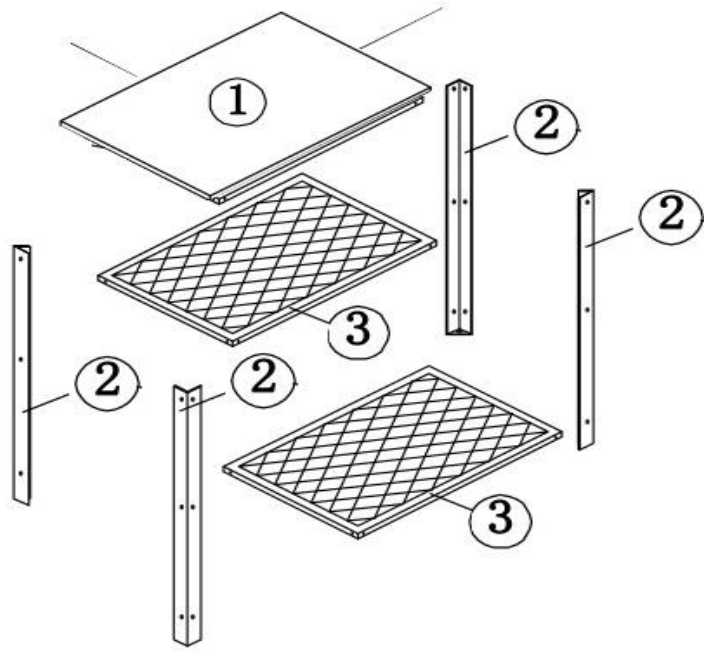


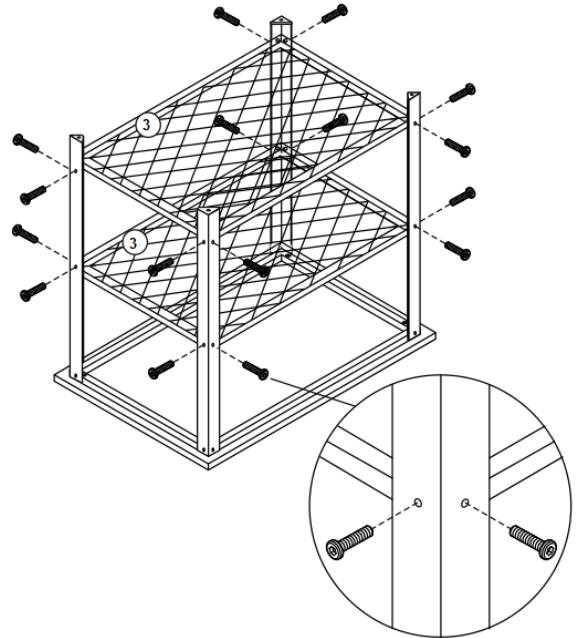
# Industrial End Side Tables with Mesh Shelf and Wheels



**Step One:** Install the four metal frame to the MDF board.

Do not fully tighten the bolts until full assembly is complete

to allow for easier adjustments if needed.



**Step Two:** Install the 2-layer sturdy metal mesh. Features

a heavy-duty and powder-coated metal frame

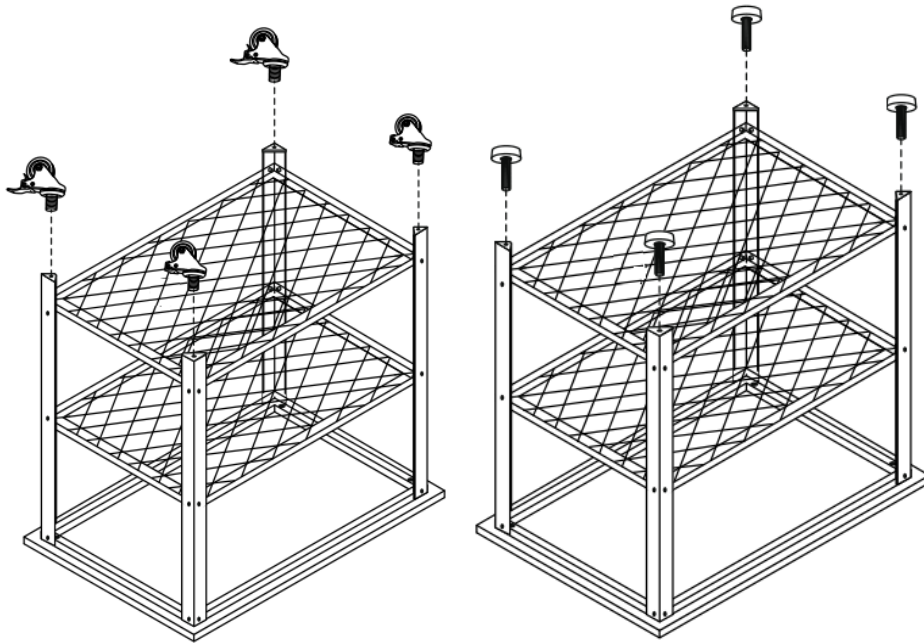
for stability and durability.

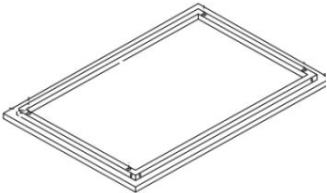

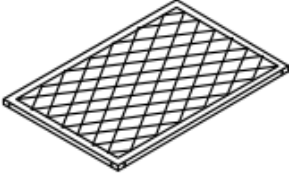





**Step Three:** Attach 4 adjust feet pads or heavy duty

Casters to the base of black metal frame.





1		E1-grade MDF Board Tabletop	1pc
2		Metal frame	4pcs
3		Mesh Shelves	2pcs
4		Flexible wheels	4pcs
5		Adjuster feet ( foot pads )	4pcs
6		Bolts(Same size )	24sets