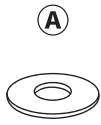
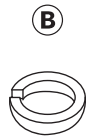


# DINING CHAIR

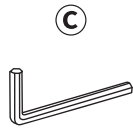
Read these instructions carefully. Ensure that all following listed parts are complete before assembling.



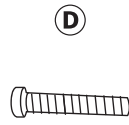
Flat Washer x9



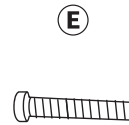
Spring Washer x9



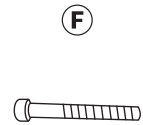
Allen Key x1



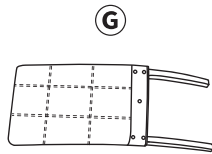
M8\*55 Bolt x1



M8\*60 Bolt x4



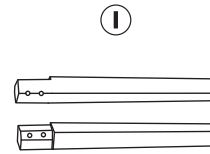
M8\*75 Bolt x4



Chair Back x1



Chair Seat x1

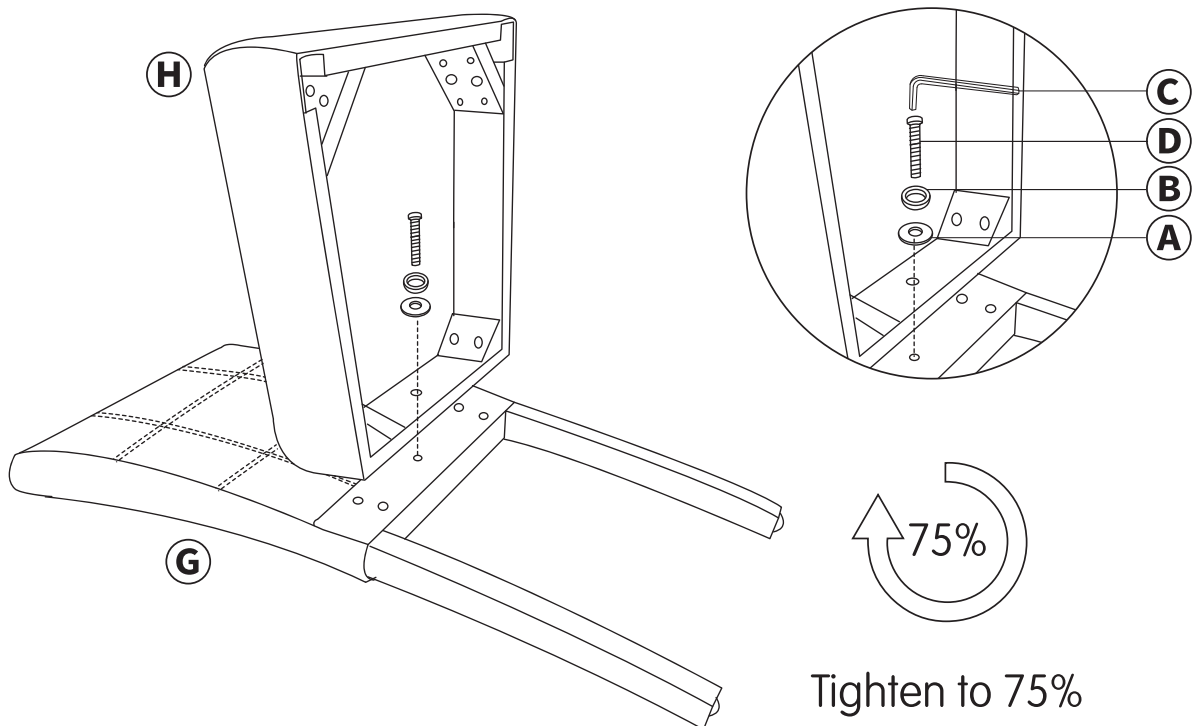


Front Leg x2

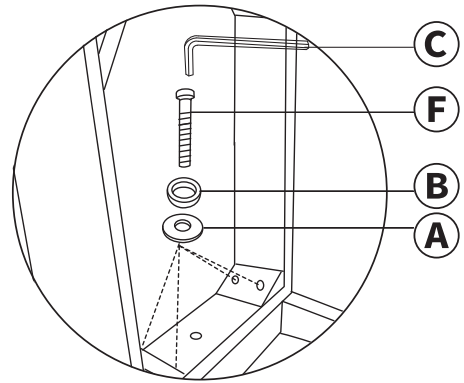
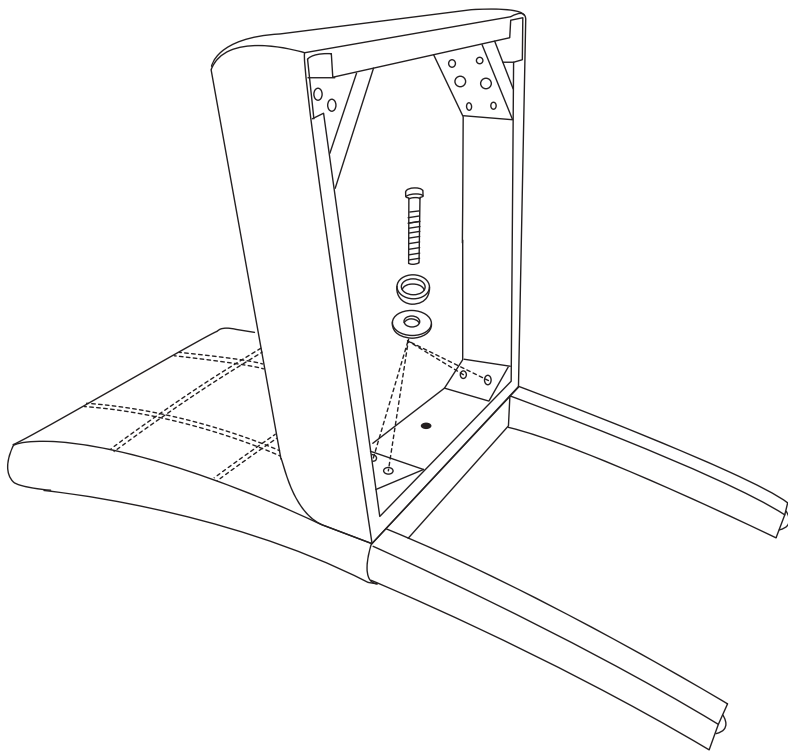


When operating the electric screwdriver, please exercise caution to prevent over-tightening, as it may result in stripped holes. Be mindful not to scratch any components during use.

**Step 1** Peel off the fabric cover attached with Velcro from the bottom of the seat.

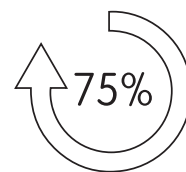
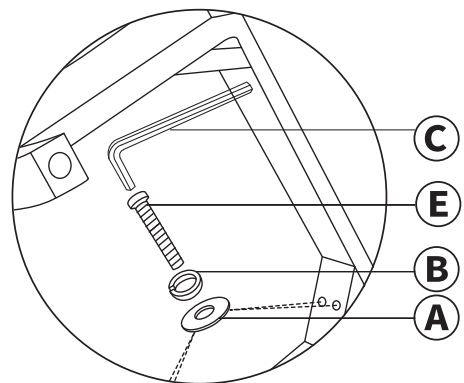
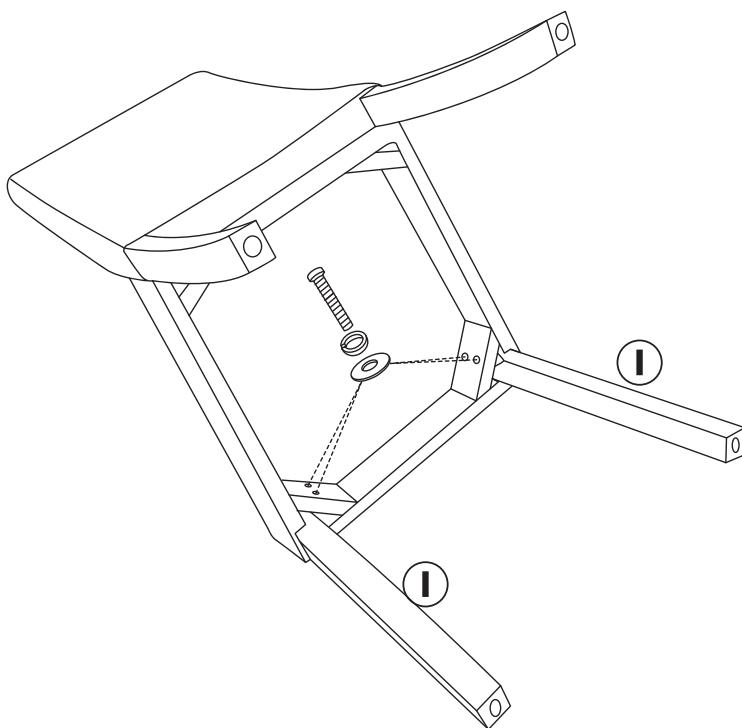


# Step 2



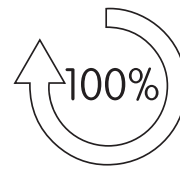
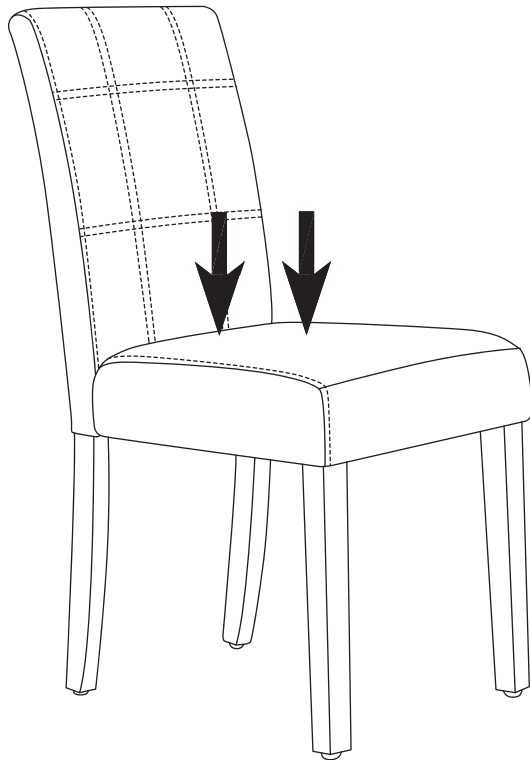
Tighten to 75%

# Step 3

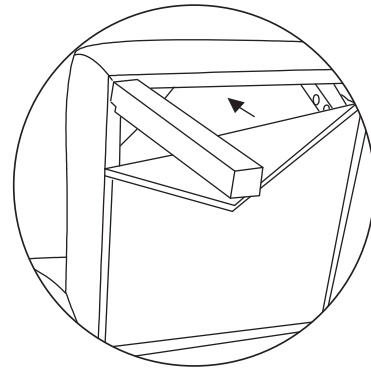


Tighten to 75%

## Step 4

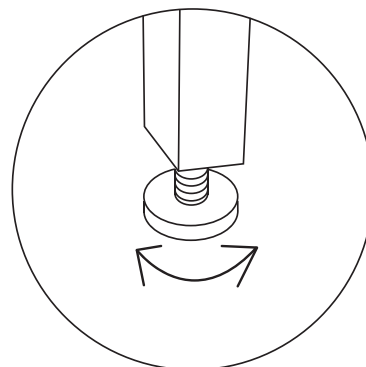
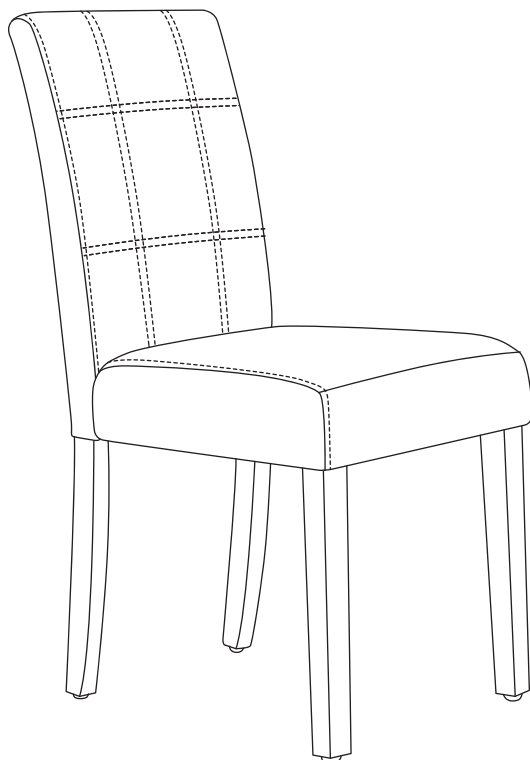


Stand the chair upright and check it is stable on the ground, then tighten all screws completely.



After tightening the screws, attach the fabric cover properly to the chair bottom.

## Step 5



Utilize the adjustable foot pads to level the dining chair as needed.