

Installation Manual of Bed

Dear Valued Customer:

Thank you for choosing our brand and purchasing our bed frame!

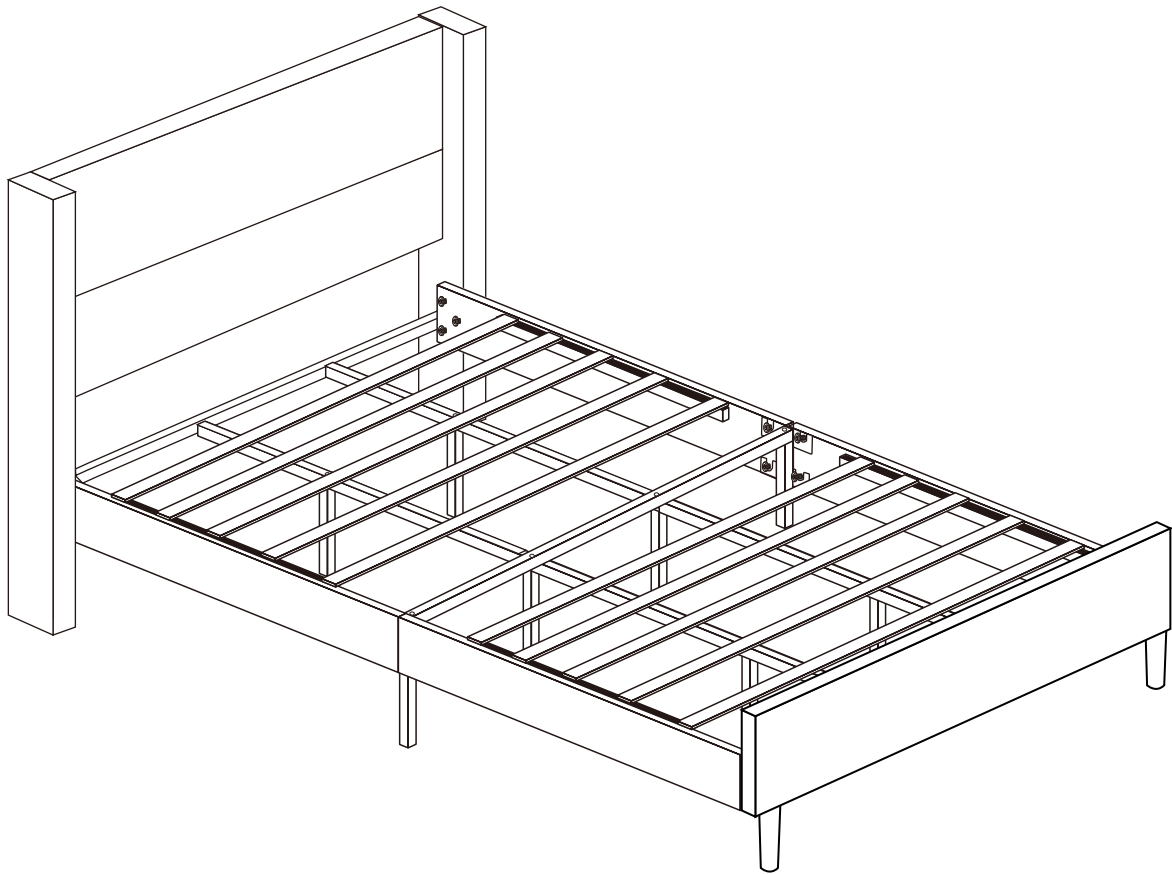
We are thrilled to have earned your trust and we want to ensure that you are completely satisfied with your purchase. To help you get the most out of your new bed frame, we would like to share some useful tips on cleaning and maintenance.

When cleaning your bed frame, we recommend using a soft, slightly moist cloth. Avoid using corrosive detergents, wire brushes, abrasive scourers, or any sharp metal objects as they may damage the product.

Additionally, we recommend checking the components of the bed frame regularly to ensure that all screws are tightened and the frame remains stable.

Installing the bed frame is a simple process. Please refer to the detailed instructions in the manual for step-by-step guidance.

Customer satisfaction is our top priority and we are committed to providing you with the best service and high-quality products. If you have any questions or concerns regarding your bed frame, please don't hesitate to contact our customer service team at email. We are here to help you and resolve any issues you may have. To solve your problem faster, please note the following information in the email.

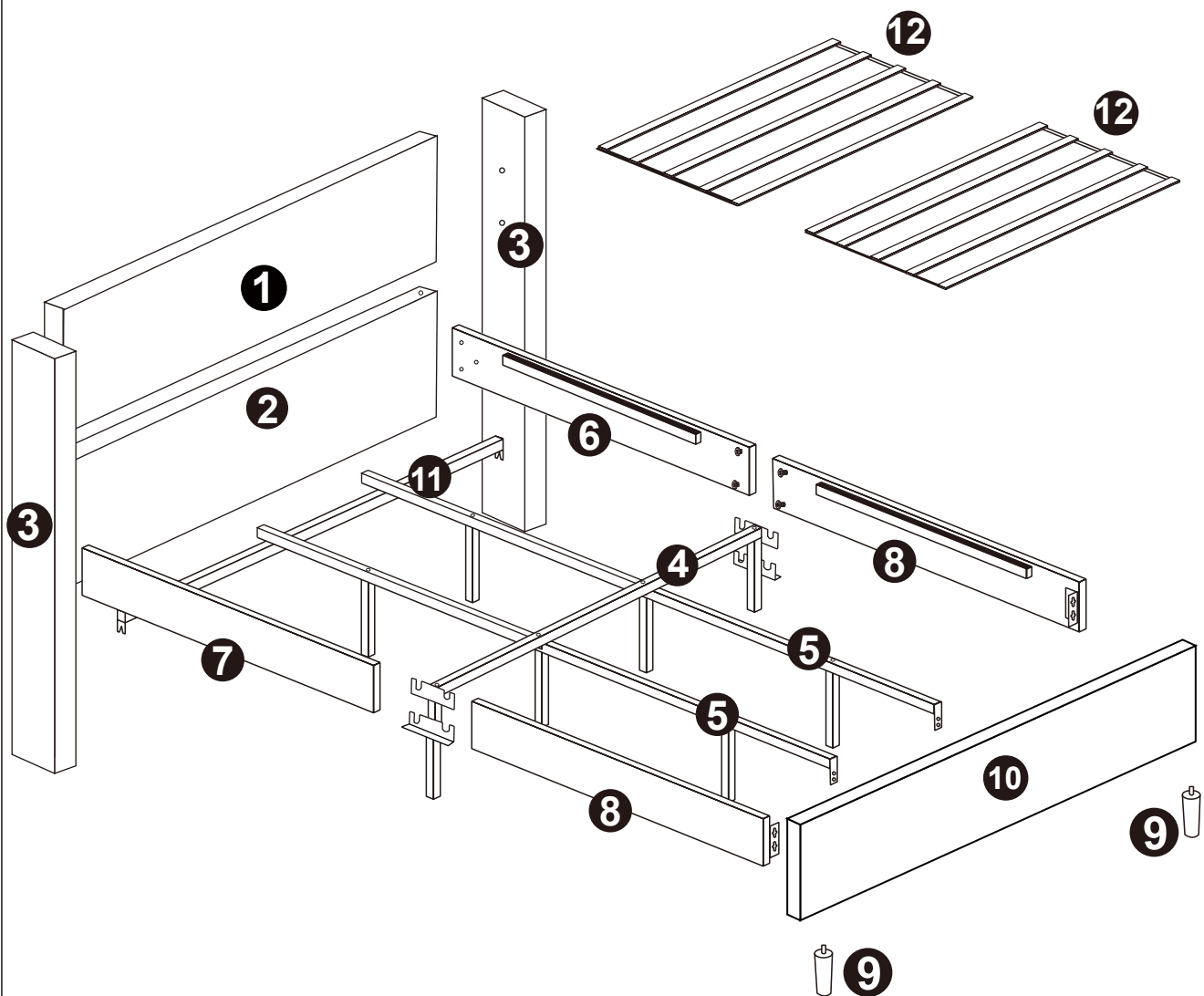


IMPORTANT NOTE

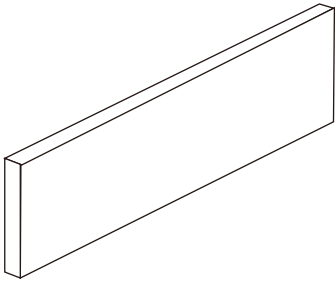
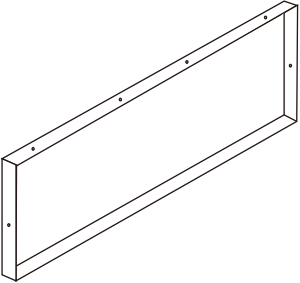
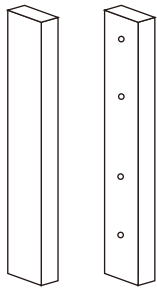
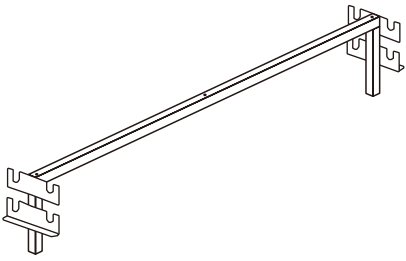
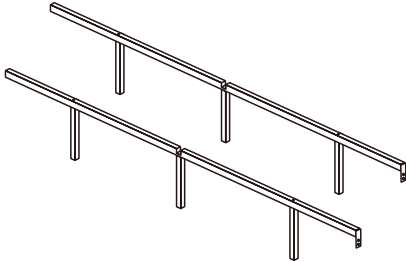
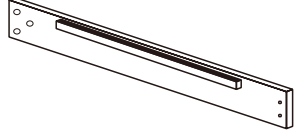
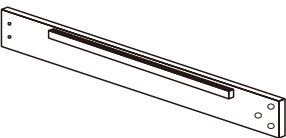
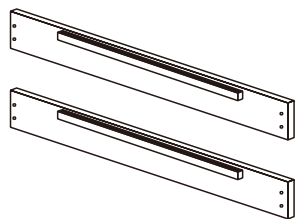
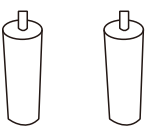
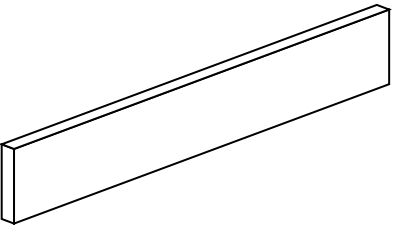
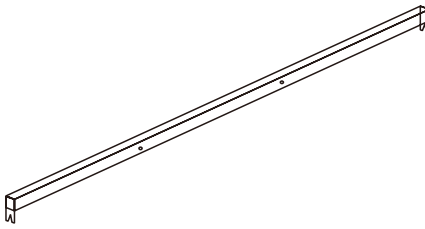
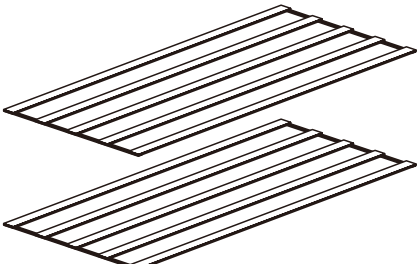
1. Please check that all parts are complete before installation.
2. Please strictly follow the installation steps to install.
3. Please install the bed on a clean and smooth surface to prevent any damage.
4. Please don't sit/stand/lie on the slats until the mattress is in place.
5. Please periodically check all the fittings and re-tighten as necessary.
6. Please do not use the bed unless all bolts and screw are firmly secured.
7. Please contact us if you need any help, we will reply you as soon as possible

Important tips:




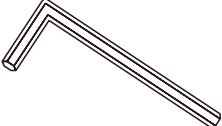
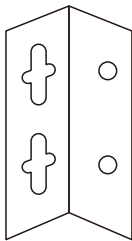
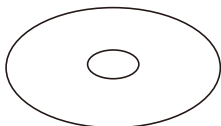
Don't tighten the screws first, make sure all parts are installed before tightening the screws.



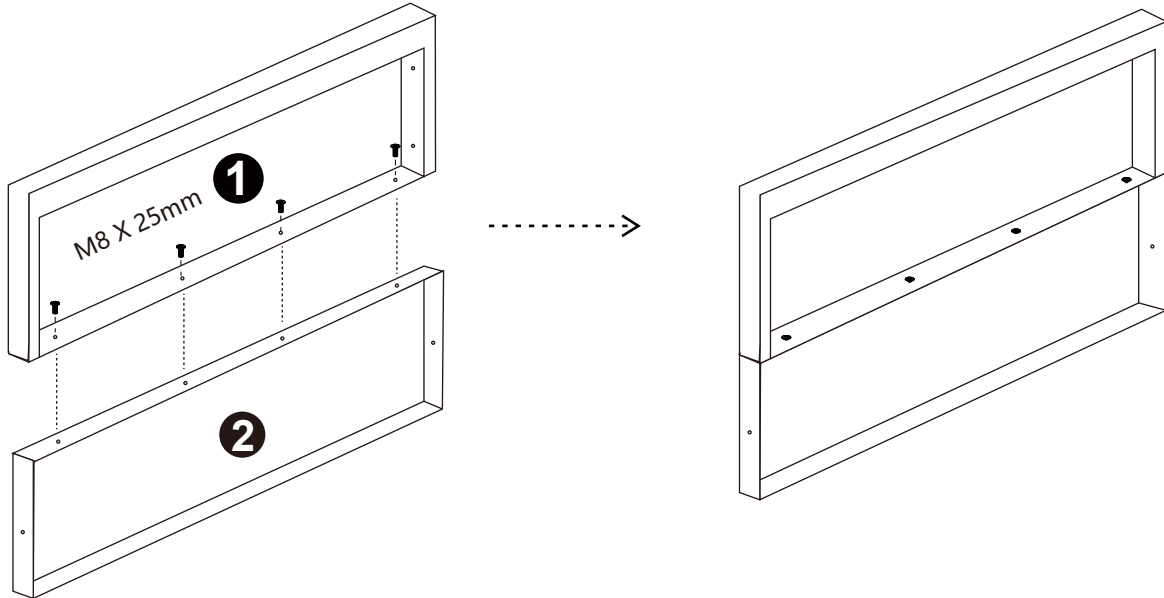
PART LIST

<p>(1) Upper headboard x 1pcs</p> 	<p>(2) Lower headboard x 1pcs</p> 	<p>(3) Wingback x 2pcs</p> 
<p>(4) Transverse centerx 1 pcs</p> 	<p>(5) Center support bar x 2 pcs</p> 	<p>(6) Side panel x 1pcs</p> 
<p>(7) Side panel x 1pcs</p> 	<p>(8) Side panel x 2pcs</p> 	<p>(9) Bed Foot x 2 pcs</p> 
<p>(10) Footboard x 1pcs</p> 	<p>(11) Headstock bar x 1 pcs</p> 	<p>(12) Slat x 2pcs</p> 

PART LIST

<p>Bolt M8x25mm x4pcs Bolt M8x45mm x 8pcs</p>   <p>Bolt M8x35mm x 14pcs</p>  <p>Bolt M8x25mm Spare parts x 1pcs Bolt M8x35mm Spare parts x 1pcs Bolt M8x45mm Spare parts x 1pcs</p>	<p>(H5) Allen Key M8 x1pc (Installation tool)</p> 	<p>Gasket</p> 	<p>Screw washers</p> 
---	---	--	--

Step 1 Join the upper headboard (1) and the lower headboard (2) together, and then tighten with (M8 X 25MM) screws.

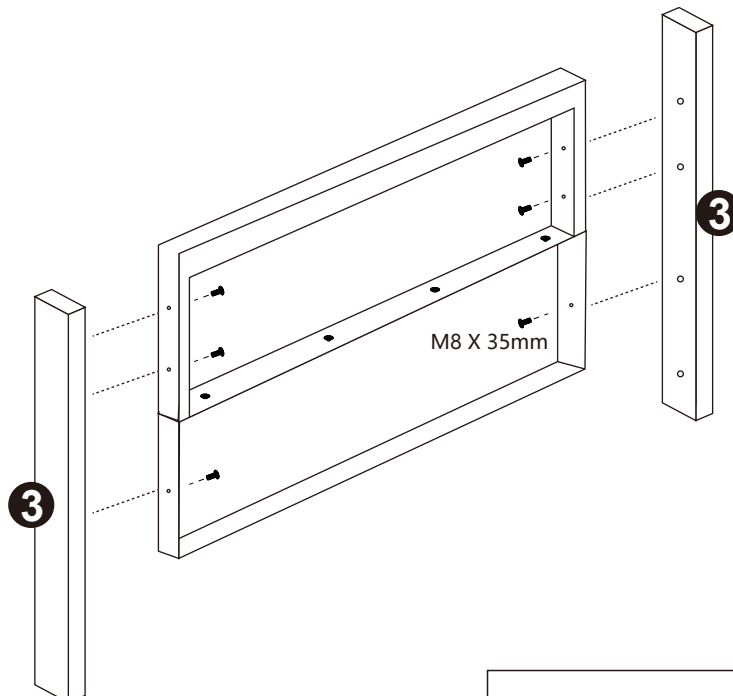


M8 X 25mm



X 4

Step 2 Connect the wingback (3) and the upper headboard (1), then tighten with (M8 X 35MM) screws from the inside.

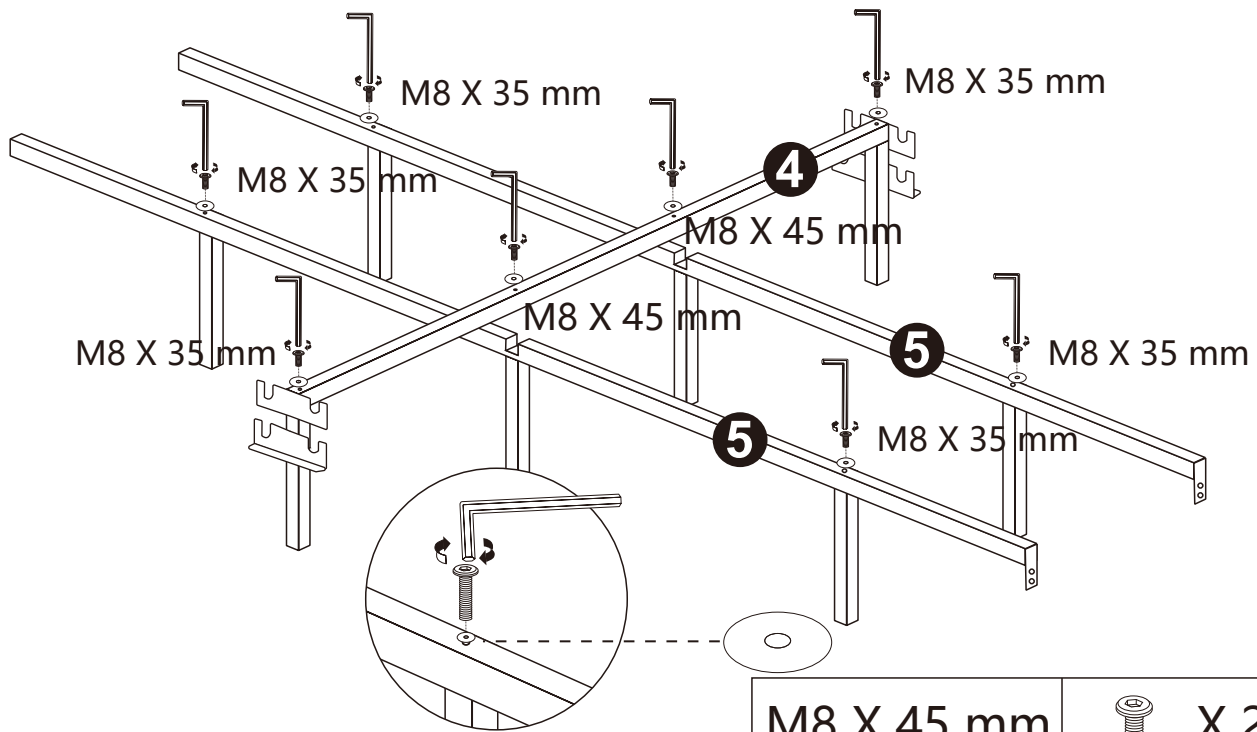





M8 X 35mm



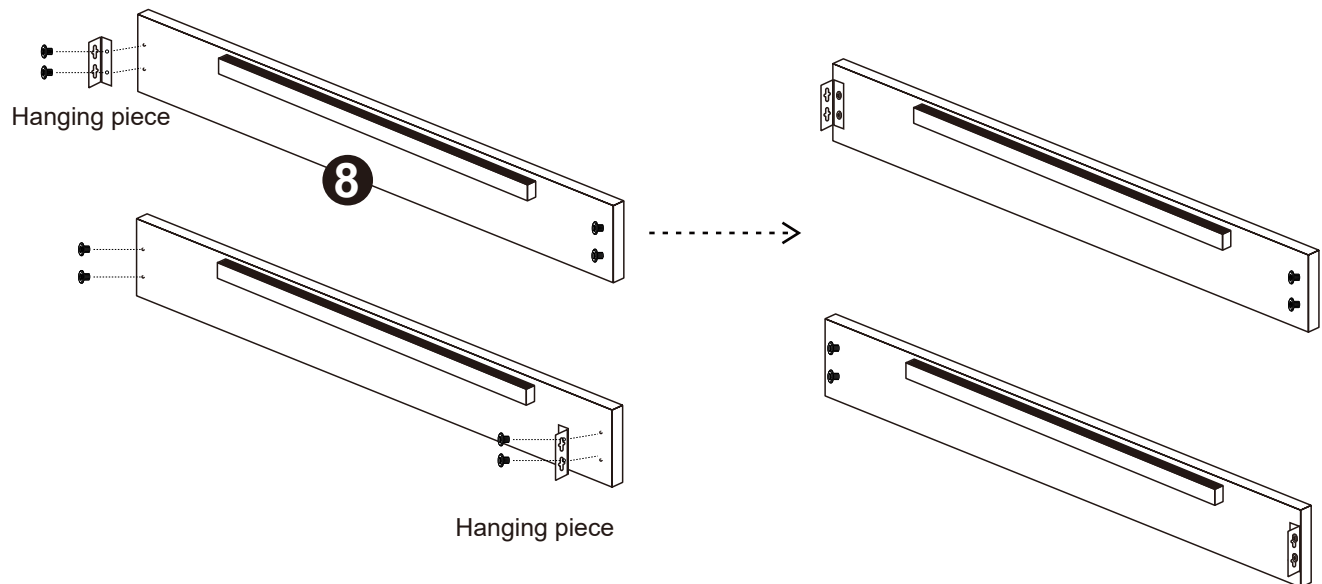
X 6

Step 3 Place part (5) directly beneath part (4), then tighten the assembly using the screws and washers shown in the diagram.



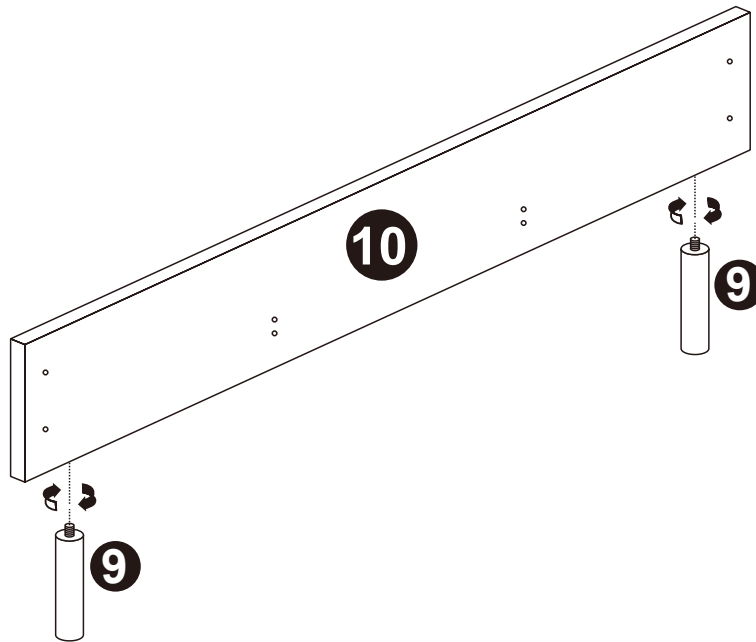
		M8 X 45 mm	 X 2
Screw washers	 X 8	M8 X 35 mm	 X 6

Step 4 Secure both bed side panels A (8) using the pre-installed M8 x 20mm screws according to the diagram below.

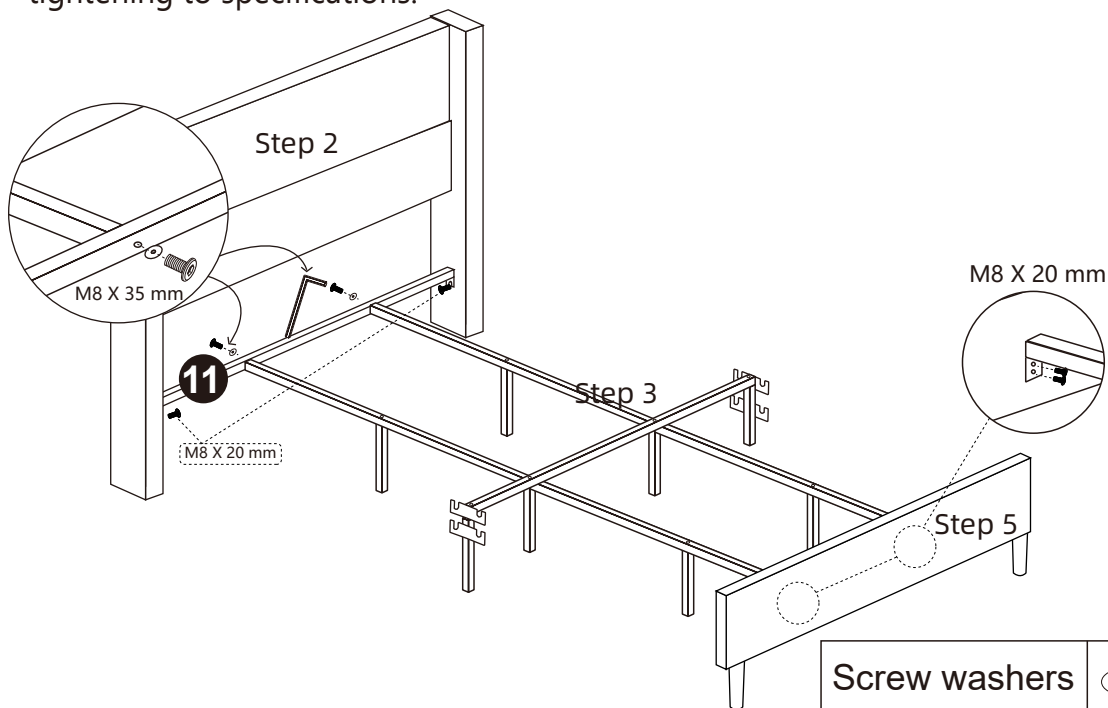


Gasket	 X 2
--------	---

Step 5 Please install part (7) to part (8) separately



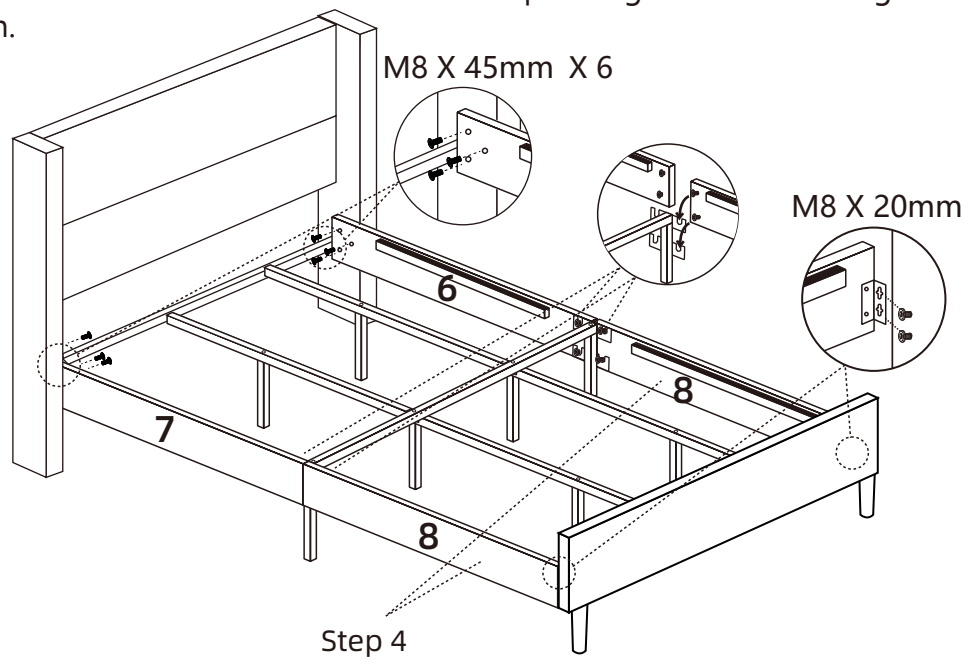
Step 6 Assemble the pre-assembled components by following steps (2), (3), and (6) as illustrated in the diagram below. Secure component (11) using the M8 x 35mm and M8 x 20mm screws according to the diagram, ensuring proper alignment and tightening to specifications.



Translation:

Note: The M8 x 20mm screws are already pre-installed.

Step 7 As shown in the diagram, two bed side panels (6)/(7) connect to the headboard guard panel. Then, the two bed side panels (8) installed in Step 7 attach to the footboard. Secure all connections with the corresponding screws according to the diagram.



Translation:

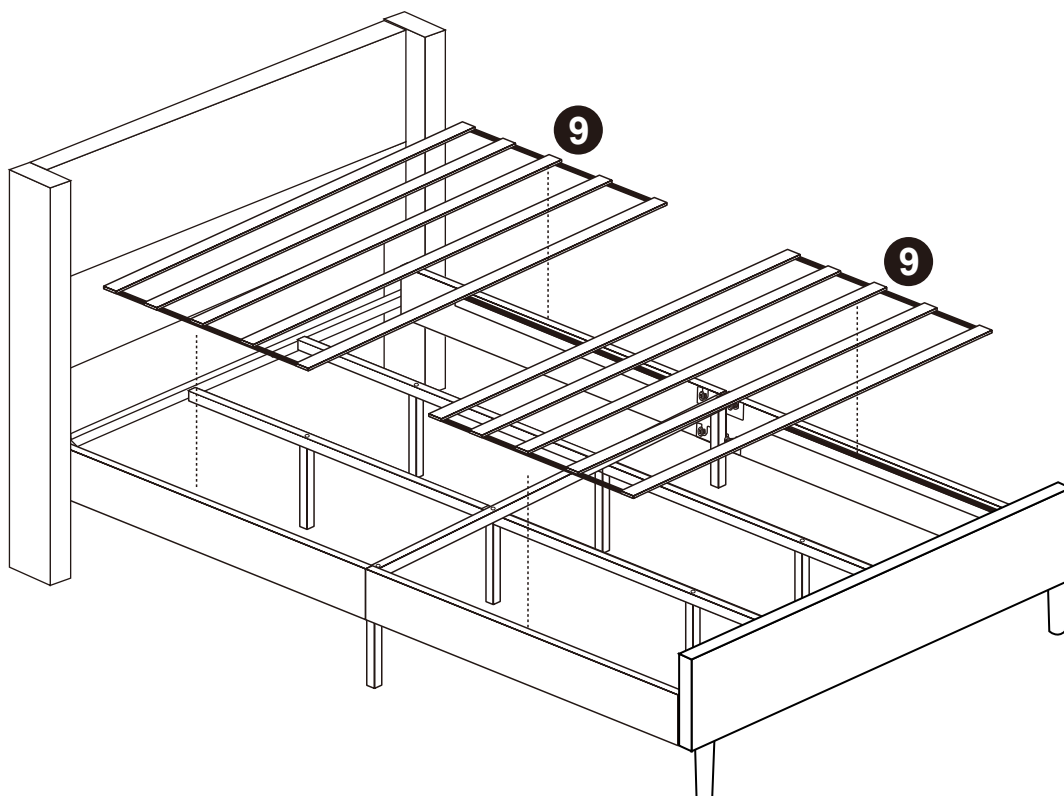
Note: The M8 x 20mm screws are already pre-installed.

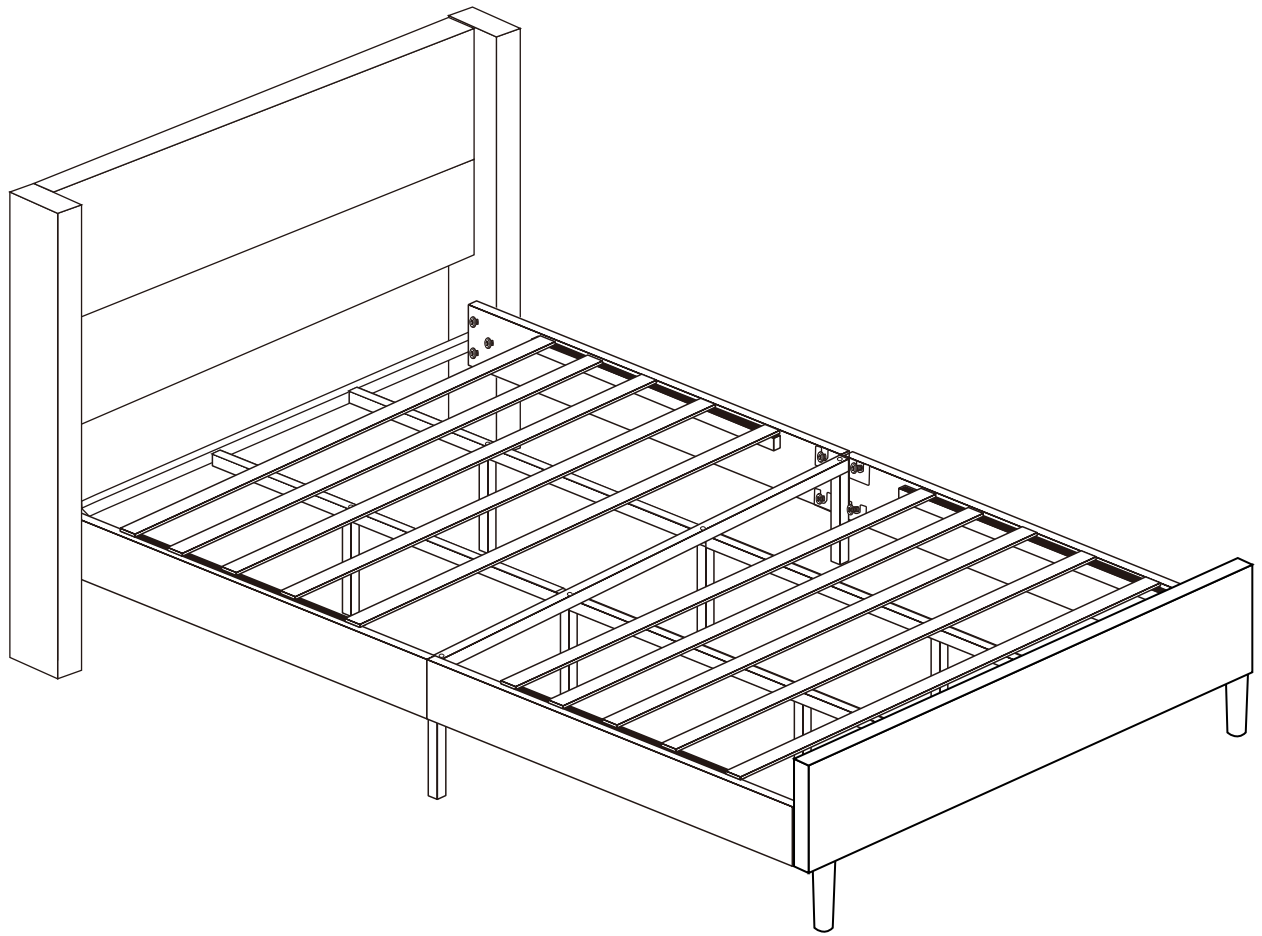
M8 X 45mm

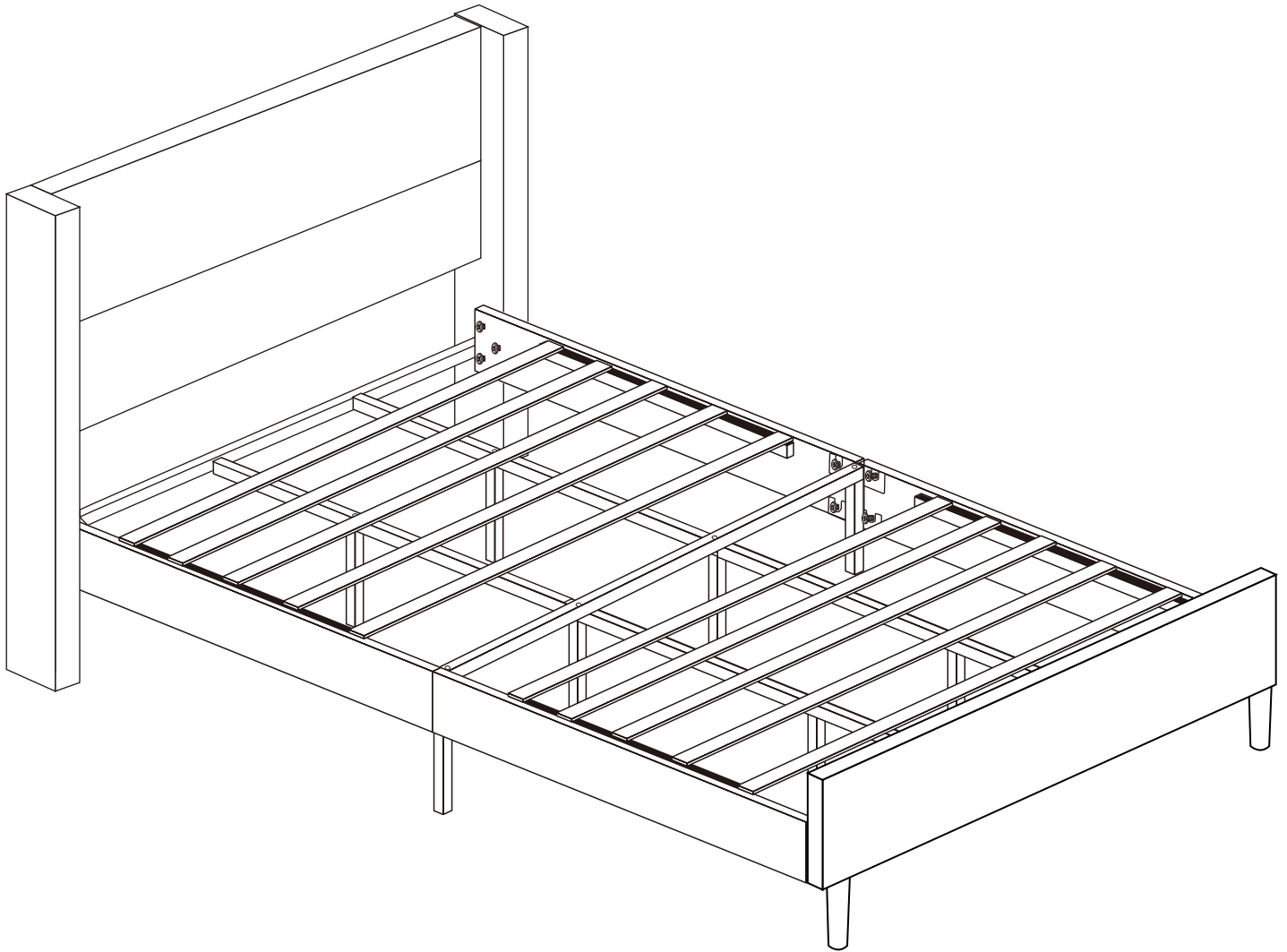


X 6

Step 8 Tighten all screws and place the slats (9) on.







Job complete!

In the interest of our environment, please dispose
of all packaging thoughtfully, thanks!

We'd love to hear from you!