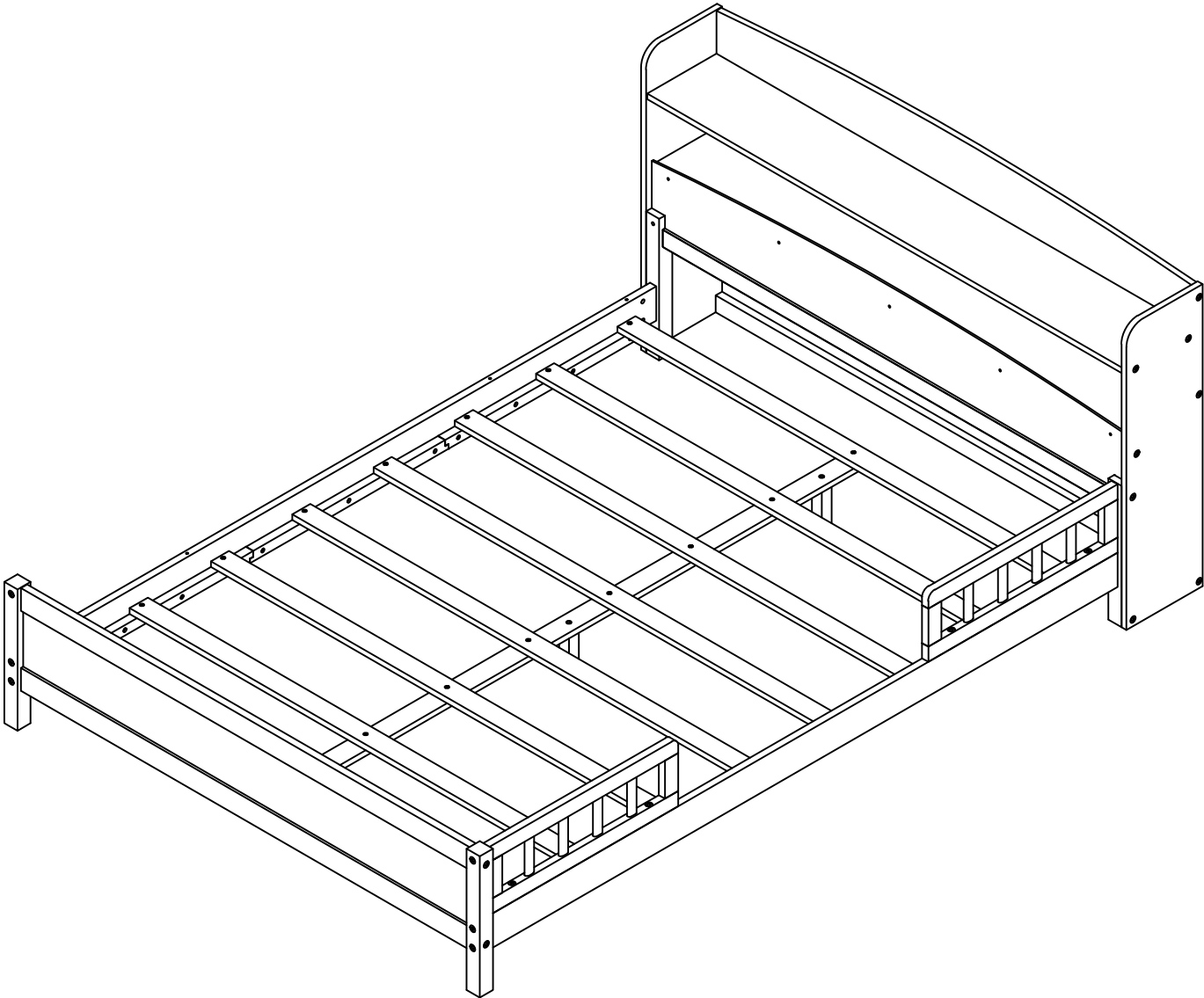


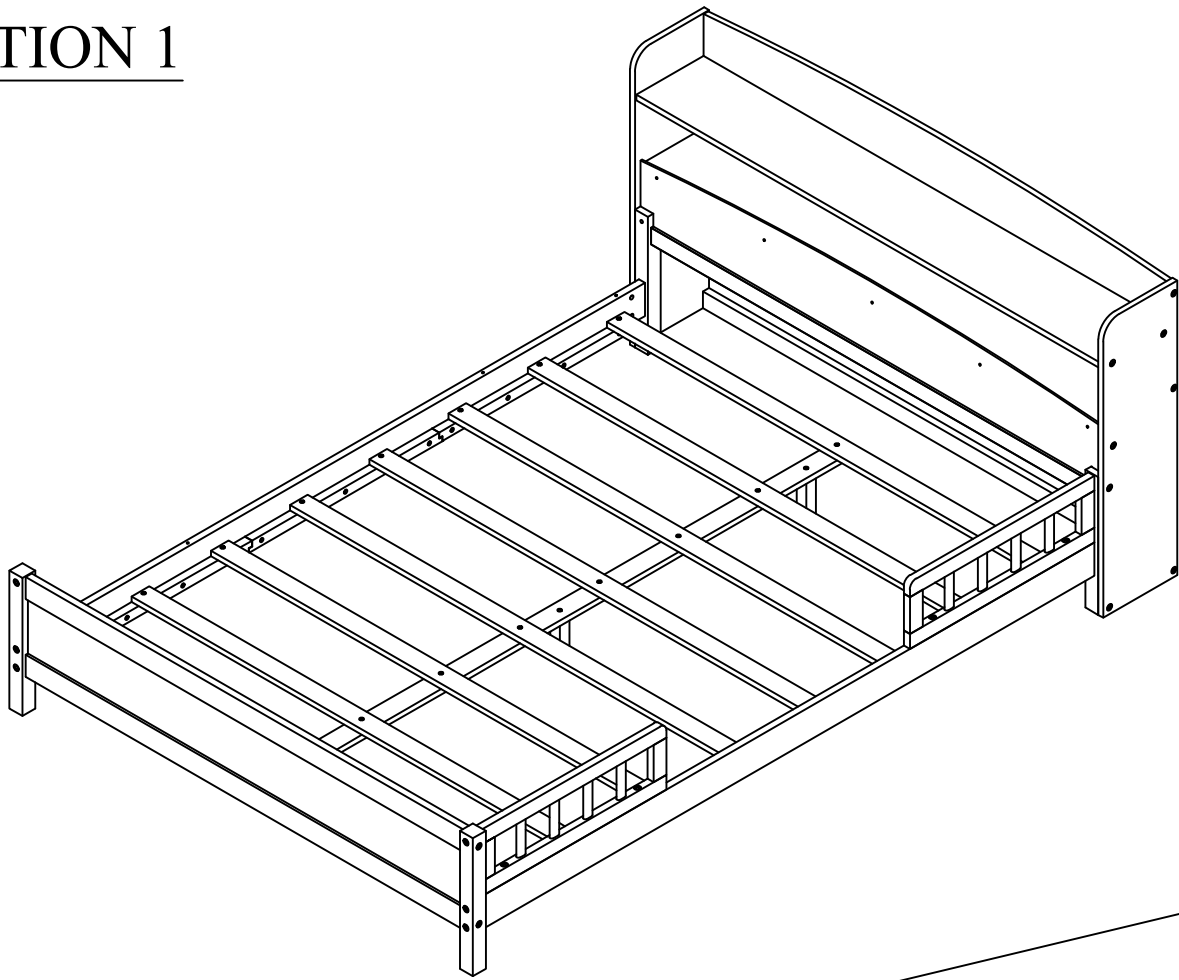
ASSEMBLY INSTRUCTIONS

FULL BED WITH LED LIGHT, STORAGE HEADBOARD

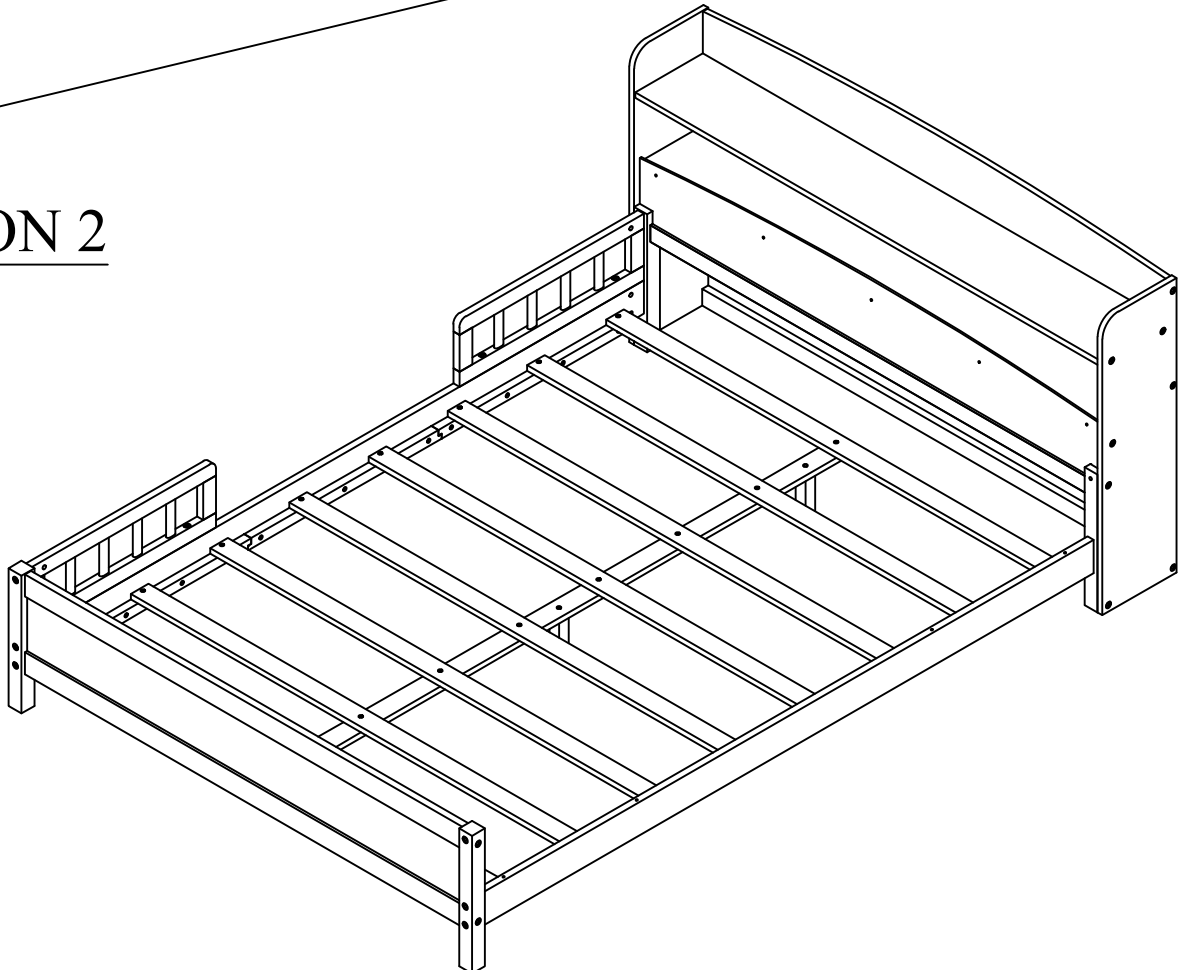


SD33016

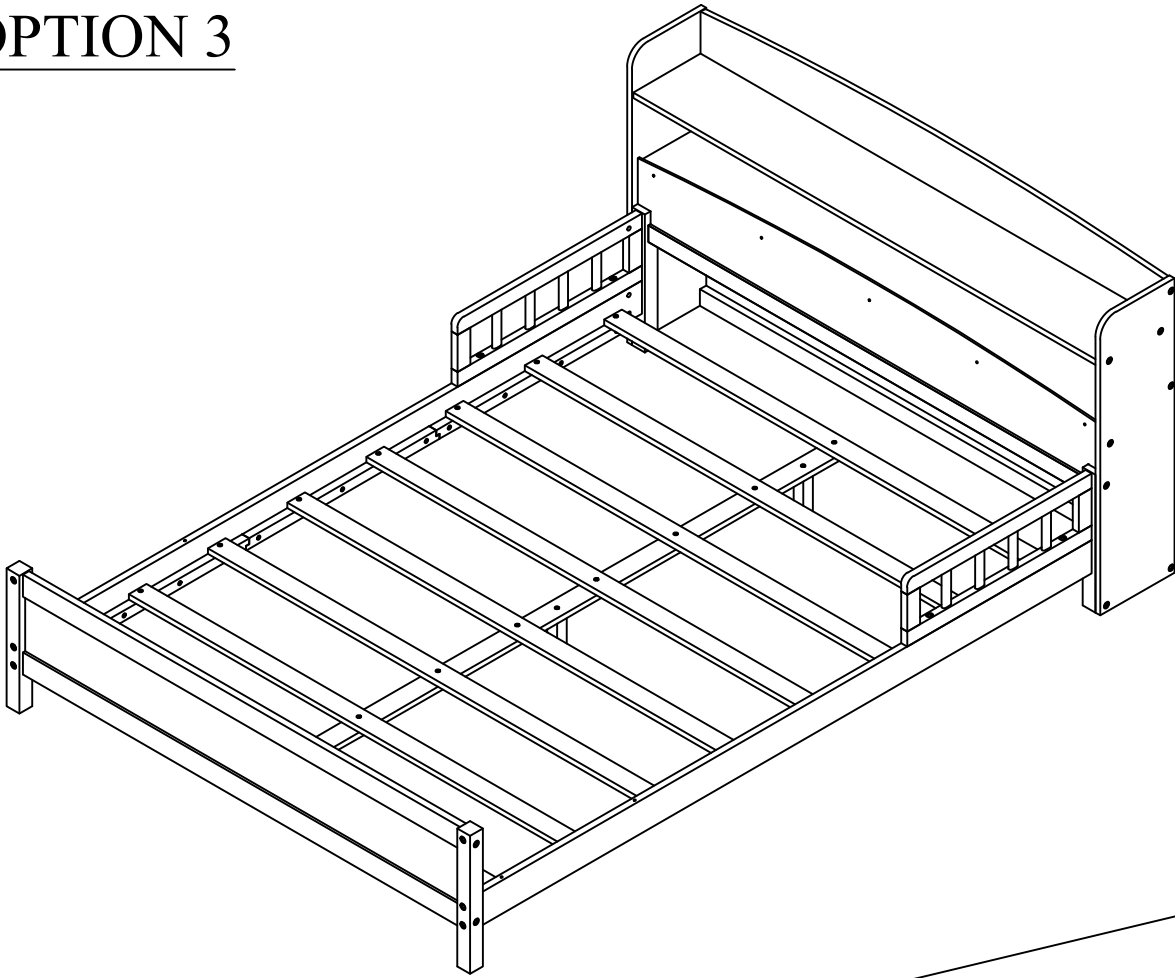
OPTION 1



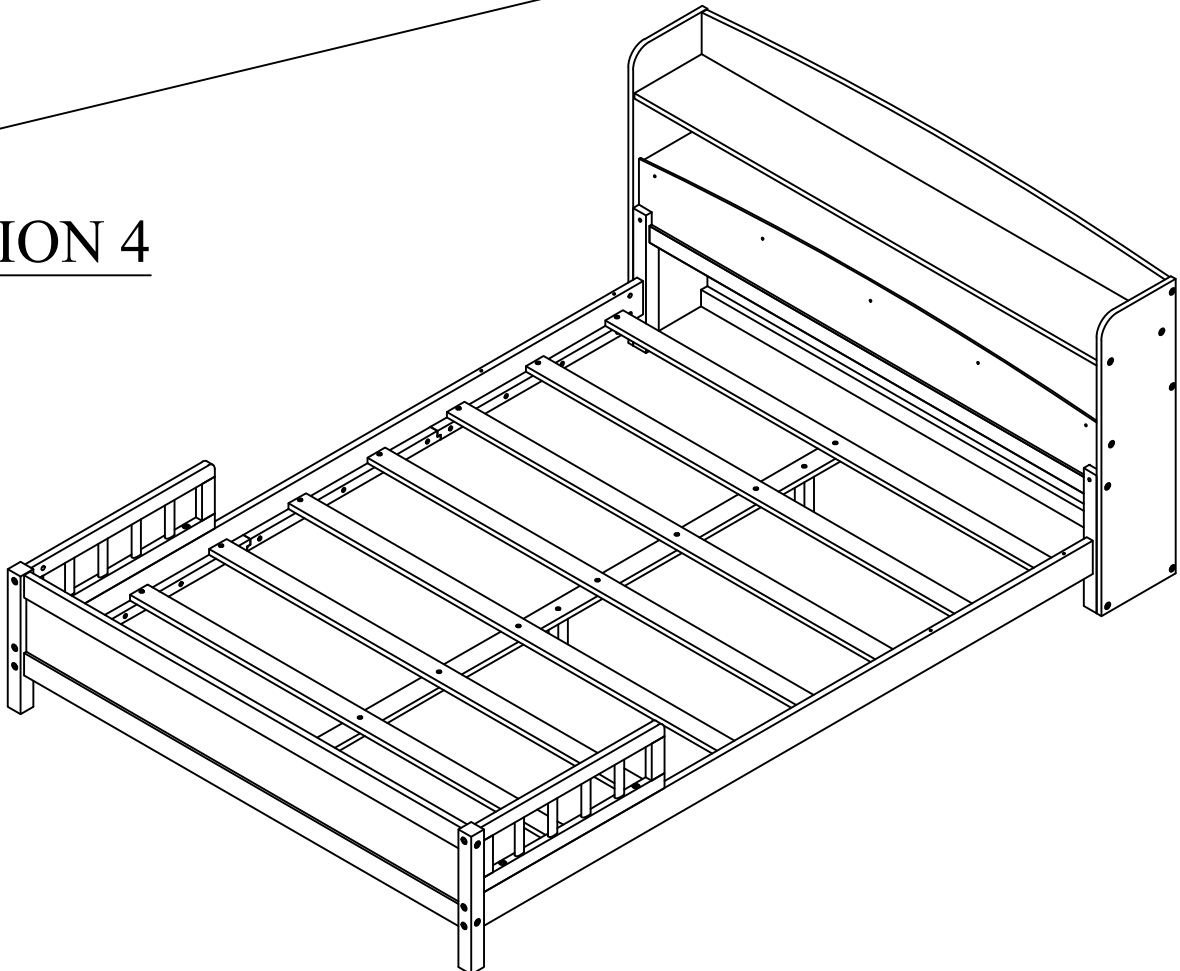
OPTION 2

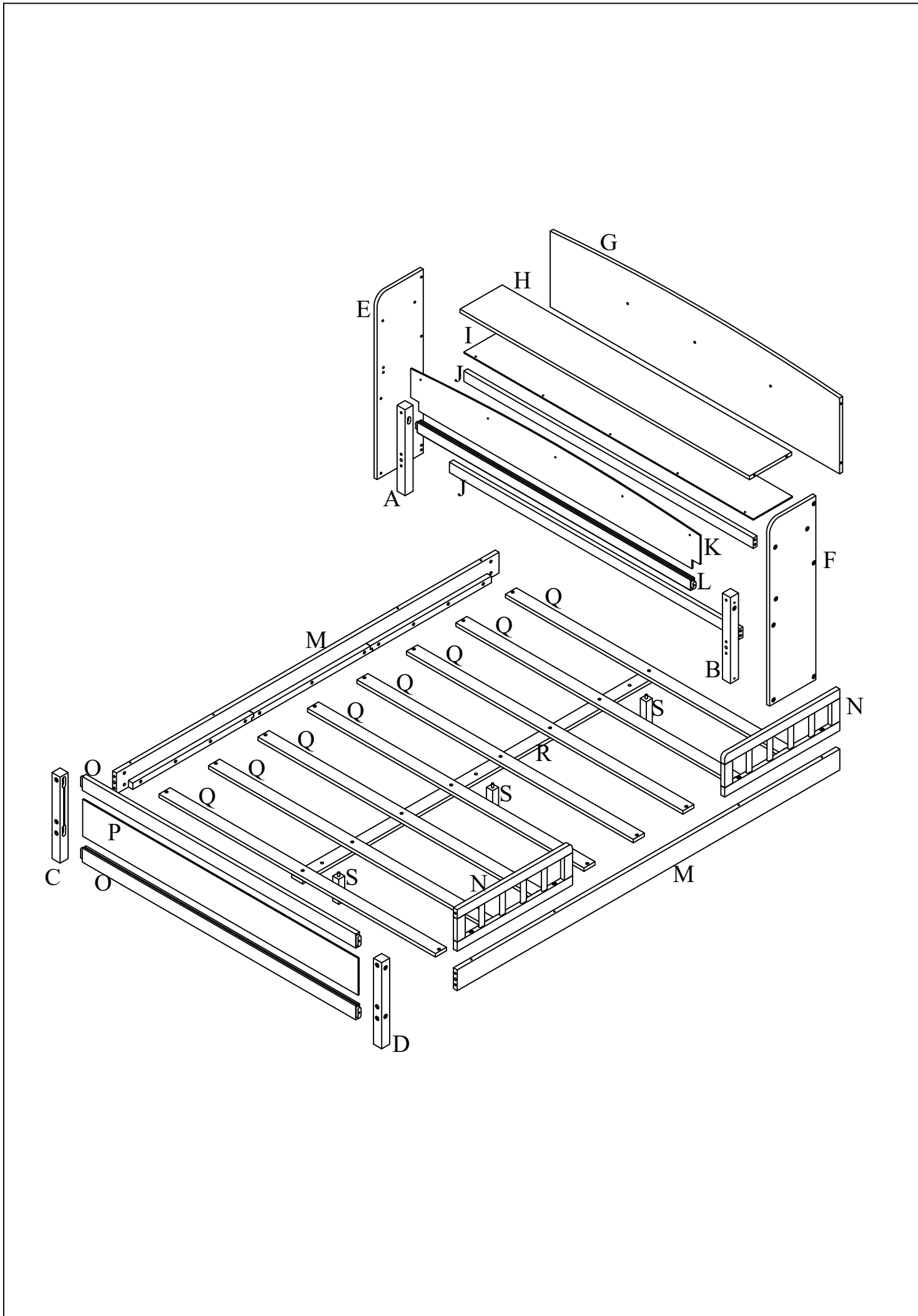


OPTION 3

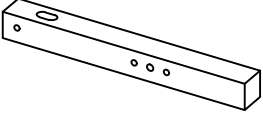
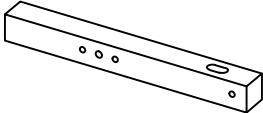
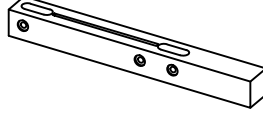
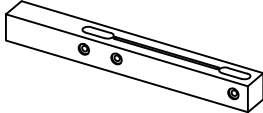
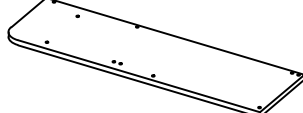
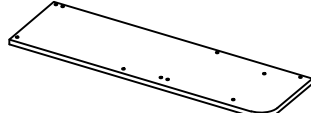
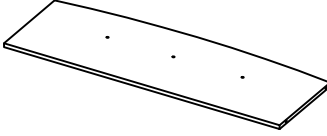
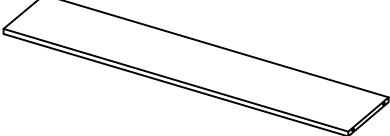
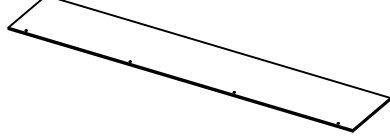
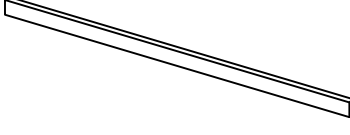
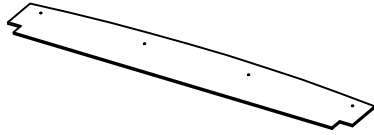

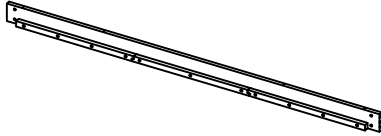
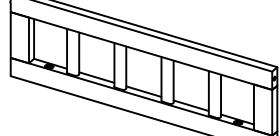
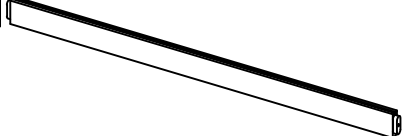
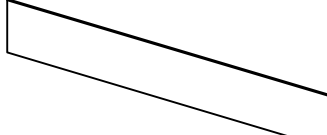
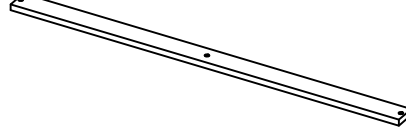



OPTION 4



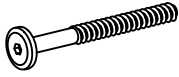
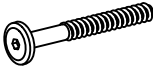



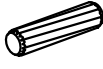
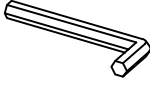

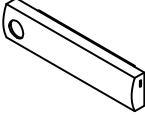






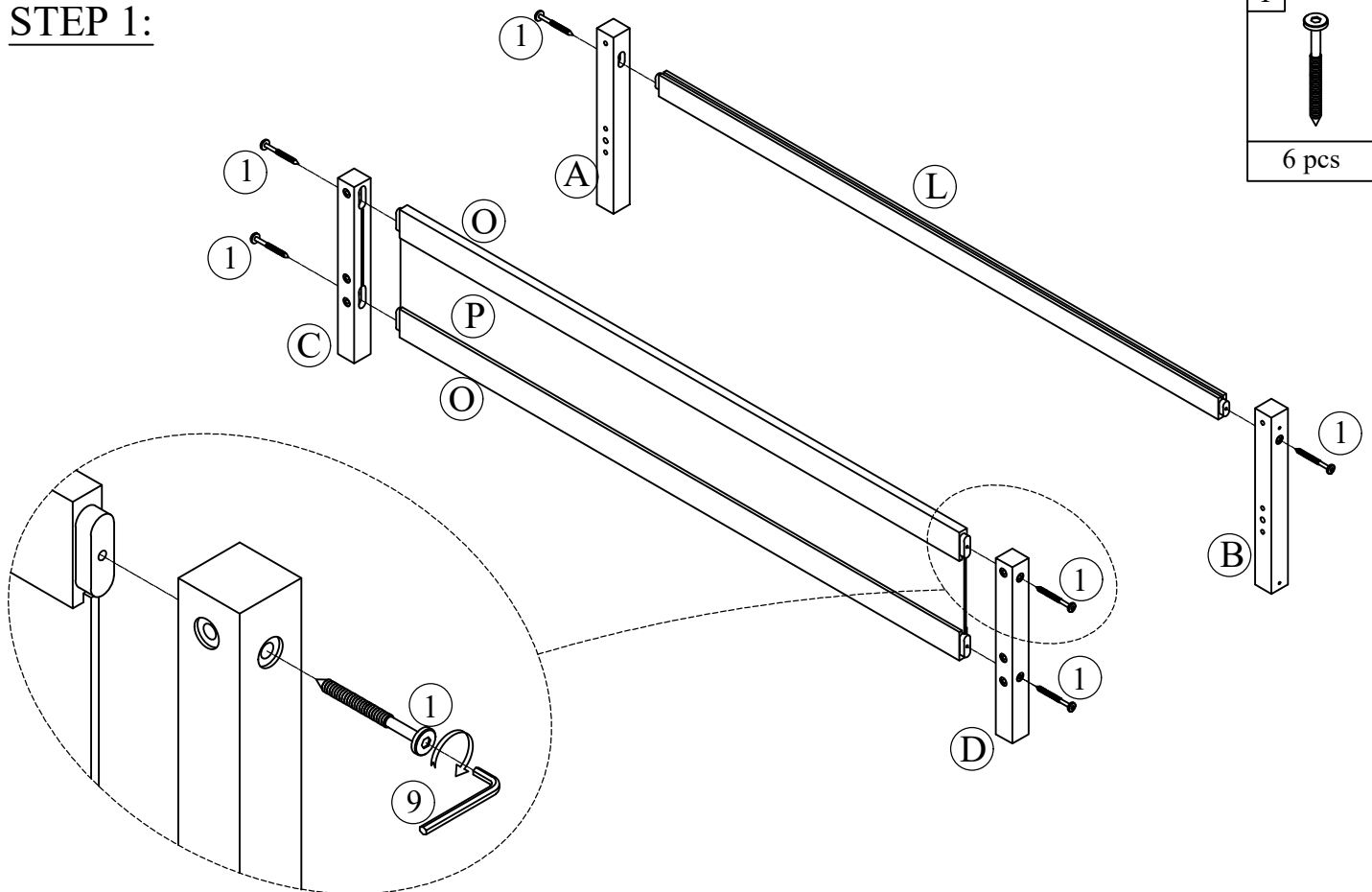
Part List

<p>A</p>  <p>Leg (Left HB) - 1pc</p>	<p>B</p>  <p>Leg (Right HB) - 1pc</p>	<p>C</p>  <p>Leg (Left FB) - 1pc</p>
<p>D</p>  <p>Leg (Right FB) - 1pc</p>	<p>E</p>  <p>Left Panel - 1pc</p>	<p>F</p>  <p>Right Panel - 1pc</p>
<p>G</p>  <p>Back Panel - 1pc</p>	<p>H</p>  <p>Top Panel - 1pc</p>	<p>I</p>  <p>Bottom Panel - 1pc</p>
<p>J</p>  <p>Horizontal bar on/bottom HB - 2pcs</p>	<p>K</p>  <p>Front Panel - 1pc</p>	<p>L</p>  <p>Horizontal bar front HB - 1pc</p>
<p>M</p>  <p>Side rail - 2pcs</p>	<p>N</p>  <p>Frames - 2pcs</p>	<p>O</p>  <p>Horizontal bar FB - 2pcs</p>
<p>P</p>  <p>Panel FB- 1pc</p>	<p>Q</p>  <p>Slats- 8pcs</p>	<p>R</p>  <p>Center Support Bar - 1pc</p>

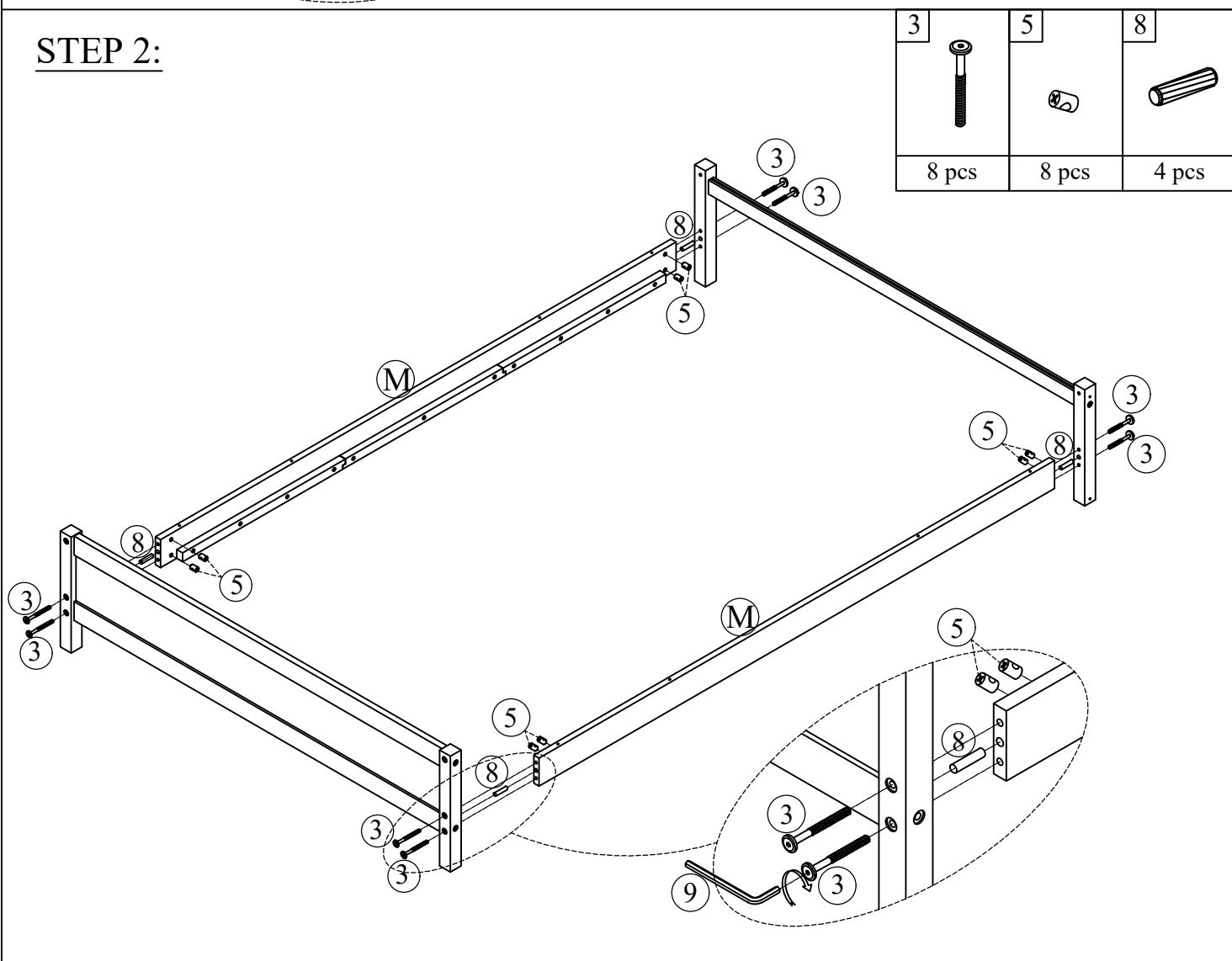
Hardware List

1	 (Ø15) 1/4"*70	2	 (Ø15) 1/4"*40	3	 (Ø15) 1/4"*90
Screws (10pcs)		Screws (4pcs)		Hex-Head bolts (10pcs)	
4	 (Ø15) 1/4"*70	5	 1/4"*15 (9.5mm)	6	 Ø4*20mm
Hex-Head bolts (13pcs)		Horizontal-Hole bolts (23pcs)		Wood screws (10pcs)	
7	 Ø4*25mm	8	 Ø10*40mm	9	
Wood screws (24pcs)		Wood dowel (4pcs)		Allen Key (1pc)	
10	 Ø8*30mm	11		12	
Wood dowel (6pcs)		Led Light (1pc)		Charger (1pc)	
S					
Center Support legs- 3pcs					

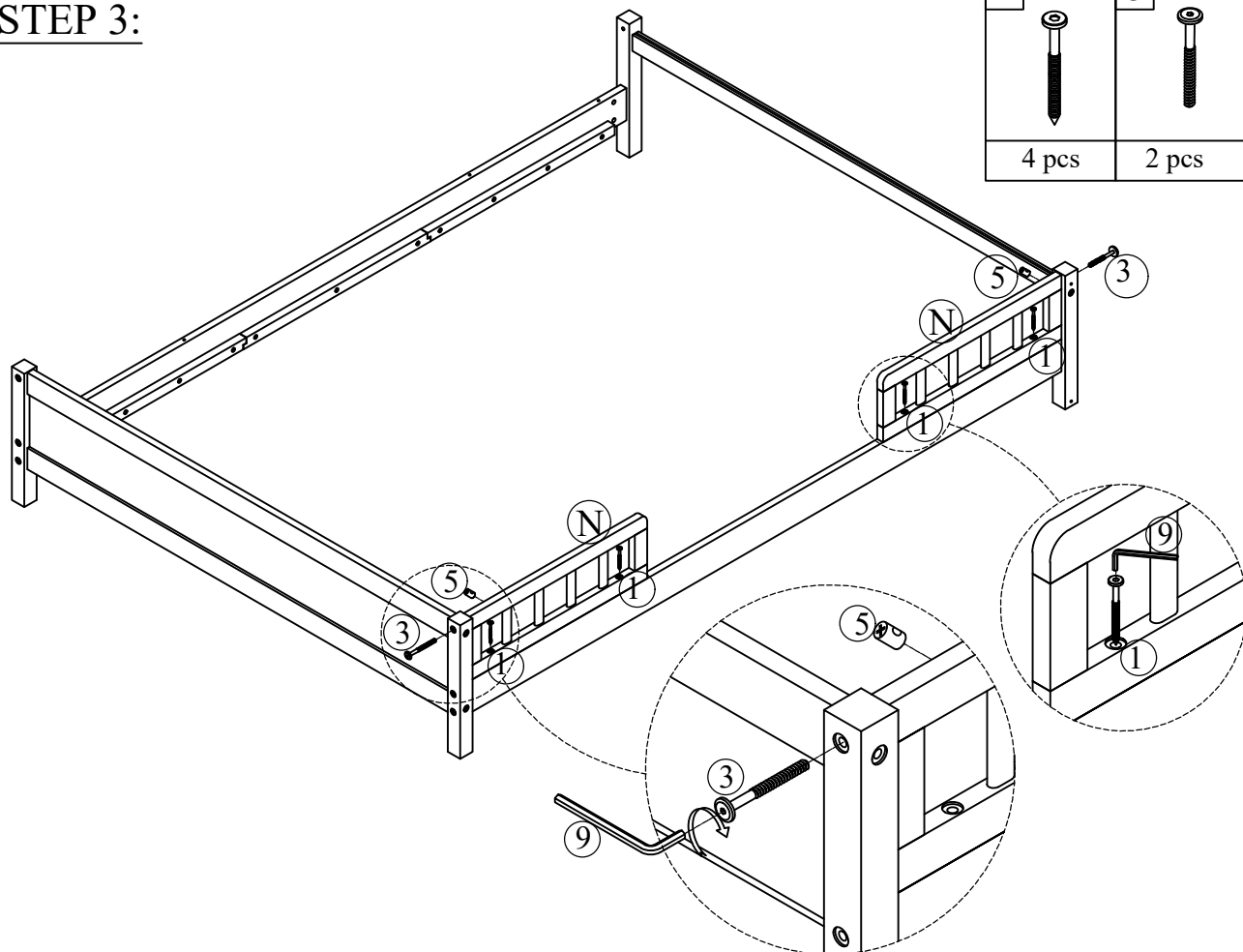
STEP 1:






STEP 2:

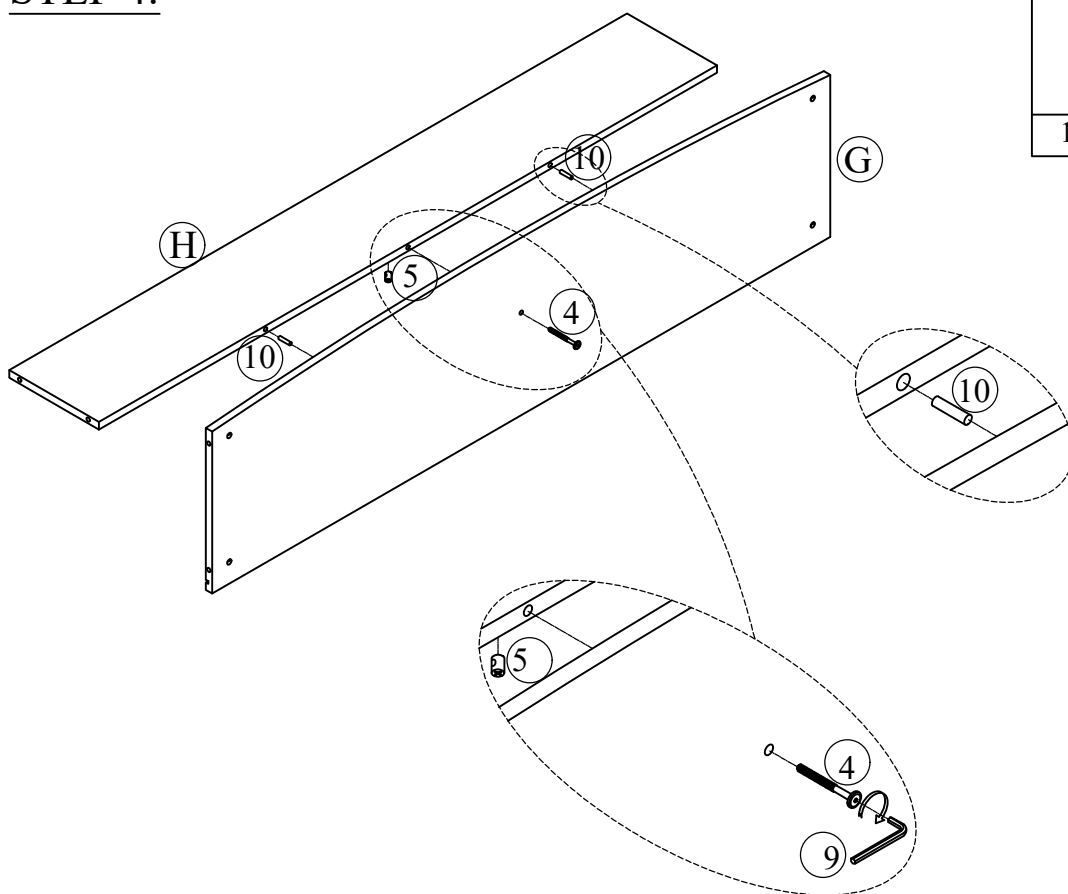





STEP 3:



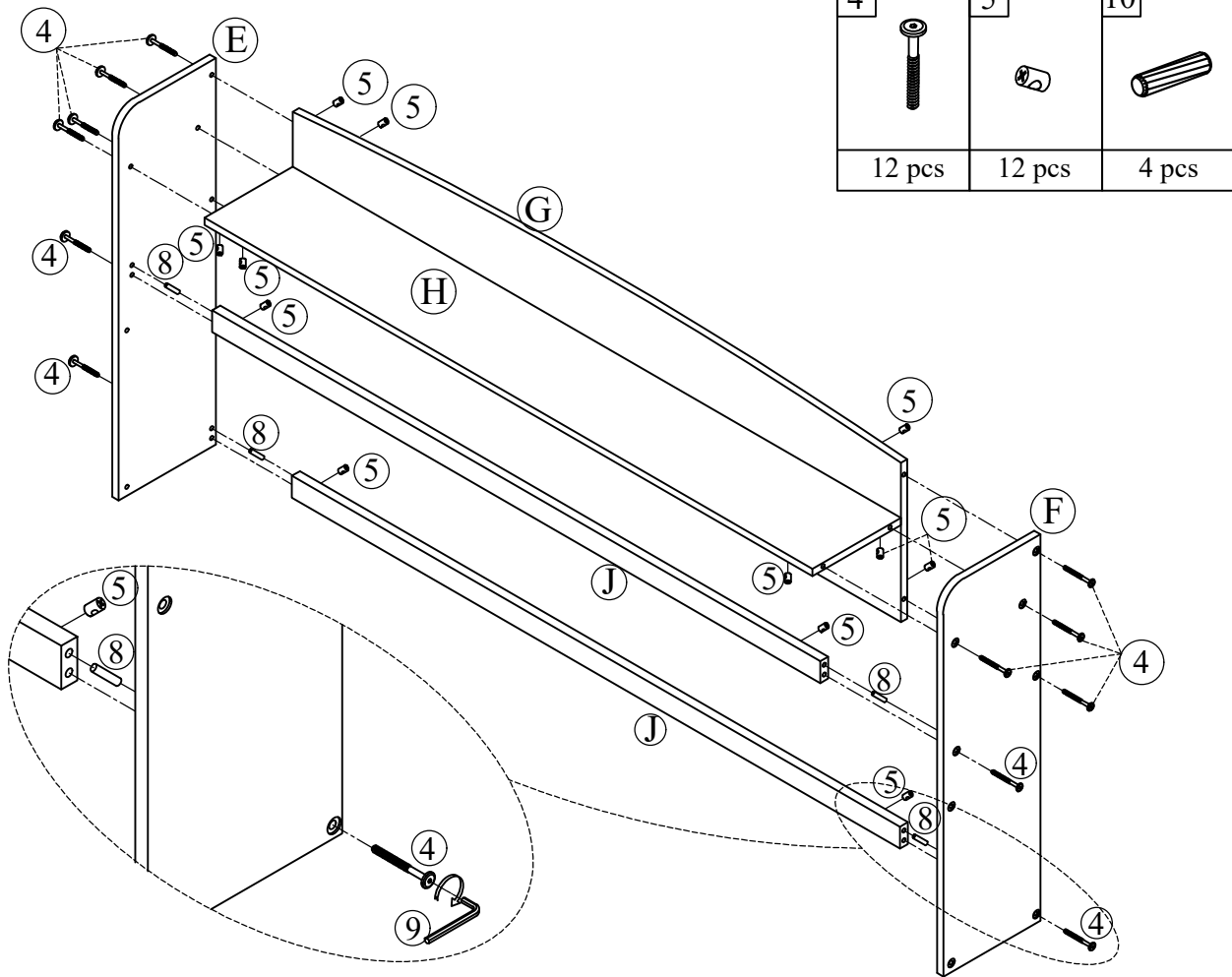
1	3	5
		
4 pcs	2 pcs	2 pcs

STEP 4:

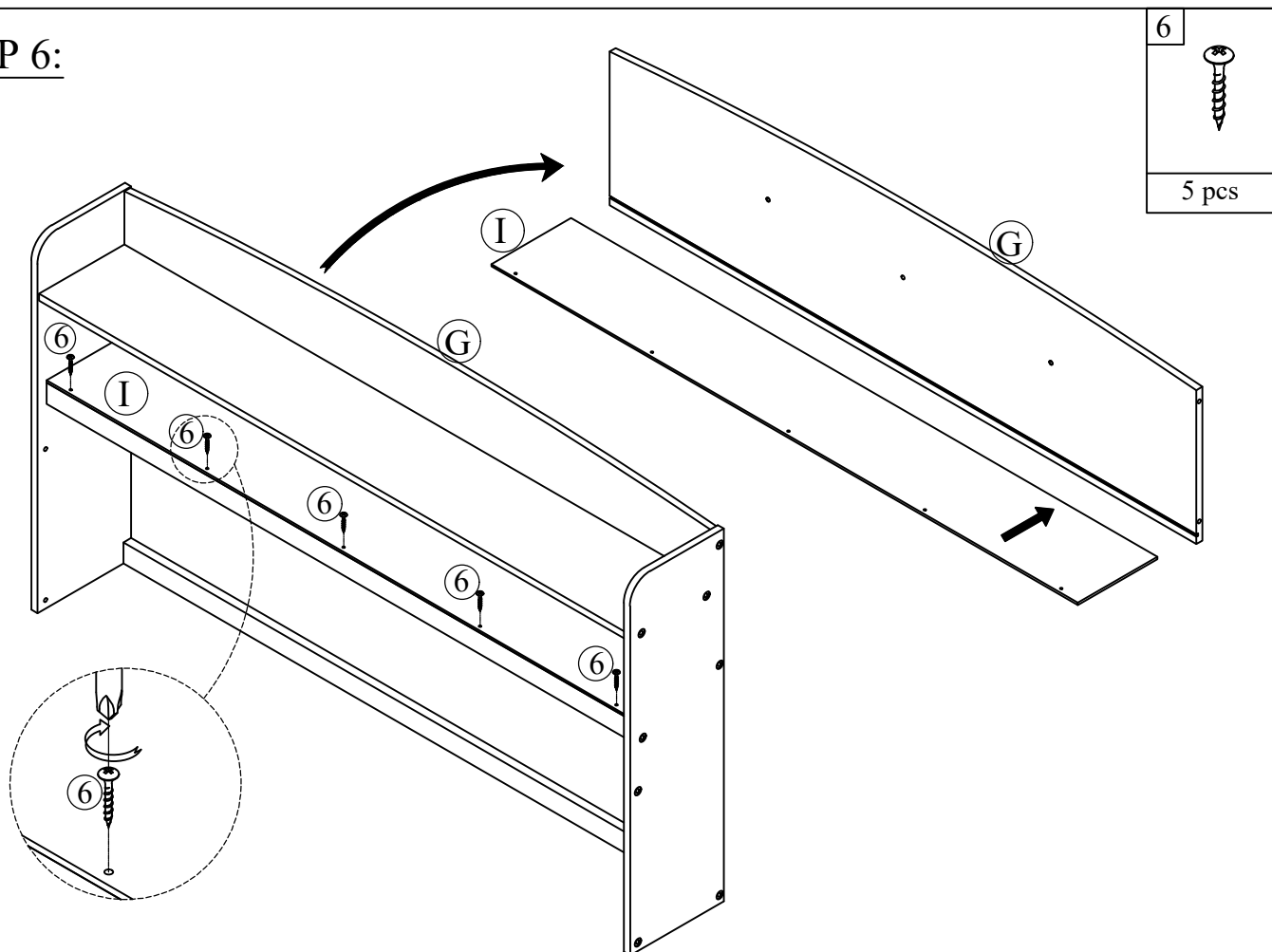


4	5	10
		
1 pc	1 pc	2 pcs

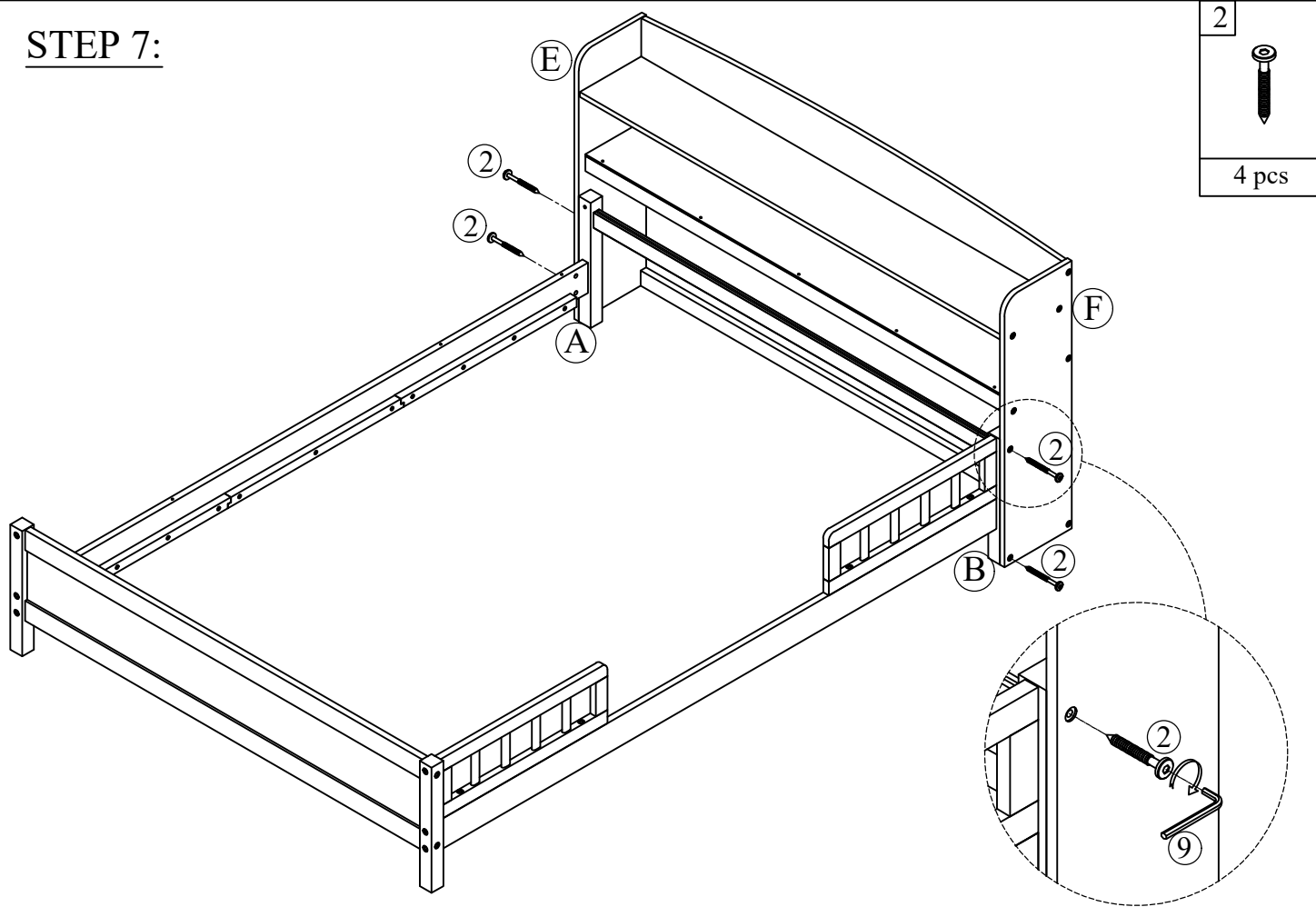
STEP 5:



STEP 6:

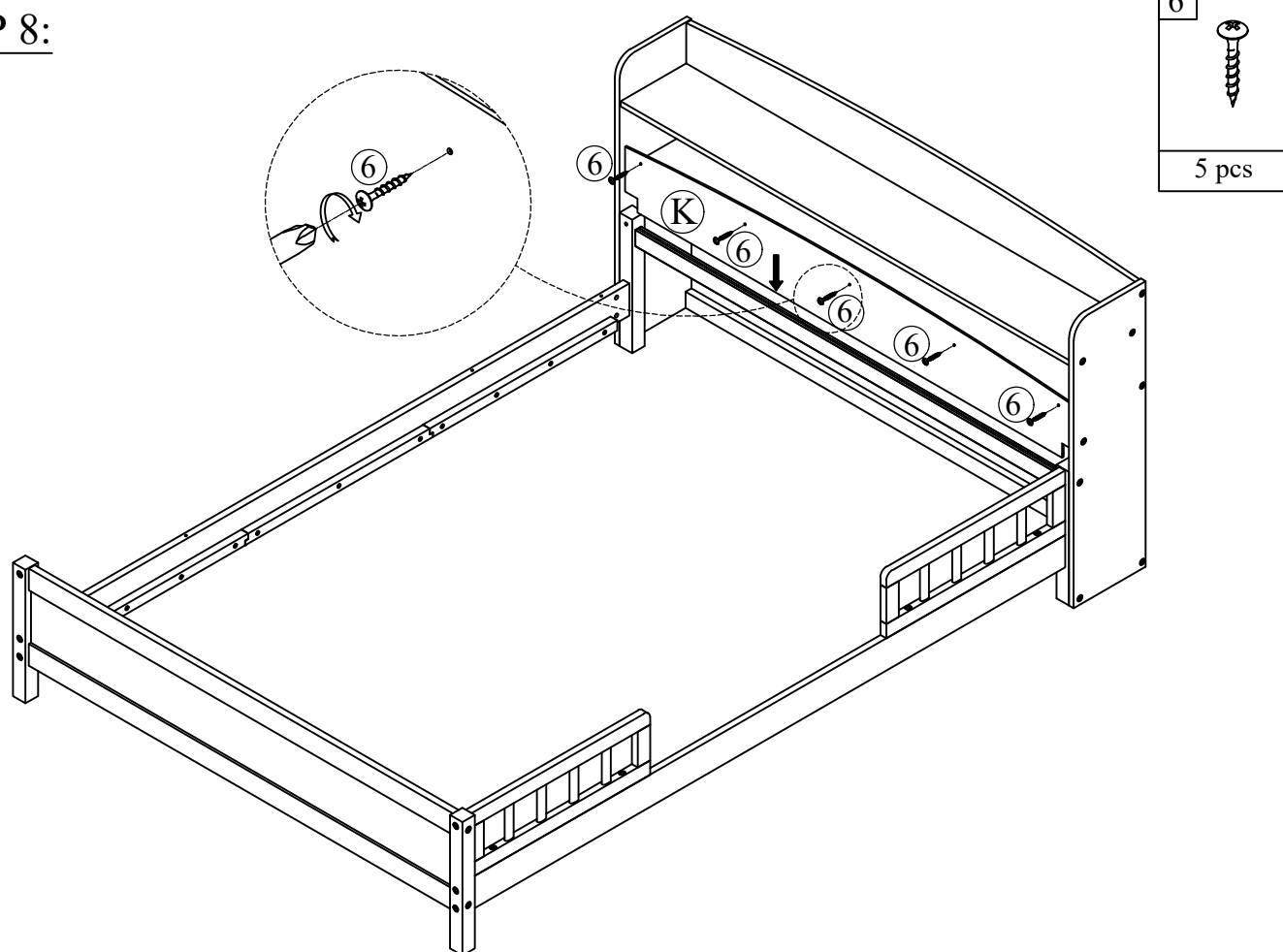


STEP 7:



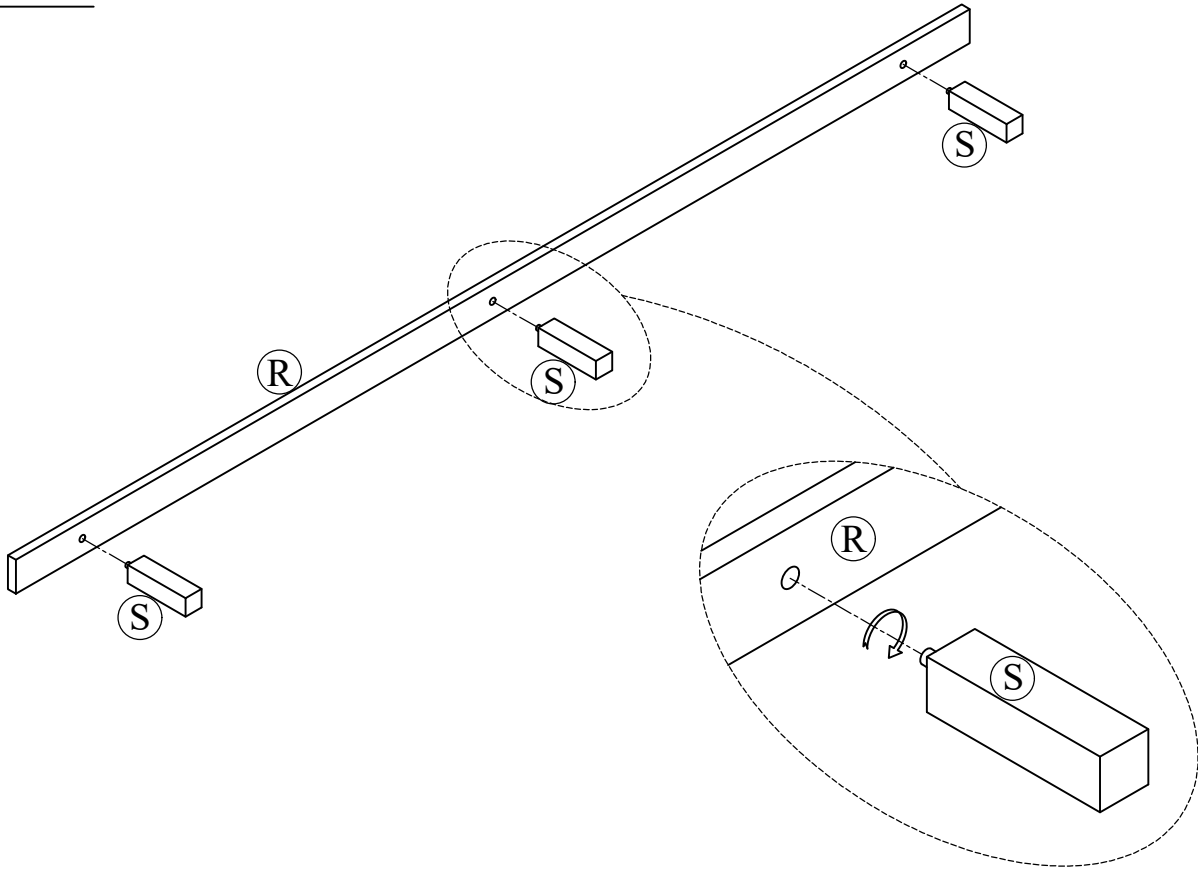
2
4 pcs

STEP 8:

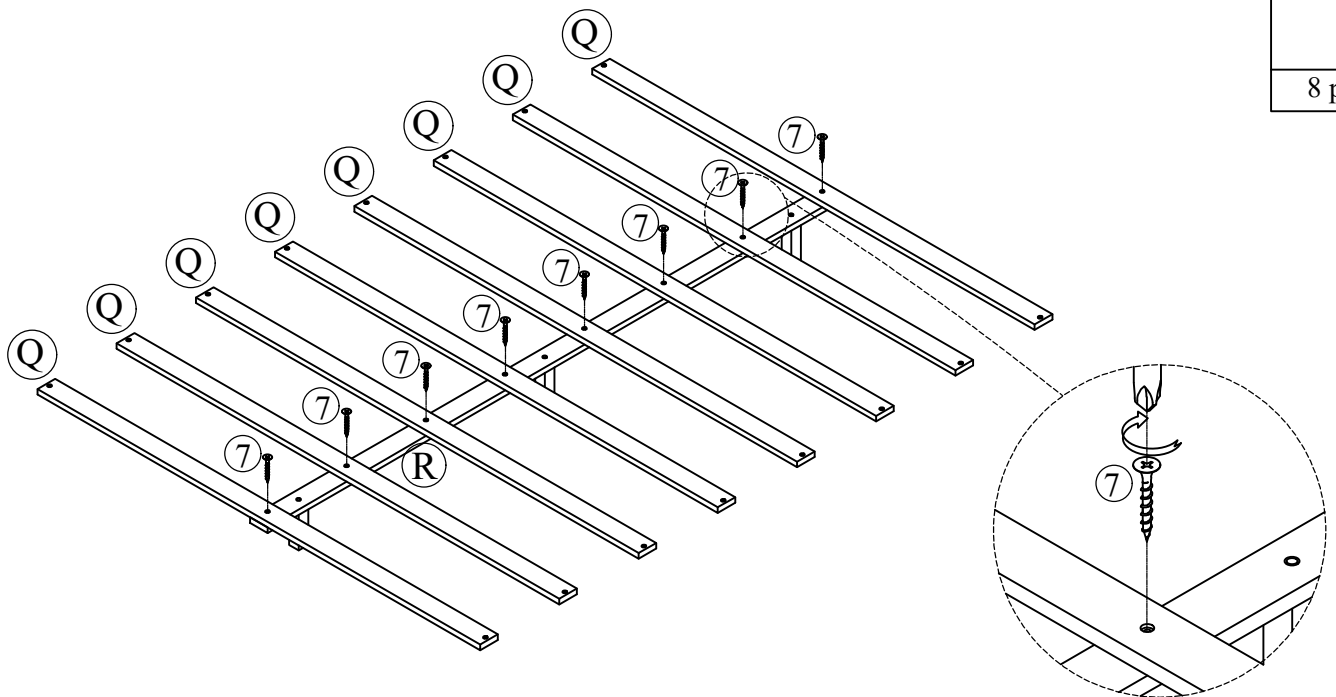


6
5 pcs

STEP 9:

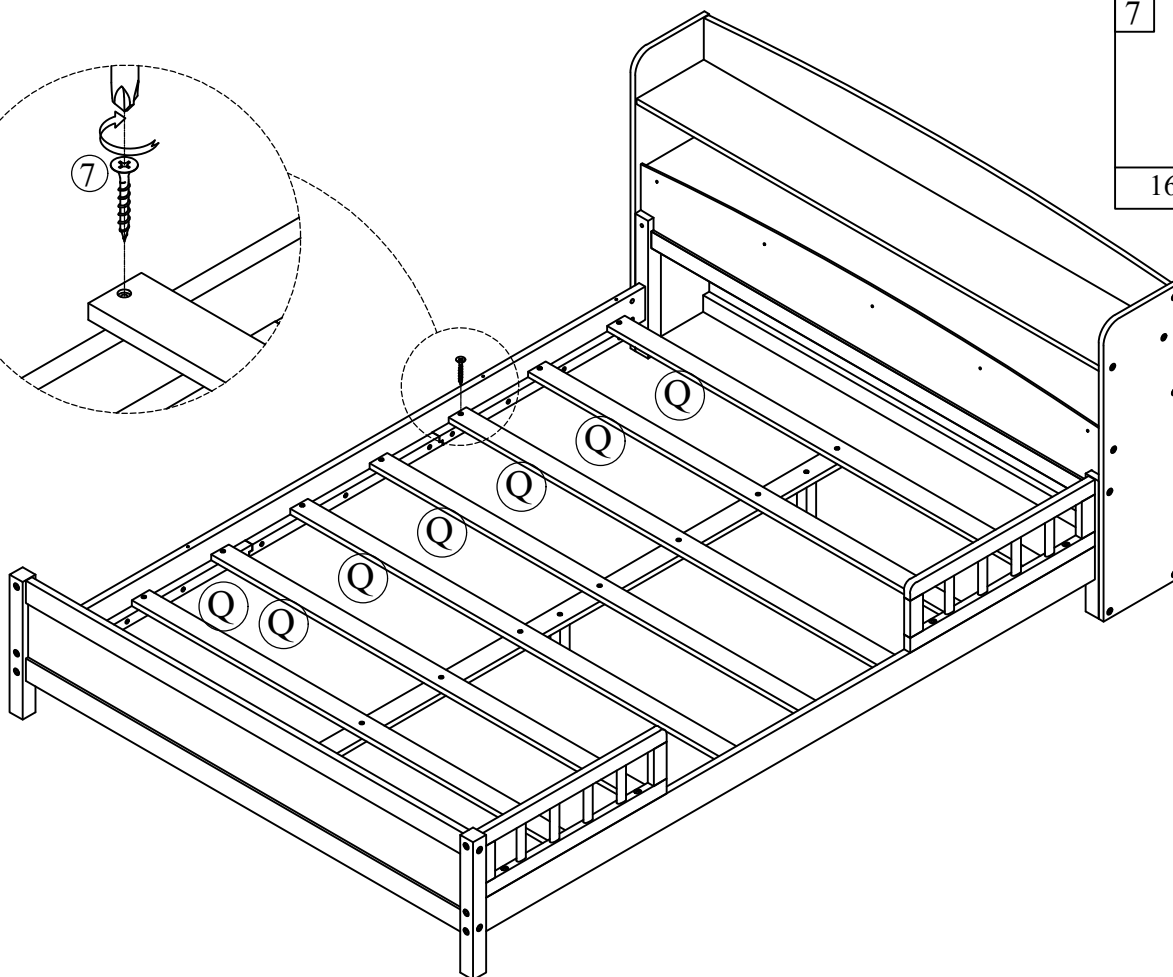
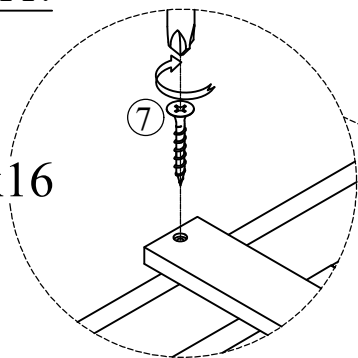


STEP 10:

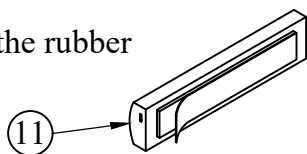


STEP 11:

x16



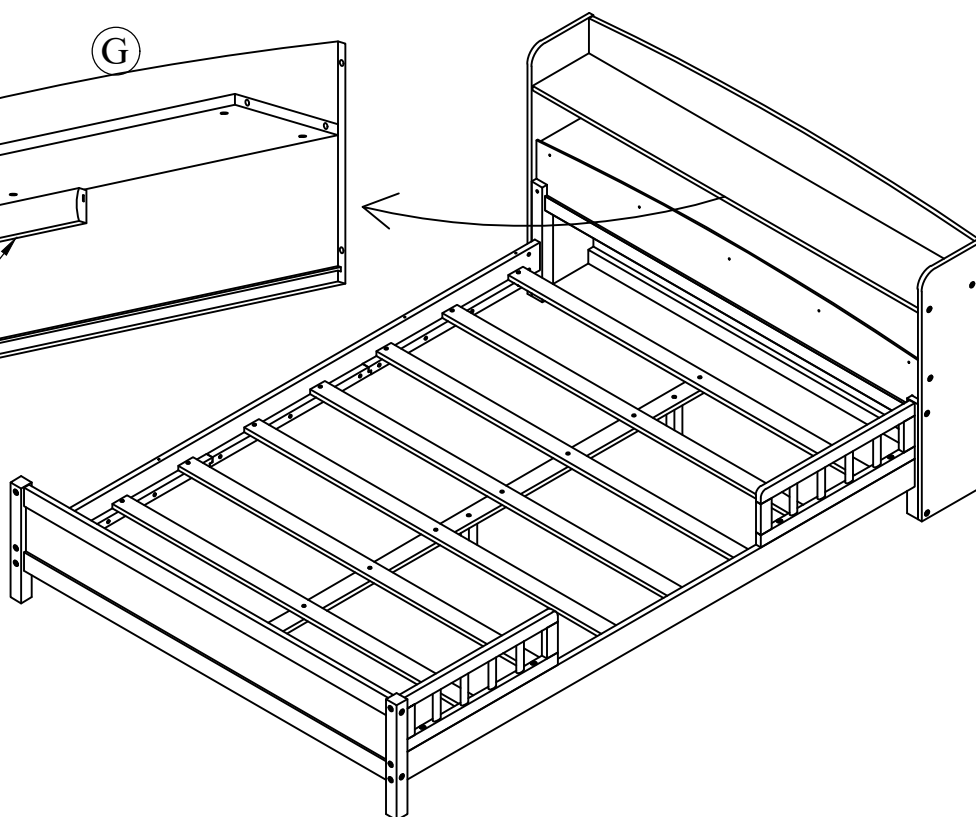
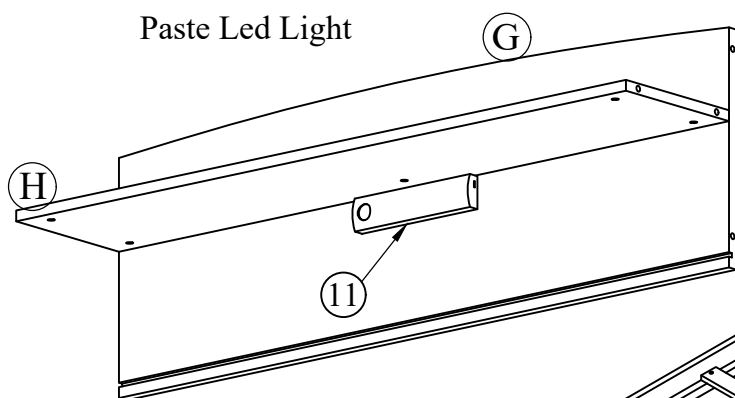
STEP 12: Peel off the rubber



Please see the instruction manual in the LED light box to learn how to use the light.

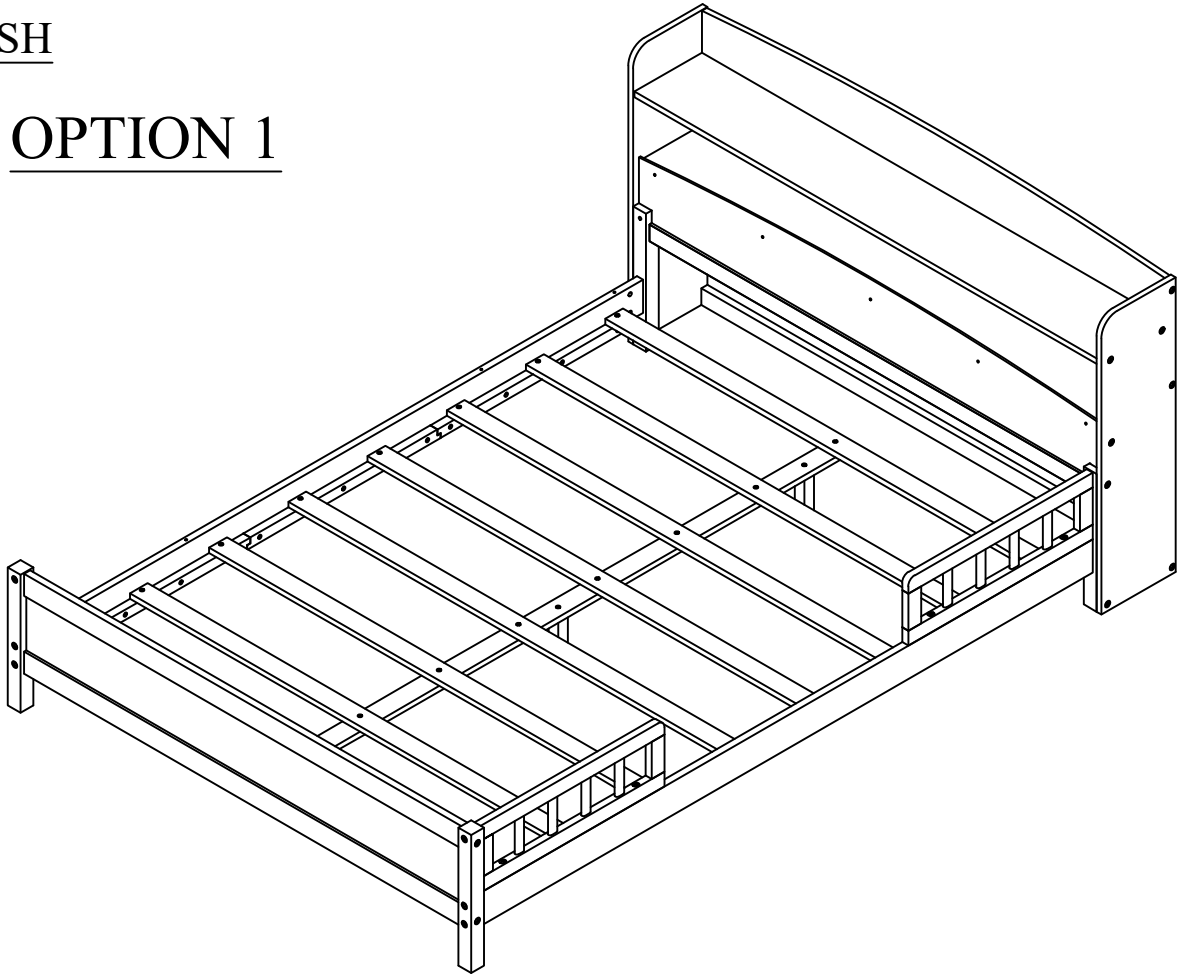
STEP 13:

Paste Led Light

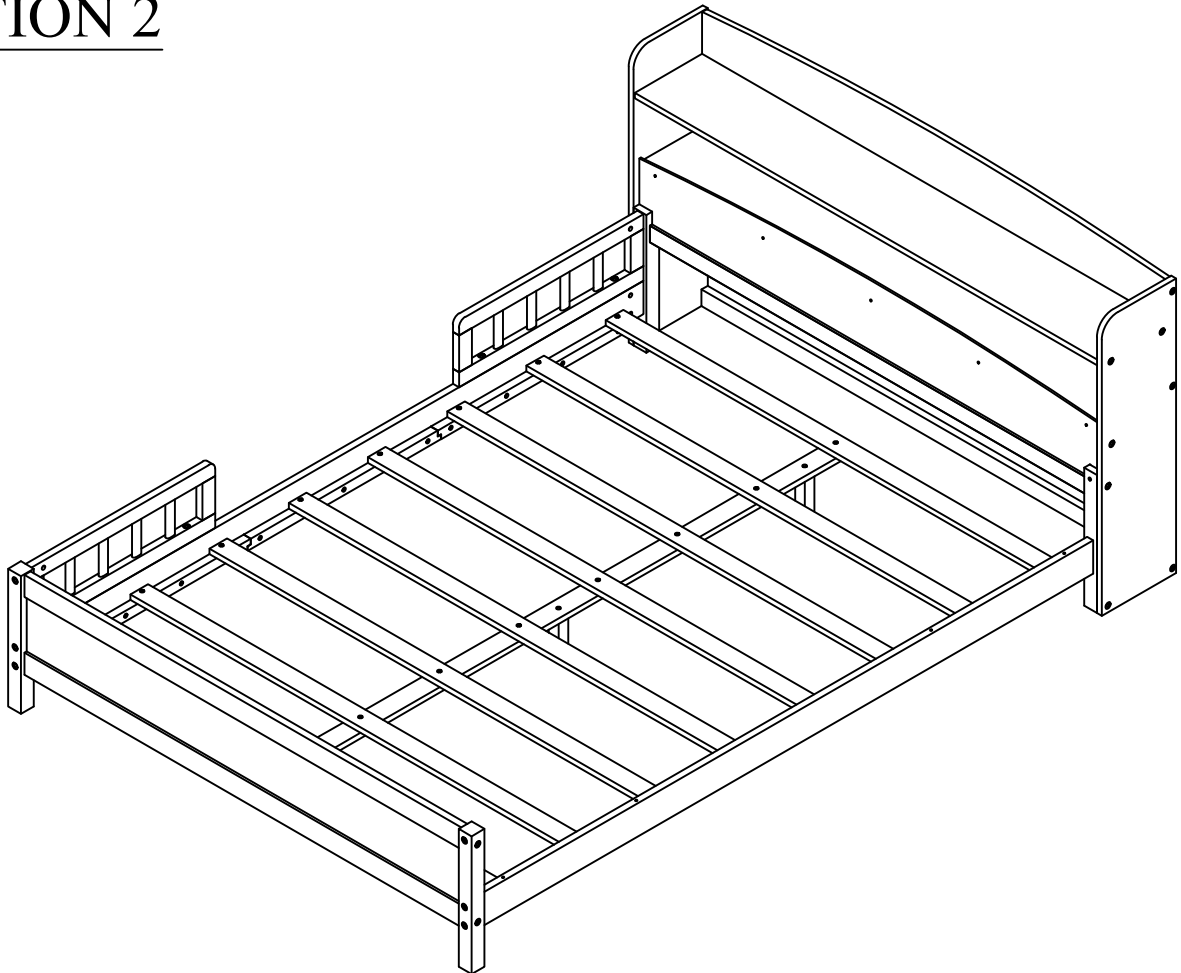


FINISH

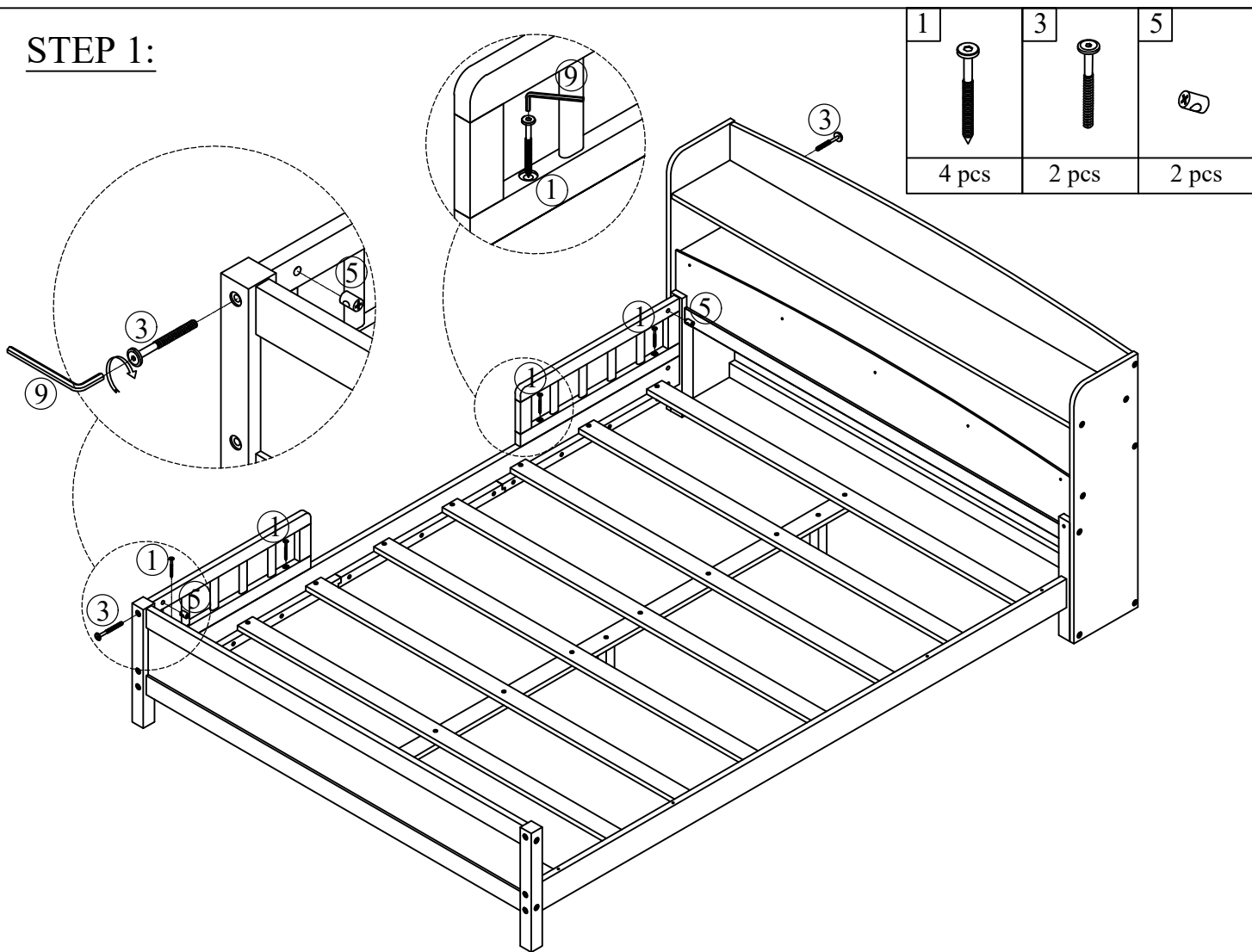
OPTION 1



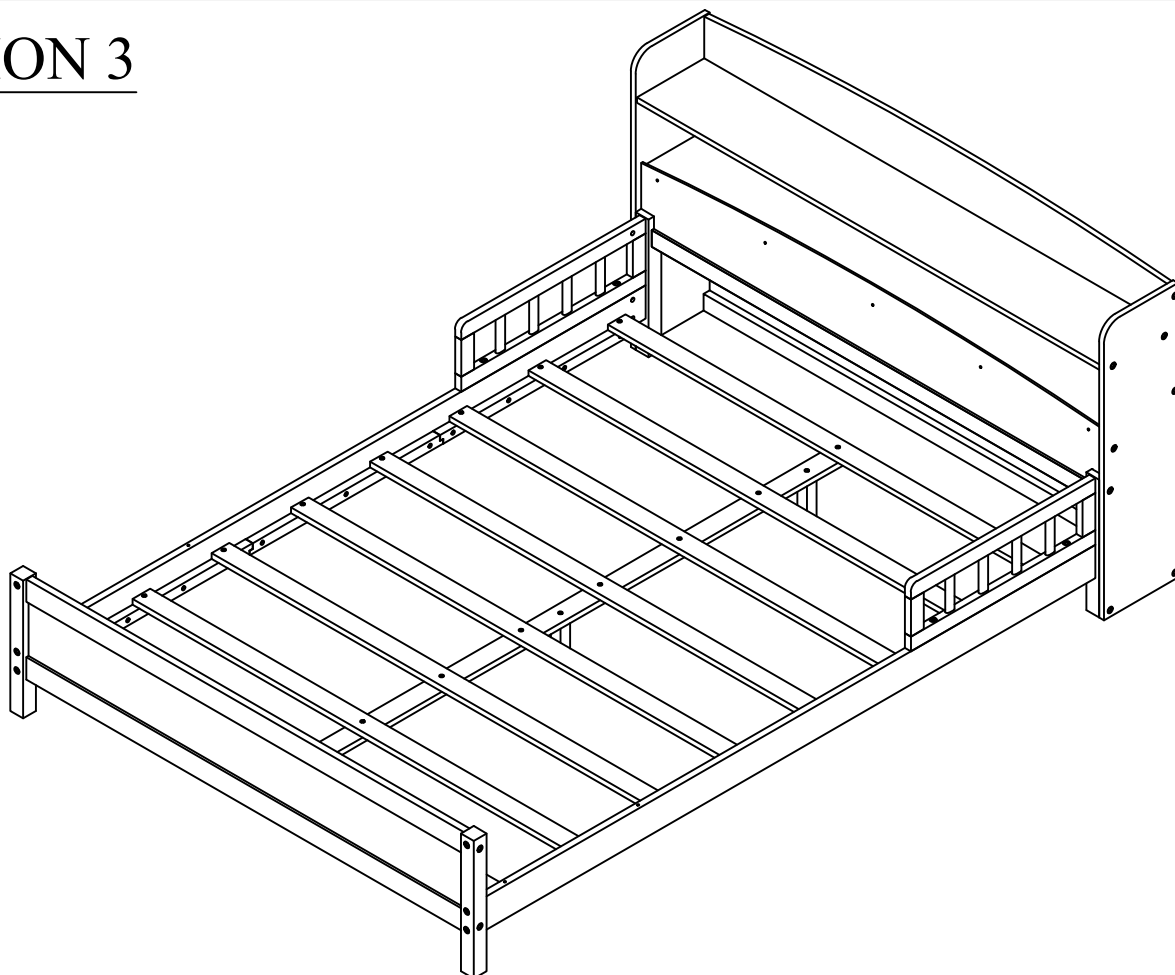
OPTION 2



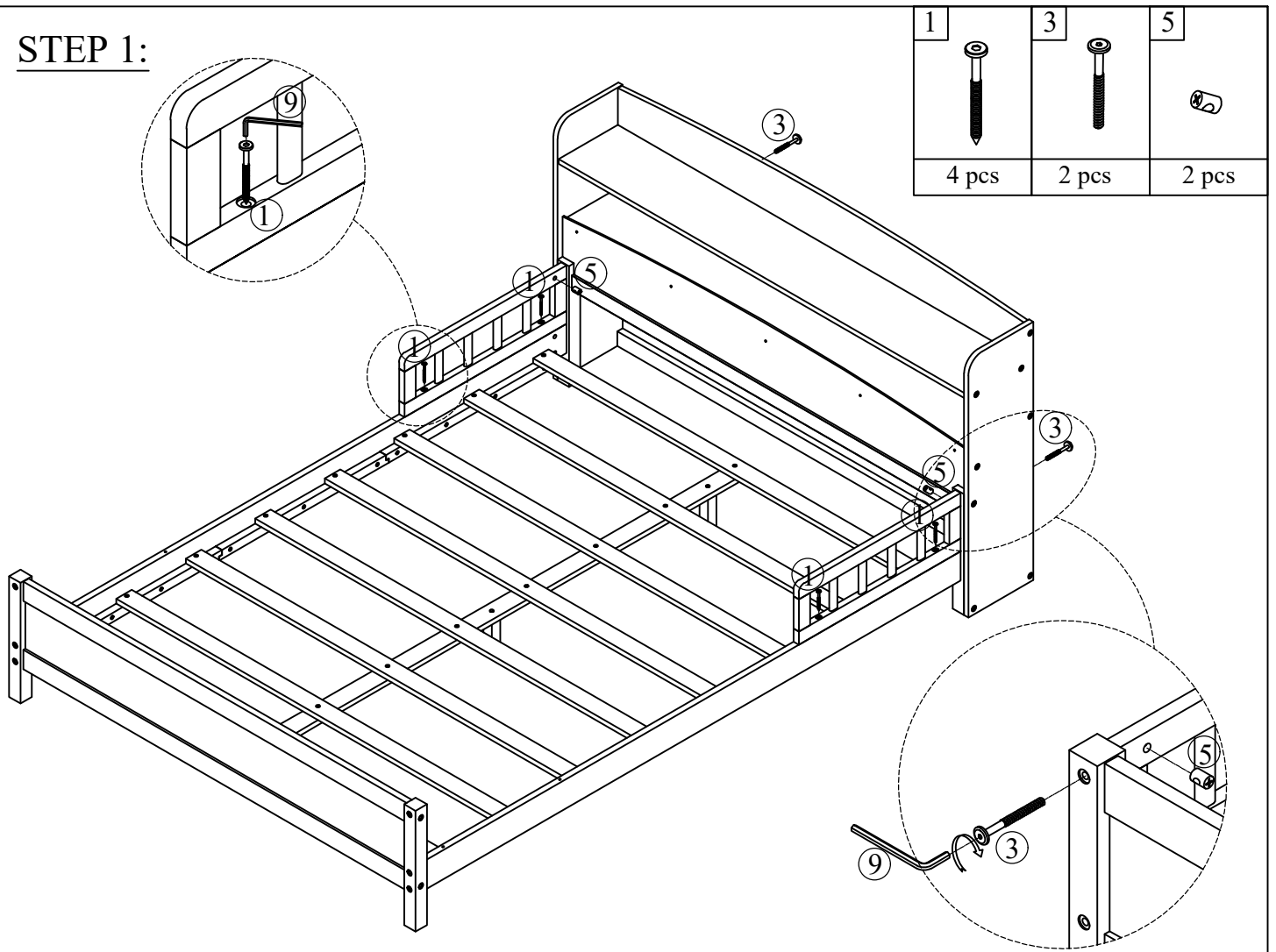
STEP 1:



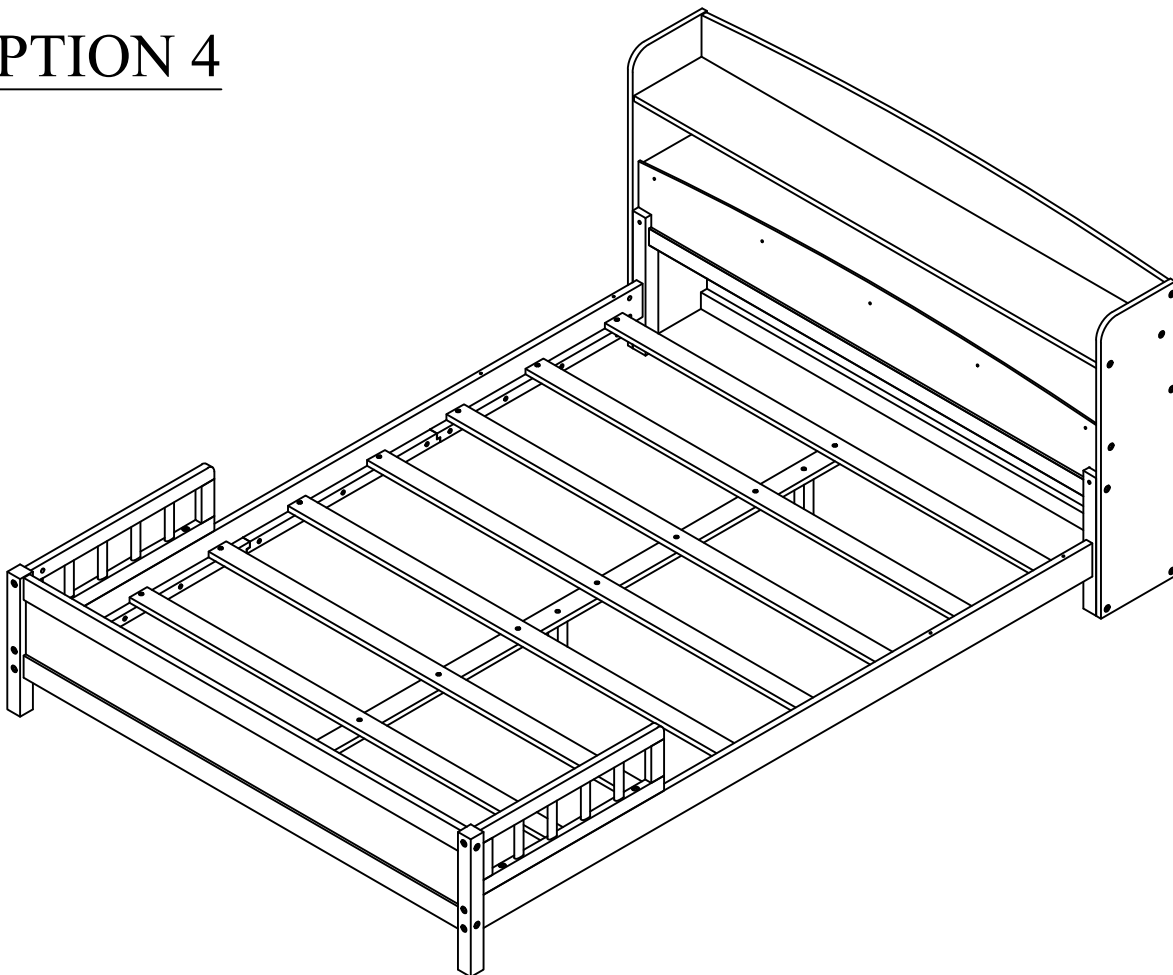
OPTION 3






STEP 1:



OPTION 4



STEP 1:

1	3	5
		
4 pcs	2 pcs	2 pcs

