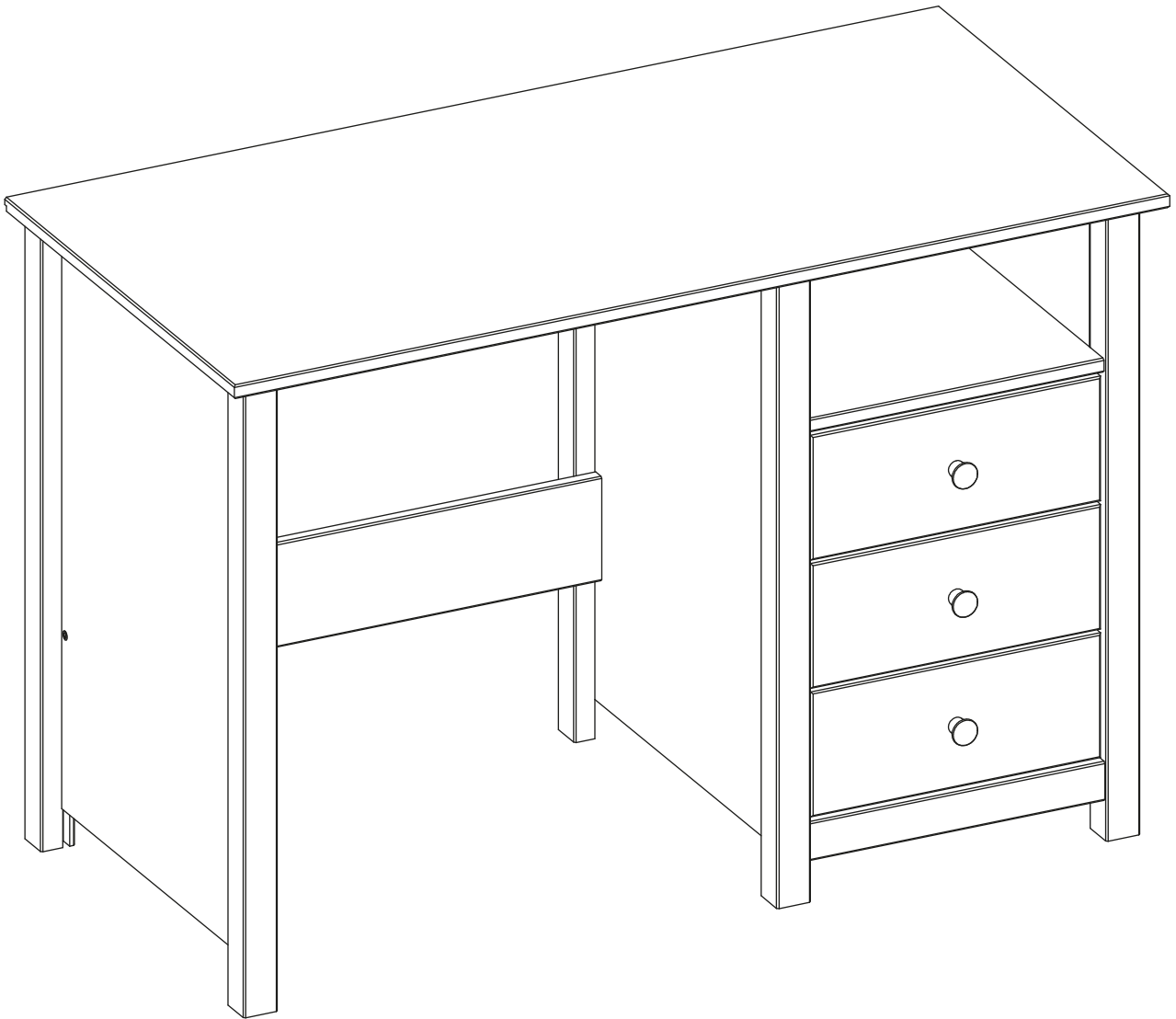
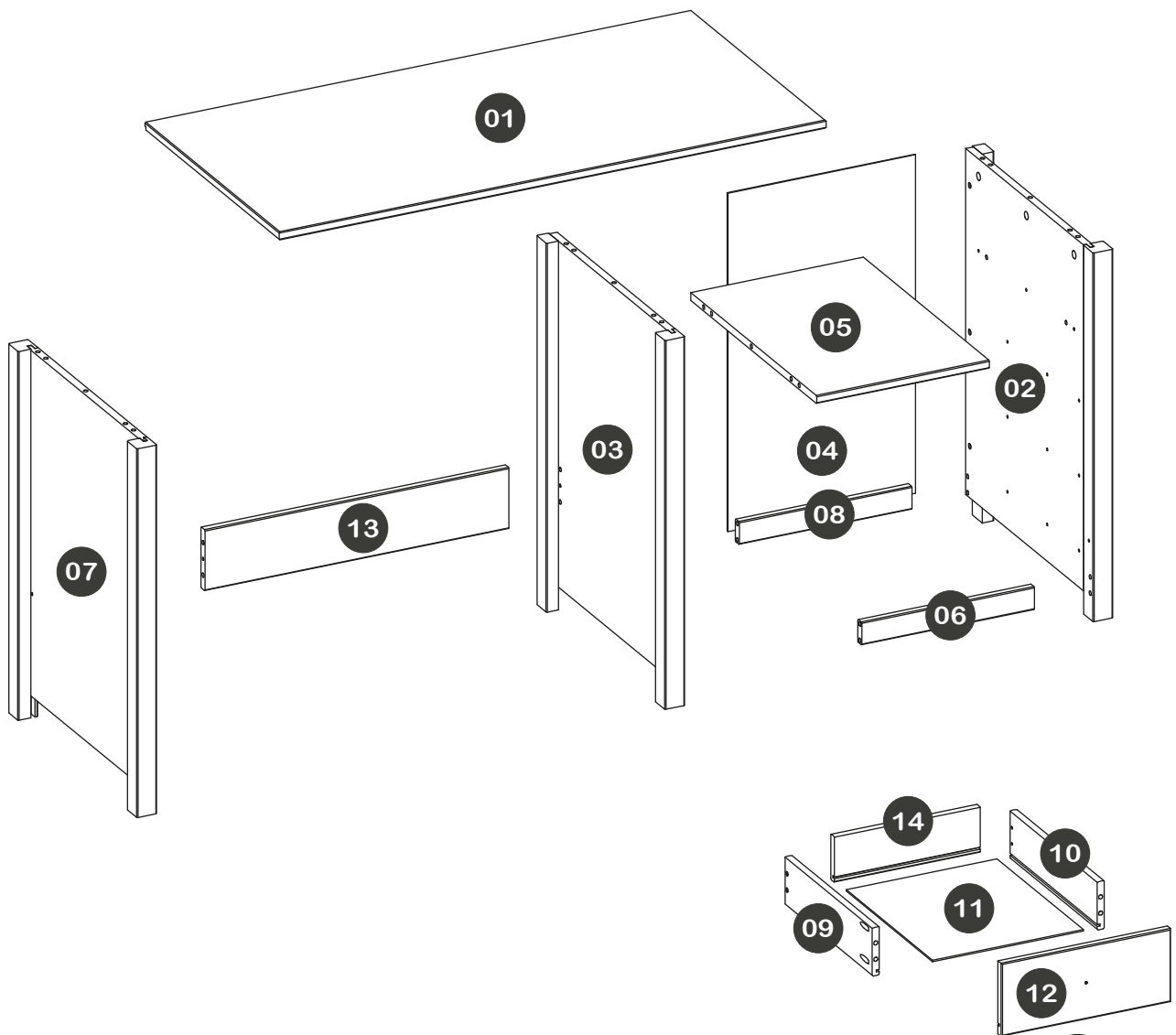


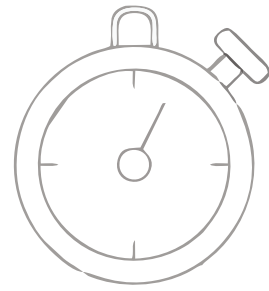
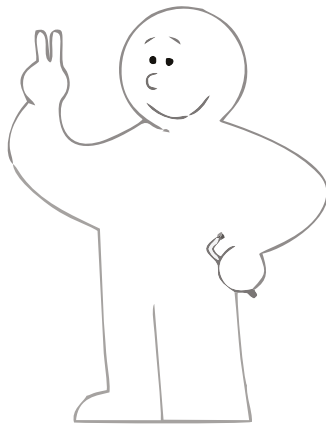
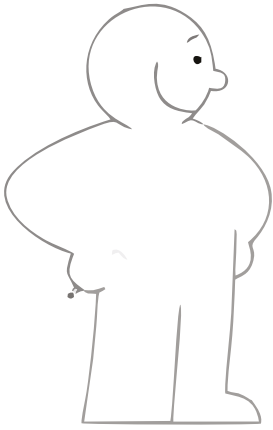
3 DRAWER DESK



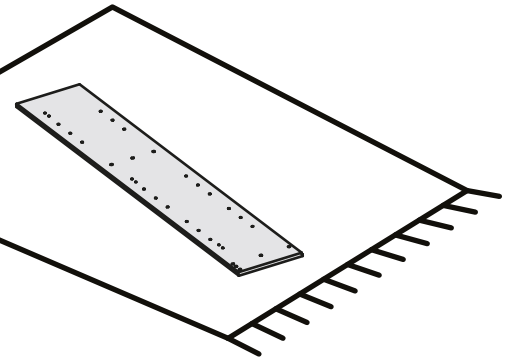
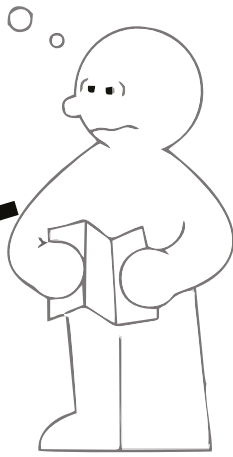
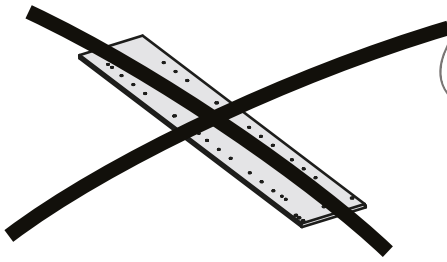


3x

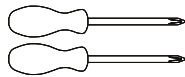
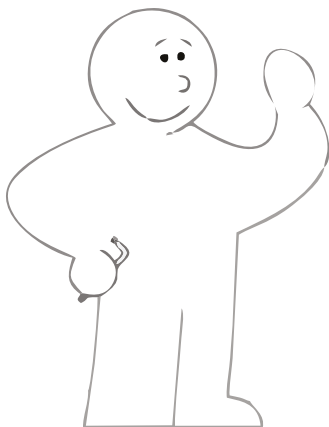
Part	Description	Dimensions (in)	Qty.
01	Top panel	43,3 x 21,3	01
02	Right side panel	28,5 x 20,4	01
03	Partition panel	28,5 x 20,4	01
04	Back panel	26,1 x 13,3	01
05	Shelf	26,7 x 19,2	01
06	Front rail	13,7 x 1,8	01
07	Left side panel	28,5 x 20,4	01
08	Back rail	13,7 x 1,8	01
09	Drawer left side panel	13,8 x 3,7	03
10	Drawer right side panel	13,8 x 3,7	03
11	Drawer bottom panel	11,9 x 13,7	03
12	Drawer front panel	13,4 x 5,6	03
13	Central rail	24,1 x 4,7	01
14	Drawer back panel	11,5 x 3,5	03



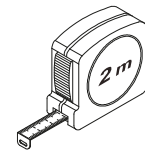
60 Min



Tools required



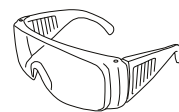
**Phillips screwdriver
(medium & large)**



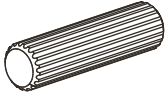


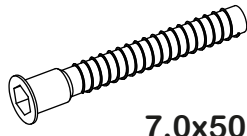

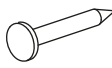
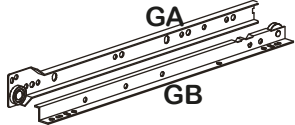
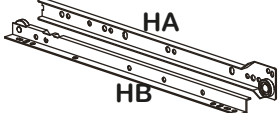


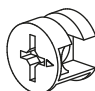
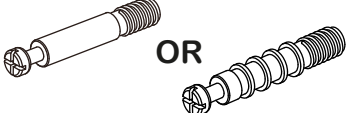

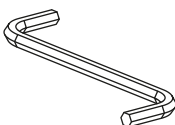
**Ruler/tape
measure**



**Small
hammer**



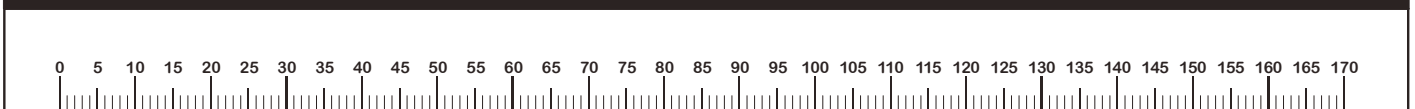
**Eye protection
(when using a
hammer or glue)**

A	 8x30mm	34	B	 3,5x30mm	33
C	 3,0x16mm	20	D	 7,0x50mm	02
E	 6,0x10mm	18	F		14
G	 LEFT SET 350mm	03	H	 350mm RIGH SET	03
I		02	J		04
K		15	L	 OR	15
M		03	N		01

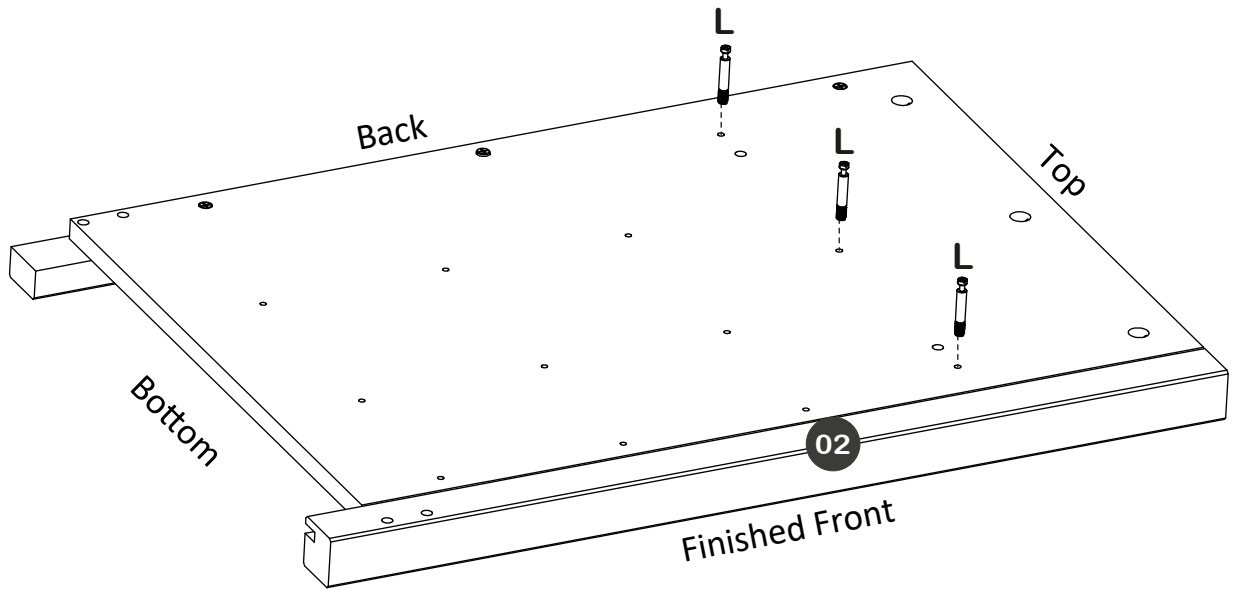
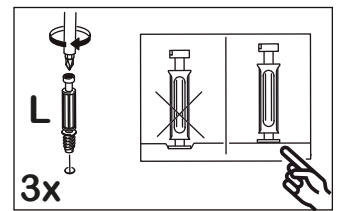



HARDWARE IS LOCATED INSIDE A CARDBOARD BOX! CHECK FOR IT BEFORE DISPOSING PACKAGING

Ruler - Use this ruler to help correctly identify the screws

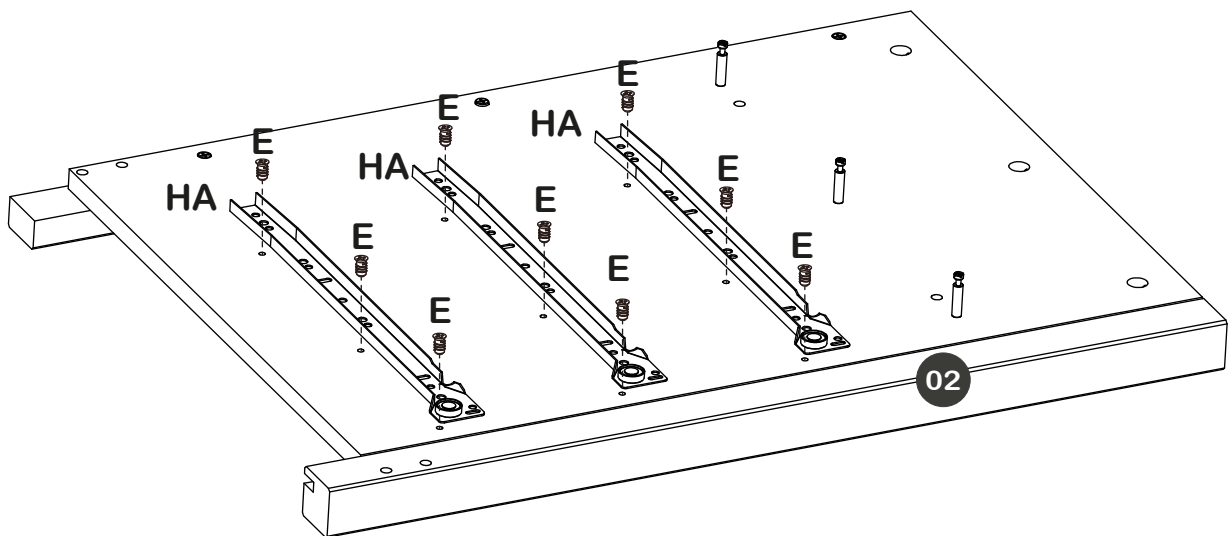
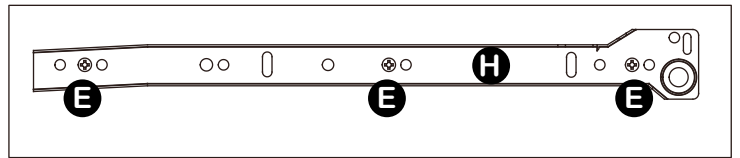
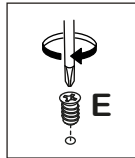



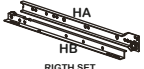
01



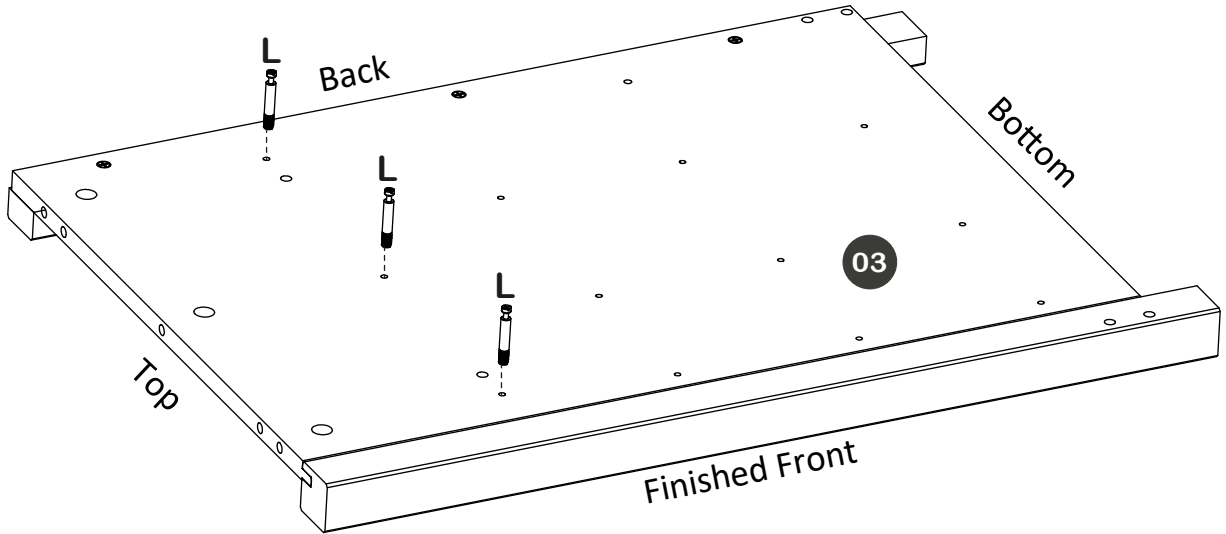
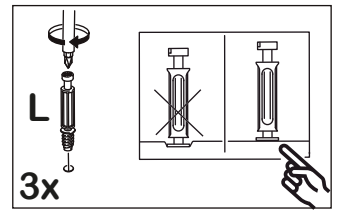
L		03
---	---	----


02



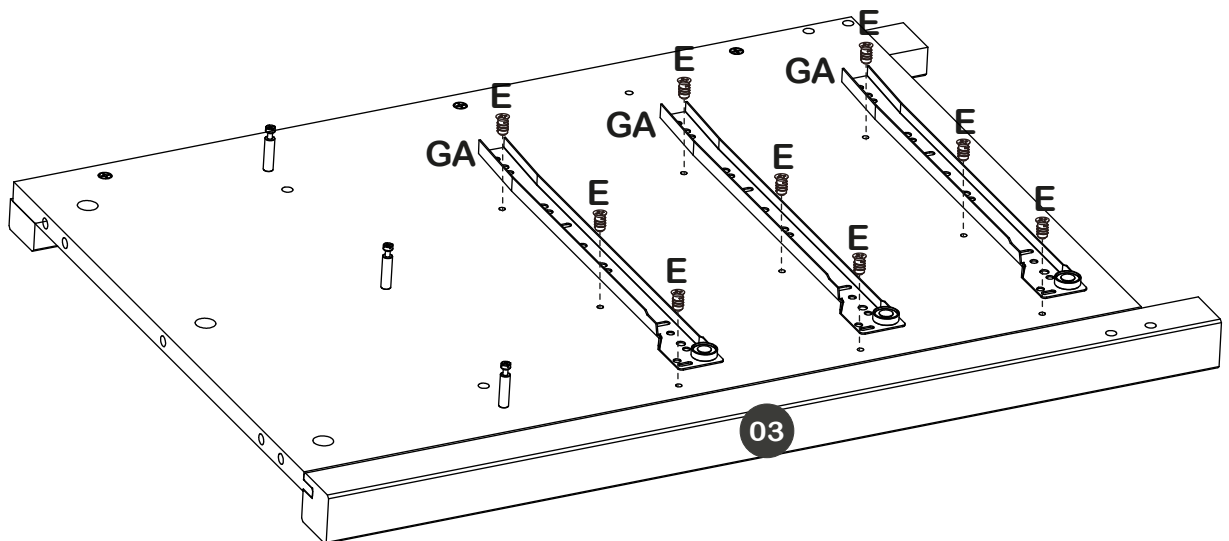
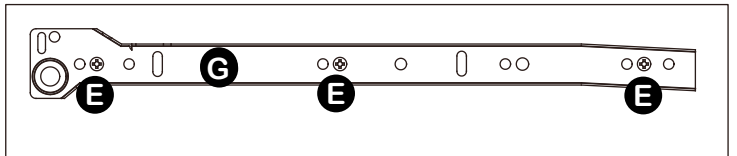
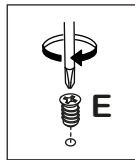
E	 6,0x10mm	09	H	 RIGHT SET	03
---	---	----	---	--	----



03



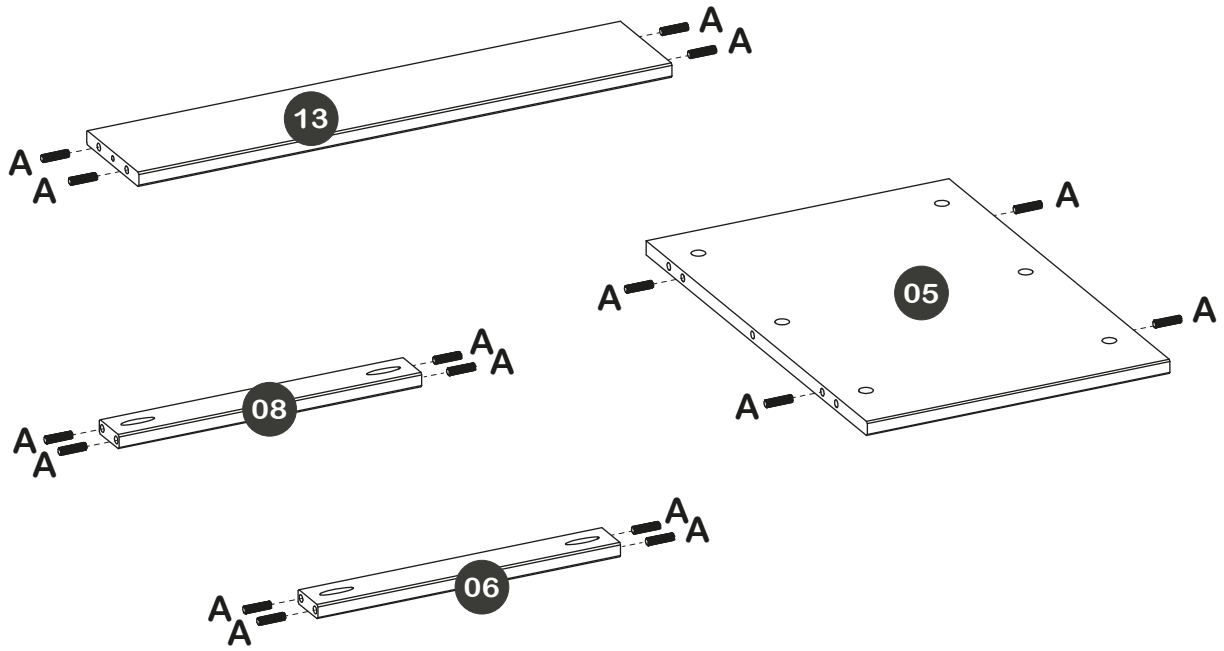
L		03
---	---	----

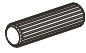
04

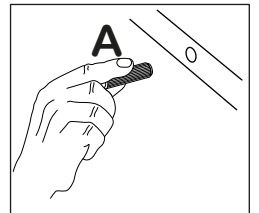


E		09	6,0x10mm	G		03	LEFT SET 350mm
---	---	----	----------	---	---	----	----------------

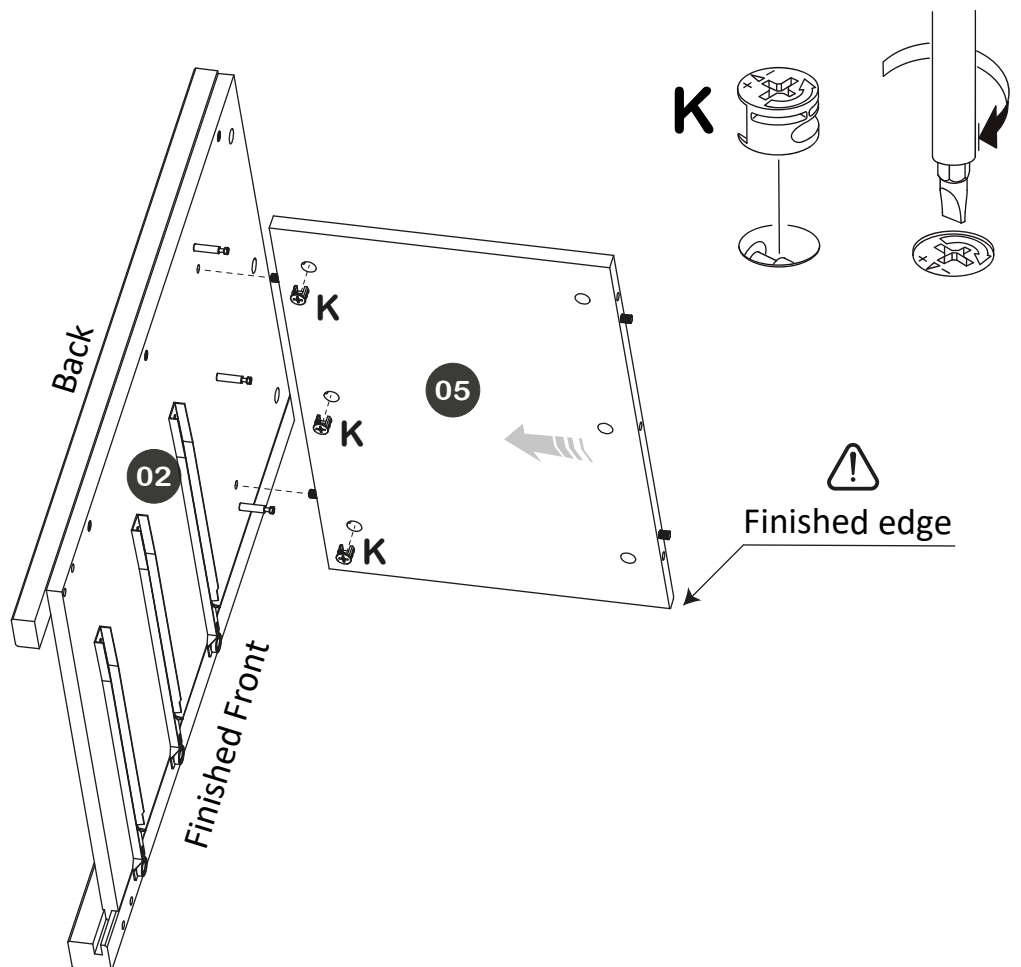
05




A		16
8x30mm		

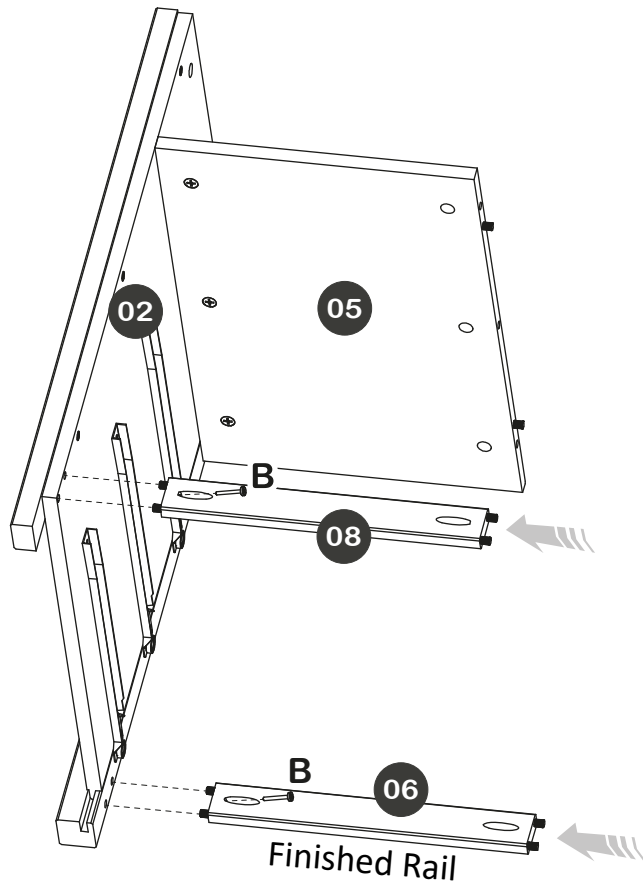



06

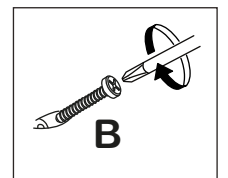


K		03
---	---	----

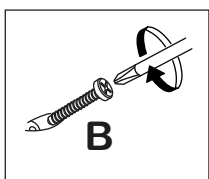
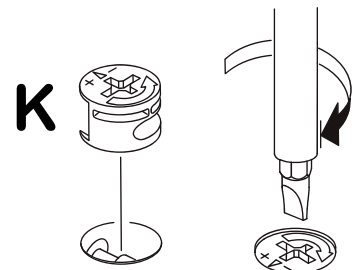
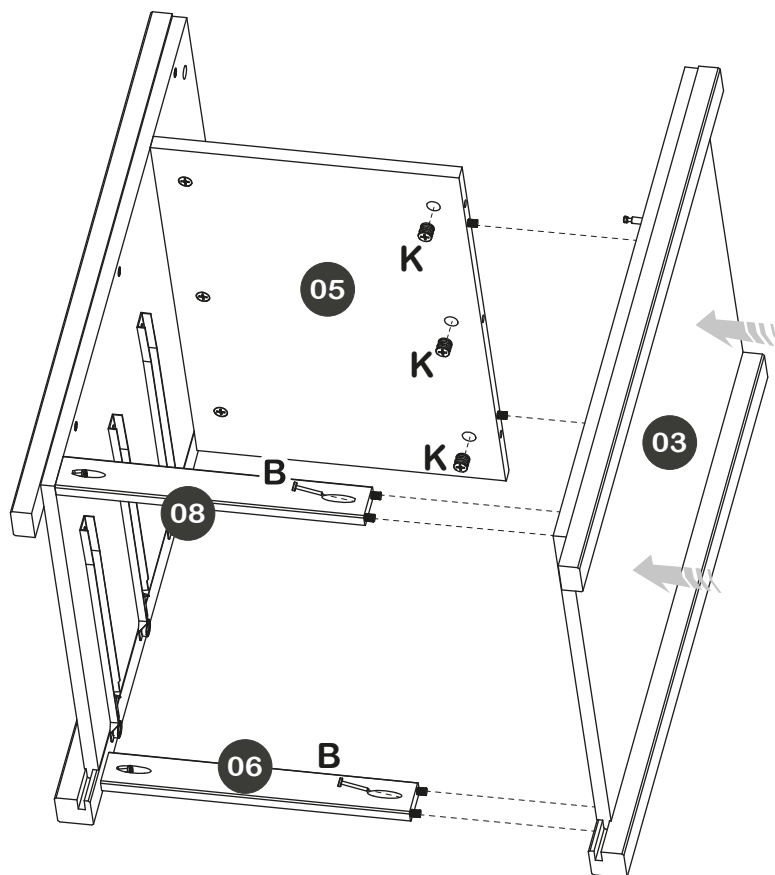
07





B		02
	3,5x30mm	

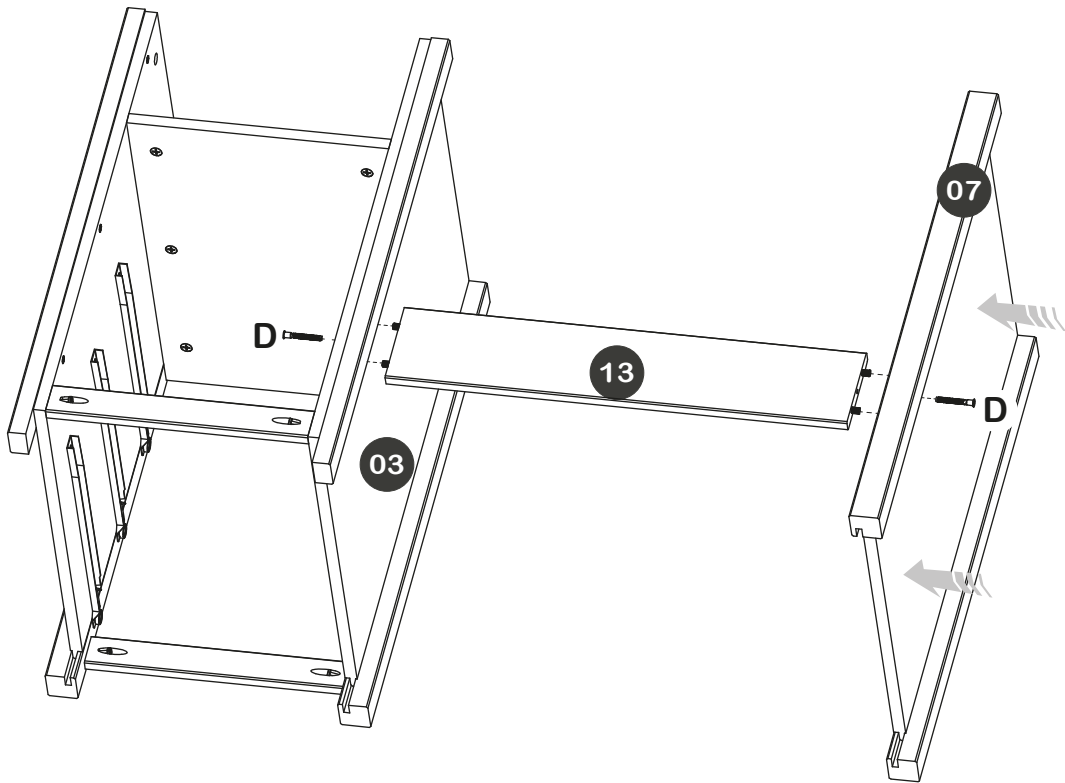


08

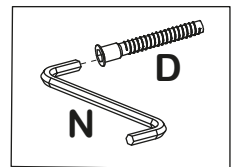


B		02	K		03
	3,5x30mm				

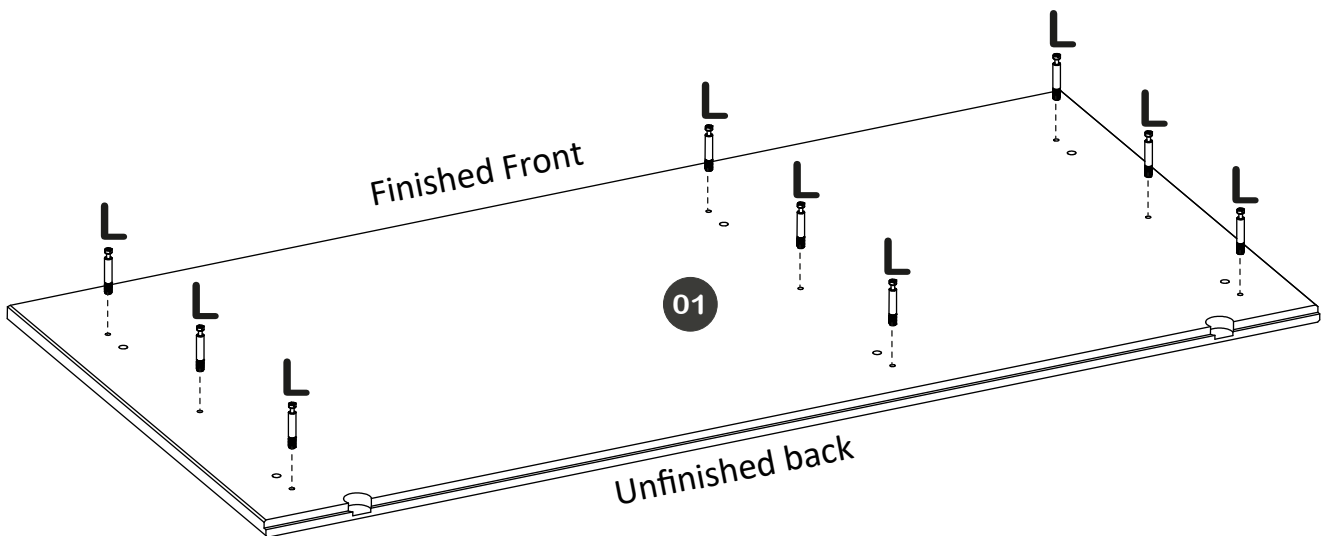
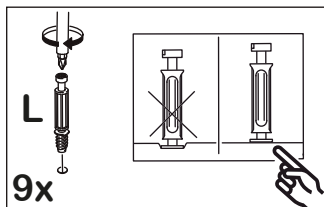
09



N		01	D		02
---	--	----	---	--	----

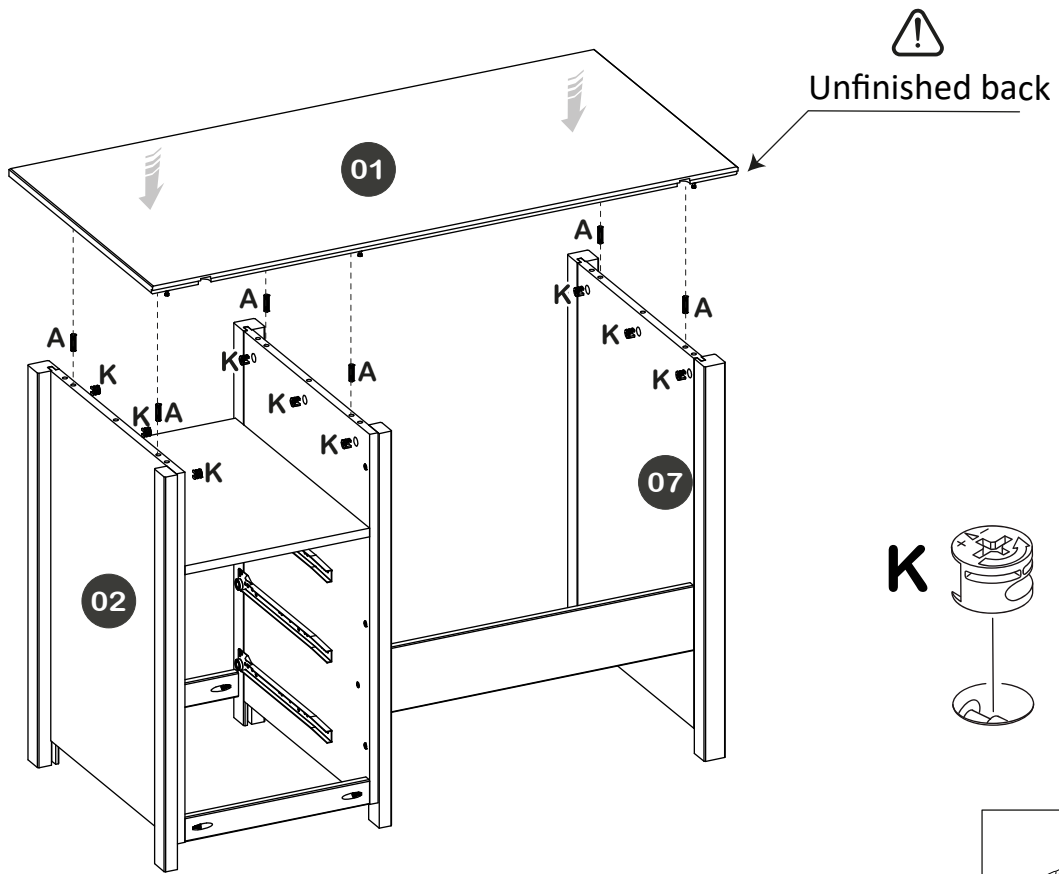


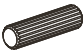

10



L		09
---	--	----

11

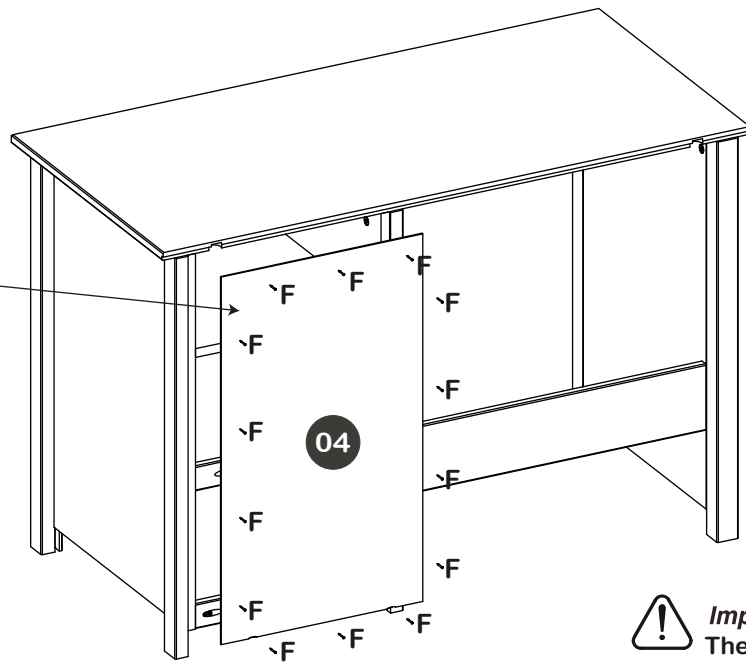
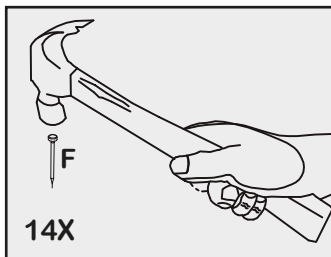
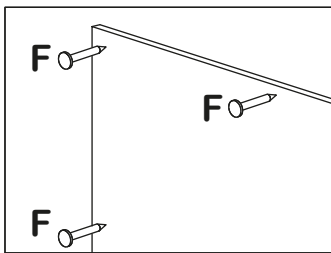


A	 8x30mm	06	K		09
---	---	----	---	---	----

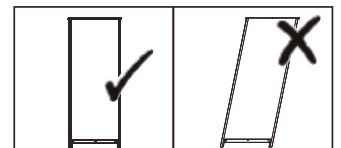
12




Use all back panels nails.
Evenly spaced, they help
make the unit strong.

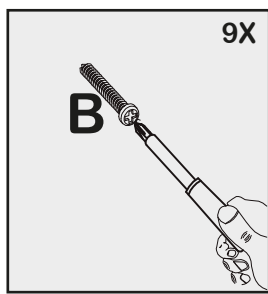
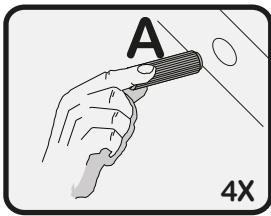


Important:
The unit **MUST** be
'square' when back panel
is attached.



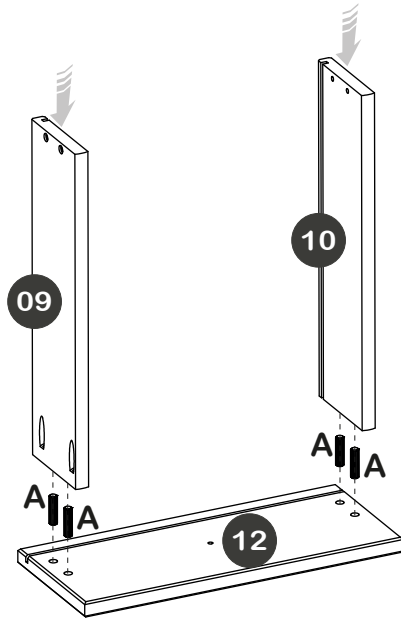
F		14
---	---	----

13

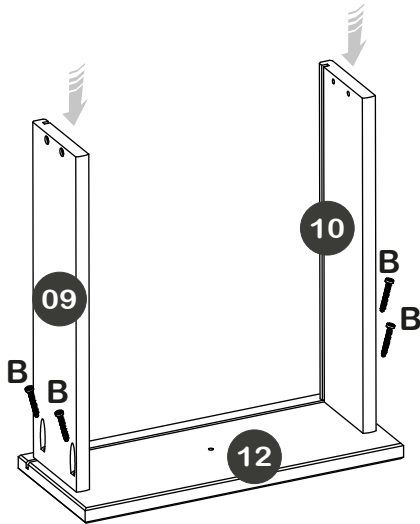


3x

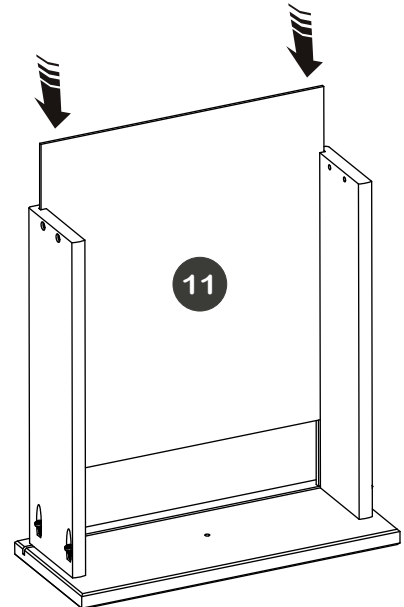
a)



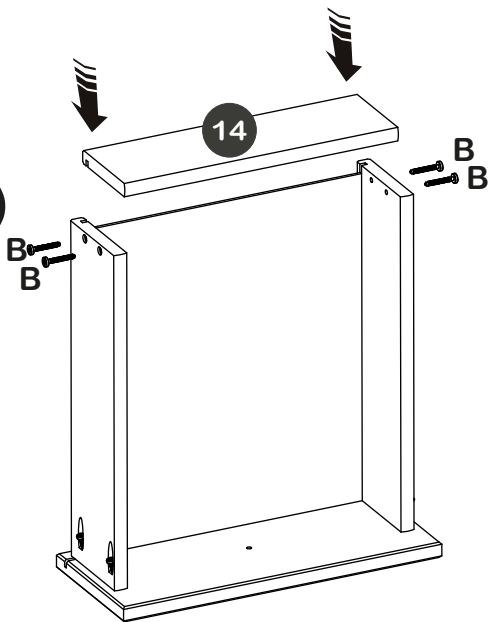
b)



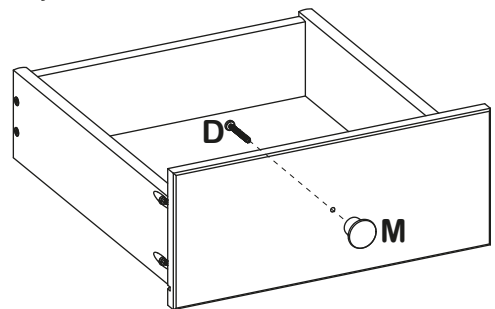
c)



d)

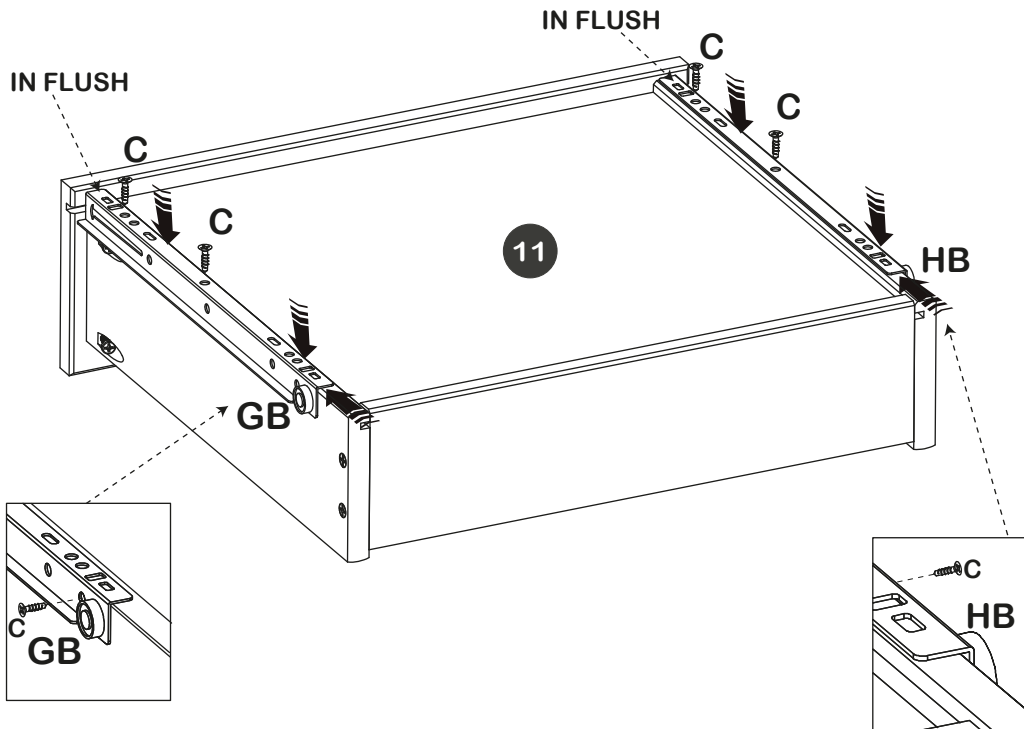
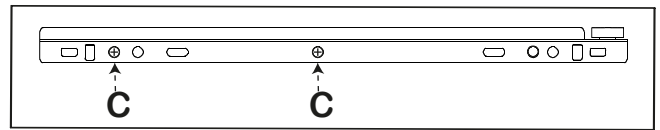




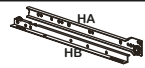
e)



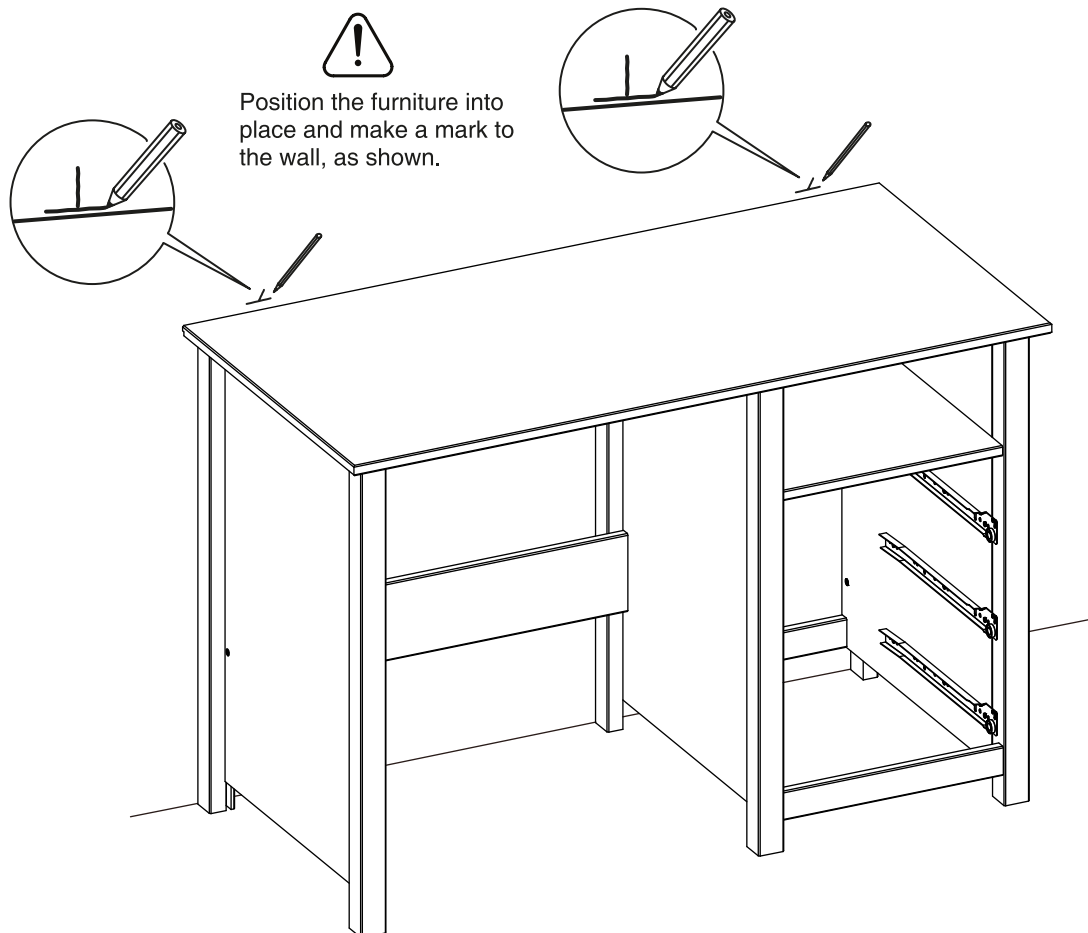
A	 8x30mm	12	B	 3,5x30mm	27	M		03
---	------------	----	---	--------------	----	---	--	----

14 3x

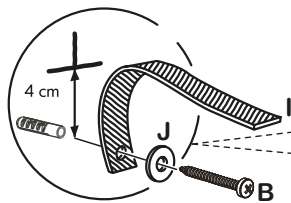


C		18	G		03	H		03
	3,0x16mm			LEFT SET			RIGHT SET	

15




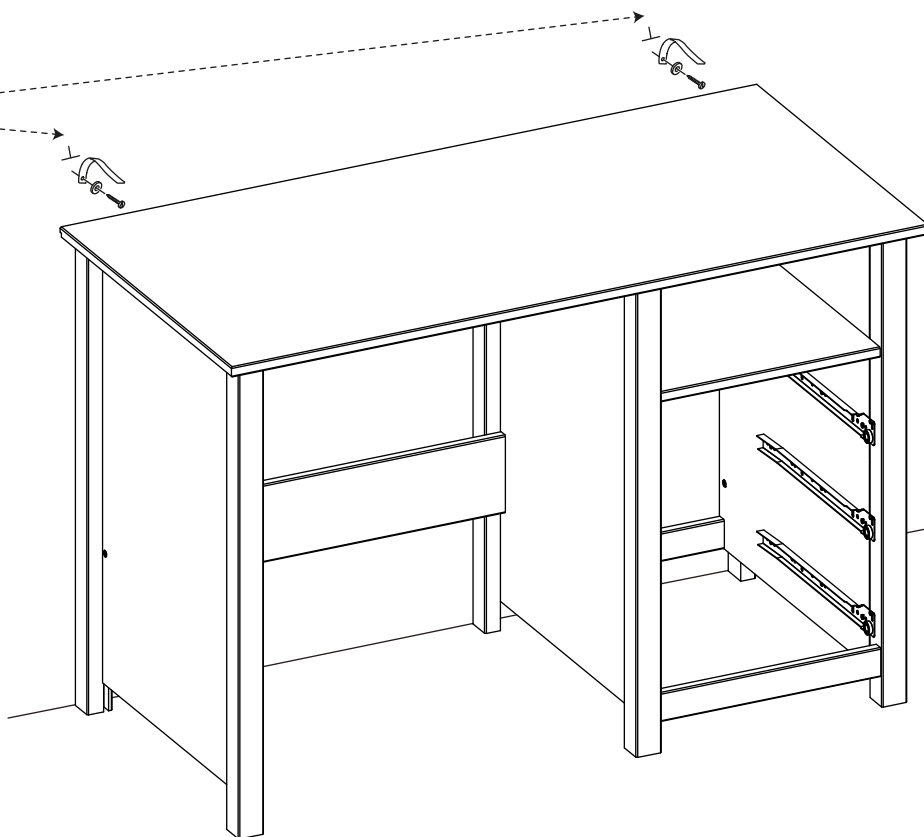
16






With help, carefully move the furniture away to access the mark in the wall.

Drill hole on wall 4cm below the mark, as shown in the diagram.

 Before drilling, check wall for hidden pipes and cables.

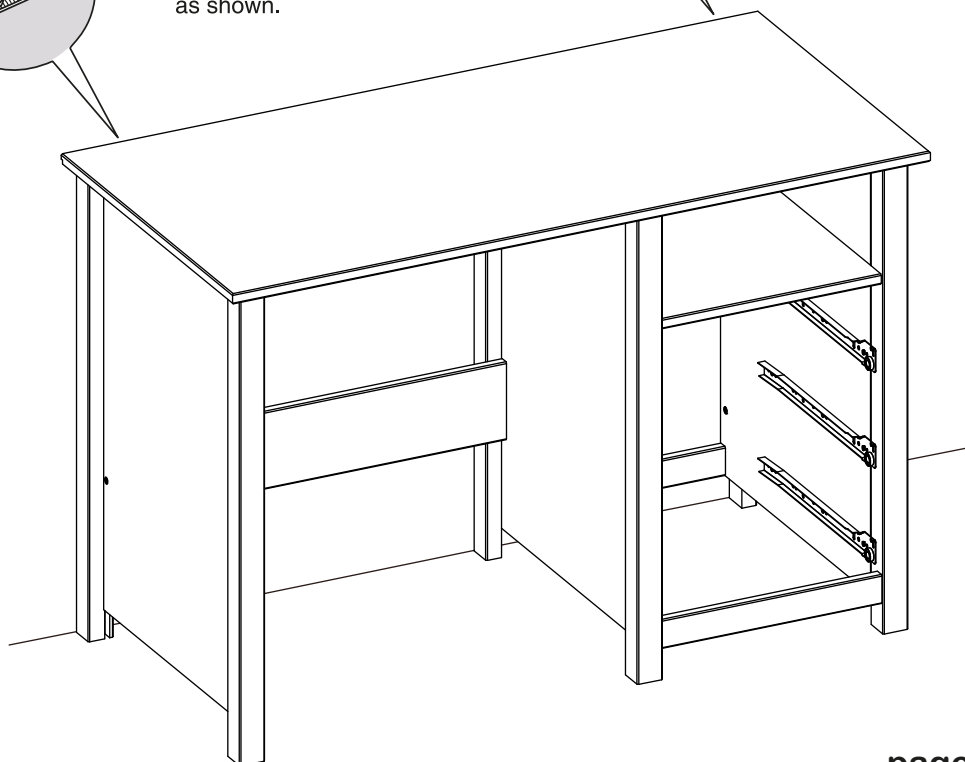
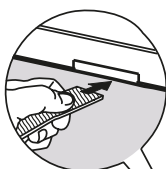


B	 3,5x30mm	02	I		02	J		02
----------	---	-----------	----------	--	-----------	----------	---	-----------

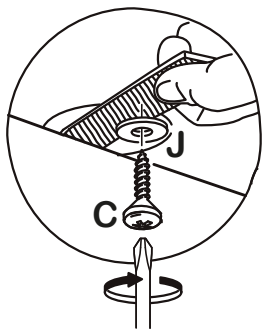
17



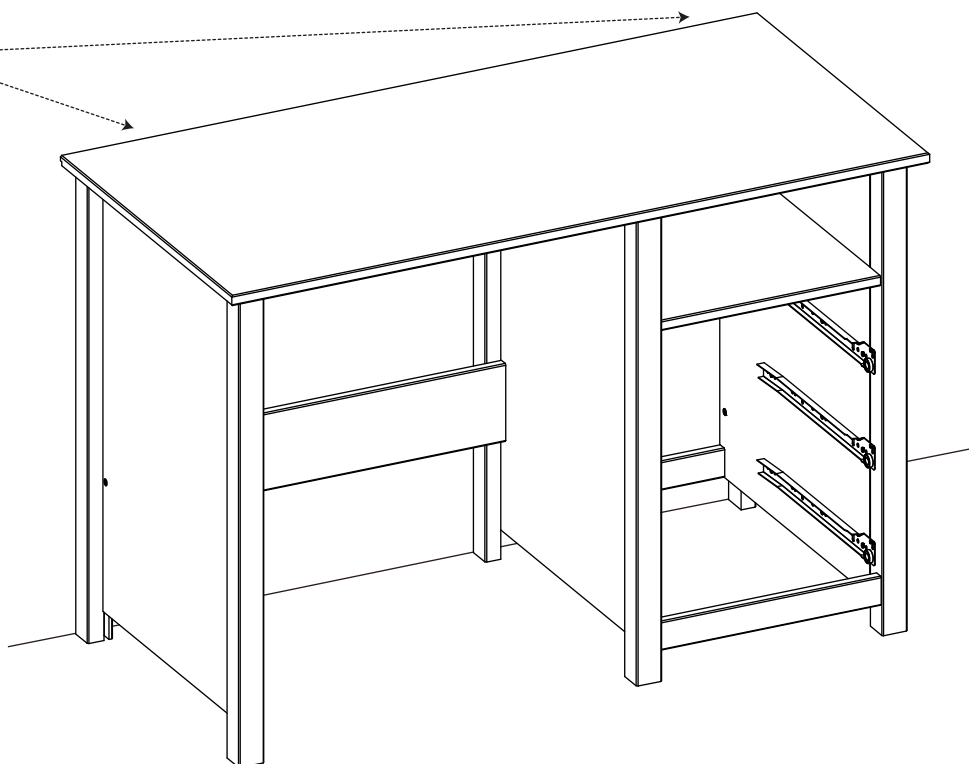
With help, carefully move the furniture back to position and insert wall strap into slot on top panel, as shown.





18



!
 Inside the unit, hold wall strap in position and fix it using washer and screw, as shown.



C	 3,0x16mm	02	J		02
---	---	----	---	---	----

19

