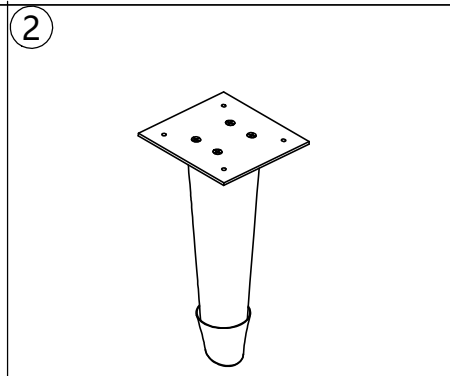
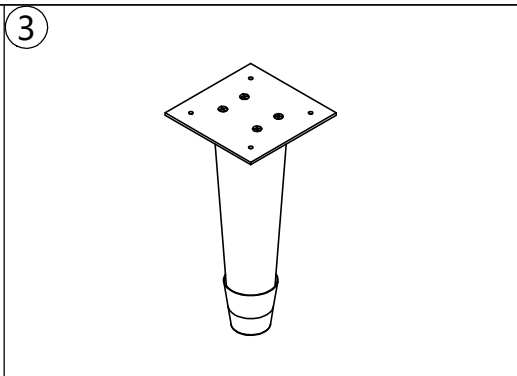


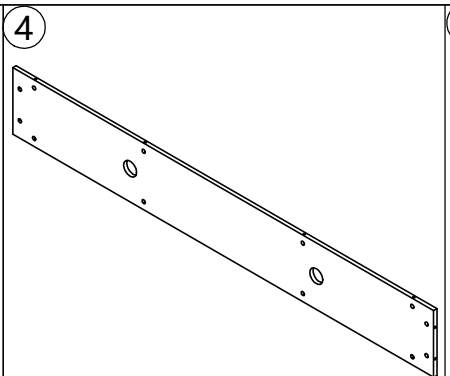
1PCS



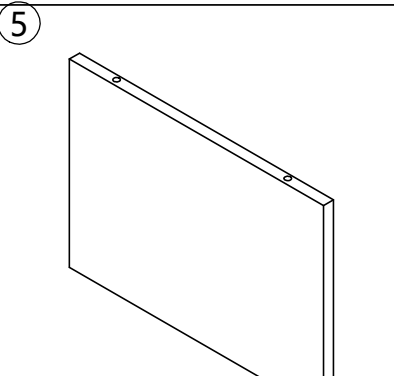
4PCS



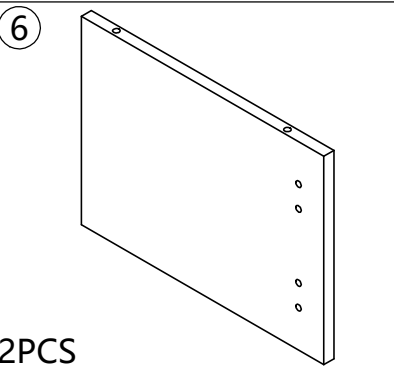
1PCS



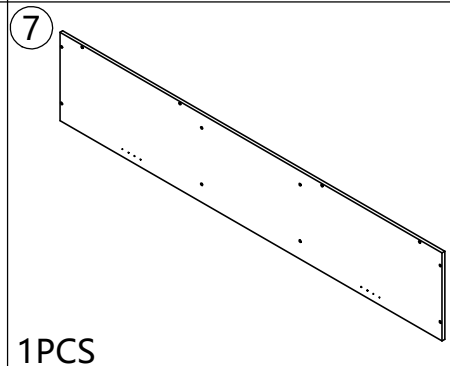
1PCS



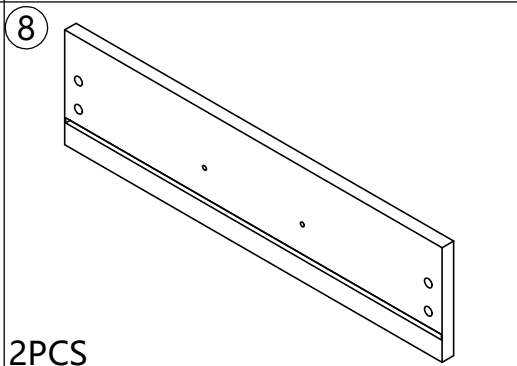
2PCS



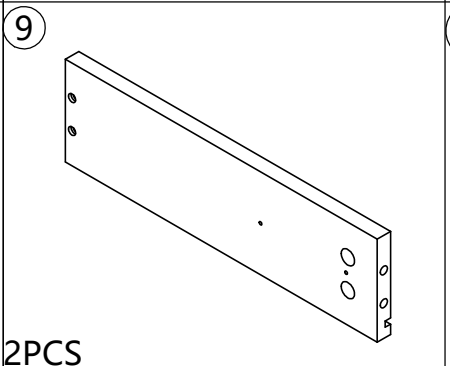
2PCS



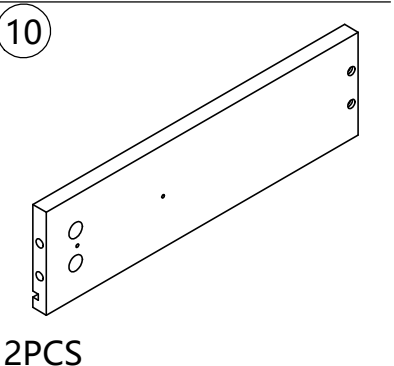
1PCS



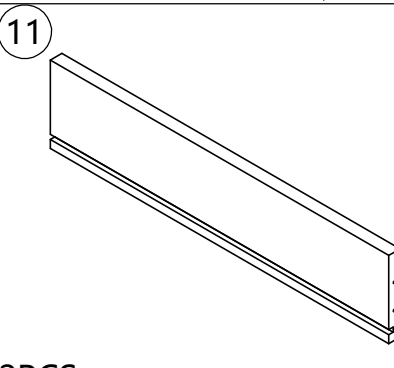
2PCS



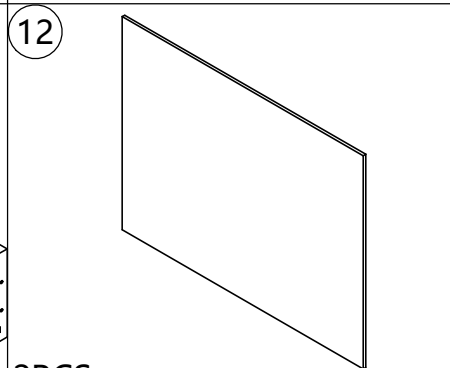
2PCS



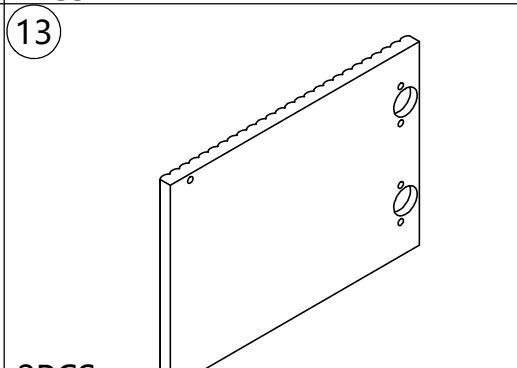
2PCS



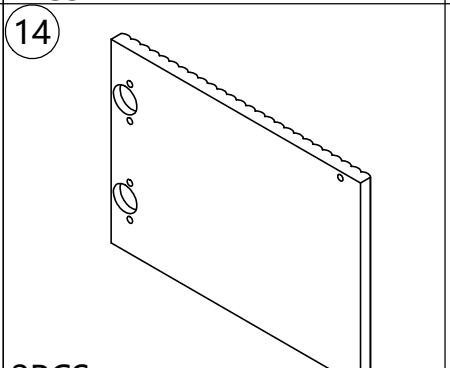
2PCS



2PCS

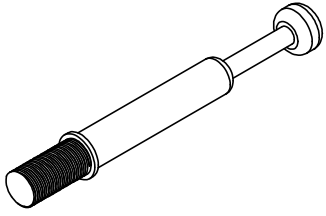


2PCS



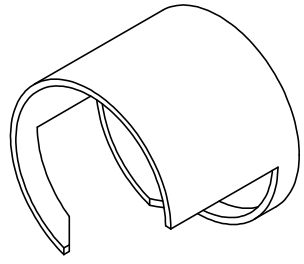
2PCS

A



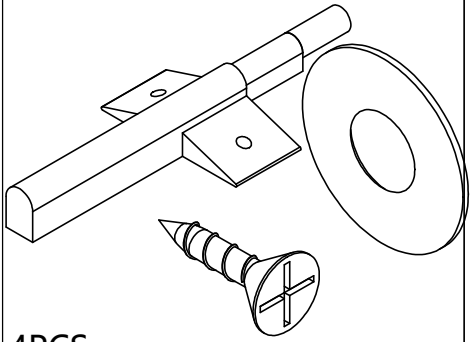
6*40=36PCS(+2PCS)

B



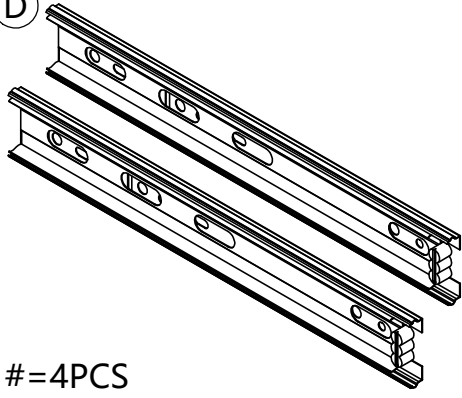
15*10=36PCS(+2PCS)

C



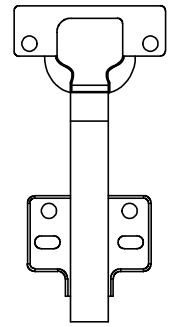
4PCS

D



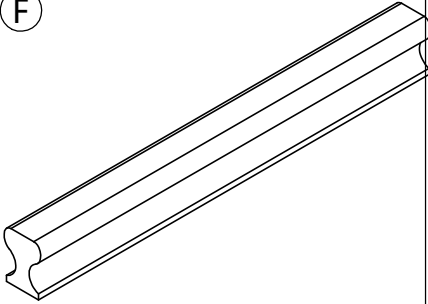
#=4PCS

E



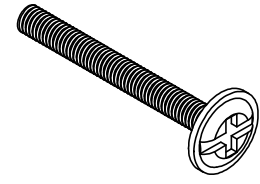
8PCS

F



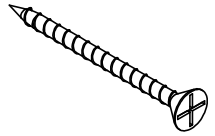
146*18*12=2PCS

G



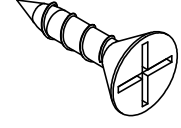
M4*18=4PCS(+1PCS)

H



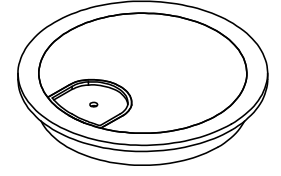
3.5*30=8PCS(+1PCS)

I



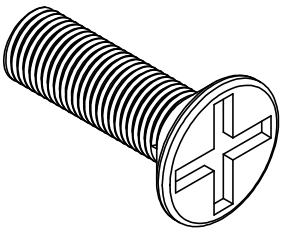
3.5*14=60PCS(+2PCS)

J



2PCS

K

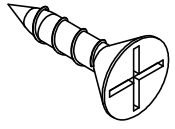


M4*10=32PCS(+2PCS)

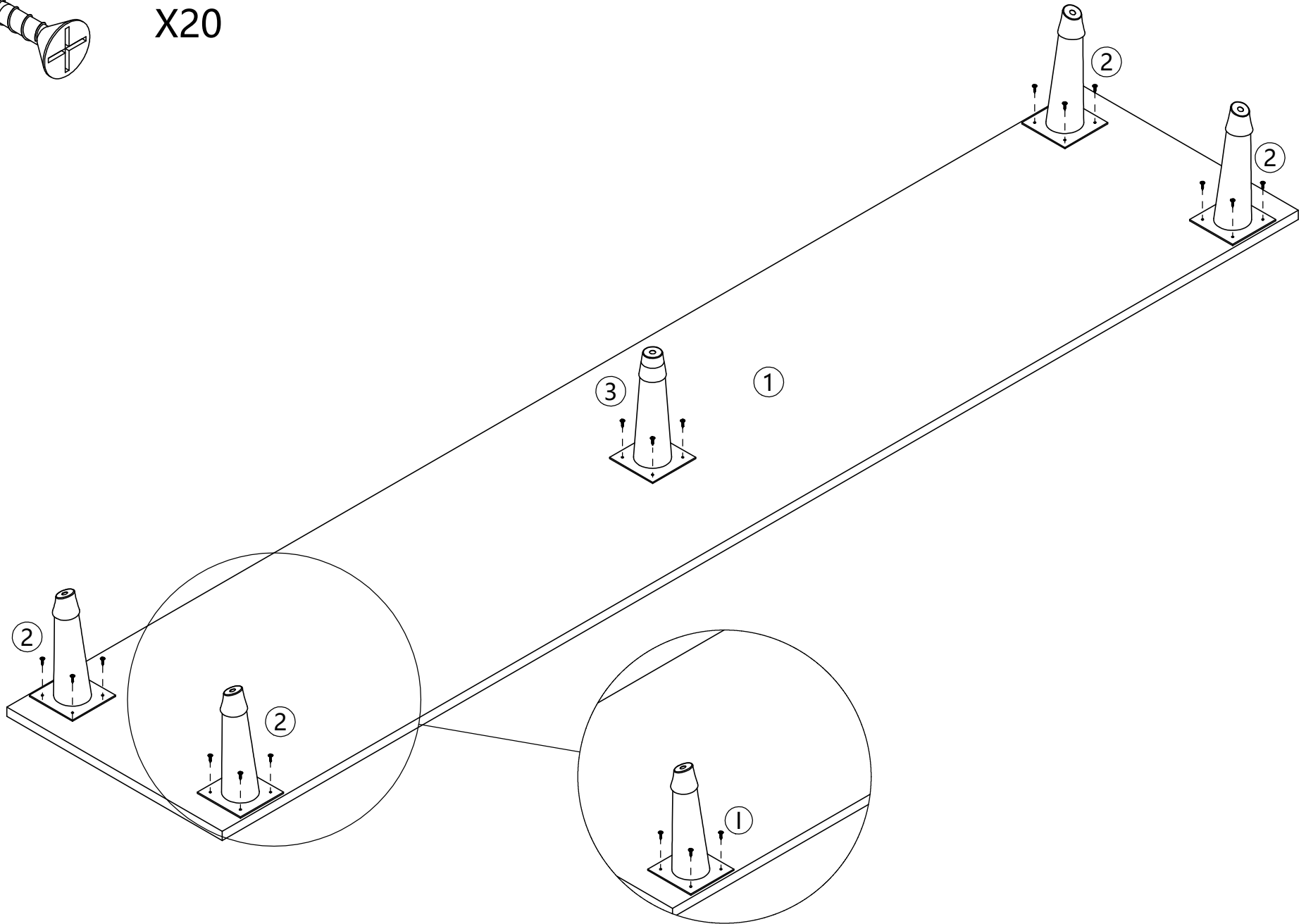
L

Step 3

①

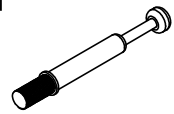


X20

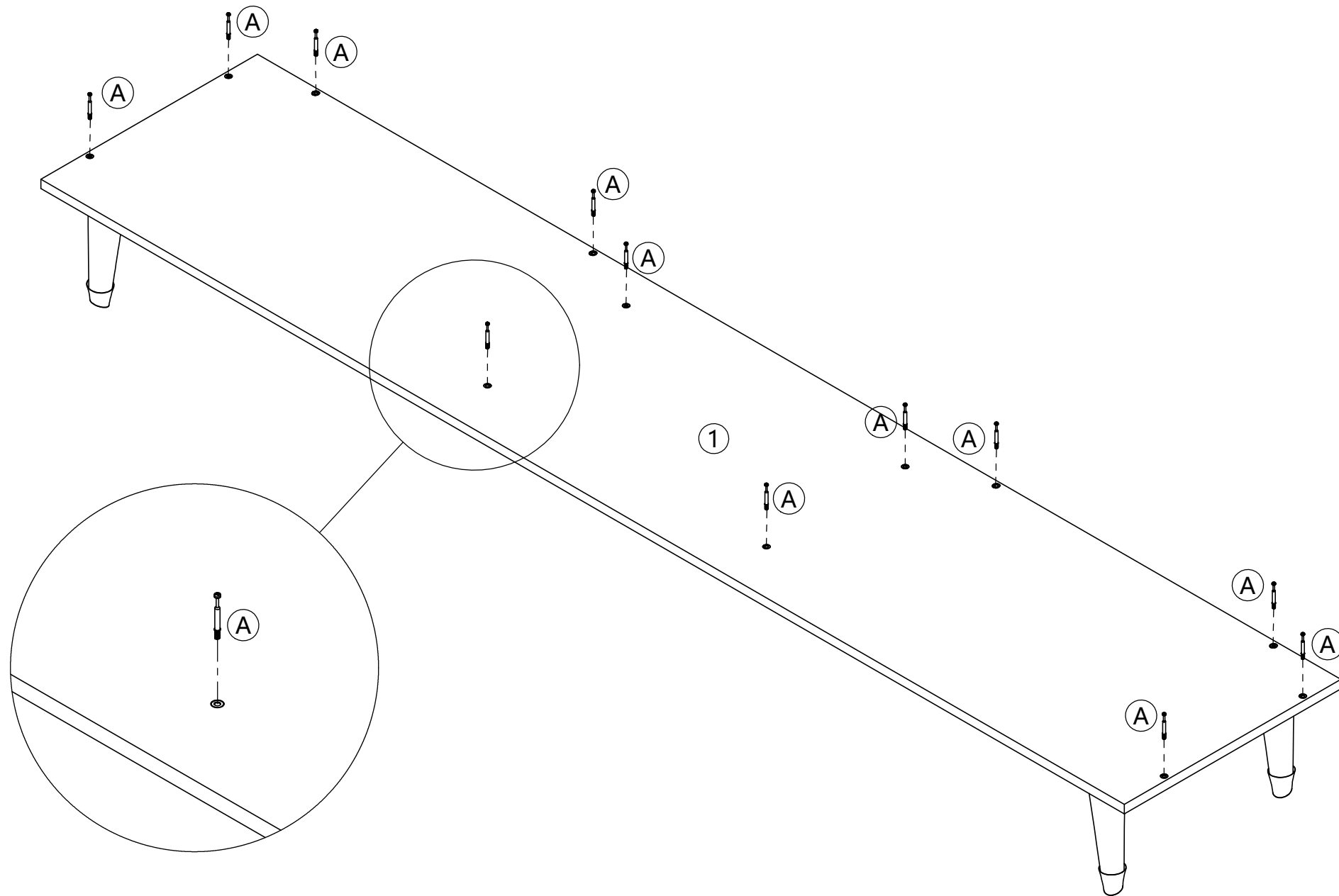


Step 4

A

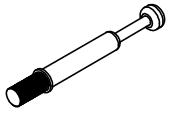


X12



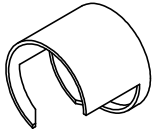
Step 5

A

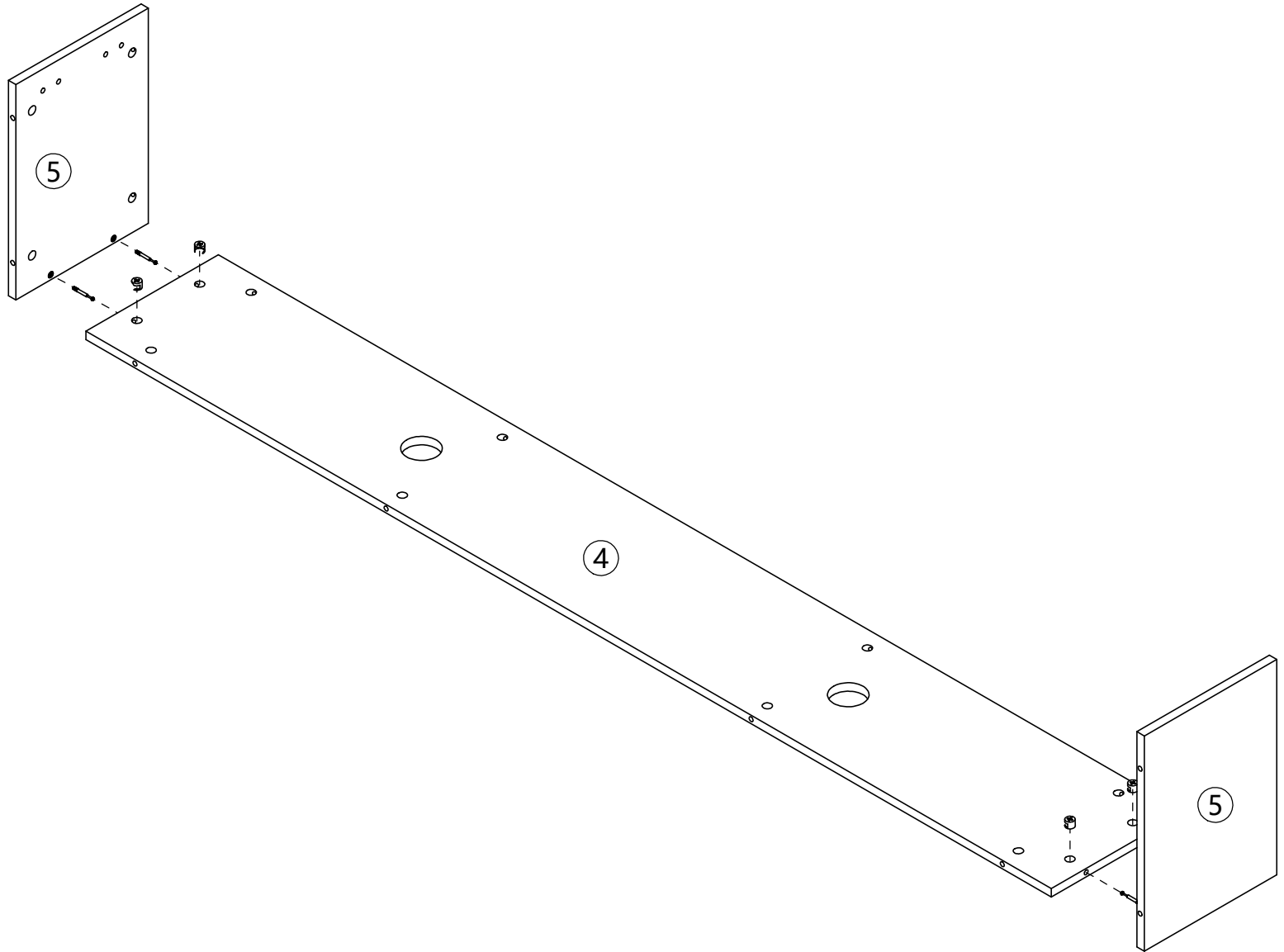


X4

B

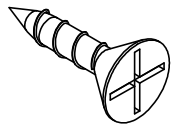


X4



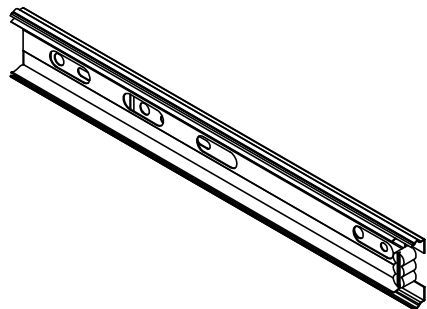
Step 6

I

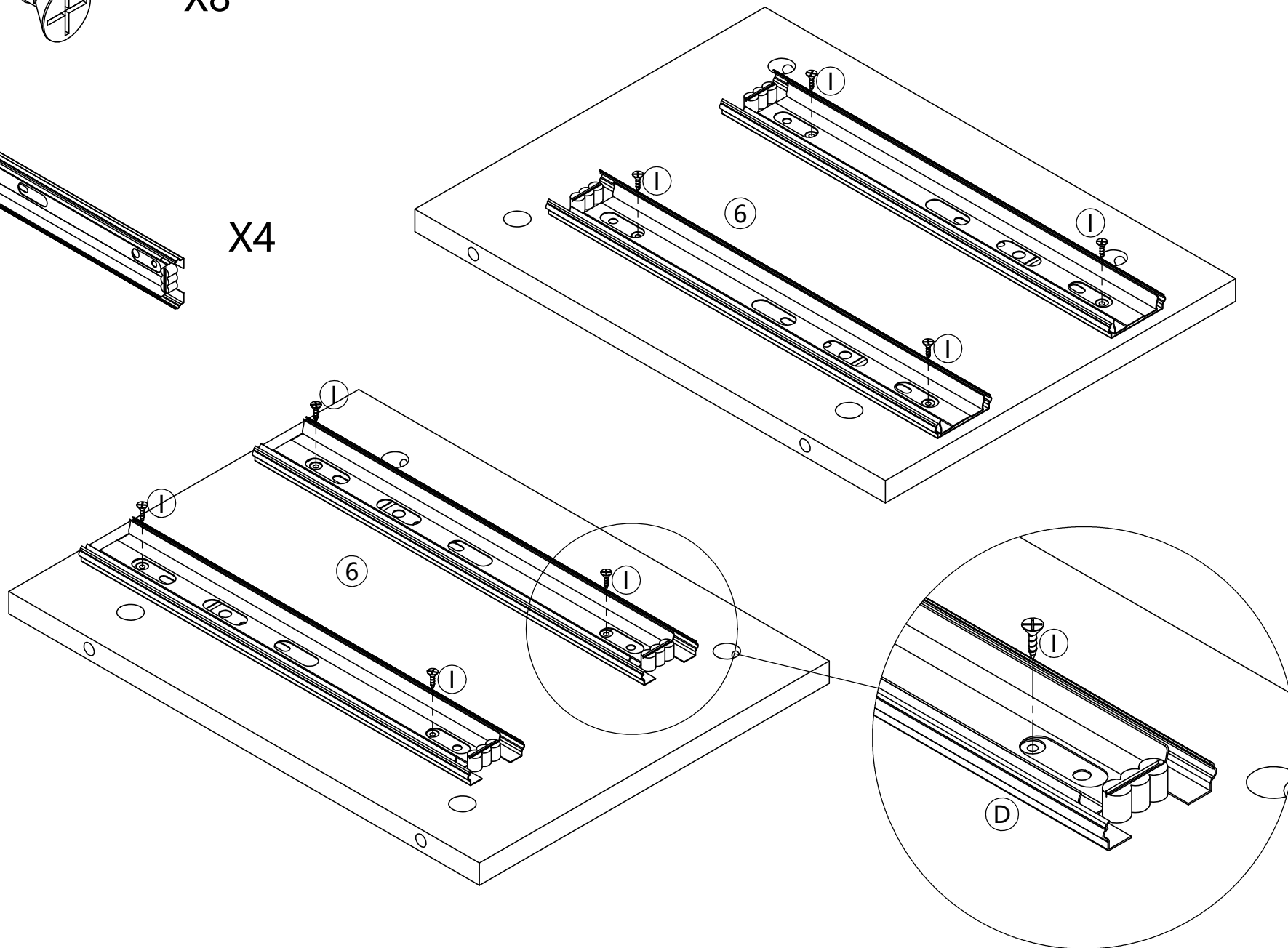


X8

D

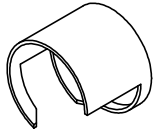


X4

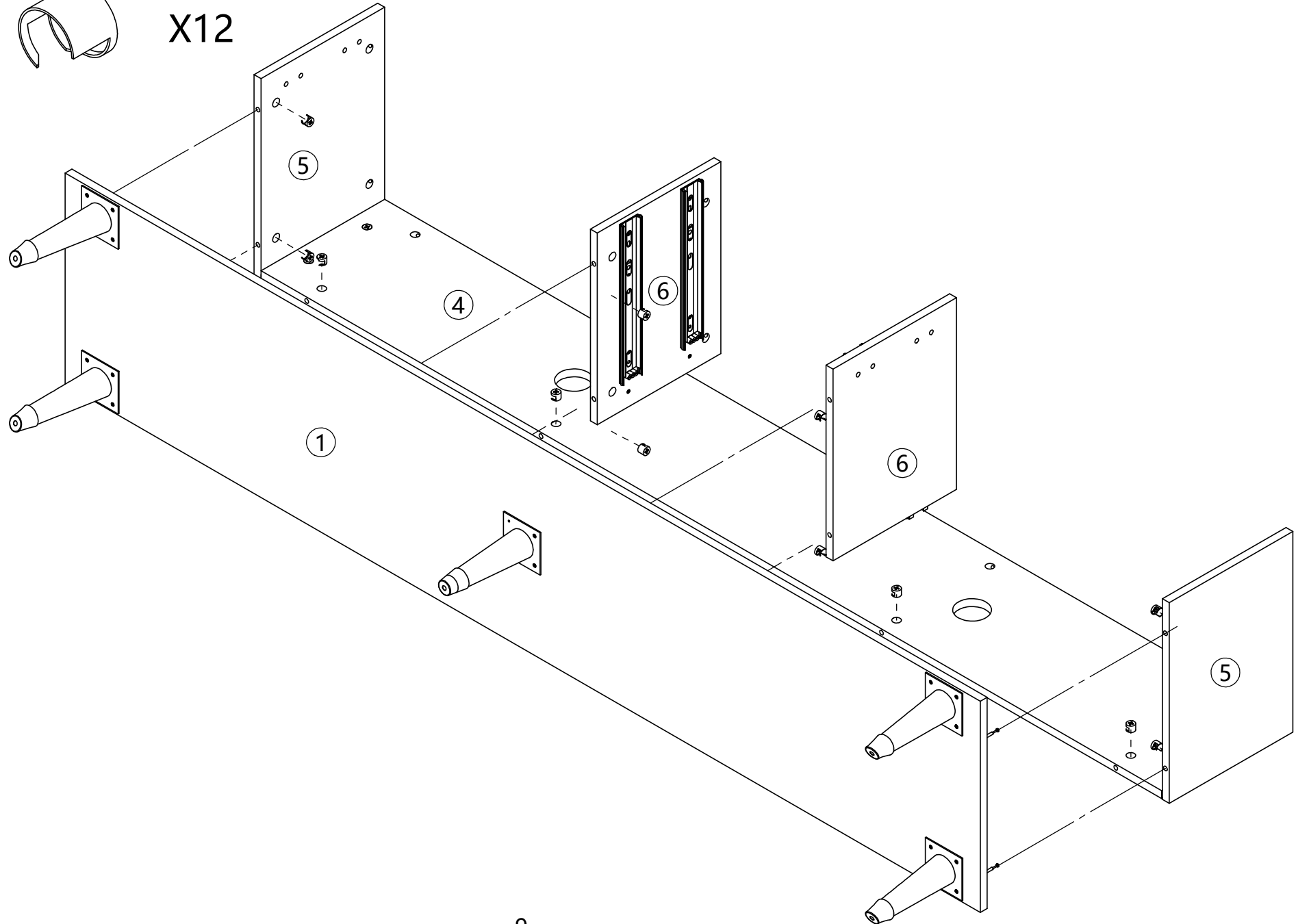


Step 7

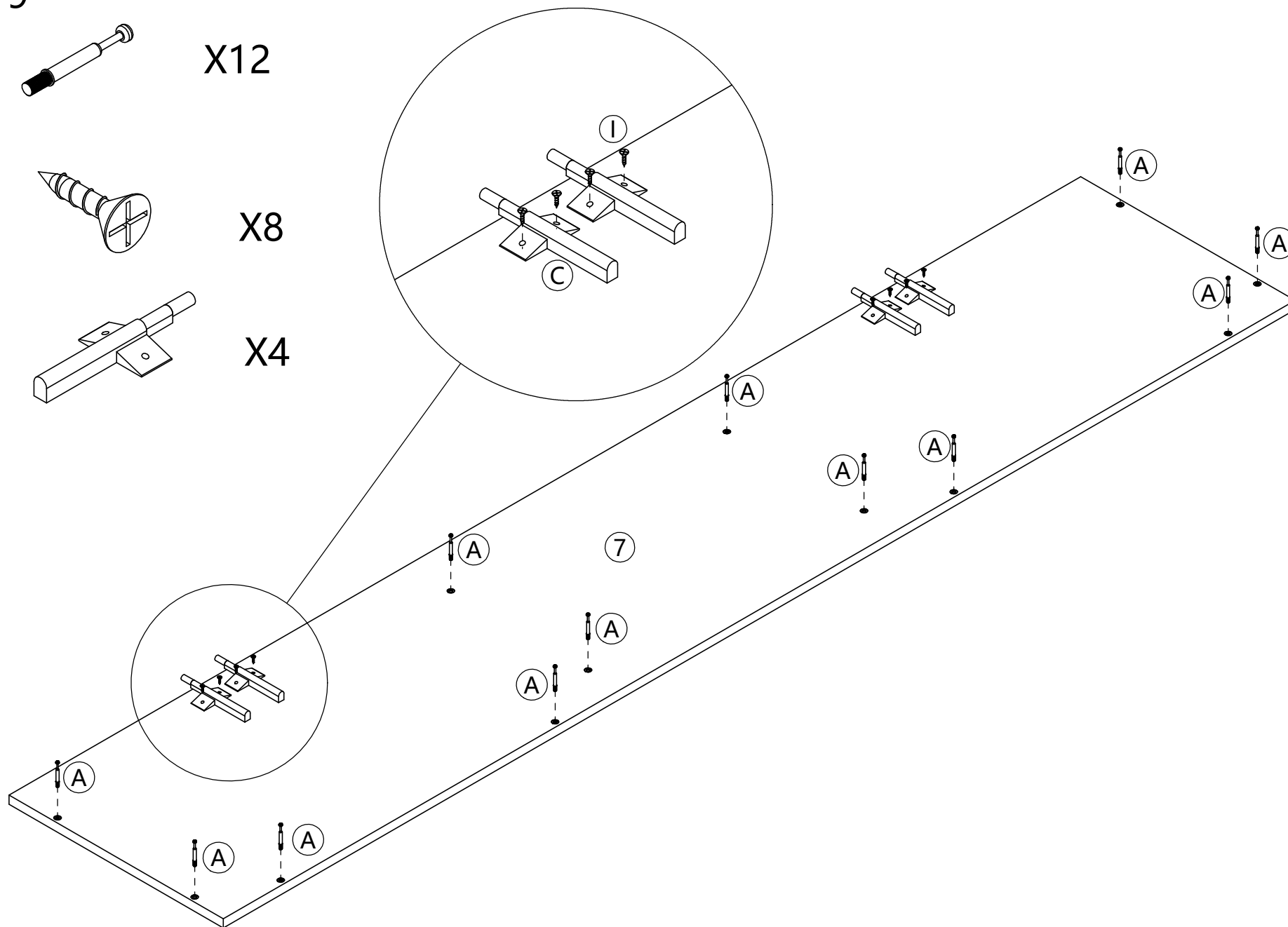
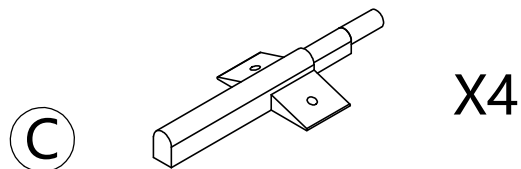
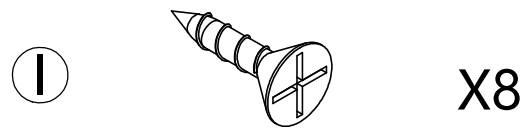
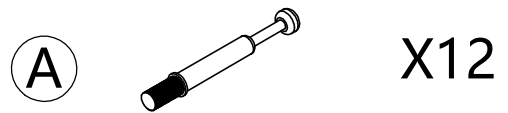
(B)



X12

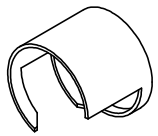


Step 9

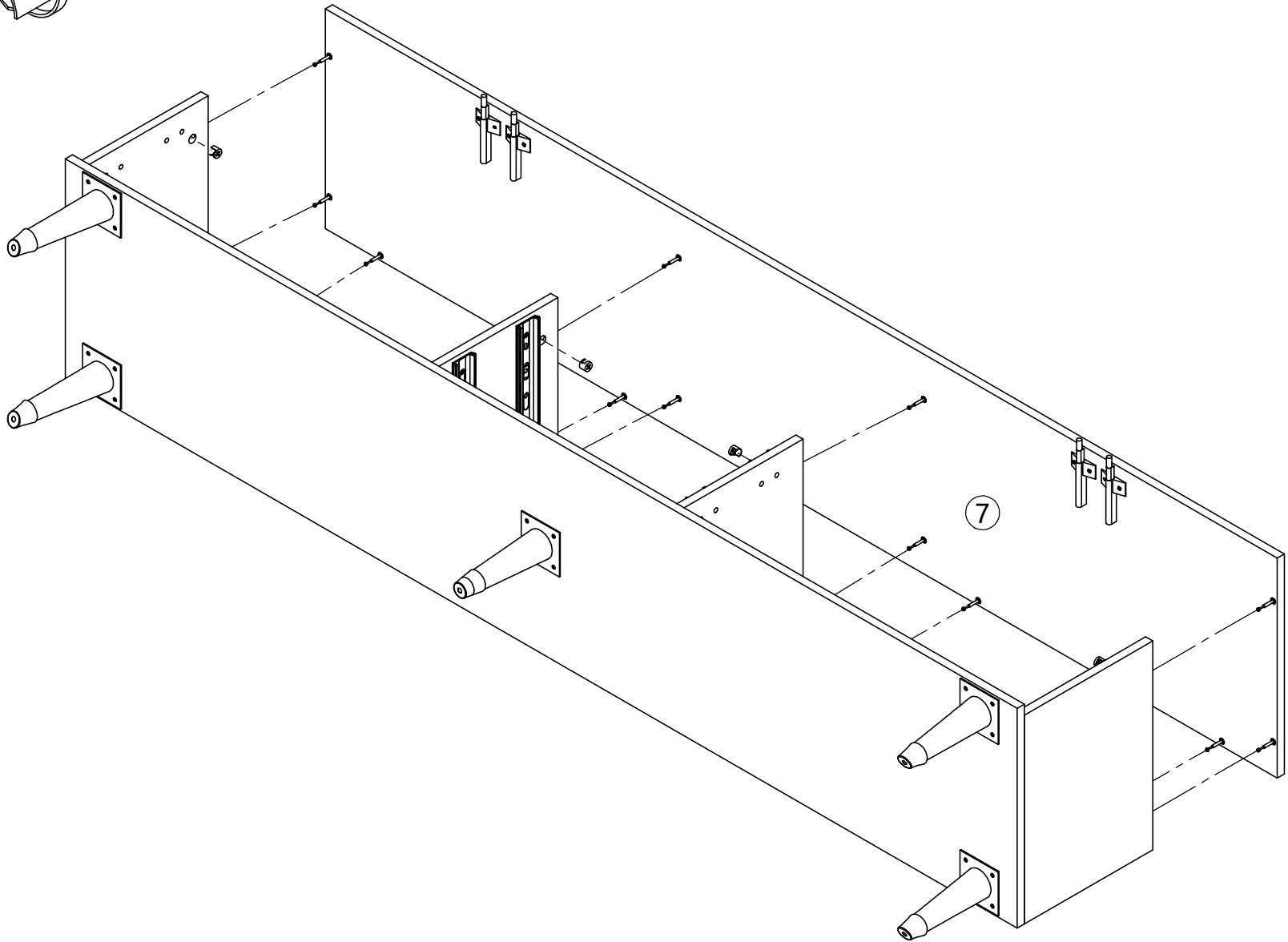


Step 10

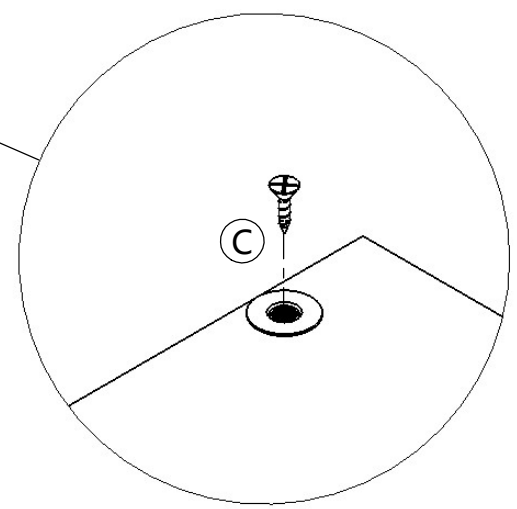
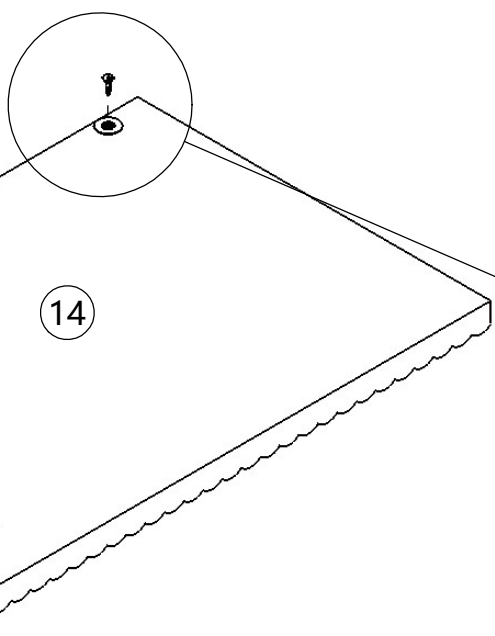
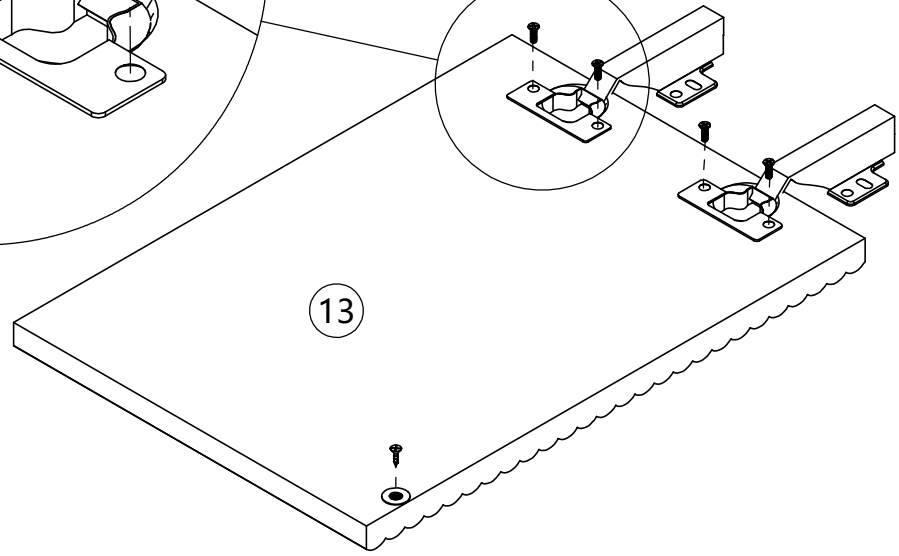
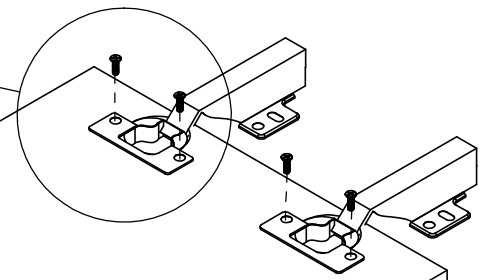
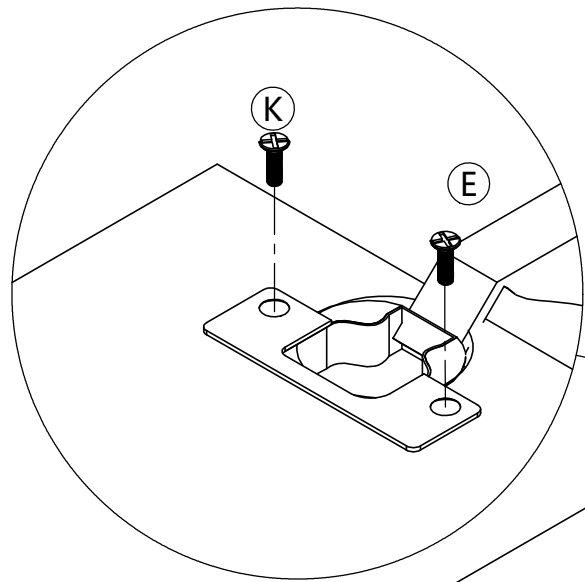
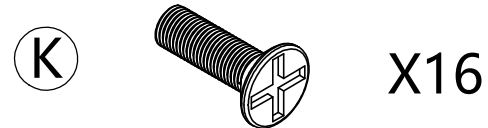
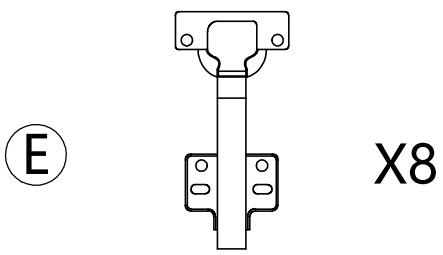
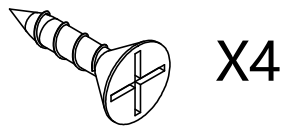
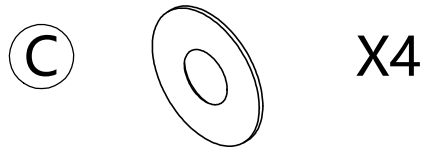
(B)



X12



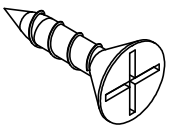
Step 11



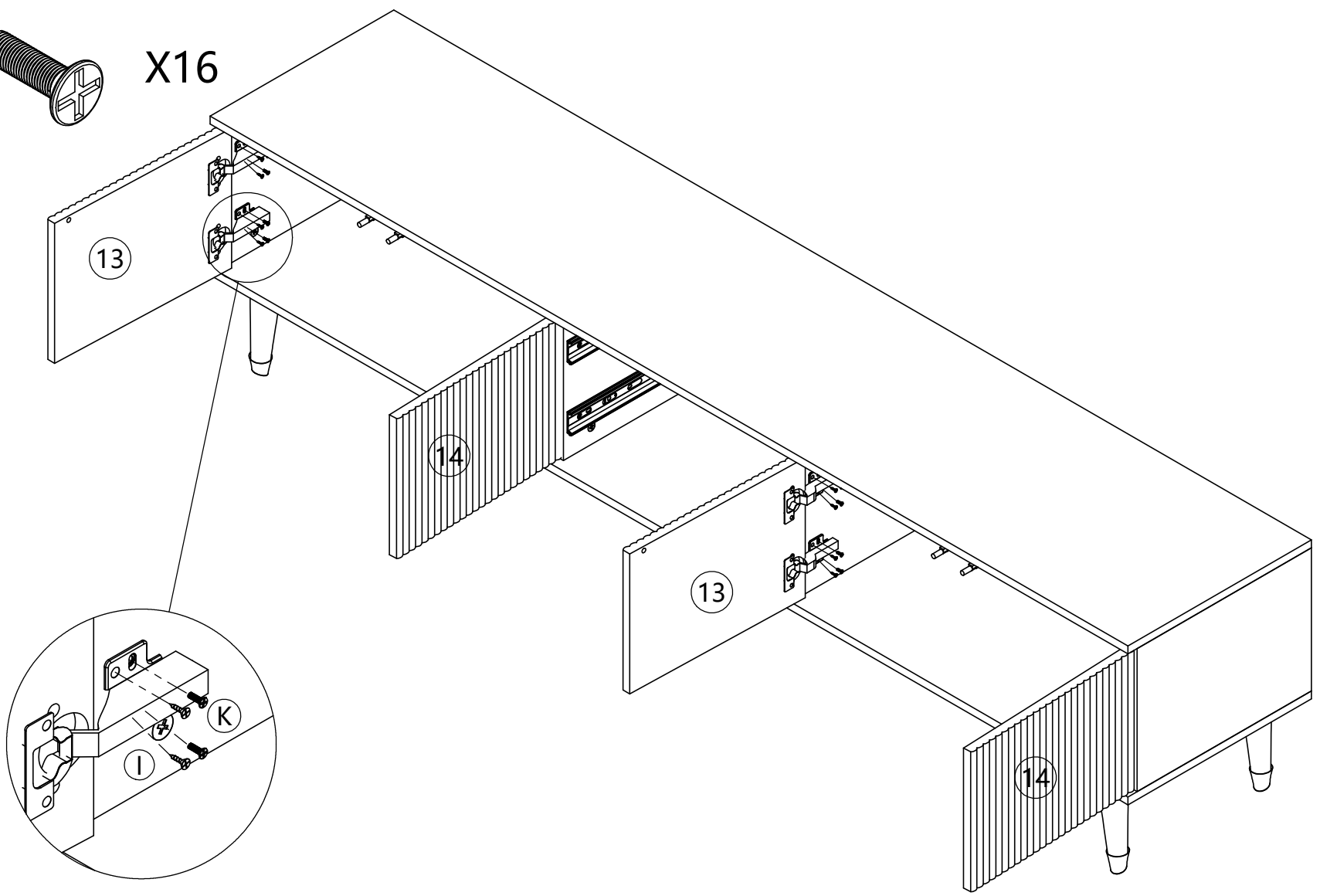
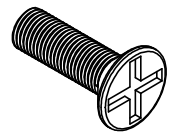
X2

Step 12

Ⓛ X16

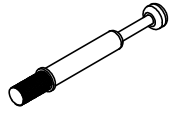


Ⓚ X16

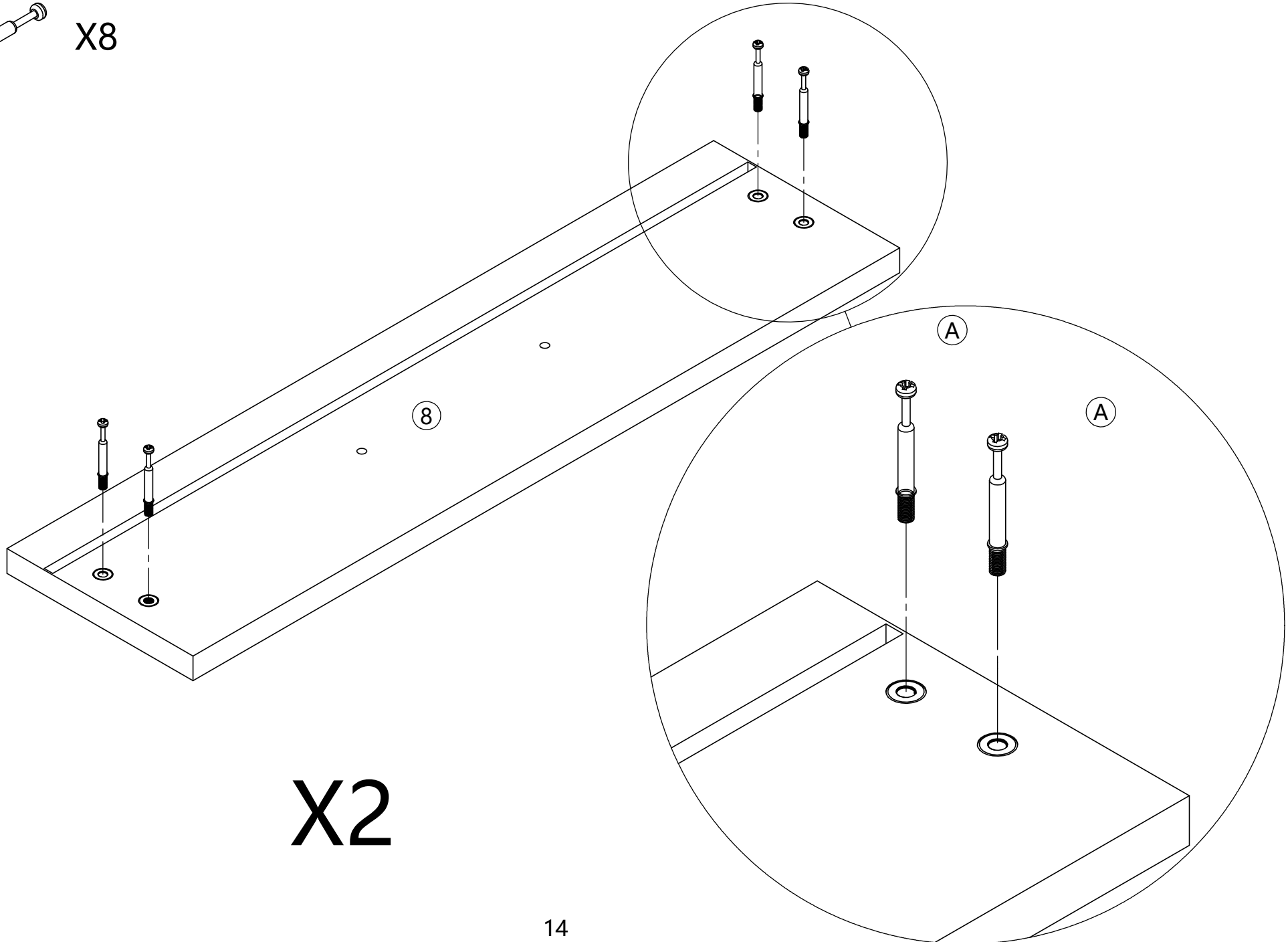


Step 13

A



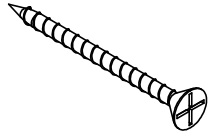
X8



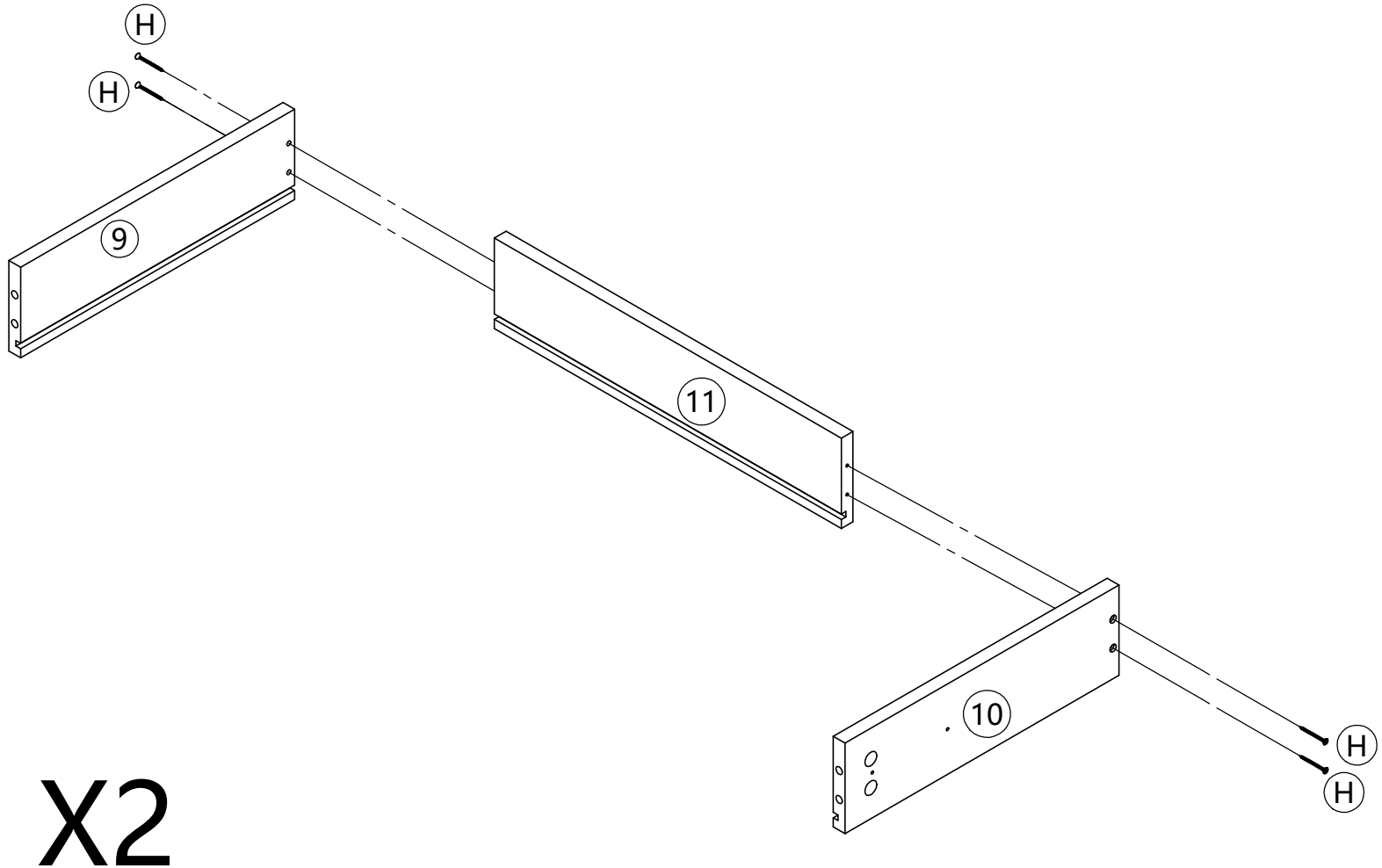
X2

Step 14

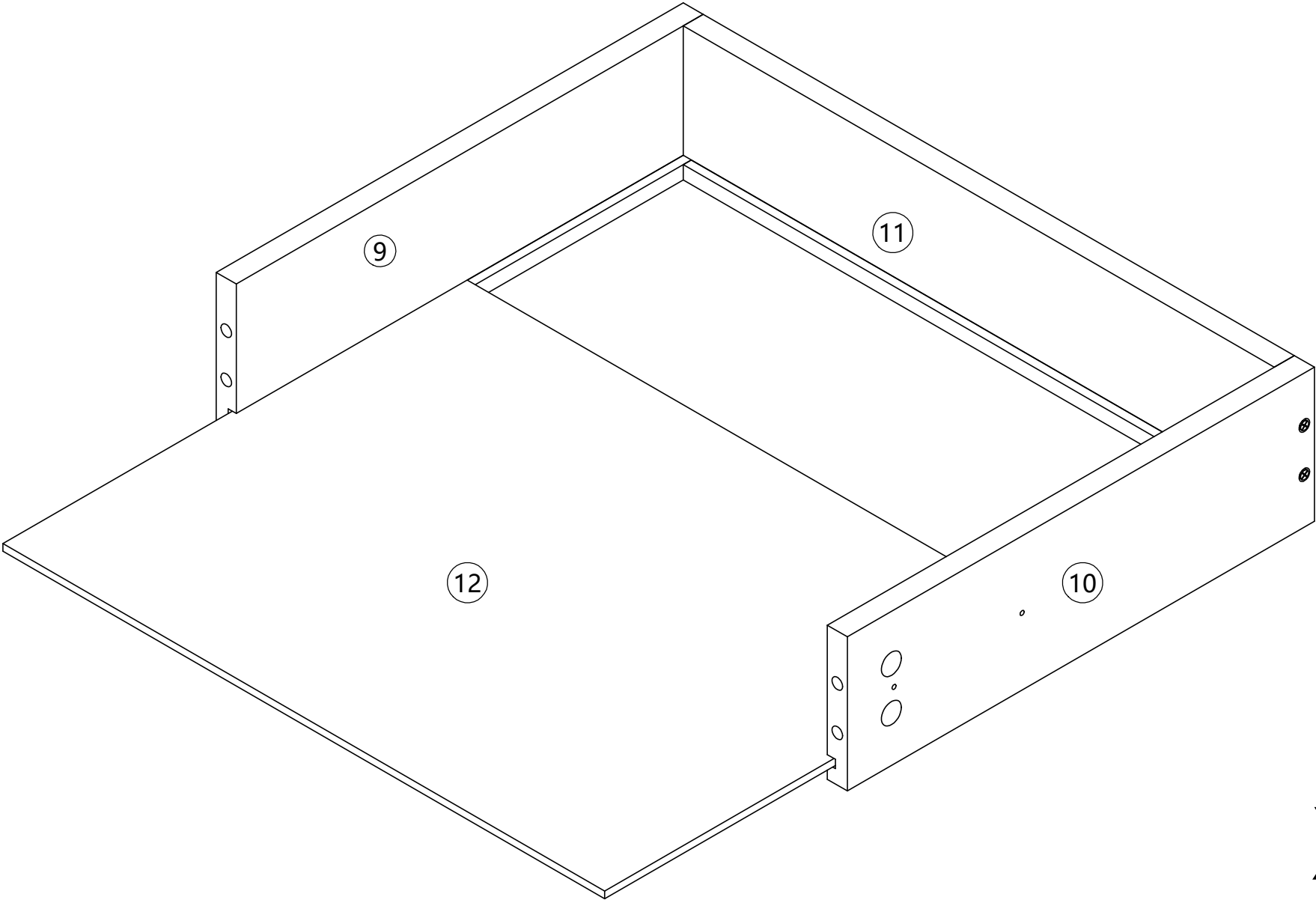
H



X8



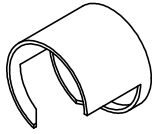
Step 15



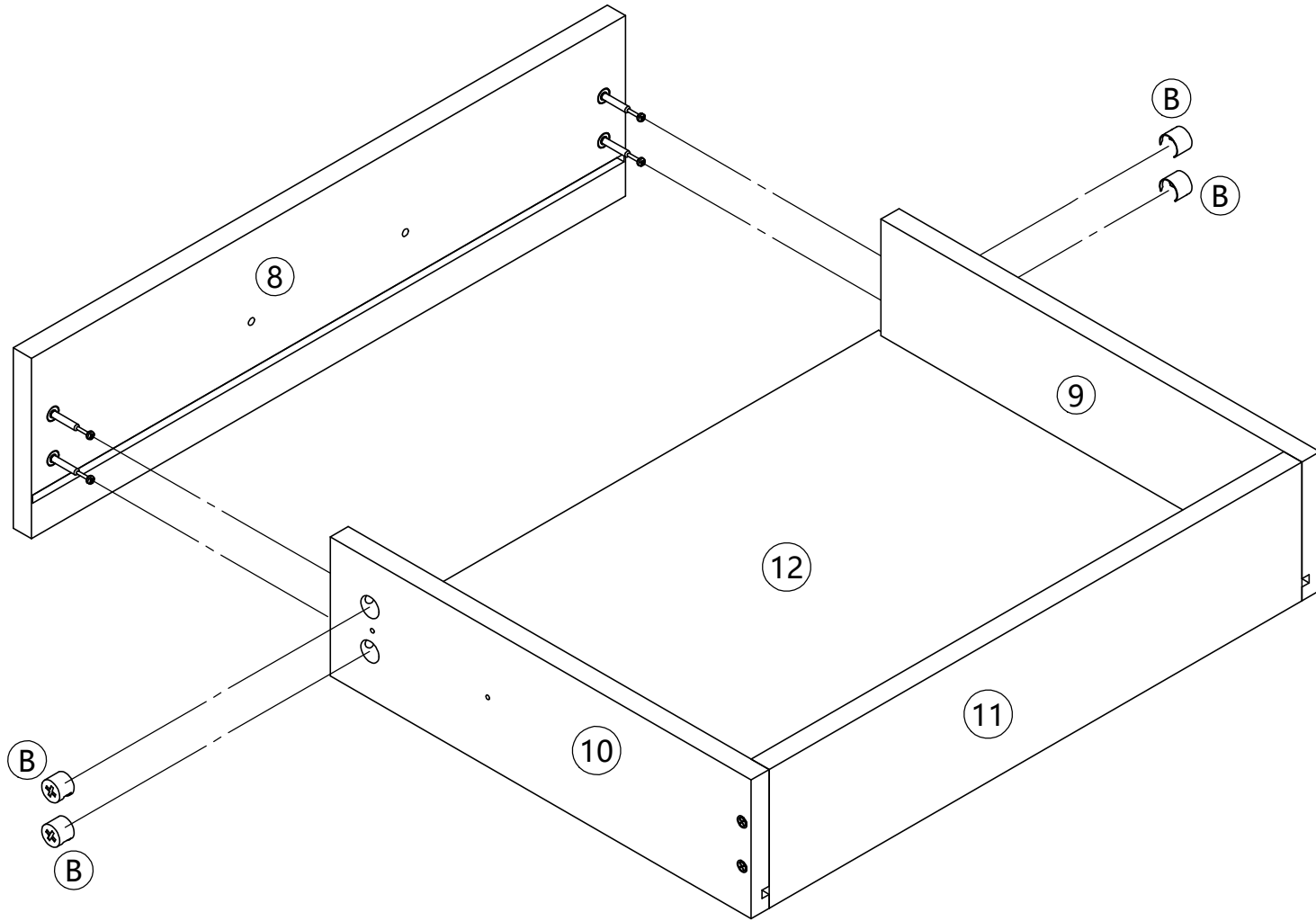
X2

Step 16

(B)



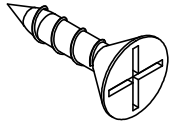
X8



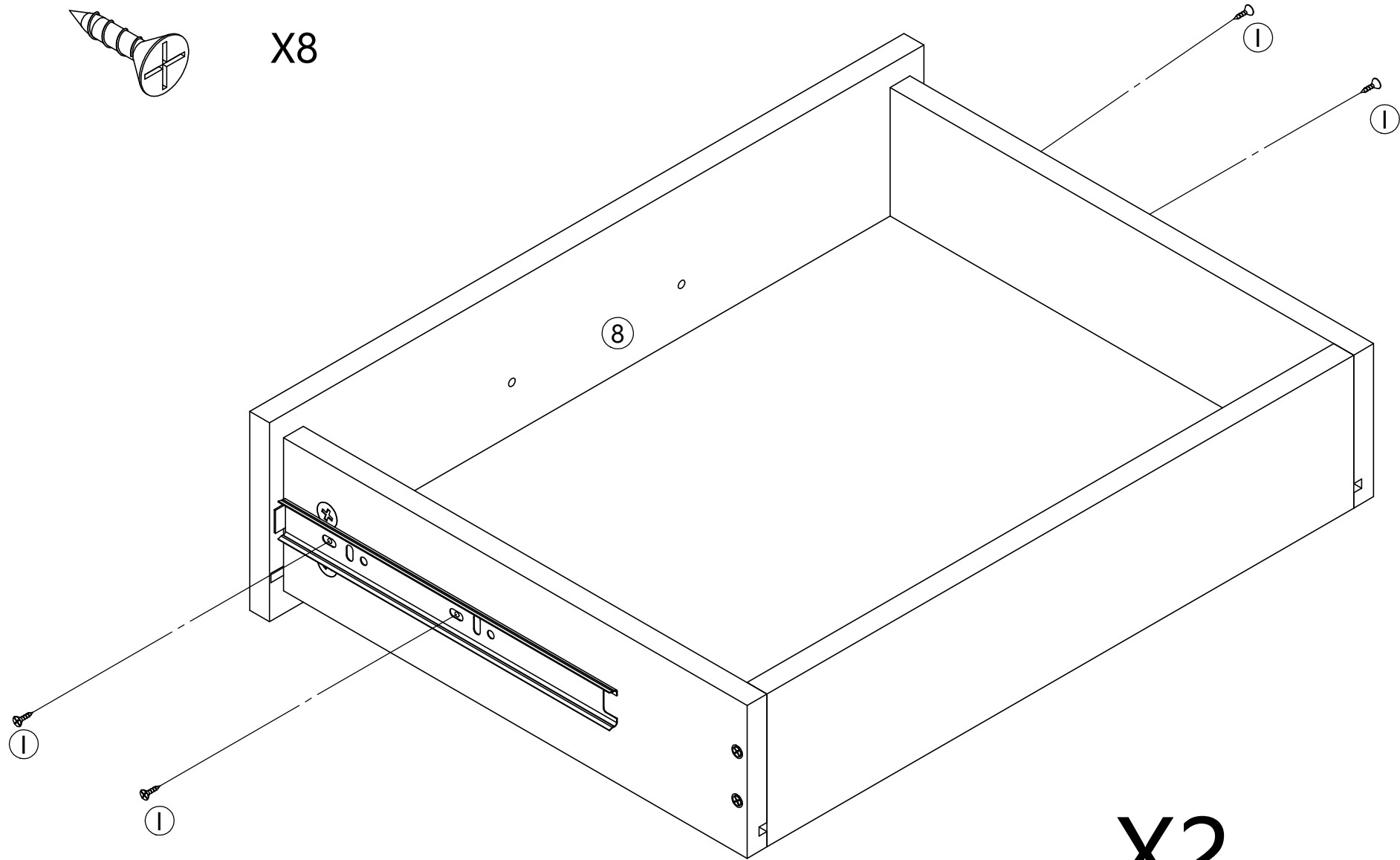
X2

Step 17

①



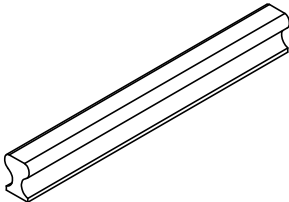
X8



X2

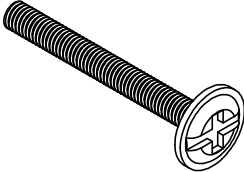
Step 18

F

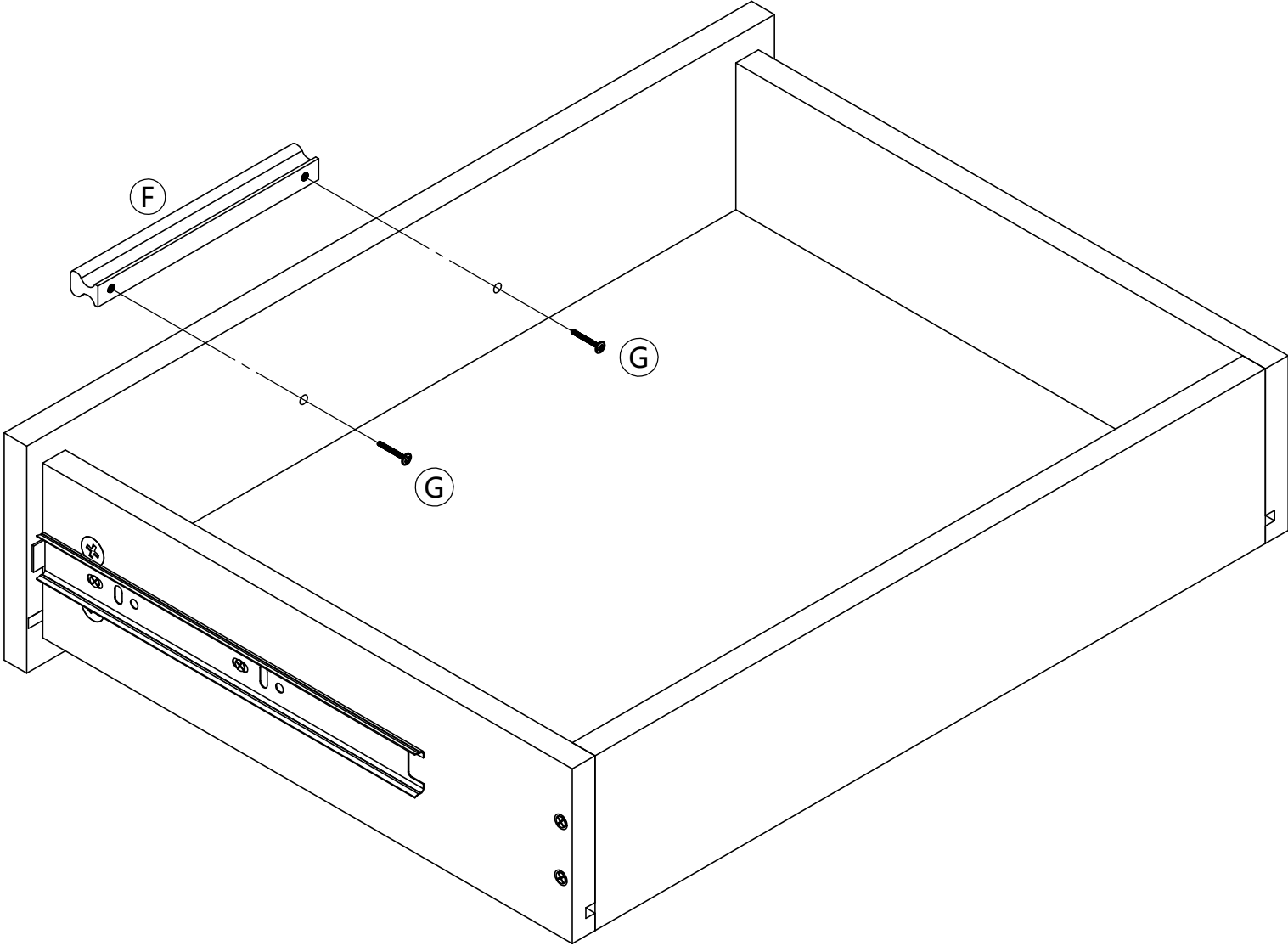


X2

G

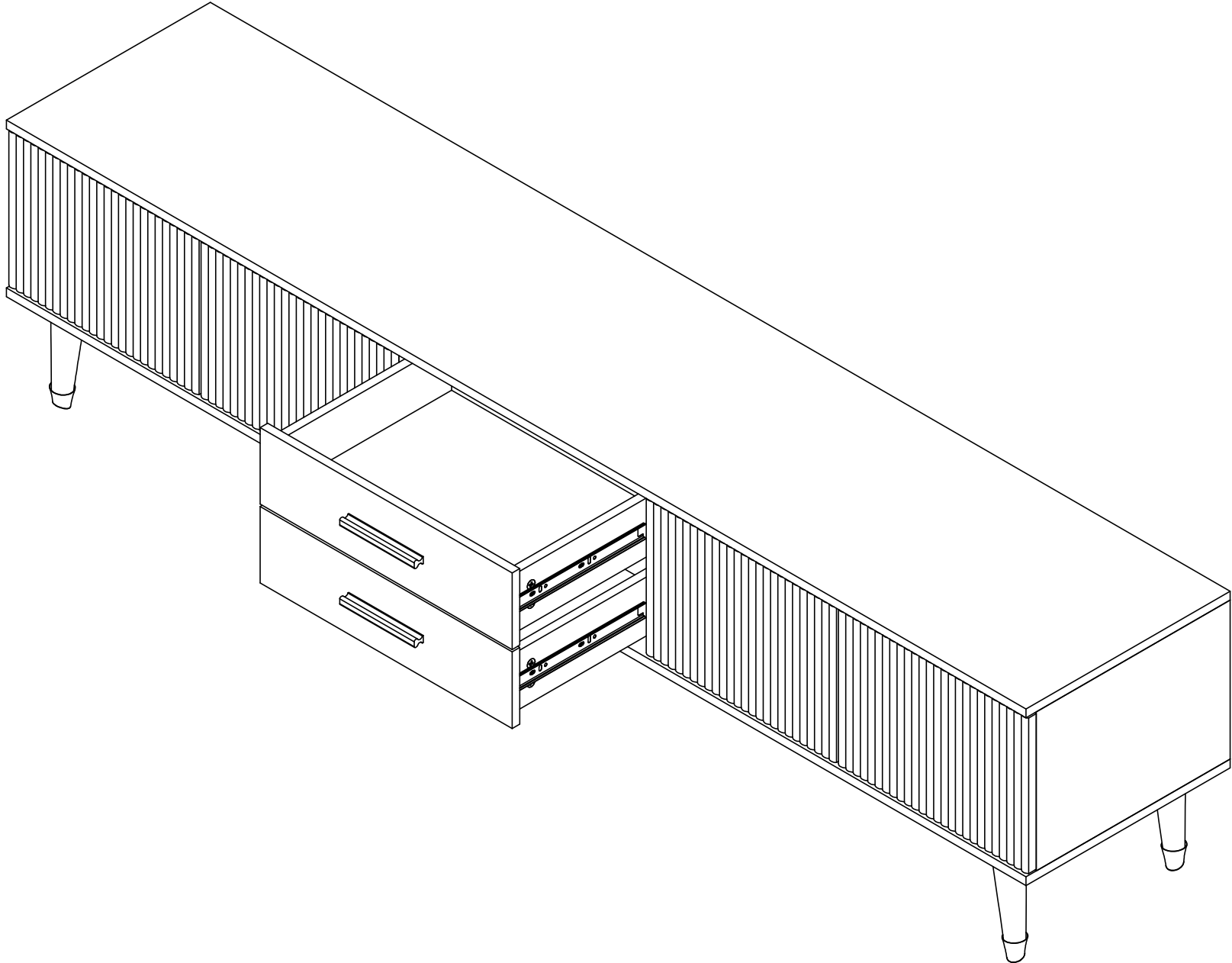


X4



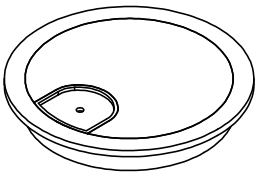
X2

Step 19



Step 20

J



x2

