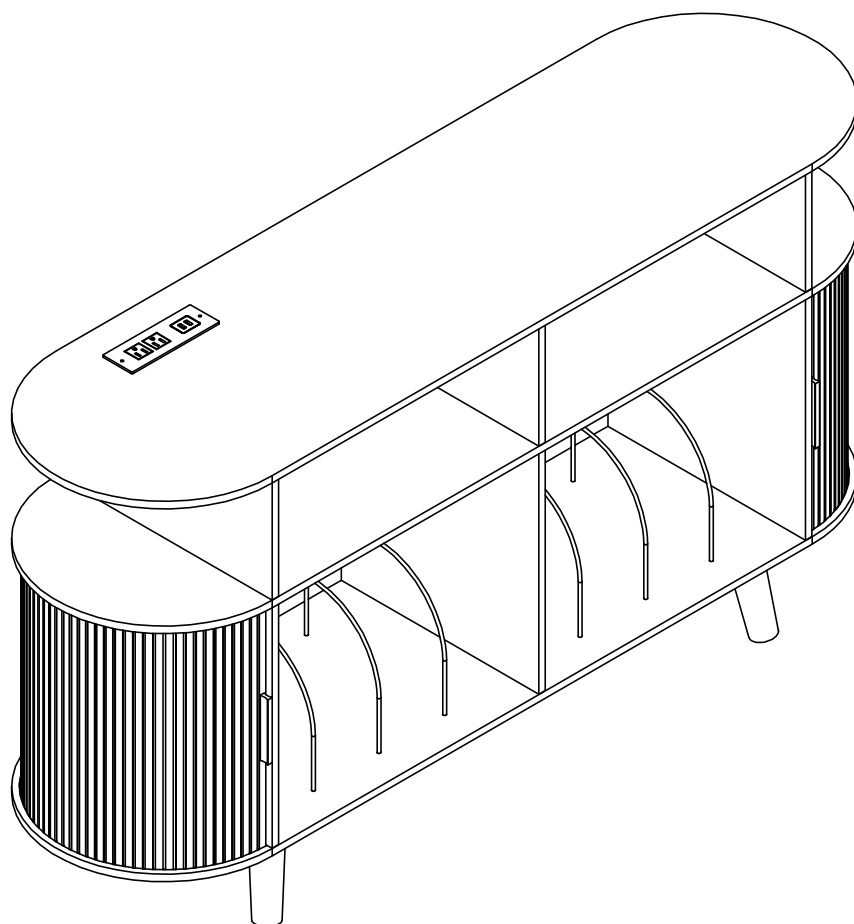


Installation Instruction



Assembling

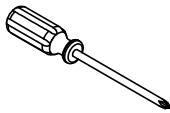
Estimated time for assembly



45 : 00

What you need

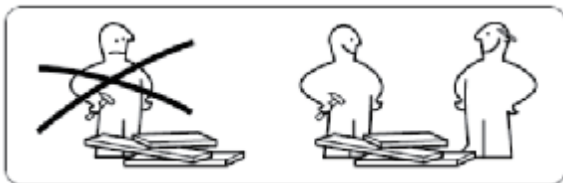
- Use the packaging carton as a working surface to prevent product damage during assembly
- Phillips head screwdriver



Weight Limitation



100 | **35**
lbs table top lbs per

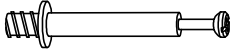


What' included

Code	Description	Qty
A	Cam Bolt M6X35MM	12
B	Cam Lock 15X10MM	12
C	Wooden Dowel M6X30MM	24
D	Screw M4X40MM	14
E	Screw M3.5X12MM	28
F	Metal shake handhandle	2
G	Nylon Strap	2
H	Screw M3.5X12MM	18
I	Foot nail	4
J	The back button	16
K	Anchor	2
L	Extension cord	1
M	Adjustable Leveler	1
N	Four hole iron sheet	1
O	Five hole iron sheet	4
P	Cam Bolt M4X8MM	4
Q	Hole position sticker	12

The Hardwares

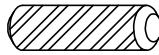
A



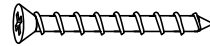
B



C



D



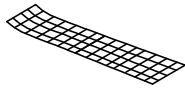
E



F



G



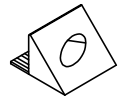
H



I



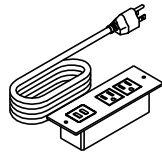
J



K



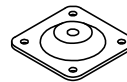
L



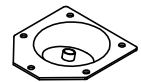
M



N



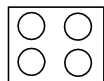
O



P



Q



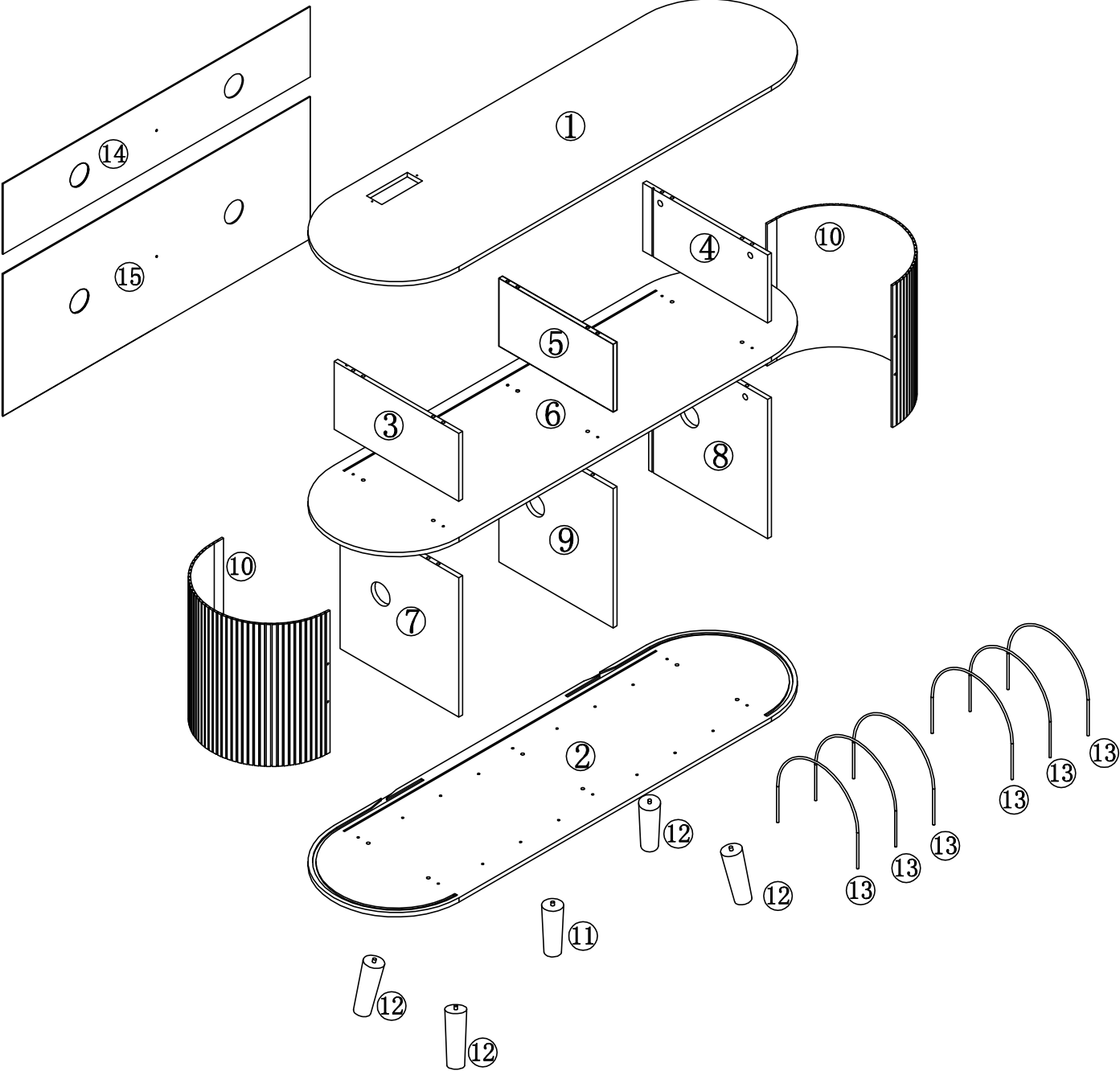
IMPORTANT:

1. Do not tighten bolts / screws completely until all bolts / screws are lined up and inserted into holes.
2. Do not over tighten screws and bolts to avoid stripping
3. Please use hand tools to assemble this product. Do not use power tools.

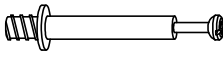
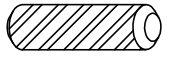
Included Accessories

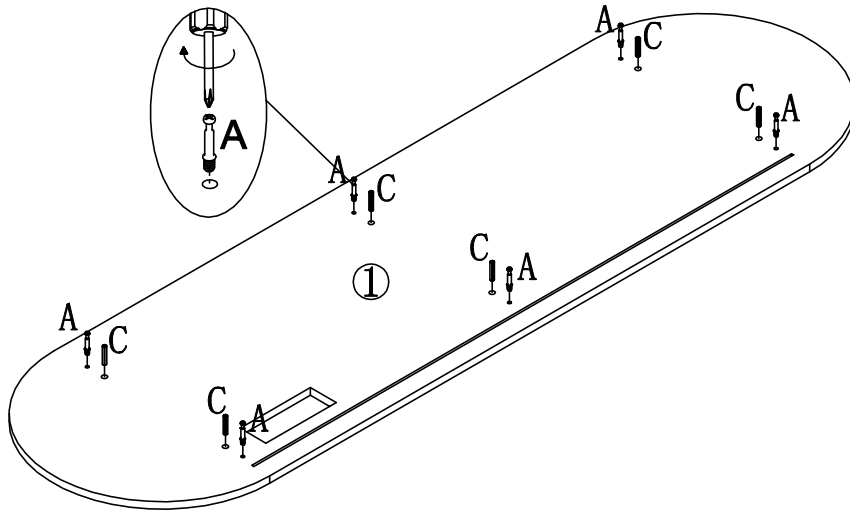
Code	Description	Qty
1	Cabinet Top	1
2	Bottom Panel	1
3	Superior left side plate	1
4	Superior right side plate	1
5	Upper middle side plate	1
6	Laminate	1
7	Inferior left side plate	1
8	Inferior right side plate	1
9	Lower middle side plate	1
10	Coaming panel	2
11	Adjustable foot	1
12	Solid wood foot	4
13	Circular bar	6
14	Epigonotum	1
15	Hypotergite	1

The Accessories

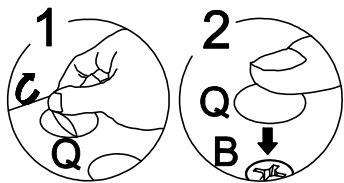



Step 1

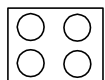
A	x 6	C	x 6
			

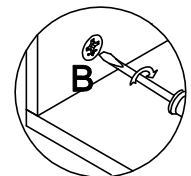
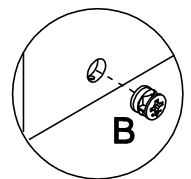
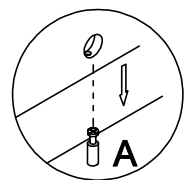
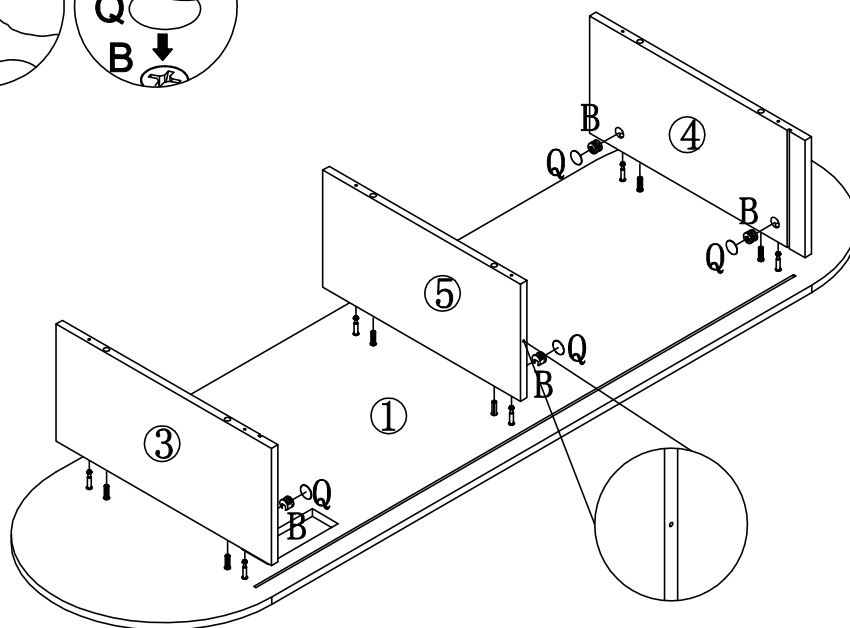


Step 2

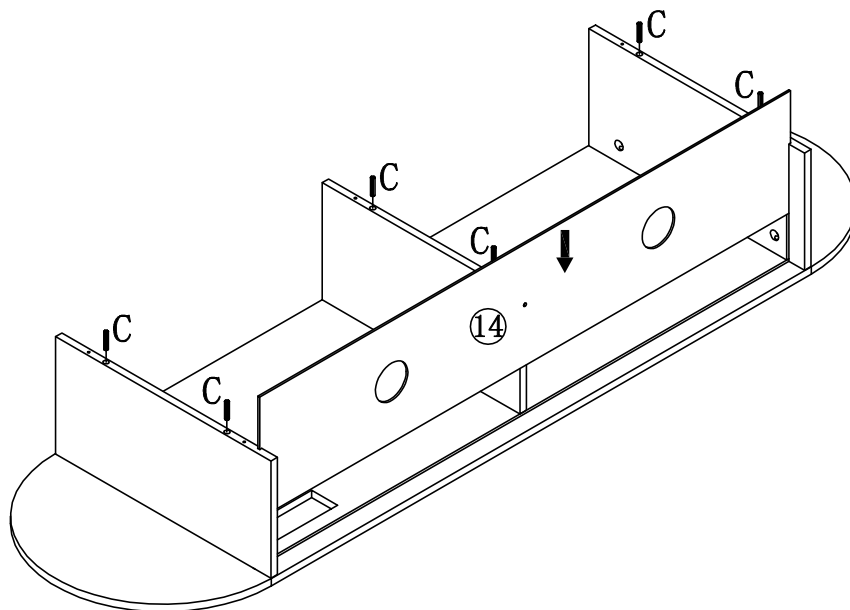
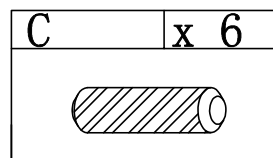


B	x 6
	

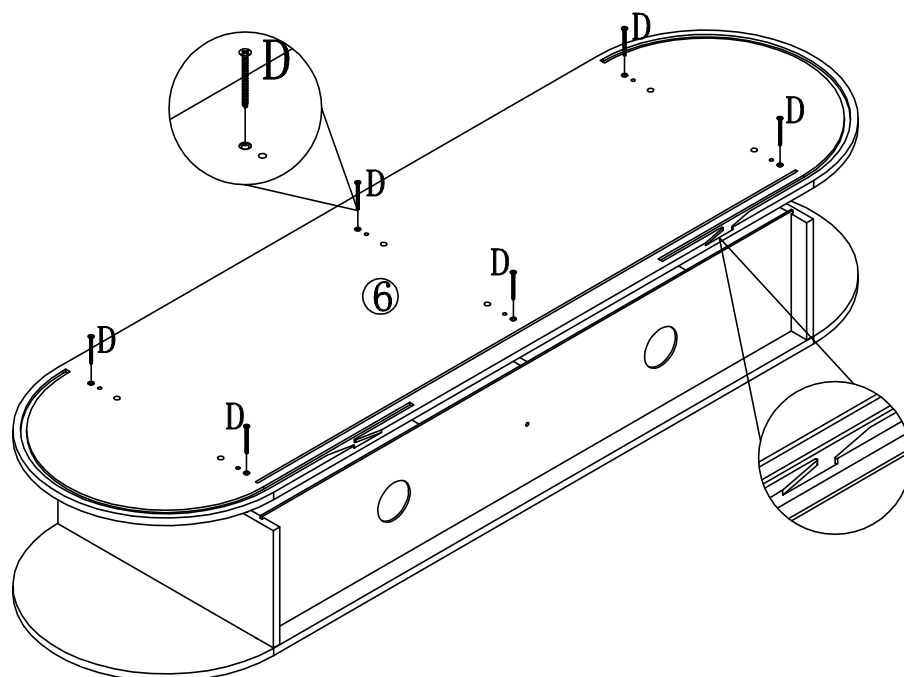
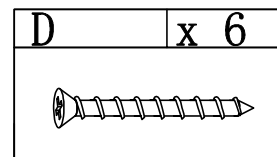
Q	x 6
	



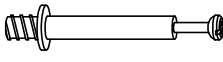
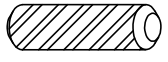
Step 3

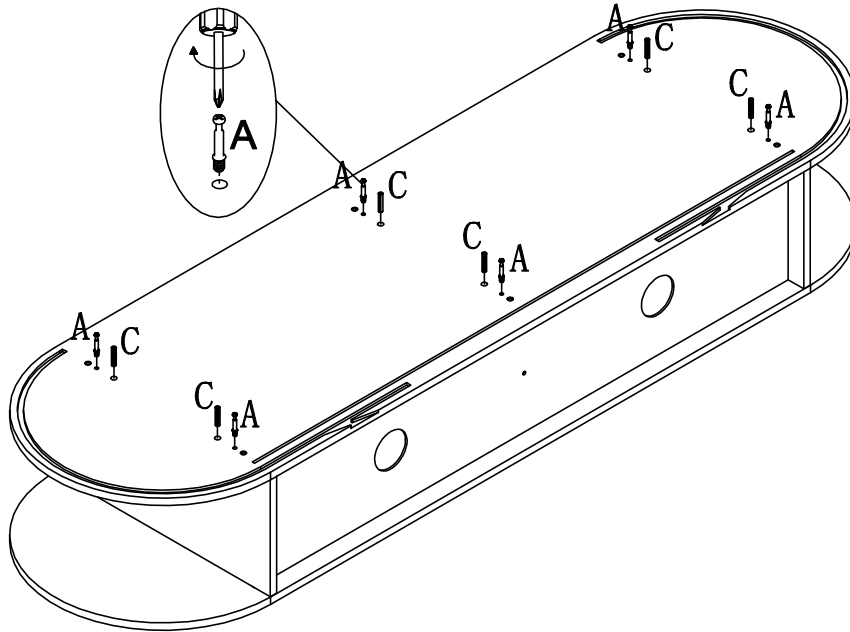


Step 4

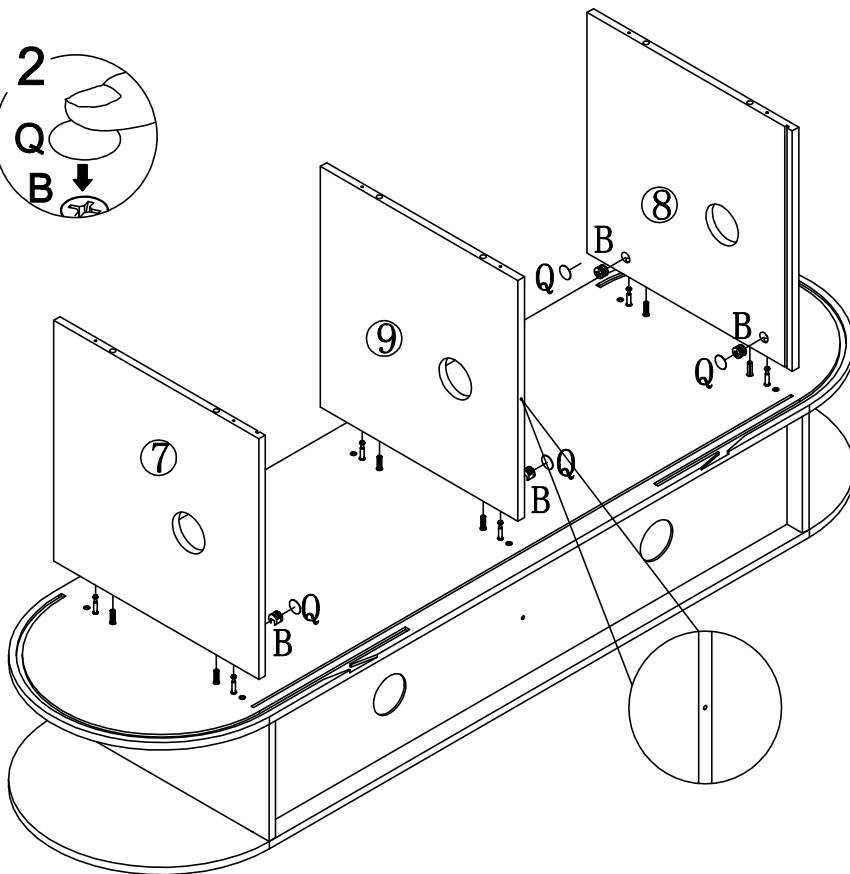
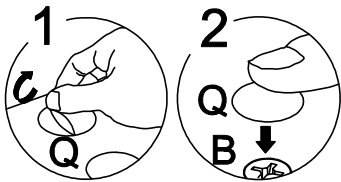



Step 5

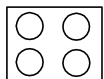
A	x 6	C	x 6
			

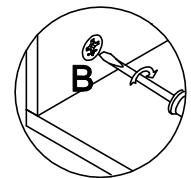
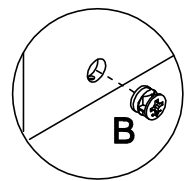
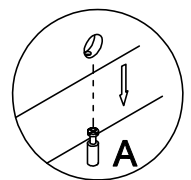


Step 6

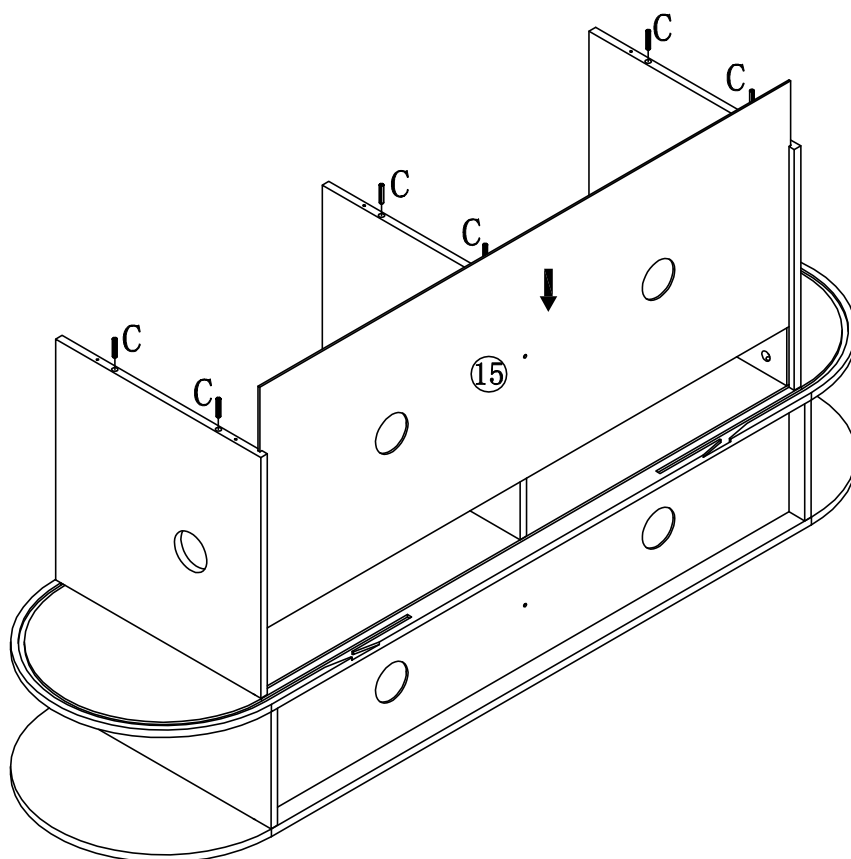
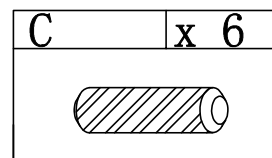


B	x 6
	

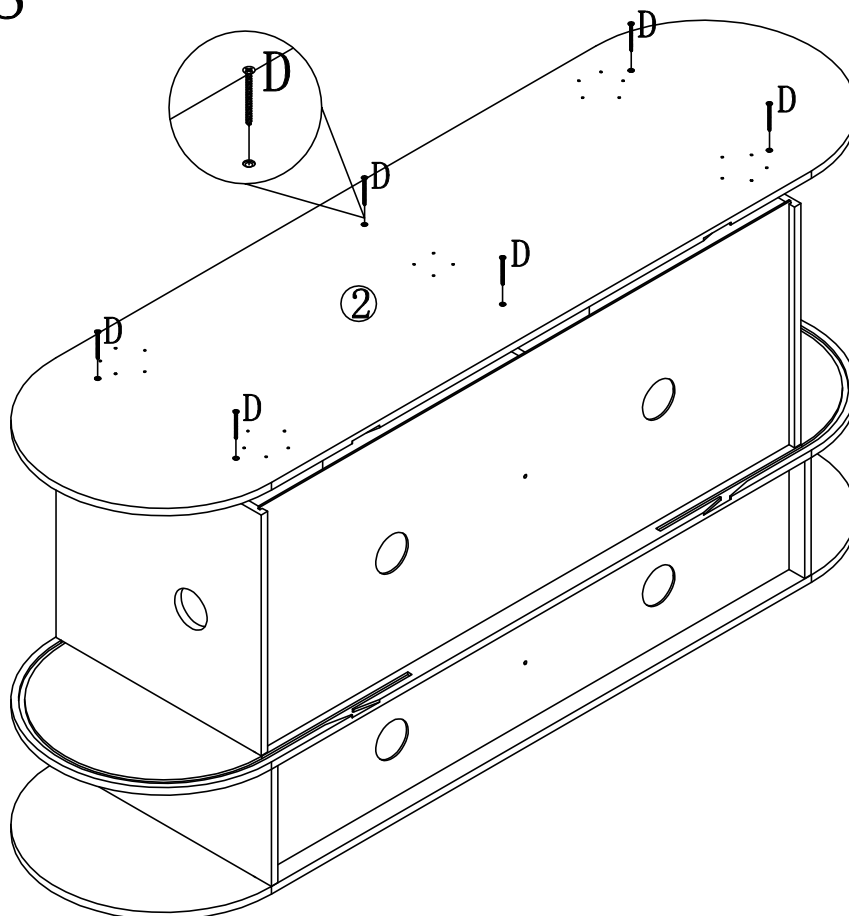
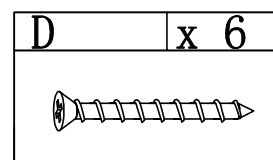
Q	x 6
	



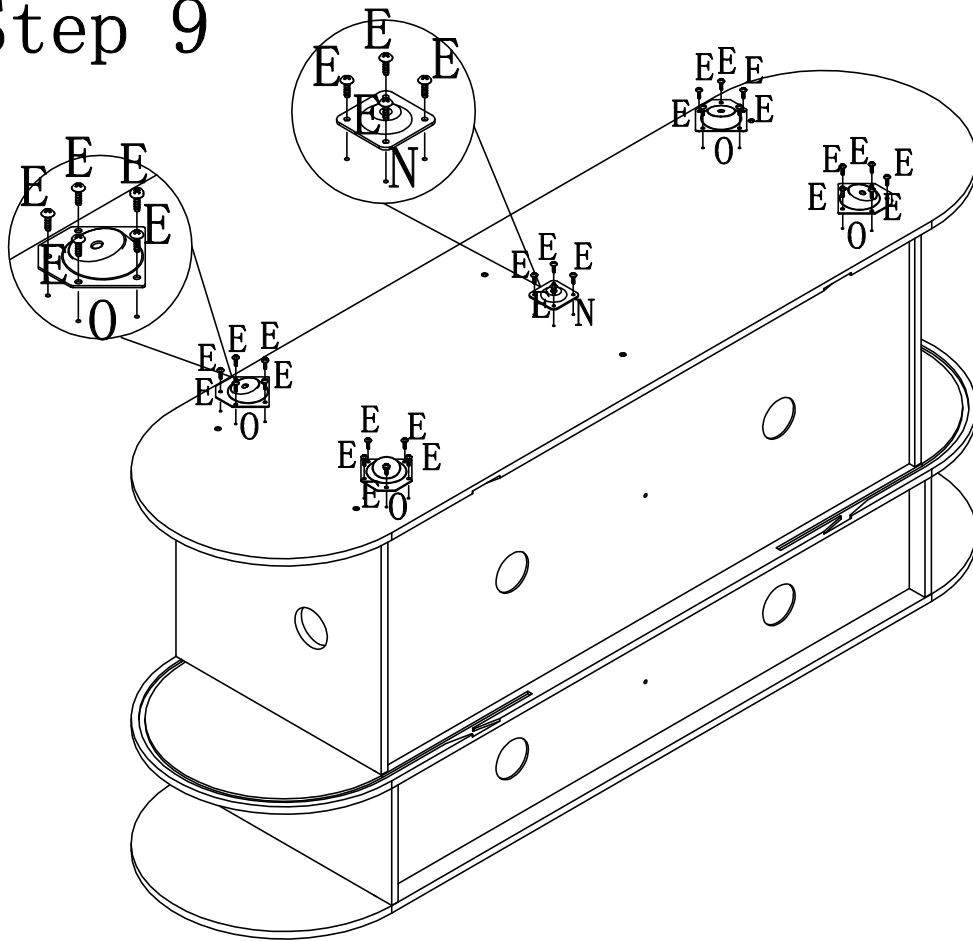
Step 7



Step 8



Step 9

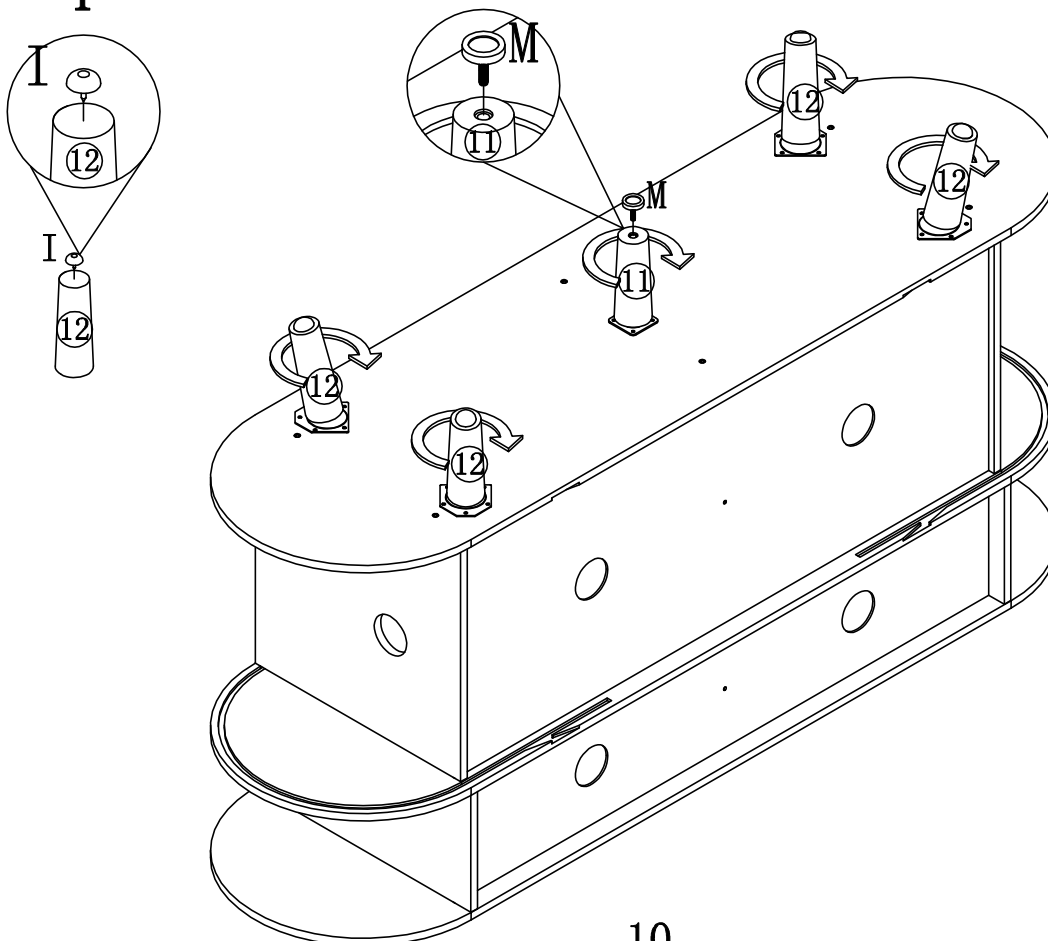


E	x 24

N	x 1

O	x 4

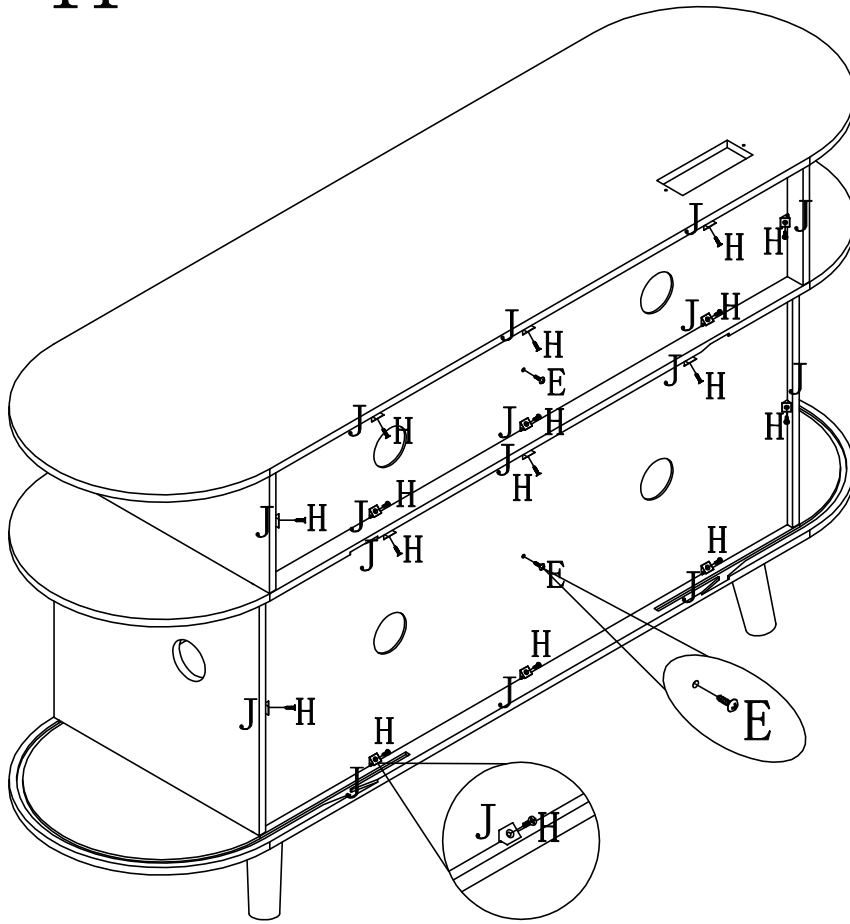
Step 10

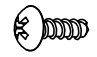



I	x 4

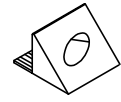
M	x 1

Step 11

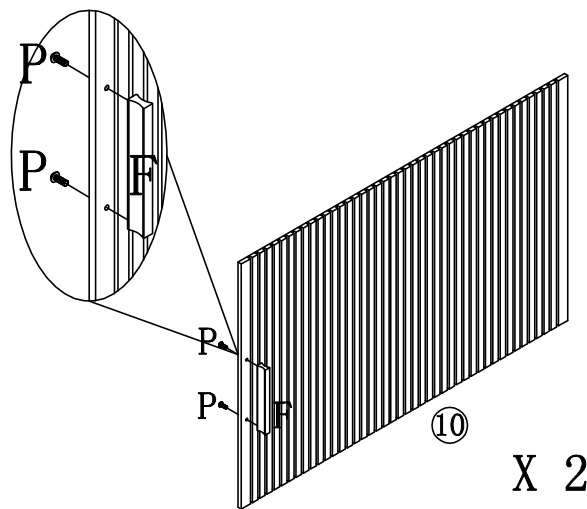


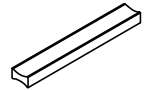
E	x 2
	


H	x 16
	

J	x 16
	

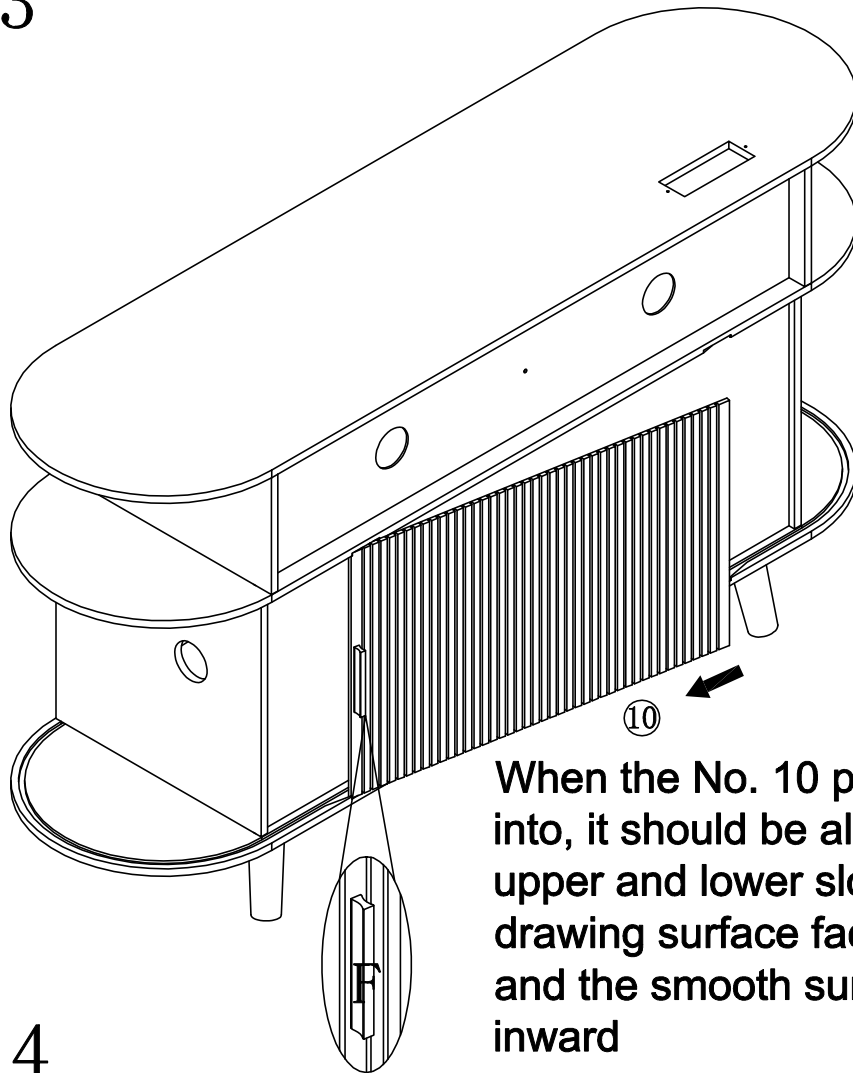
Step 12



F	x 2
	

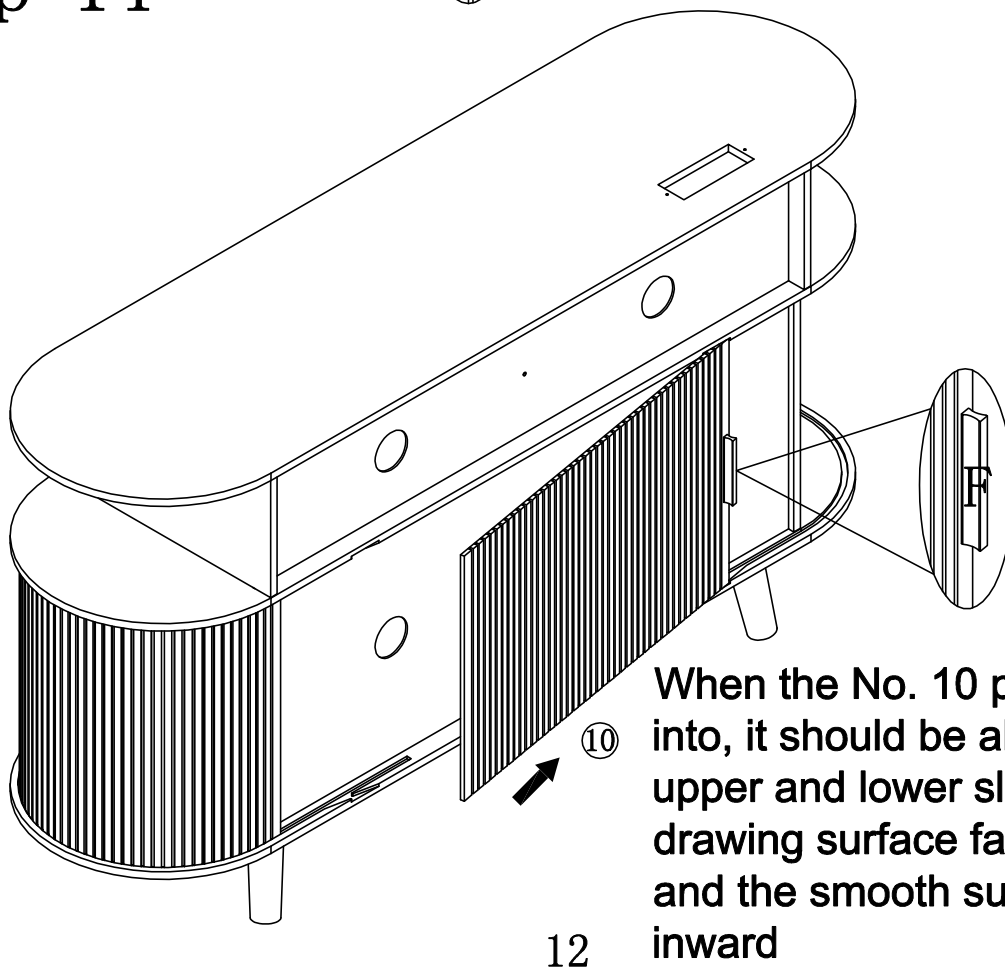
P	x 4
	

Step 13



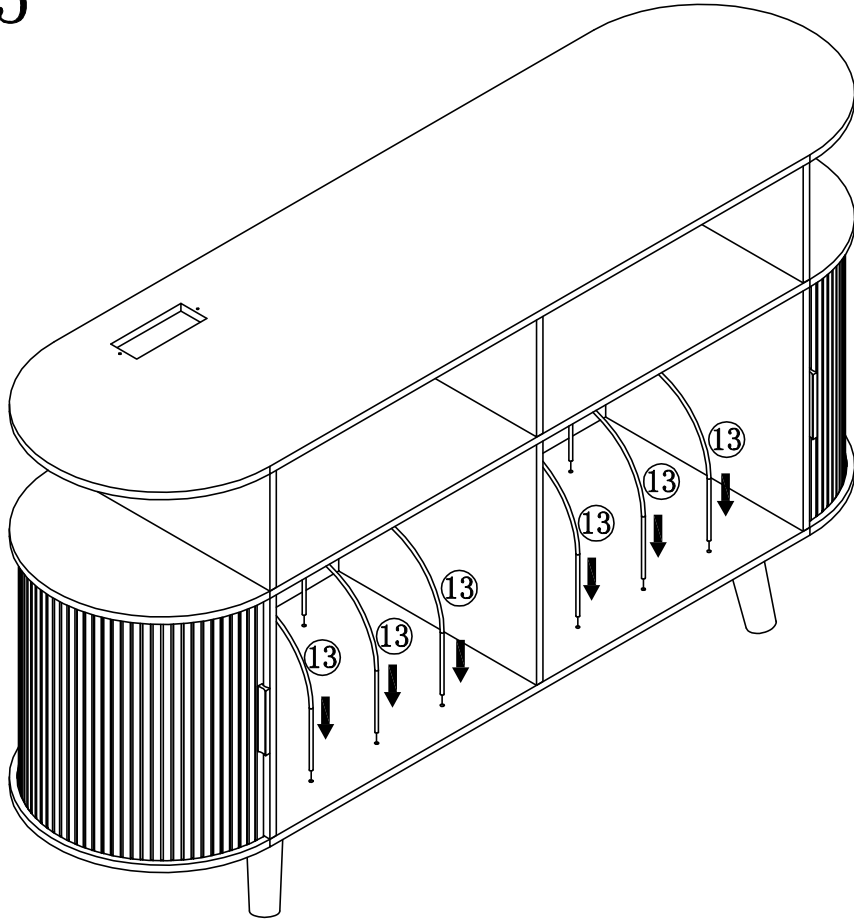
When the No. 10 plate is pushed into, it should be aligned with the upper and lower slots, with the drawing surface facing outward and the smooth surface facing inward

Step 14

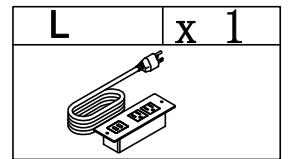
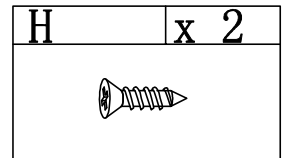
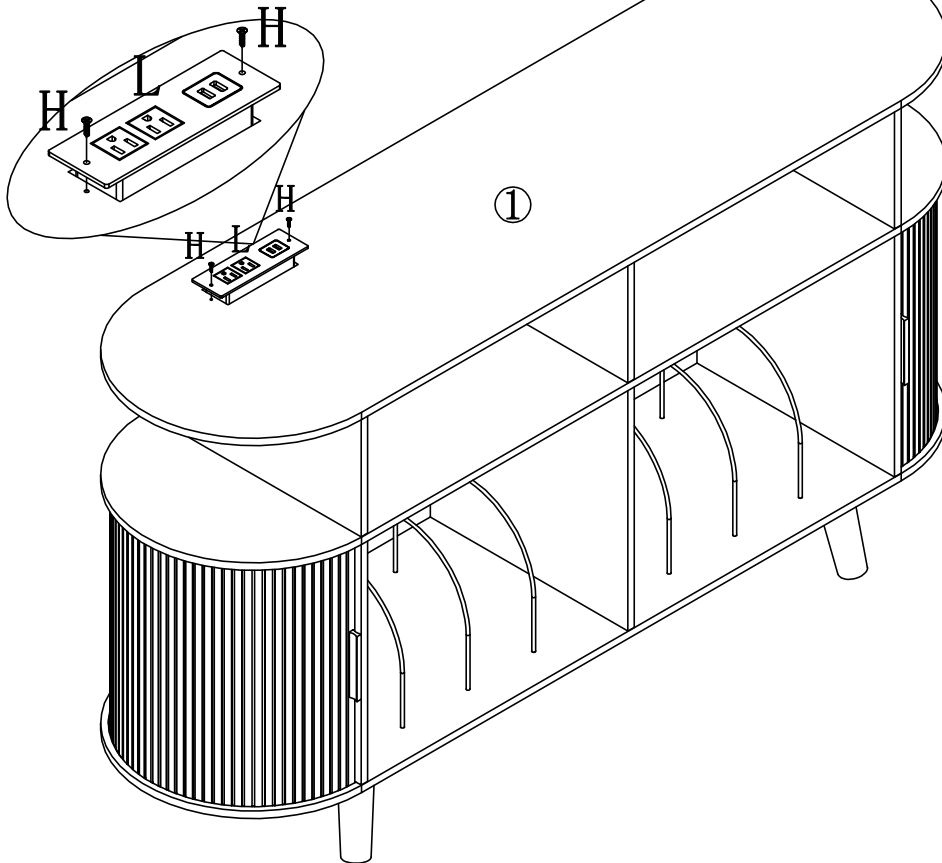


When the No. 10 plate is pushed into, it should be aligned with the upper and lower slots, with the drawing surface facing outward and the smooth surface facing inward

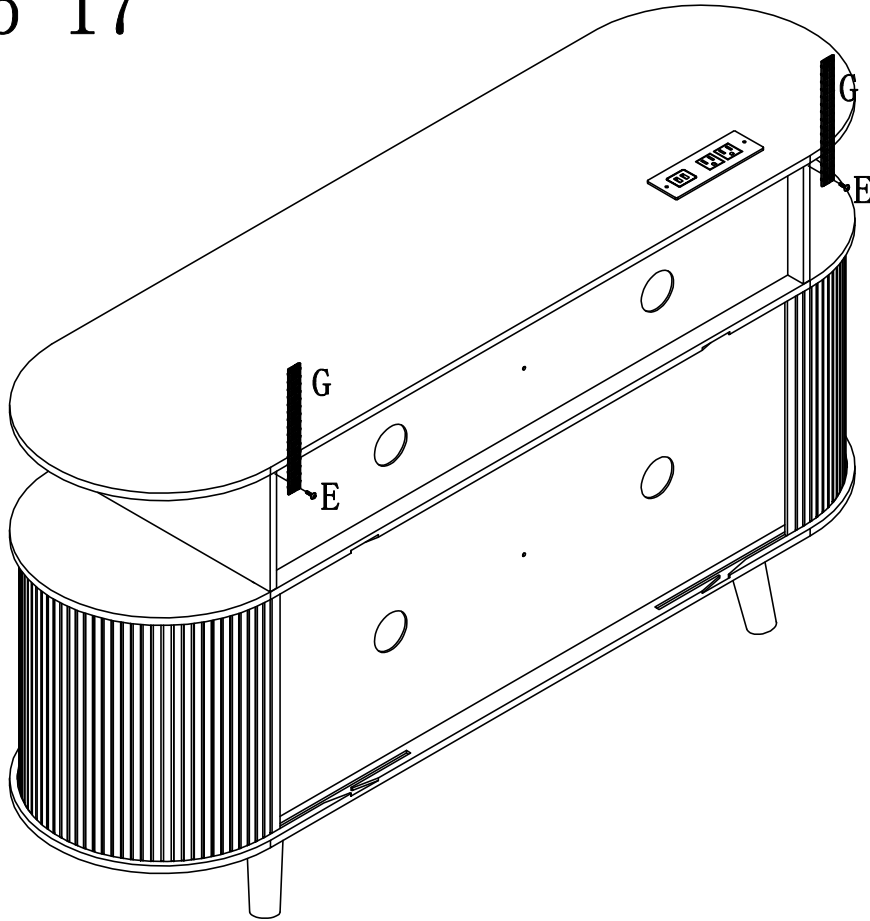
Step 15

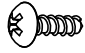


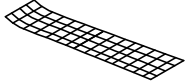
Step 16



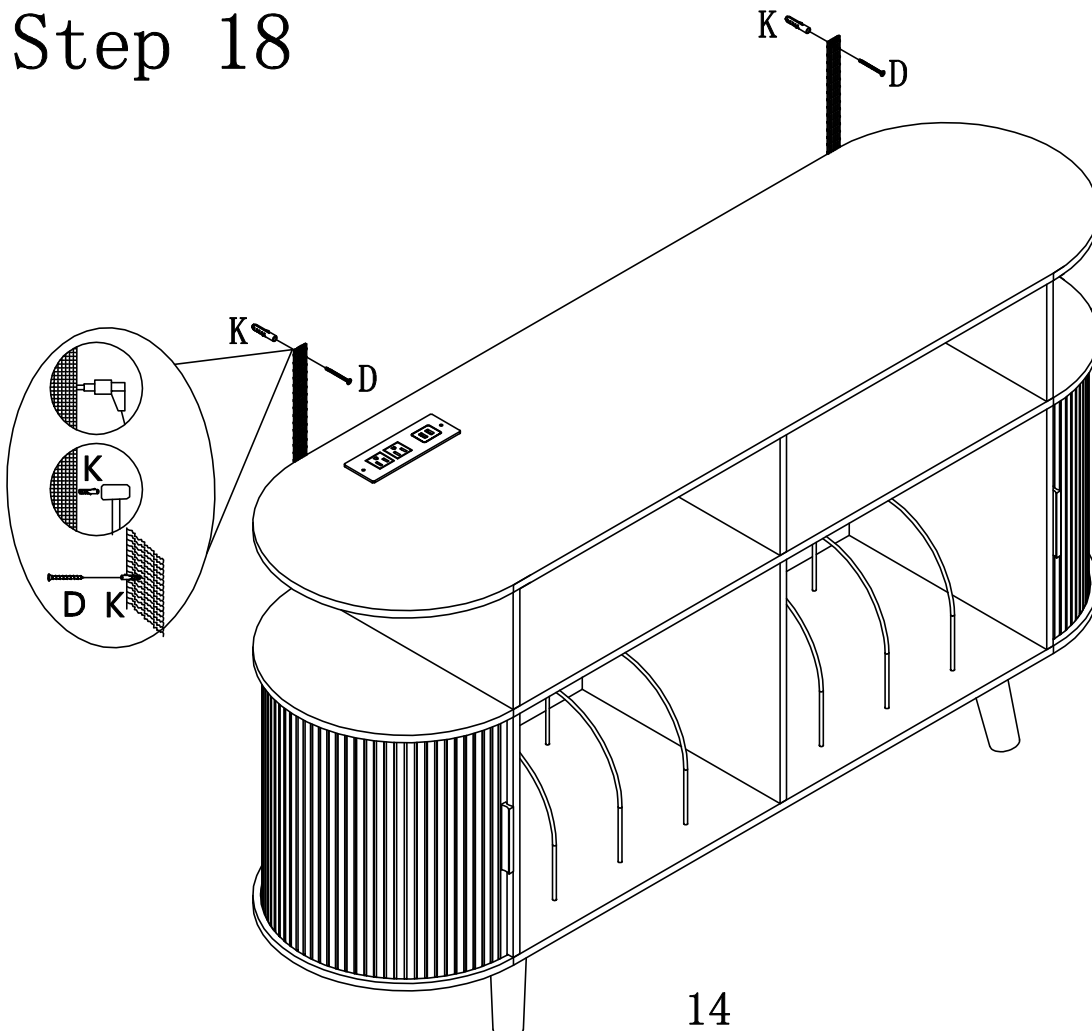
Step 17

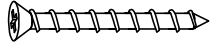


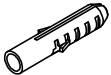
E	x 2
	

G	x 2
	

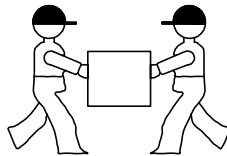
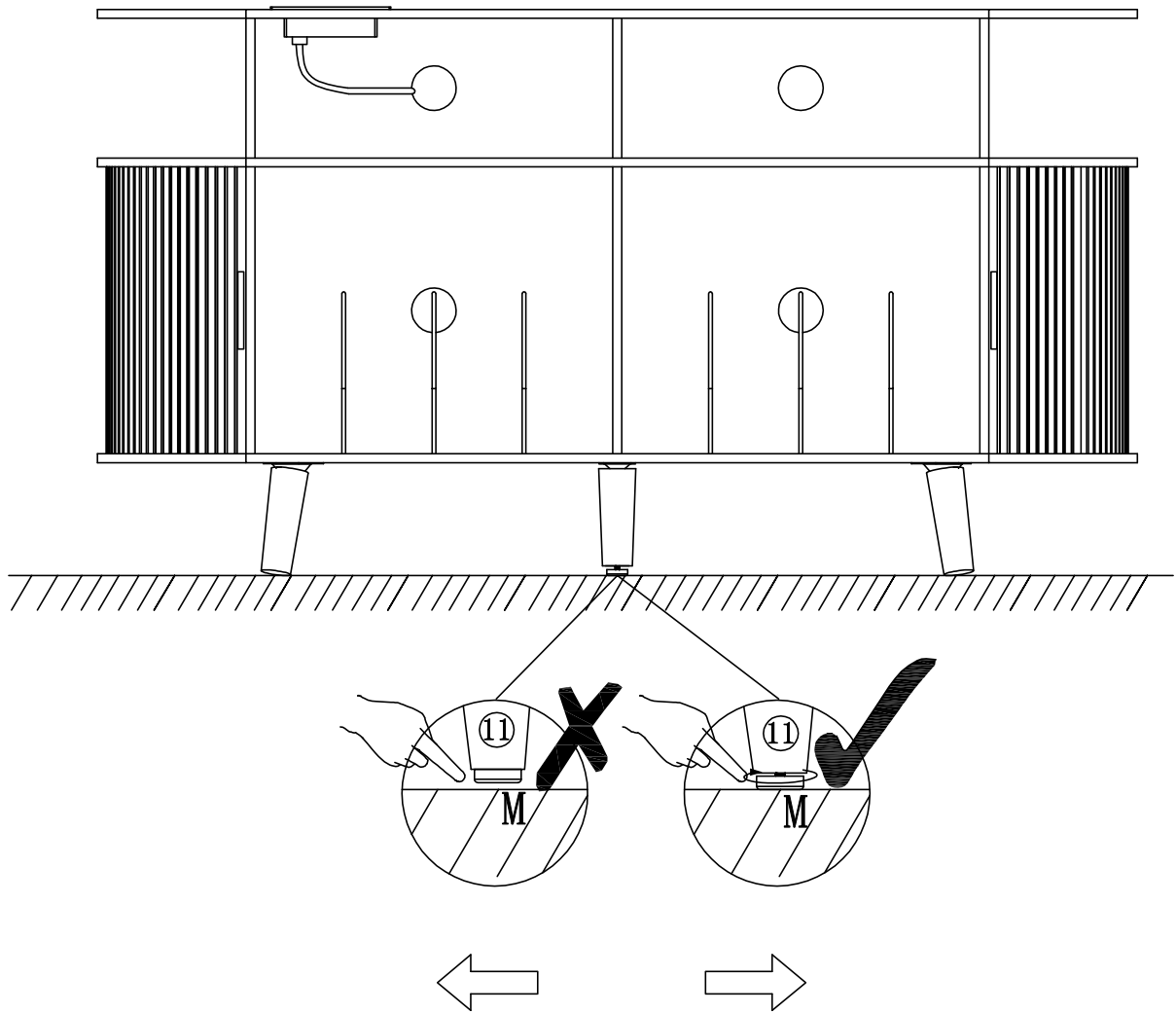
Step 18



D	x 2
	

K	x 2
	

Step 19



Two people work together to move the table.
Make sure you lift it off the ground.
Don't push and pull.