

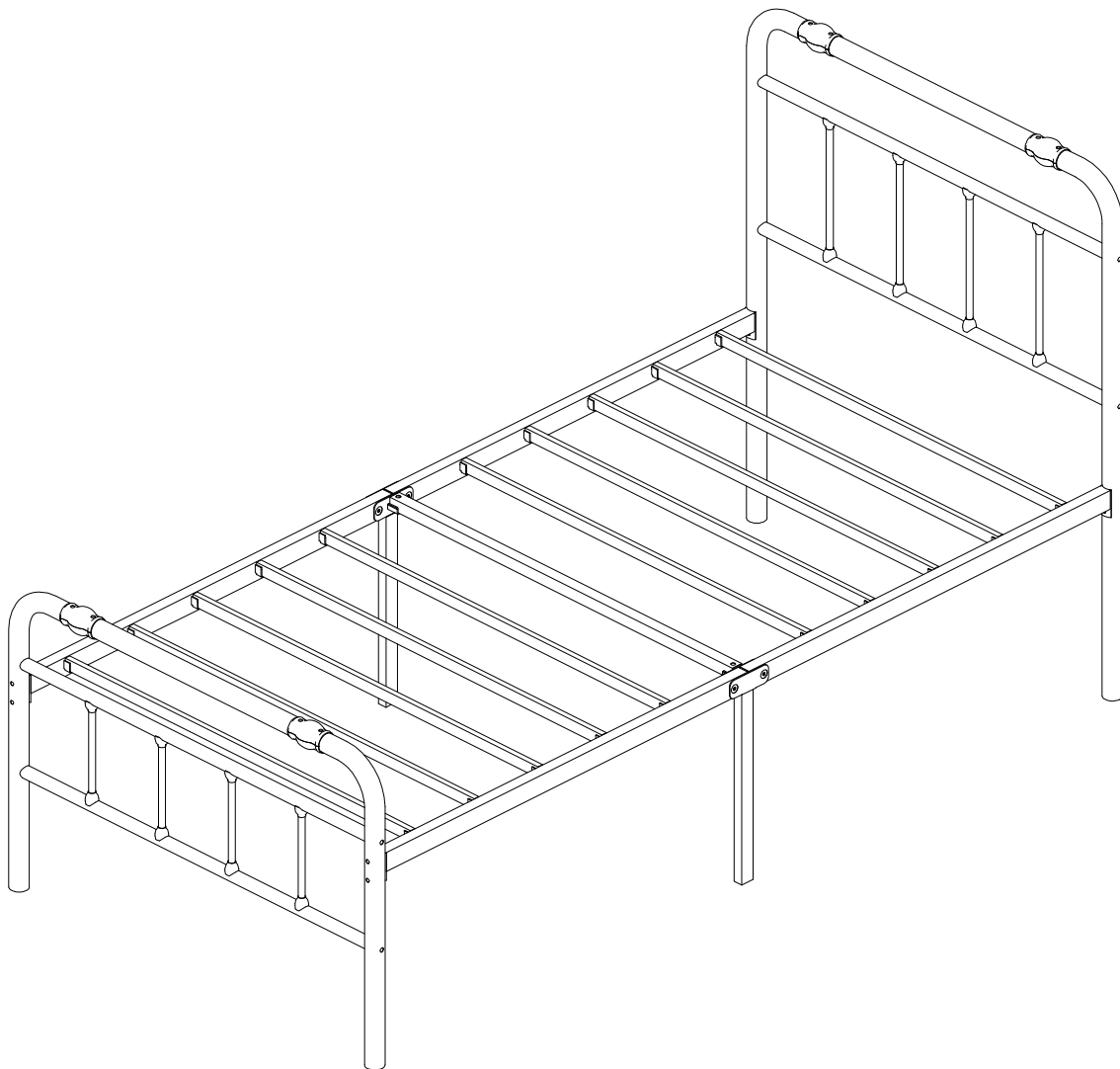
ASSEMBLY INSTRUCTION

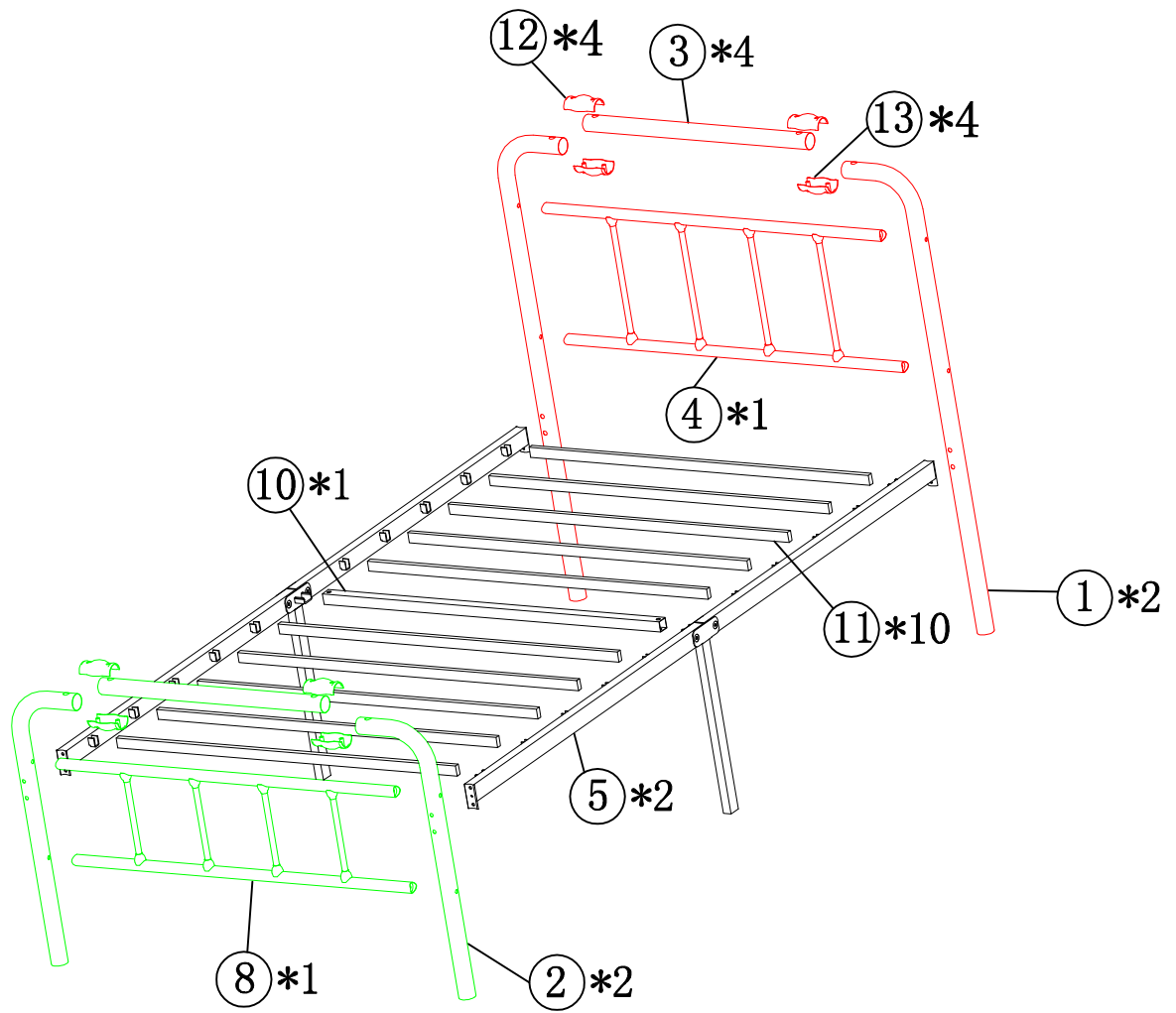
Dear sir/madam


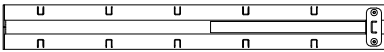



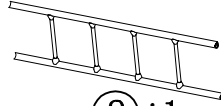






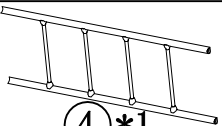


Thank you for choosing our product, please kindly notice that:

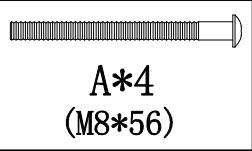
1, Do not skip step

2, Do not fullytight screws until all the bed parts are assembled

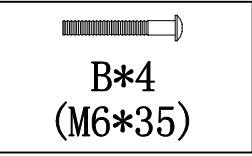
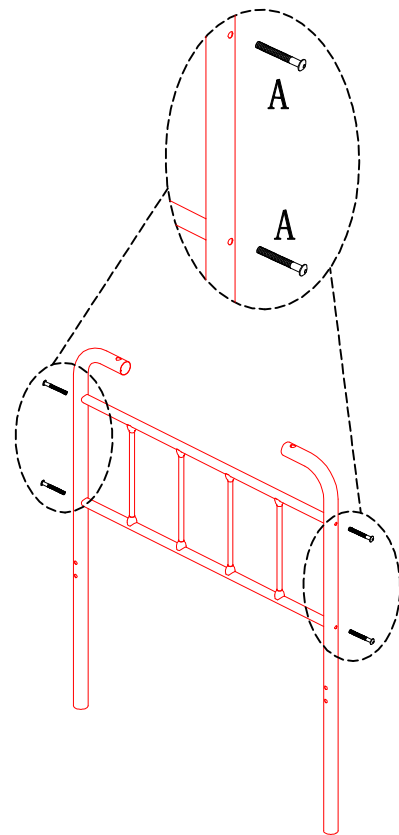
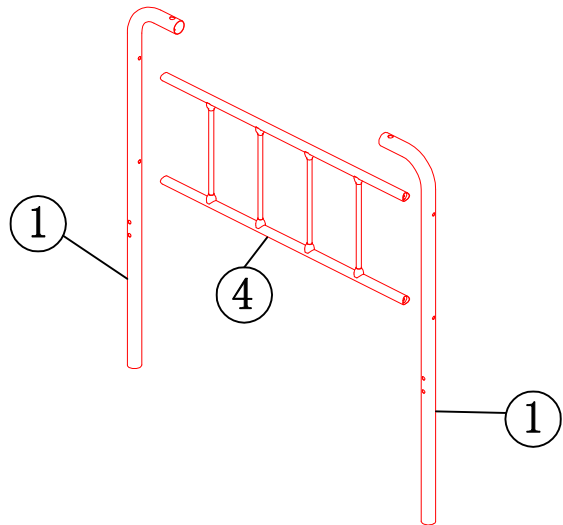




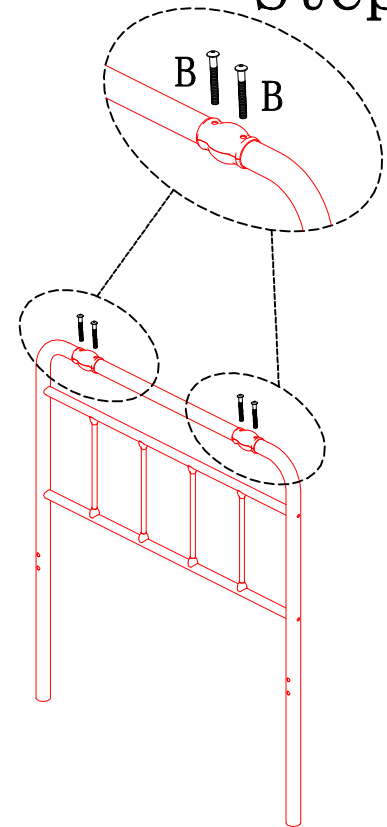
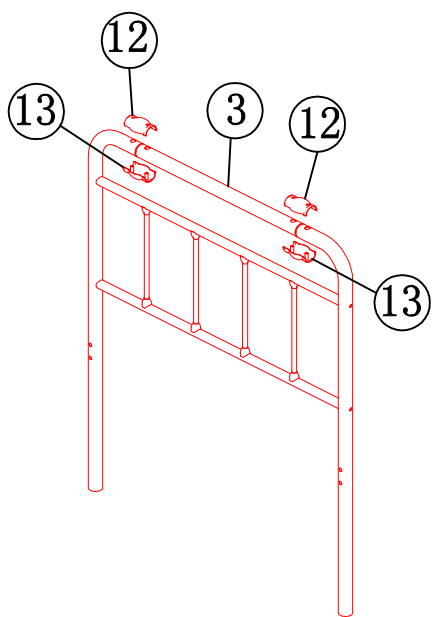
 ①*2	 ⑤*2	 ⑫*4	 ⑬*4
 ②*2	 ⑧*1	 A*9 (M8*56)	 D*3 (M8*35)
 ③*4	 ⑩*1	 B*9 (M6*35)	 E*1
 ④*1	 ⑪*10	 C*9 (M8*41)	

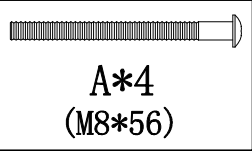


Step1

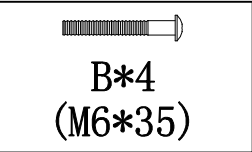
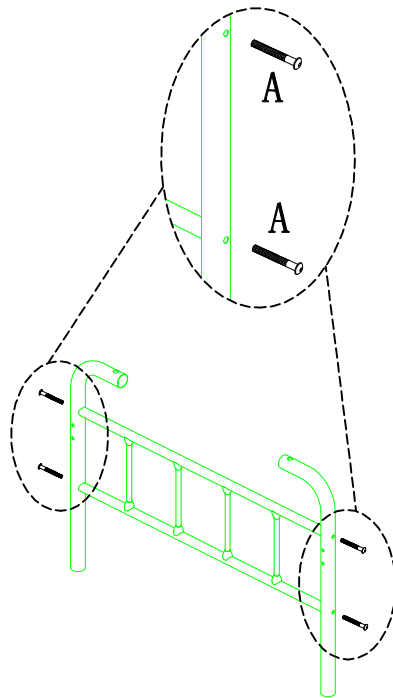
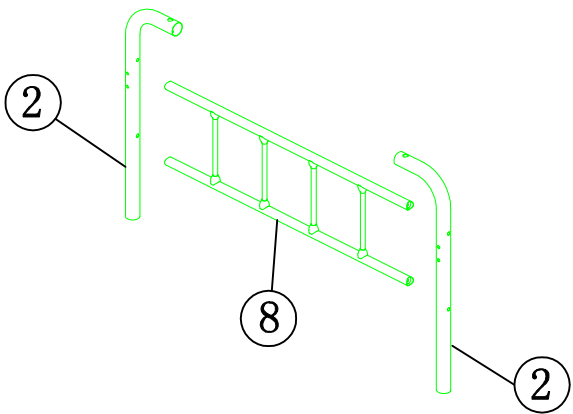


Step2

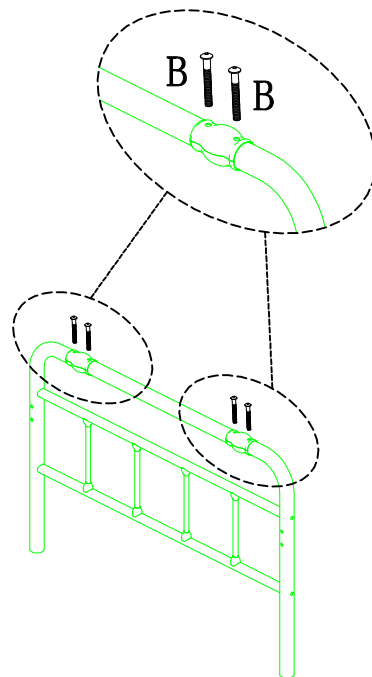
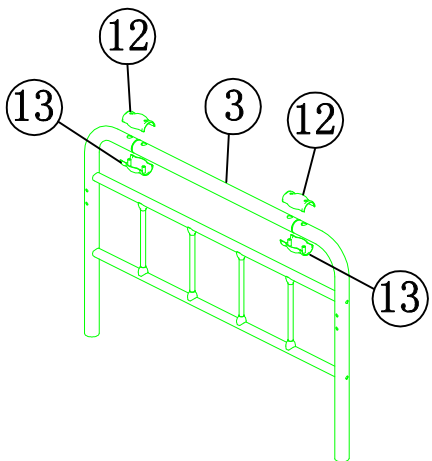




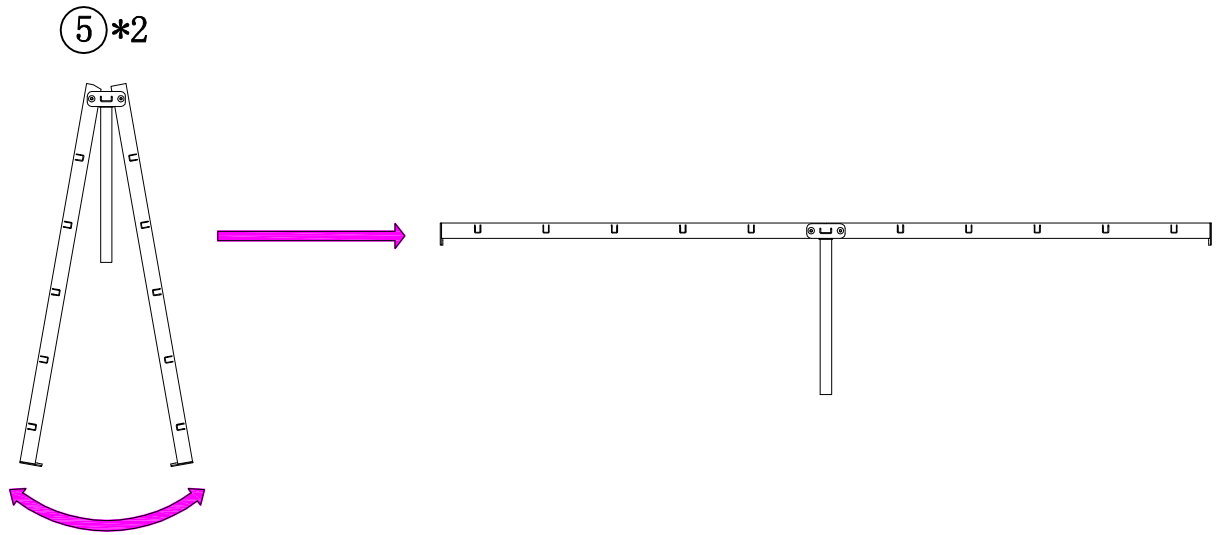
Step3



Step4

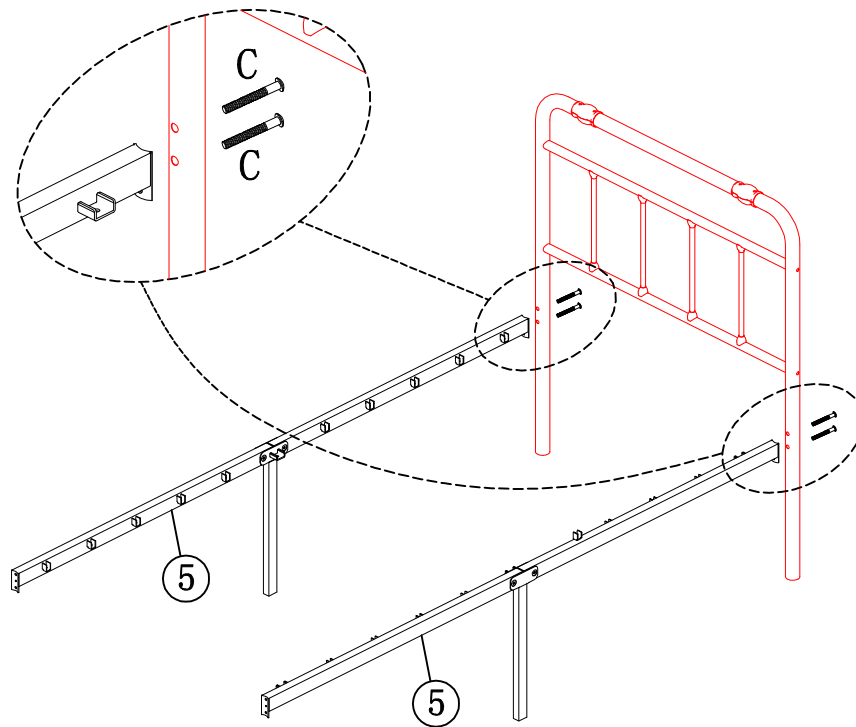


Step5



C*4
(M8*41)

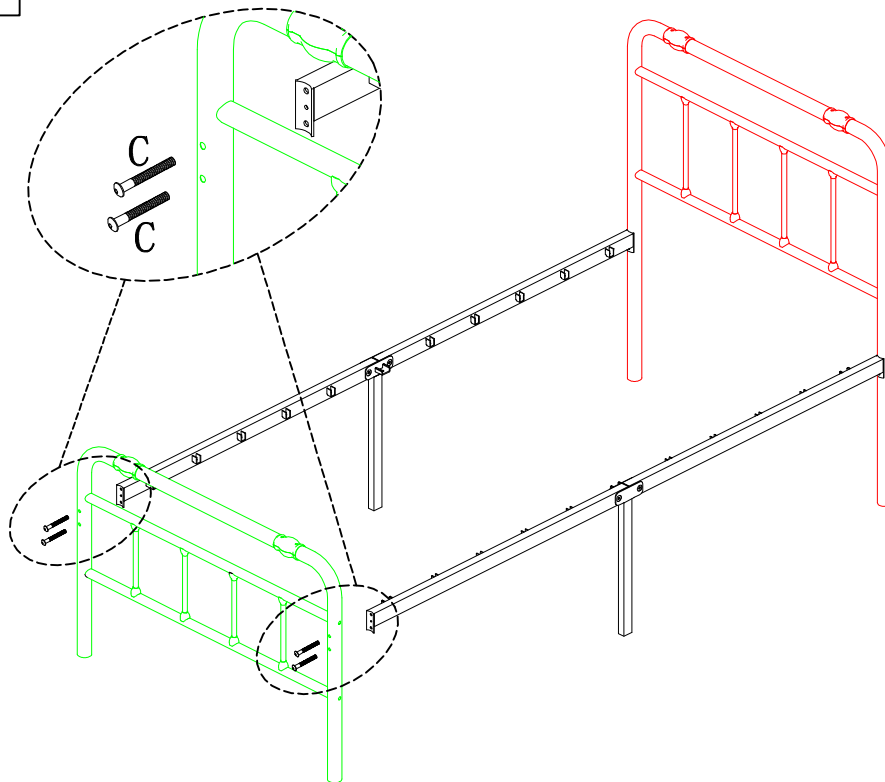
Step6



Step7



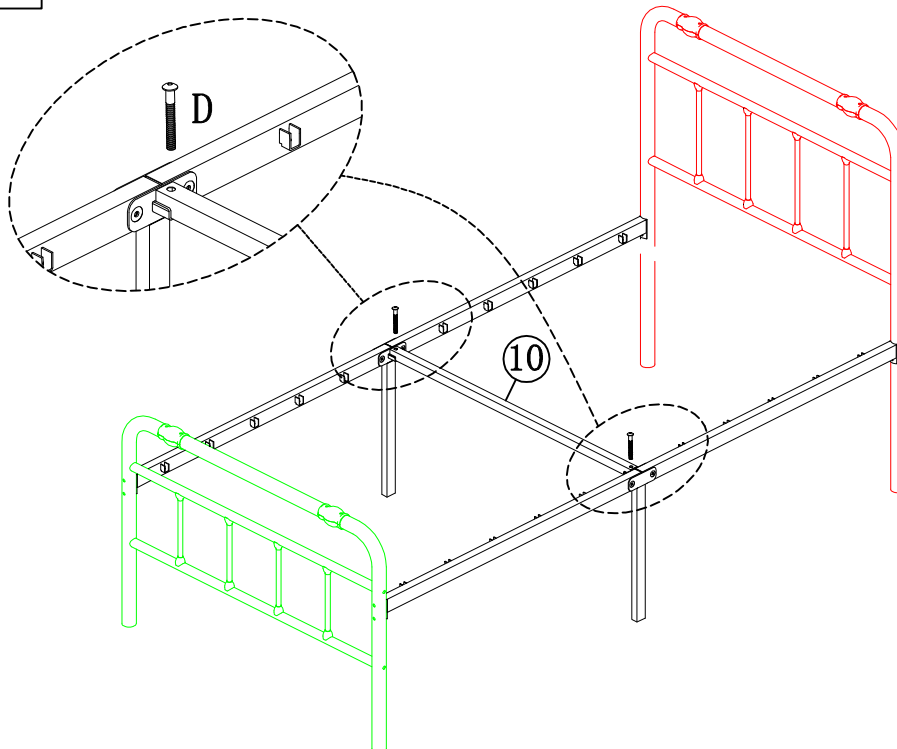
C*4
(M8*41)



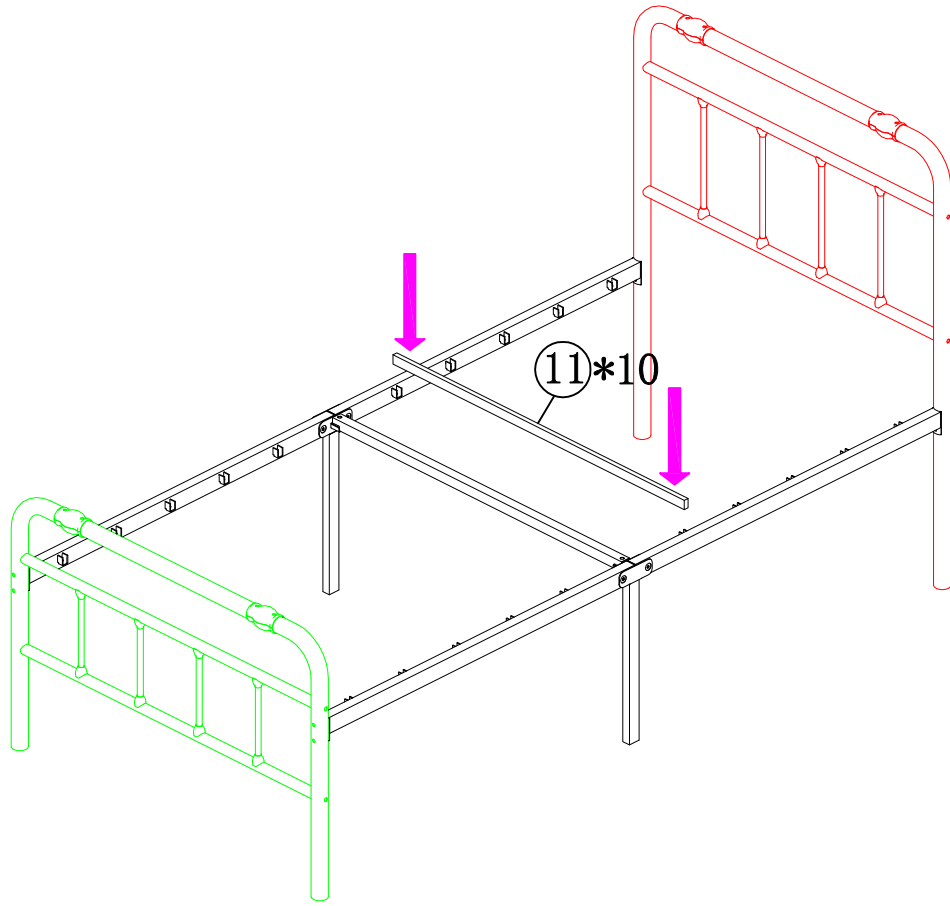
Step8



D*2
(M8*35)



Step9



Step10

