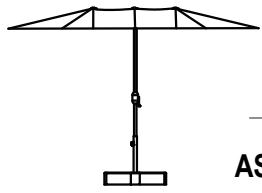


DOUBLE SIDED 14' PATIO UMBRELLA ASSEMBLY MANUAL





PARTS LIST



ASSEMBLY INSTRUCTIONS:

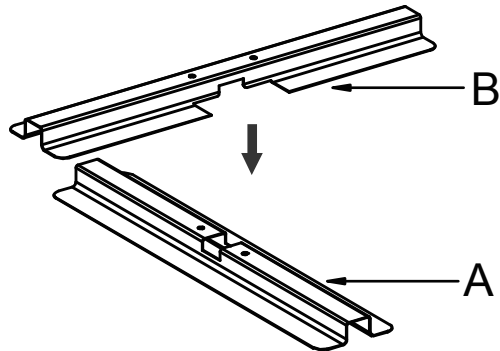
- * Before assembling, make sure that you lay out and identify all parts listed in the parts list.
- * All bolts should be hand tightened before use. Never use power tools or excessive force during assembly and tightening of bolts.
- * Please place the umbrella on a flat protected surface during assembly.

| | | | |
|---------|------------|--|------------|
| | A 1 | | G 4 |
| | B 1 | | H 4 |
| | C 1 | | J 2 |
| | D 4 | | K 1 |
| M8 X 20 | | | L 1 |
| | E 4 | | M 1 |
| | F 1 | | |




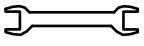
ASSEMBLY INSTRUCTIONS

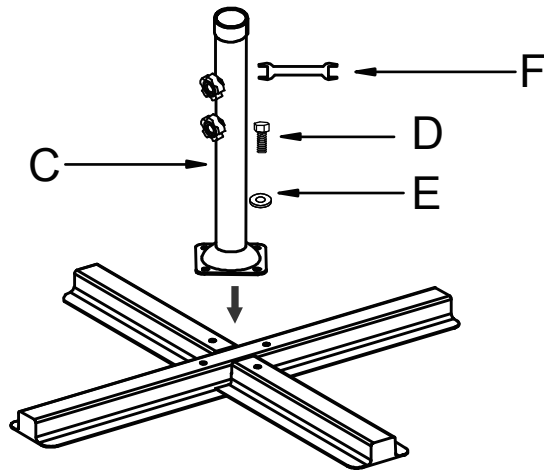
STEP 1:

| | |
|---|-------|
|  | A X 1 |
|  | B X 1 |



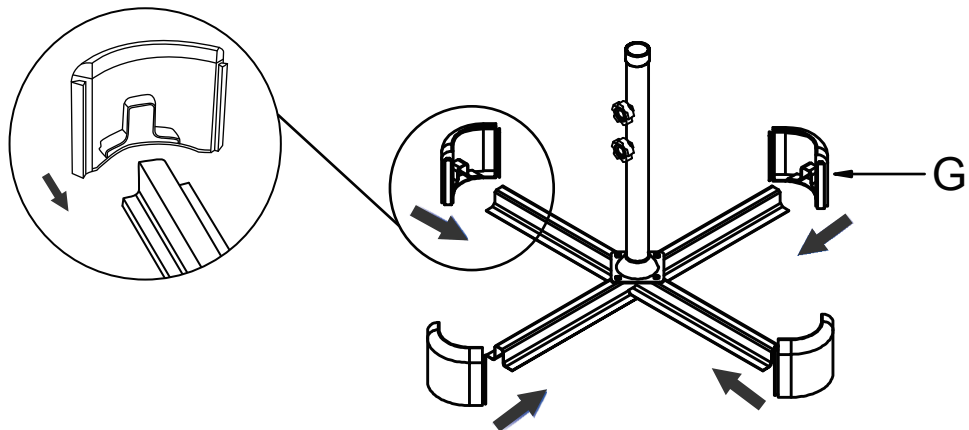
STEP 2:

| | |
|--|-------|
|  | C X 1 |
|  M8 X 20 | D X 4 |
|  | E X 4 |
|  | F X 1 |



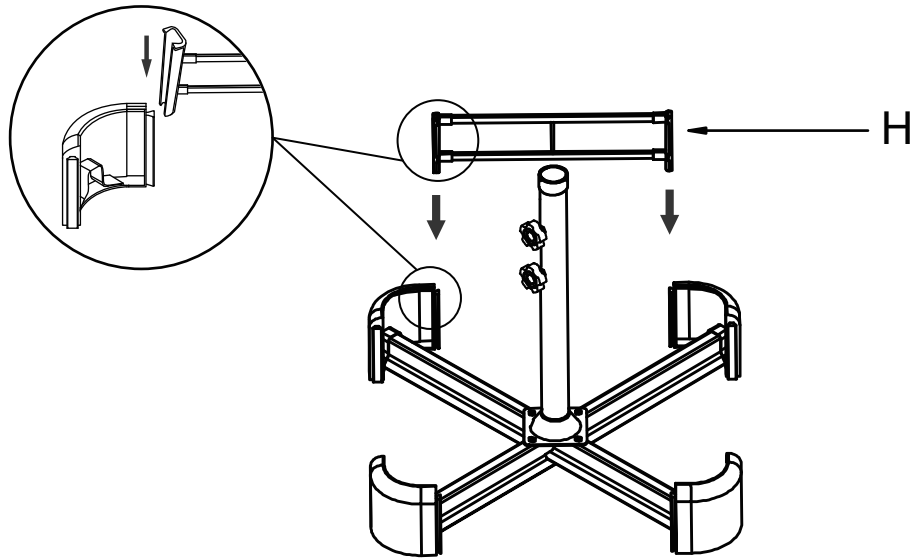
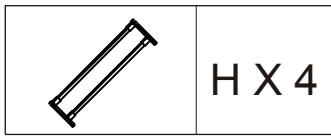
STEP 3:

| | |
|---|-------|
|  | G X 4 |
|---|-------|

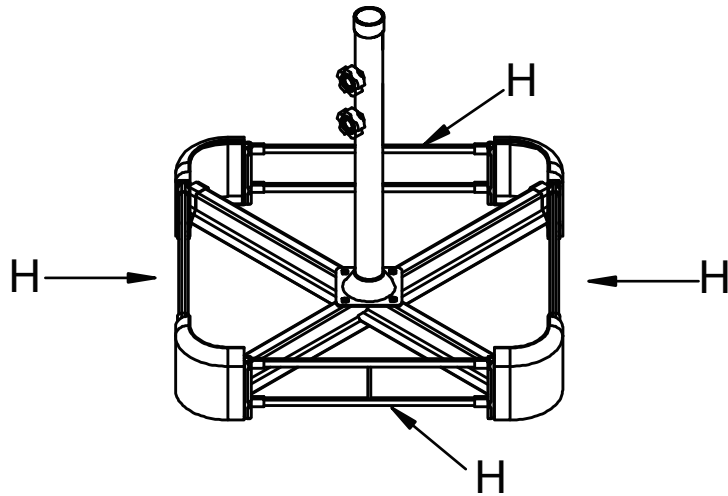


ASSEMBLY INSTRUCTIONS

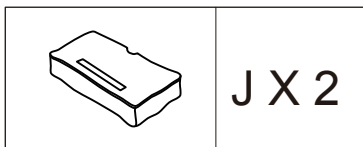
STEP 4:



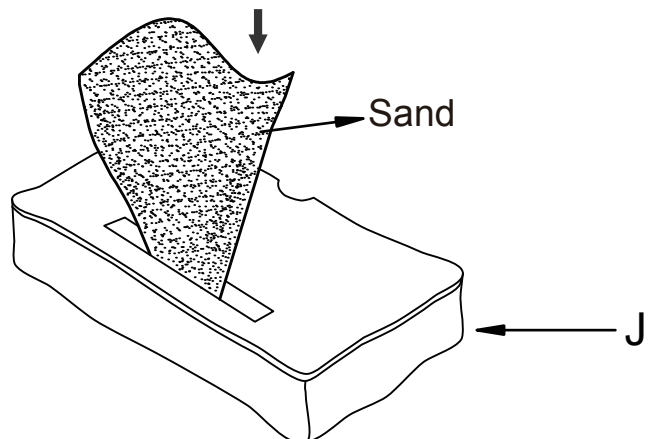
STEP 5:



STEP 6:

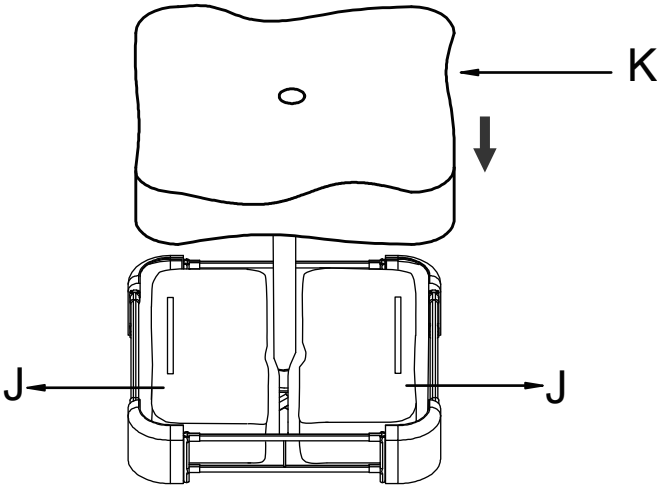
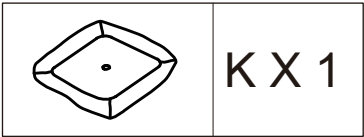


For proper stability of your offset umbrella. The recommended minimum weight of the sand to be placed into each sand bag is 67.5lbs for a total of 135lbs.

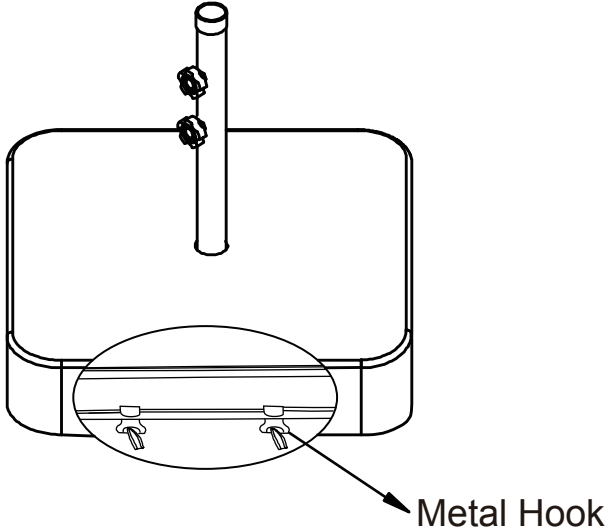


ASSEMBLY INSTRUCTIONS

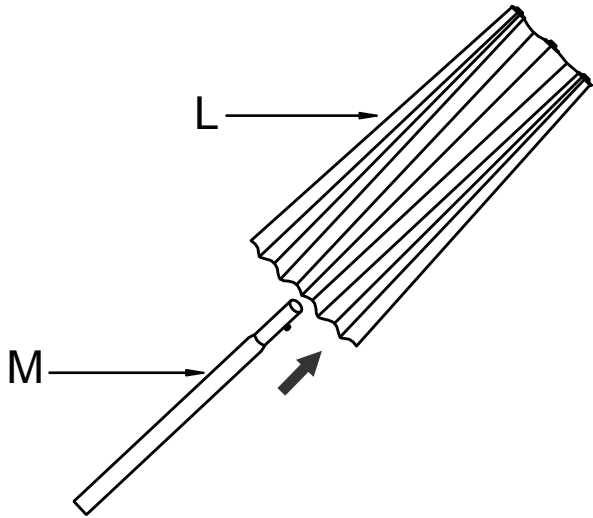
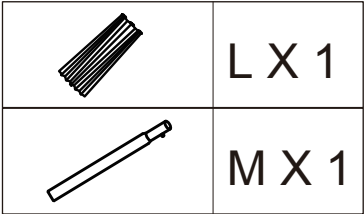
STEP 7:



STEP 8:

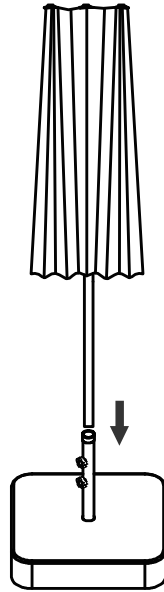


STEP 9:

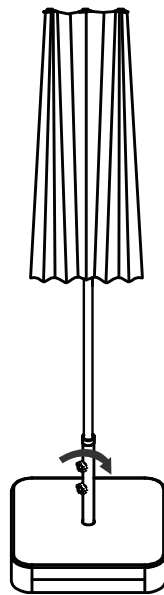


ASSEMBLY INSTRUCTIONS

STEP 10:



STEP 11:



STEP 12:

