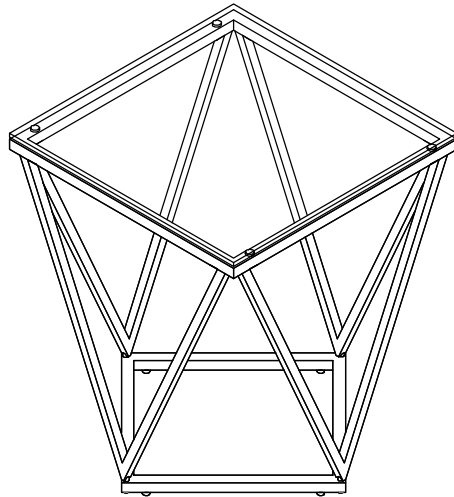


*ASSEMBLY INSTRUCTIONS*  
*COASTER FINE FURNITURE*



*Fine Furniture for every stage of life*

**709737**  
**END TABLE**

ITEM: 709737



# ASSEMBLY INSTRUCTIONS

## ASSEMBLY TIPS:

1. Remove hardware from box and sort by size.
2. Please check to see that all hardware and parts are present prior to start of assembly.
3. Please follow attached instructions in the same sequence as numbered to assure fast & easy assembly.

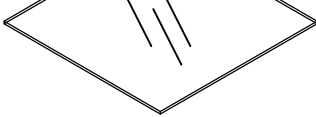
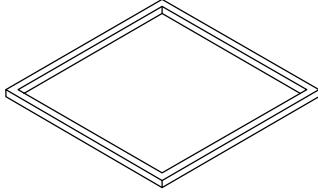
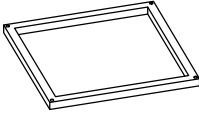



## WARNING!

1. Don't attempt to repair or modify parts that are broken or defective. Please contact the store immediately.
2. This product is for home use only and not intended for commercial establishments.

ASSEMBLY TIME 25 MINUTES

## PARTS IDENTIFICATION

|   |              |   |      |
|---|--------------|---|------|
| A | GLASS        |     | 1PC  |
| B | TOP FRAME    |    | 1PC  |
| C | BOTTOM FRAME |   | 1PC  |
| D | SIDE FRAME   |  | 4PCS |

Z

## HARDWARE IDENTIFICATION

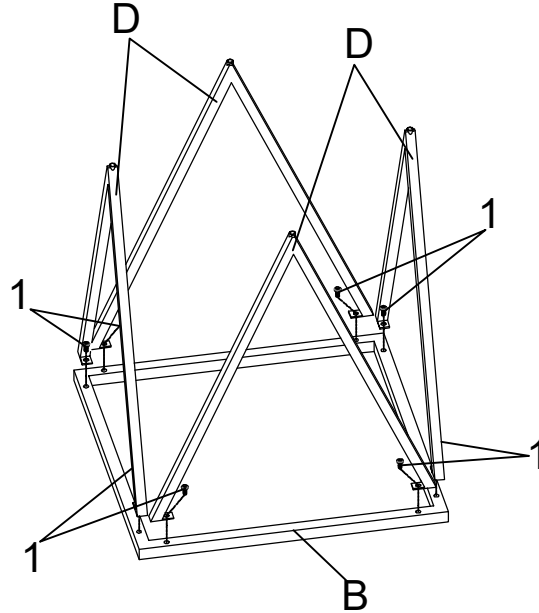
|   |                                |   |      |   |                              |   |      |
|---|--------------------------------|---|------|---|------------------------------|---|------|
| 1 | SHORT BOLT<br>(1/4" x 12mm SR) |  | 8PCS | 4 | LEVELER<br>(1/4" x 12mm BLK) |  | 4PCS |
| 2 | LONG BOLT<br>(1/4" x 28mm SR)  |  | 4PCS | 5 | ALLEN WRENCH<br>(4mm)        |  | 1PC  |
| 3 | SUCTION CUP                    |  | 4PCS |   |                              |   |      |

ITEM:709737

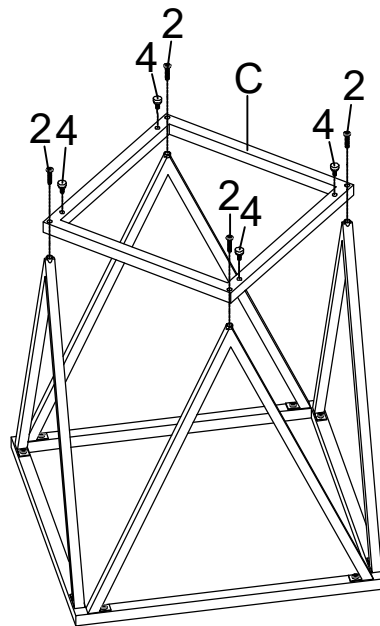


# ASSEMBLY INSTRUCTIONS

**STEP 1** Do not tighten until each step is completed or instructed.



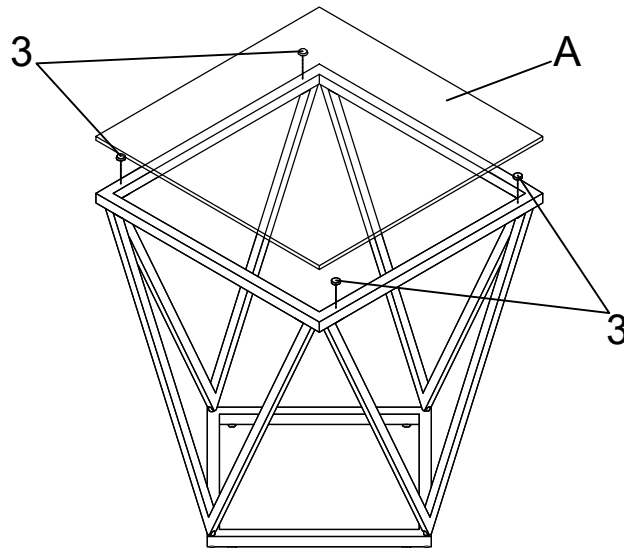
## STEP 2



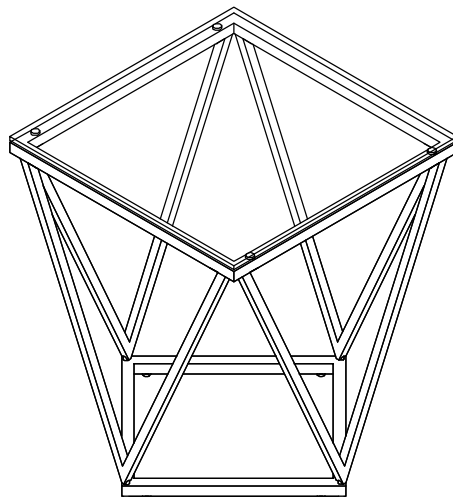
ITEM: 709737

# ASSEMBLY INSTRUCTIONS

## STEP 3



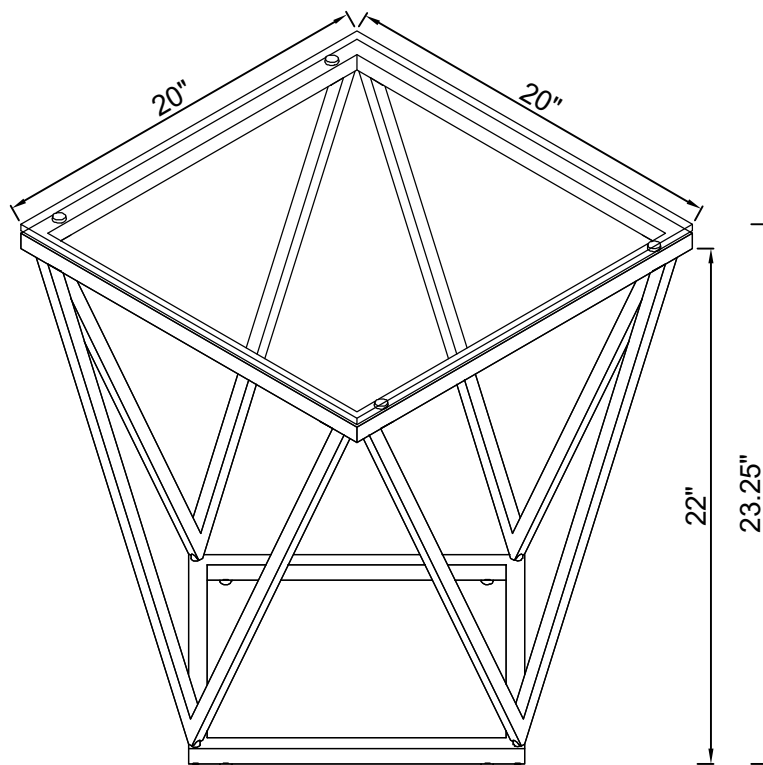
## STEP 4 COMPLETE



# ITEM:709737 ASSEMBLY INSTRUCTIONS



|  |
|--|
| <b>Product Size : 508 X 508 X 590 H (MM)</b> |
| <b>Product Size : 20" X 20" X 23.25"</b>     |



Note : Dimension tolerance  $\pm 5\%$