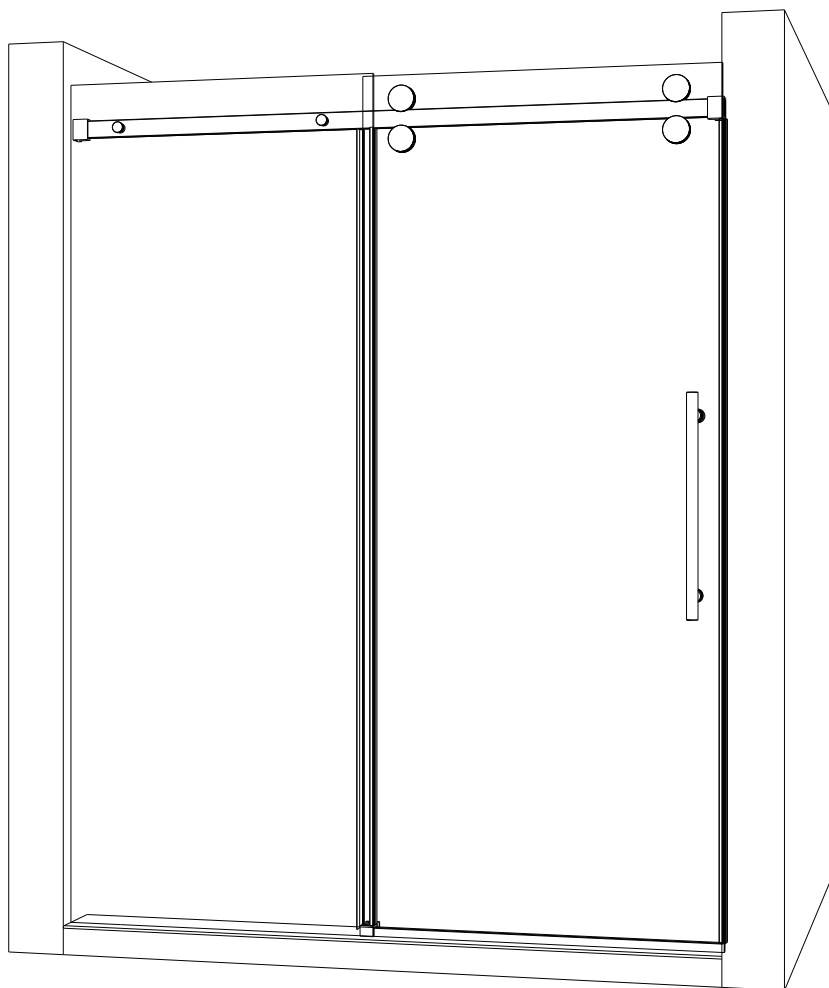
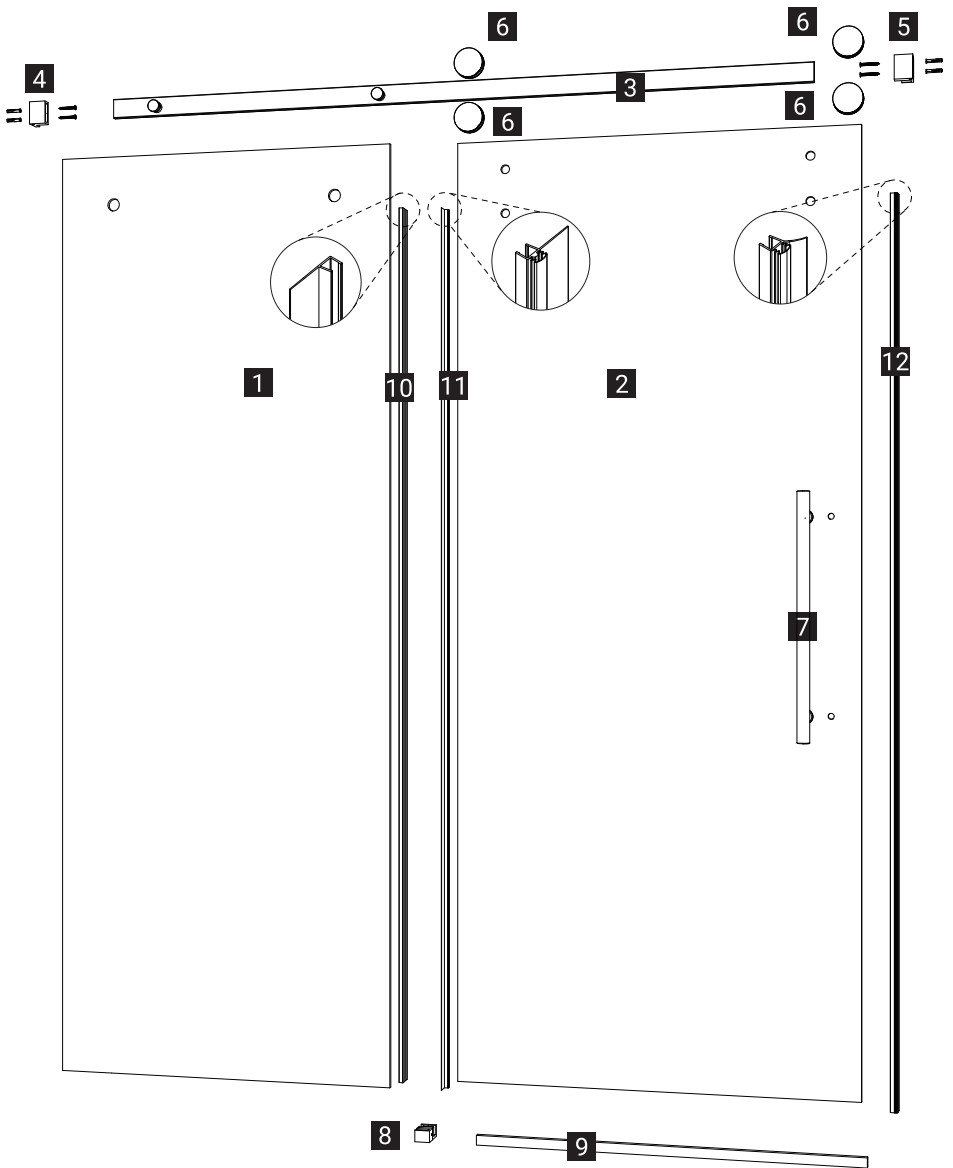


SD05-4 Sliding Shower Door Installation Instructions



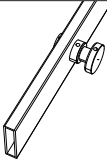
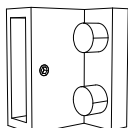
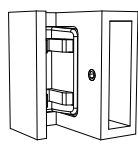



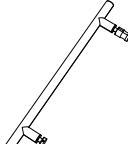
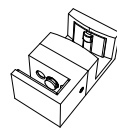
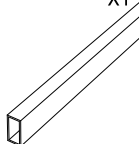
Detail Diagram




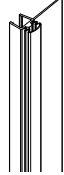
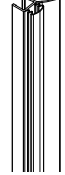
Part List

Check all parts according to the list before assembly
 Feel free to contact us if you need assistance



1 X1  Fixed Panel	2 X1  Active Panel	3 X1  Top Rail	4 X1  Stopper	5 X1  Wall Mount Fitting
---	--	--	---	--

6 X4  Roller	7 X1  Handle	8 X1  Bottom Guide	9 X1  Threshold
---	--	--	---

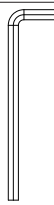




Rubber Tape (3 pcs)

 10 X1	 11 X1	 12 X1
---	---	---

Screws and Expansion Anchors (8 pcs)


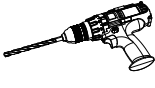
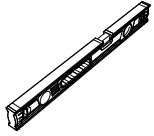




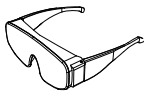
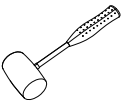

 ST5x40 Phillips Countersunk Self-Tapping Screw (4 pcs)	 Ø8x38 Gray Expansion Anchor (4pcs)
---	---

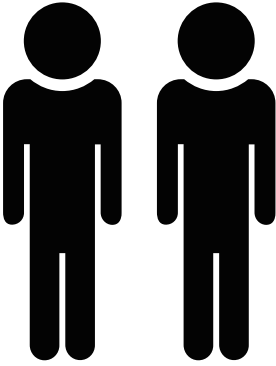
Allen Wrenches(5 pcs)

 5mm	 4mm	 3mm	 2.5mm	 2.0mm
--	--	--	--	--

Recommended Tools

*Utilize Safety Glasses and Safety Gloves when installing this shower door

	 Ø8 & Ø5			
Silicone	Drill	Level	Screw Driver	Pencil
				
Safety Gloves	Tape Measure	Safety Glasses	Rubber Mallet	Hand Saw



General Information



Please inspect the product immediately upon receipt for transit damage, missing packs/parts or manufacturing fault. Damage reported later cannot be accepted. Please handle the product with care avoiding knocks and shock loading to all sides and edges of the glass.

Notes: Safety glass can not be re-worked

After use, your shower should be cleaned with soap and water. This is particularly important in hard water districts where insoluble lime salts may be deposited and allowed to build up. Cleaners of a gritty or abrasive nature should not be used. Care should be taken to avoid contact with strong chemicals such as organic solvents and strippers.

Glass cleaners can be used but with caution, if in doubt contact the manufacturer of the cleaner in question.

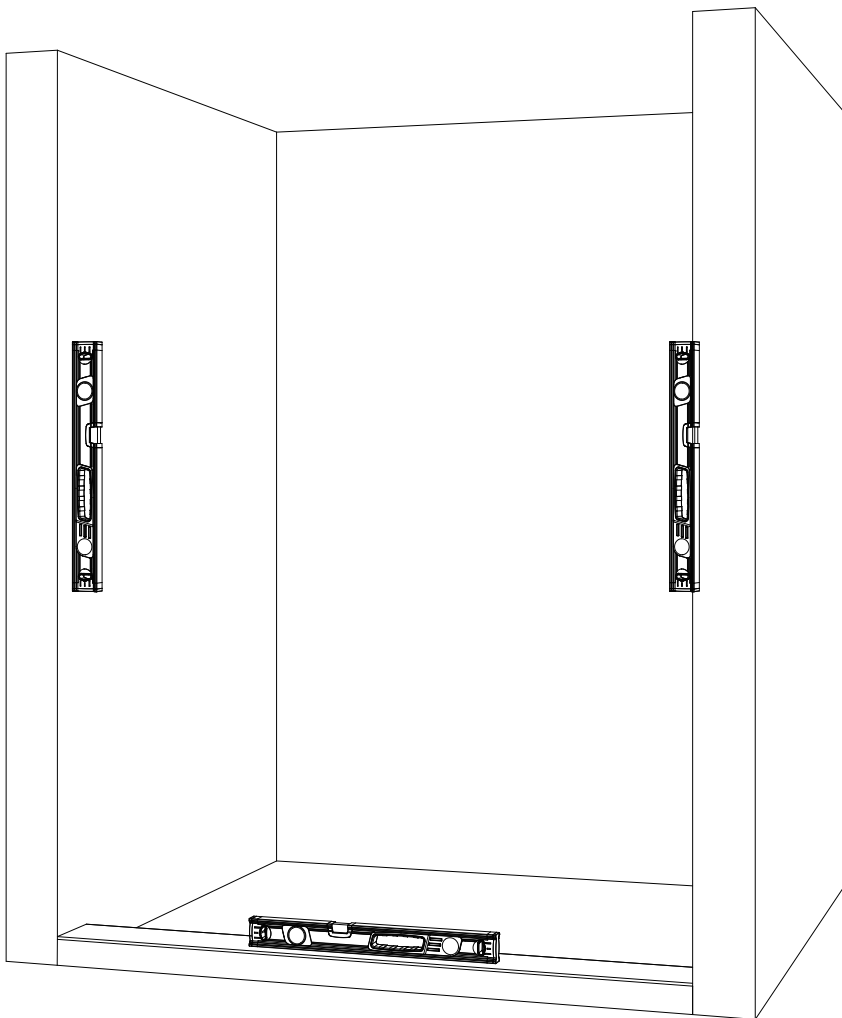
Please keep these instructions for aftercare and customer service details.

01

Before Installation:

Use a spirit level to measure both side walls to check for any inclination. Then, verify whether the base is level. If necessary, make appropriate adjustments before proceeding with the installation.

Ensure that the wall surface is flat and sturdy enough to support the weight of the entire unit. The deviation on both sides of the wall should not exceed 1/4 inch. Use a spirit level to check whether the wall's verticality is within the 1/4-inch tolerance. Irregular wall surfaces or excessive deviation can significantly impact the installation process.

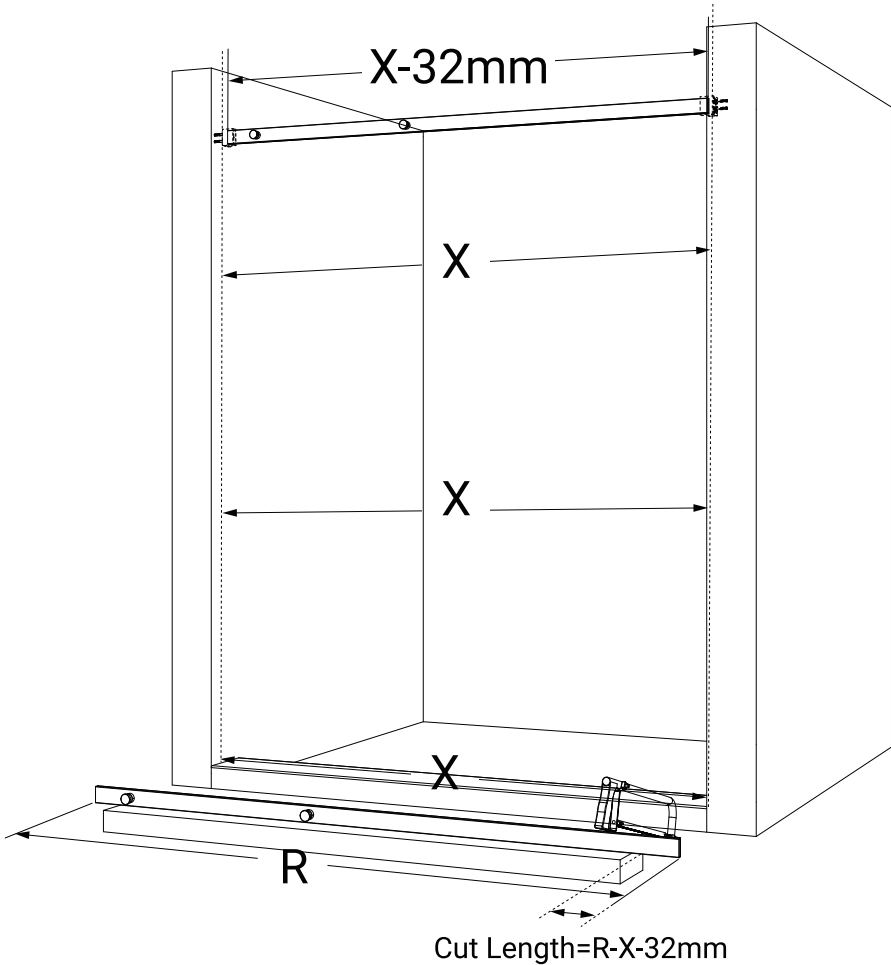


- 02 Measure the door opening dimension "X" to confirm that the purchased product fits the installation space properly. As illustrated, ensure the crossbar is cut in the correct direction for precise fitting.



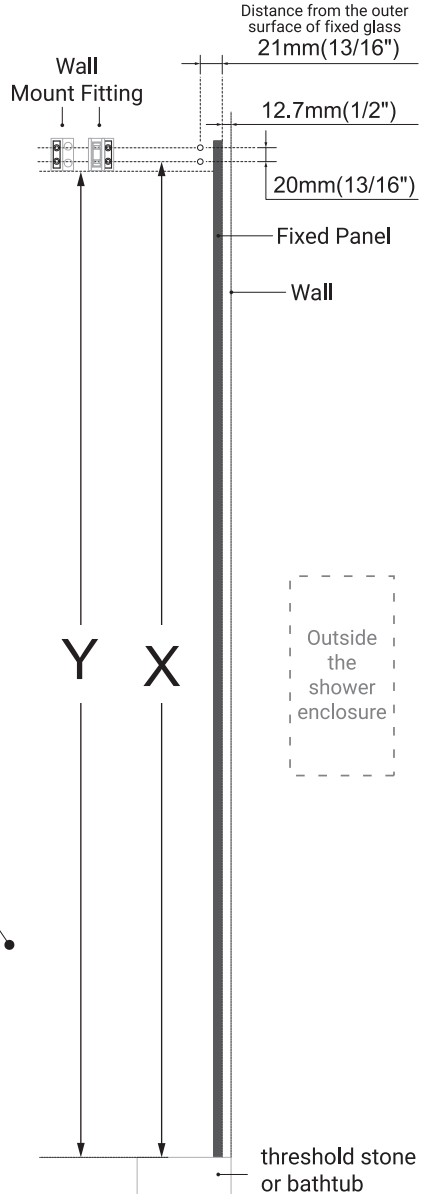
Measure X to make sure it is within the adjustment range!
(R-X-32mm=Cut Length)

Size	X
48" (1219mm)	44"-48" (1118mm-1219mm)
54" (1372mm)	50"-54" (1270mm-1372mm)
60" (1524mm)	56"-60" (1422mm-1524mm)
66" (1676mm)	62"-66" (1575mm-1676mm)
72" (1829mm)	68"-72" (1727mm-1829mm)

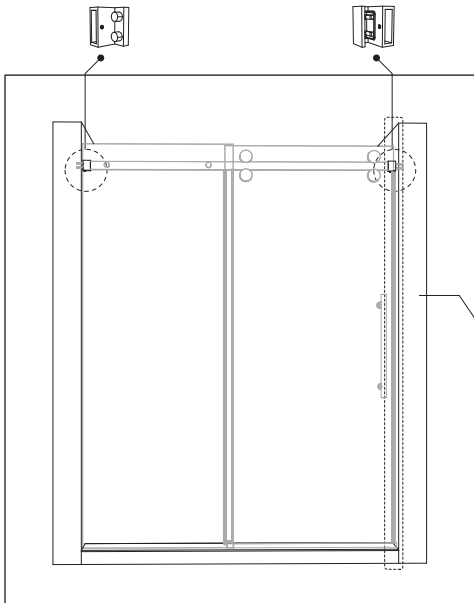


03 Note: The wall mount fittings on both sides of this product have consistent hole positions. The drilling data is shown in the figure below. Before marking the drilling positions, ensure that the distance between the outer edge of the fixed glass and the outer side of the bathtub or shower enclosure is greater than or equal to 1/2". The hole positions on both sides of the wall mount fittings are equidistant from the outer edge of the fixed glass, both at 21mm (13/16"). It is recommended to use a level and wall mount fittings to mark the hole positions, ensuring that the corresponding hole positions on both sides of the wall mount fittings are on the same horizontal line. The distance from the bottom of the wall mount fitting to the ground is the shower door height minus 112mm (4 7/16"). Specific data can be calculated based on the table.

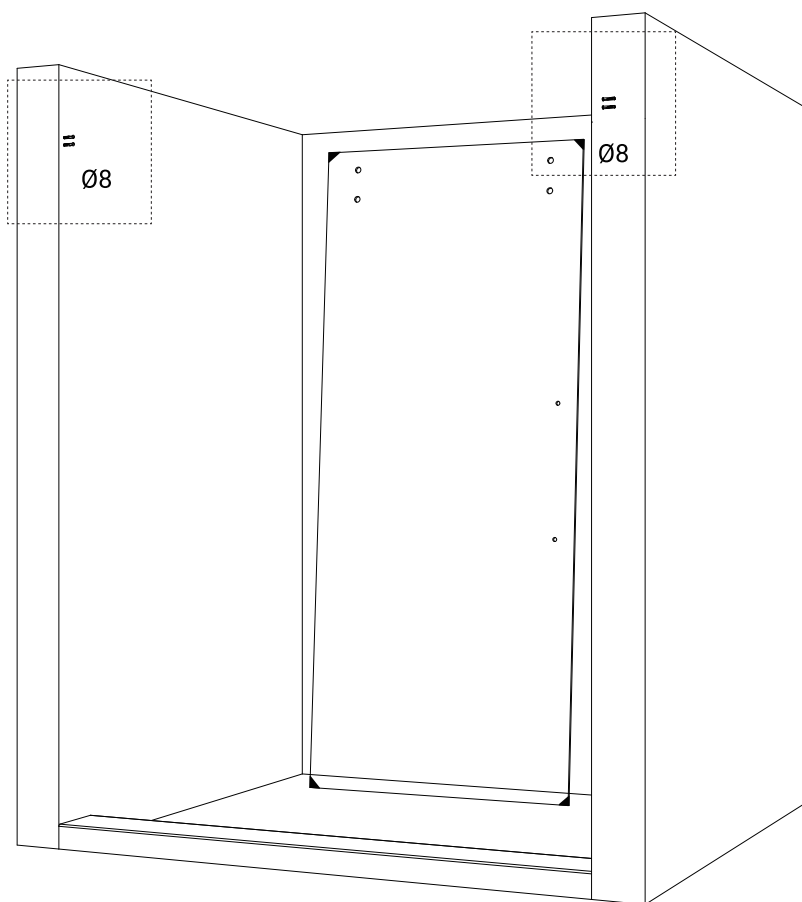
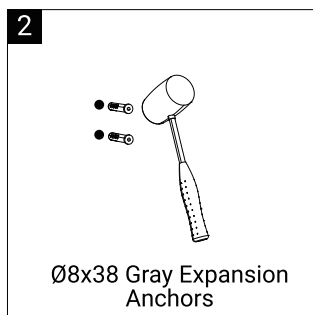
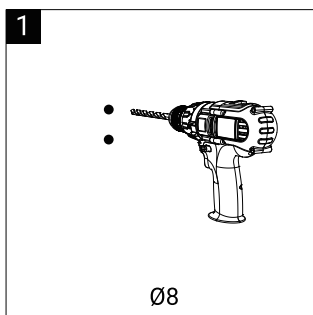
H	X	Y
60" (1524mm)	55 9/16" (1412mm)	55 1/16" (1398mm)
66" (1676mm)	61 9/16" (1564mm)	61" (1550mm)
72" (1828mm)	67 5/8" (1717mm)	67 3/4" (1703mm)
76" (1930mm)	71 9/16" (1818mm)	71" (1804mm)
80" (2032mm)	75 9/16" (1920mm)	75 1/16" (1906mm)



The drilling positions for both wall mount fitting are the same.

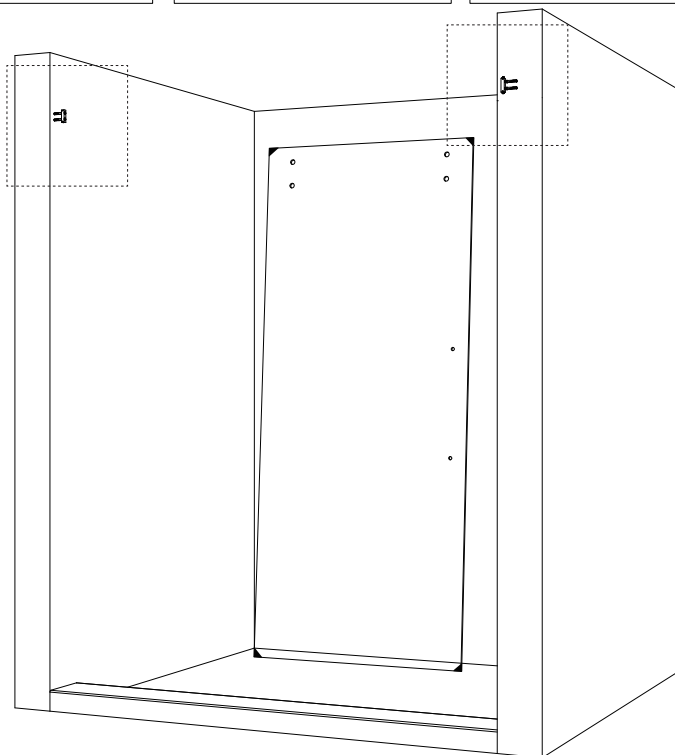
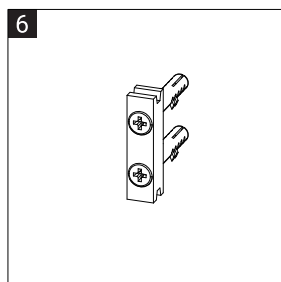
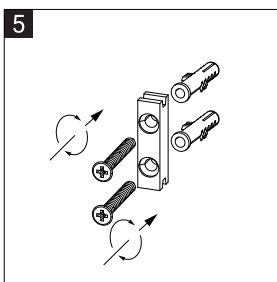
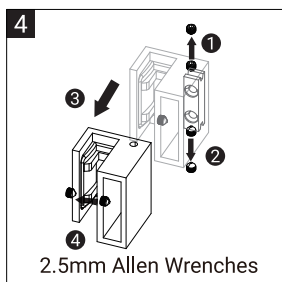
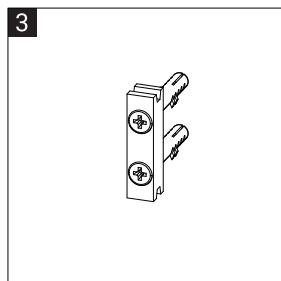
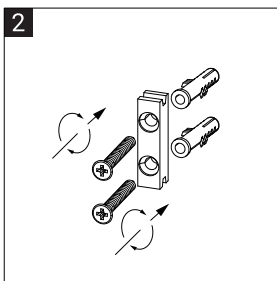
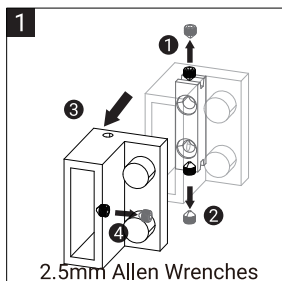


- 04 As shown in the diagram, drill holes according to the marked positions and install expansion bolts.

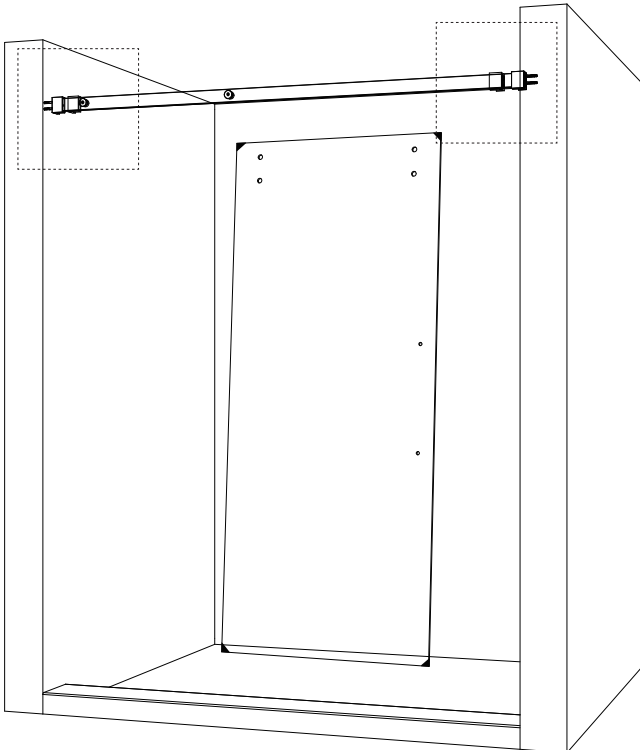
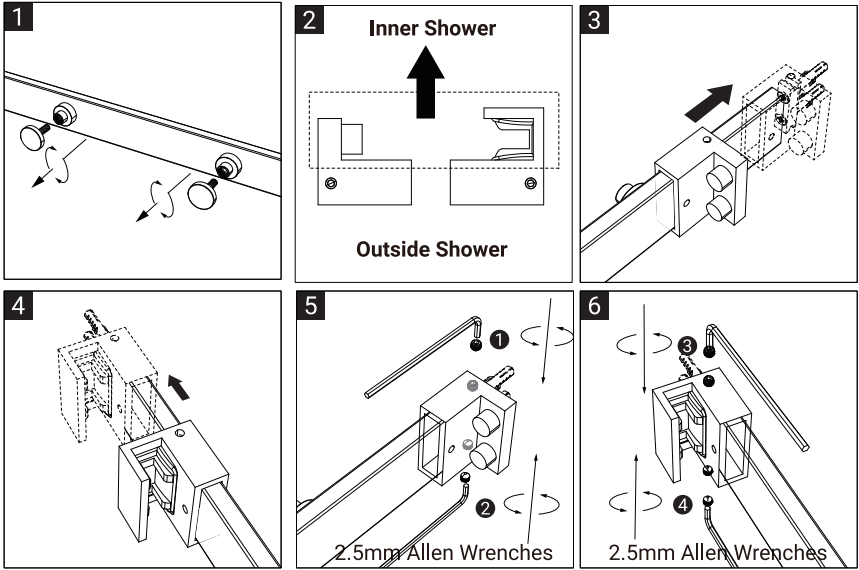


- 05 As shown in the diagram, first remove the screws from the top and bottom of the stopper and wall mount fitting. Then use screws to secure the remaining components to the wall. It is important to note that the stopper should be installed on the fixed glass side, while the wall mount fitting should be installed on the active glass side.

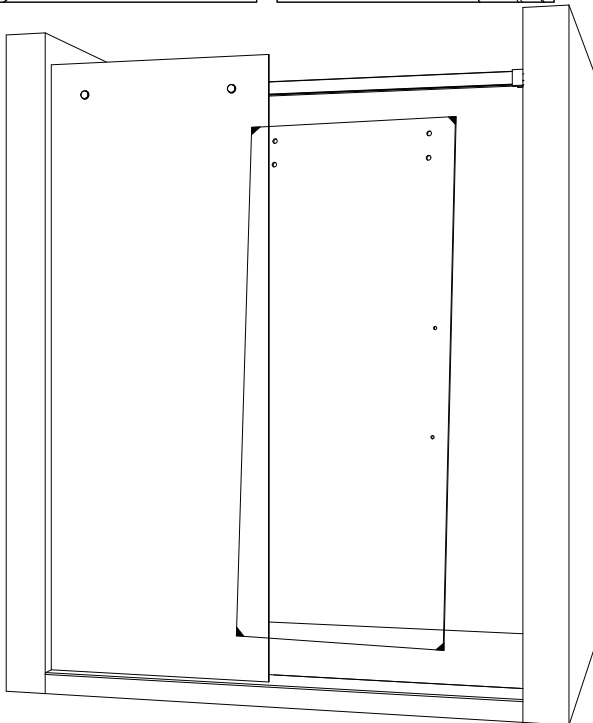
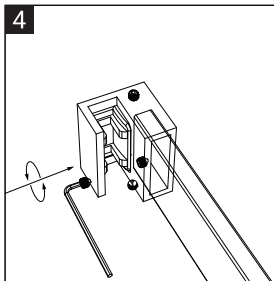
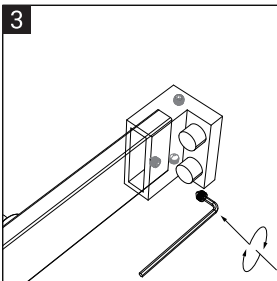
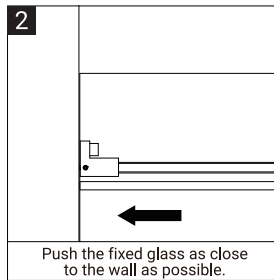
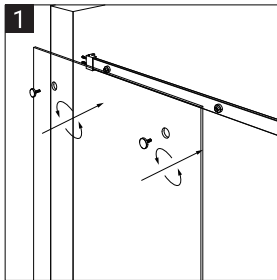
Please safely store the screws removed from the sides for later steps.



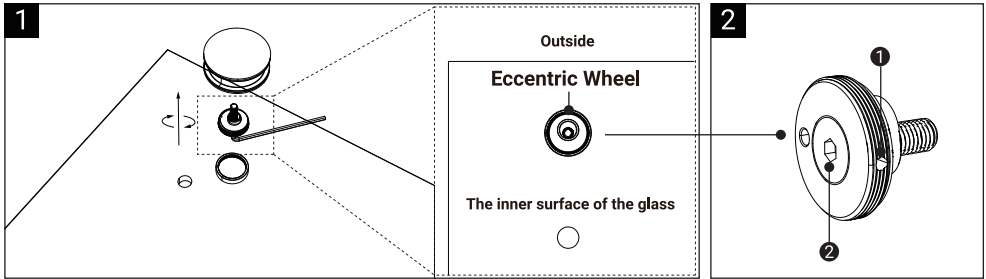
- 06 First, remove the decorative covers from the pipe clamps on the guide rail. Then, insert the stopper and wall mount fitting on both sides into the guide rail in the correct orientation. Finally, retighten the top and bottom screws of the the stopper and wall mount fitting on both sides.



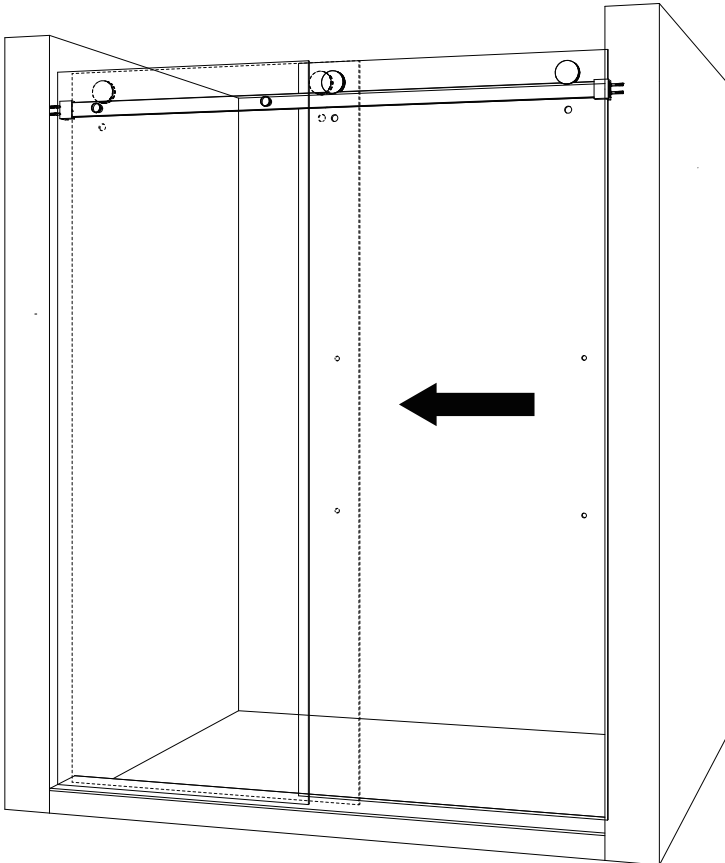
- 07 After securing the fixed glass into the corresponding position of the pipe clamp, tighten the decorative cover. It is important to note that once the decorative cover is tightened, the fixed glass should be gently pushed against the wall. Finally, tighten the screws on both sides of the stopper and wall mount fitting to ensure the top rail remains secure.



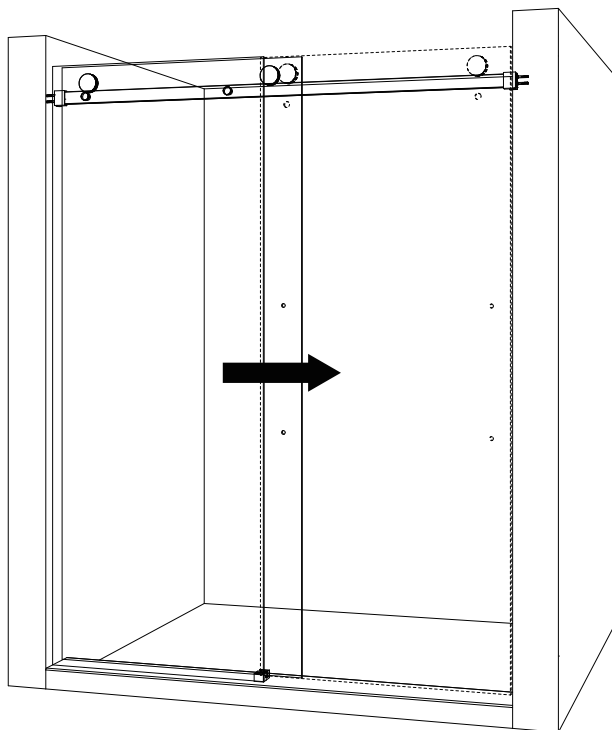
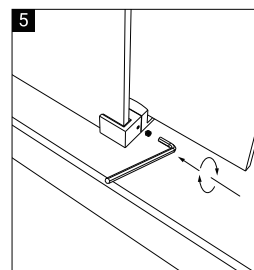
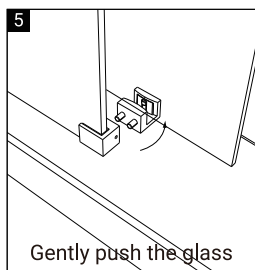
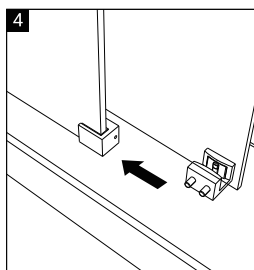
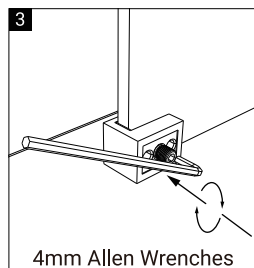
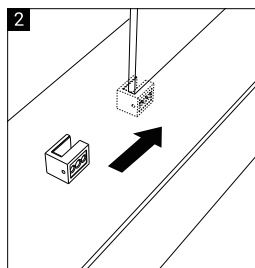
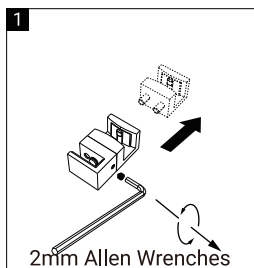
08 As shown in the diagram, install the two rollers above the movable glass.



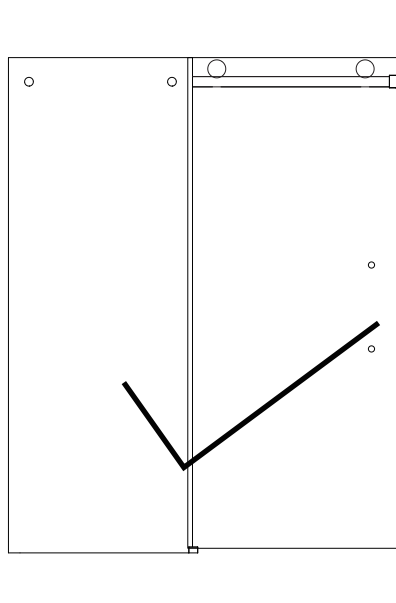
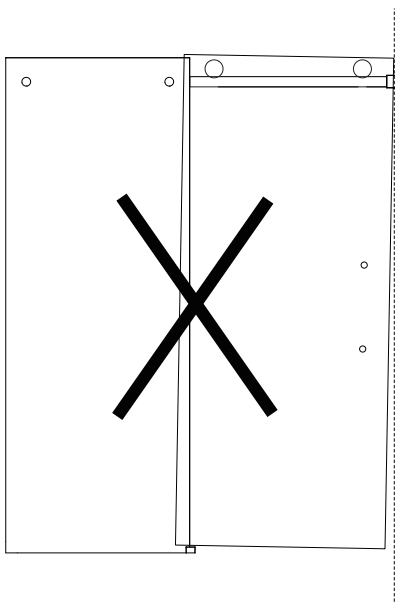
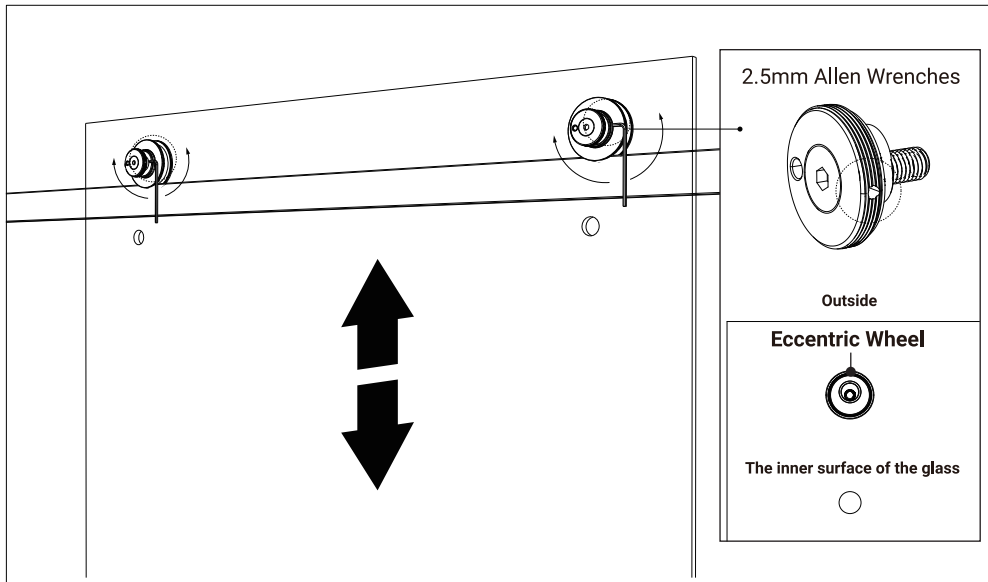
- ① 2.5mm Allen Wrenches, Adjusting this hole position can be used to regulate the glass tilt.
- ② 5mm Allen Wrenches, Adjusting this hole position can be used for the installation and removal of the pulley.



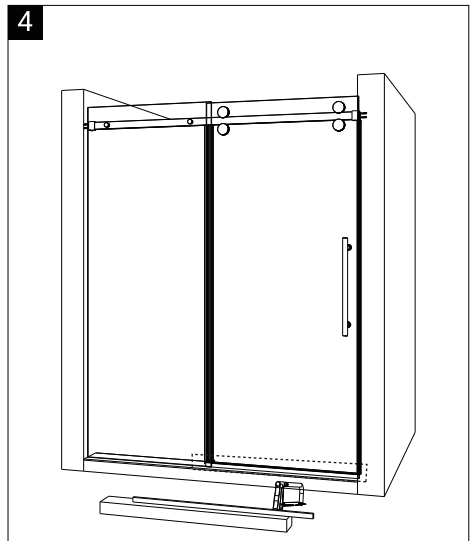
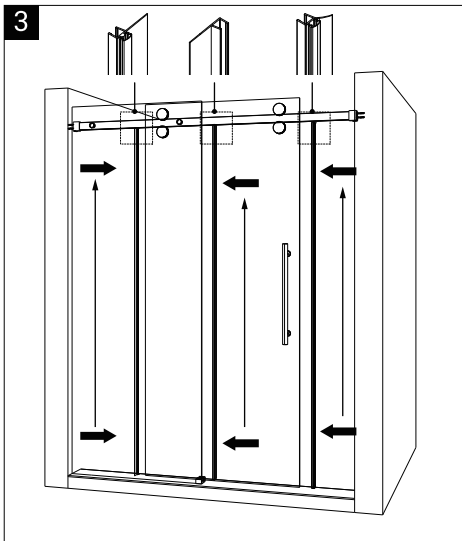
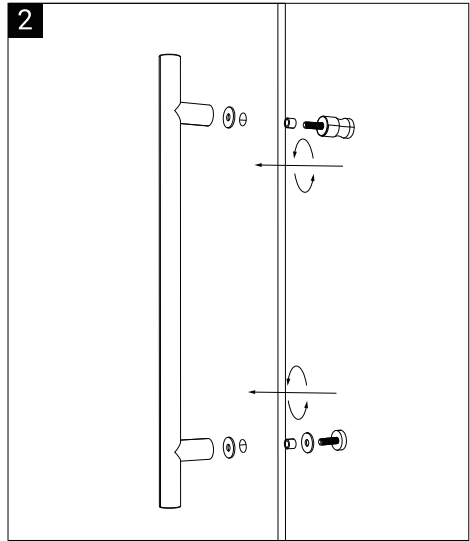
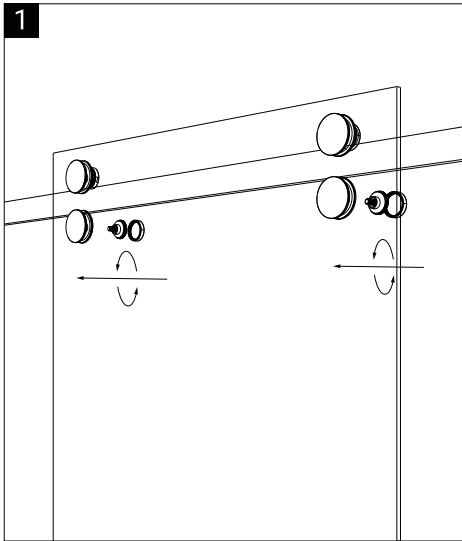
- 09 Before installing the bottom guide, push the active glass to one side (exercise caution during this process to avoid tipping the glass). Then install the sliding block as shown in the diagram, **noting that in step 5, care must be taken to avoid pushing over the movable glass.**



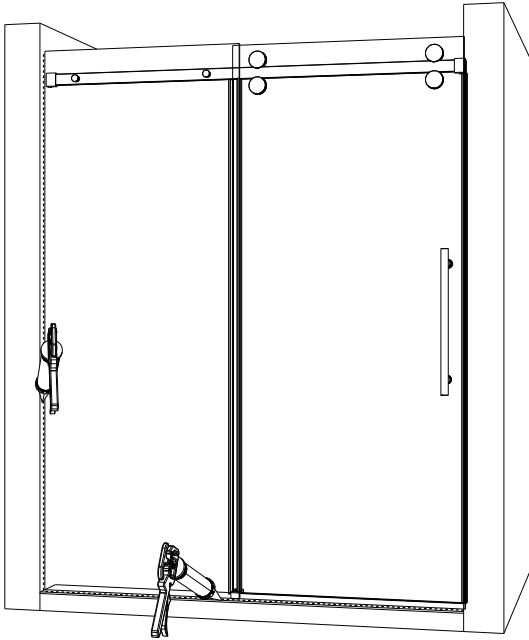
- 10 As shown in the diagram, after installing the bottom guide, check whether the active glass is level. If tilting occurs, adjust the eccentric wheel to level the active glass before proceeding to the next step.



- 11 As shown in the diagram, install the two rollers at the bottom of the active glass, then attach the handle and the rubber tape. **Before installing the threshold, measure the required length and cut it if necessary. If necessary, flip the water barrier and apply sealant to the bottom.**



- 12 After installation is complete, remove any debris and use a soft cloth to wipe away water stains and clean any remaining dirt. Then, apply silicone sealant along the dashed line as indicated in the diagram.



- 13 After applying the silicone sealant, allow it to dry for 24 hours before using the shower door.

