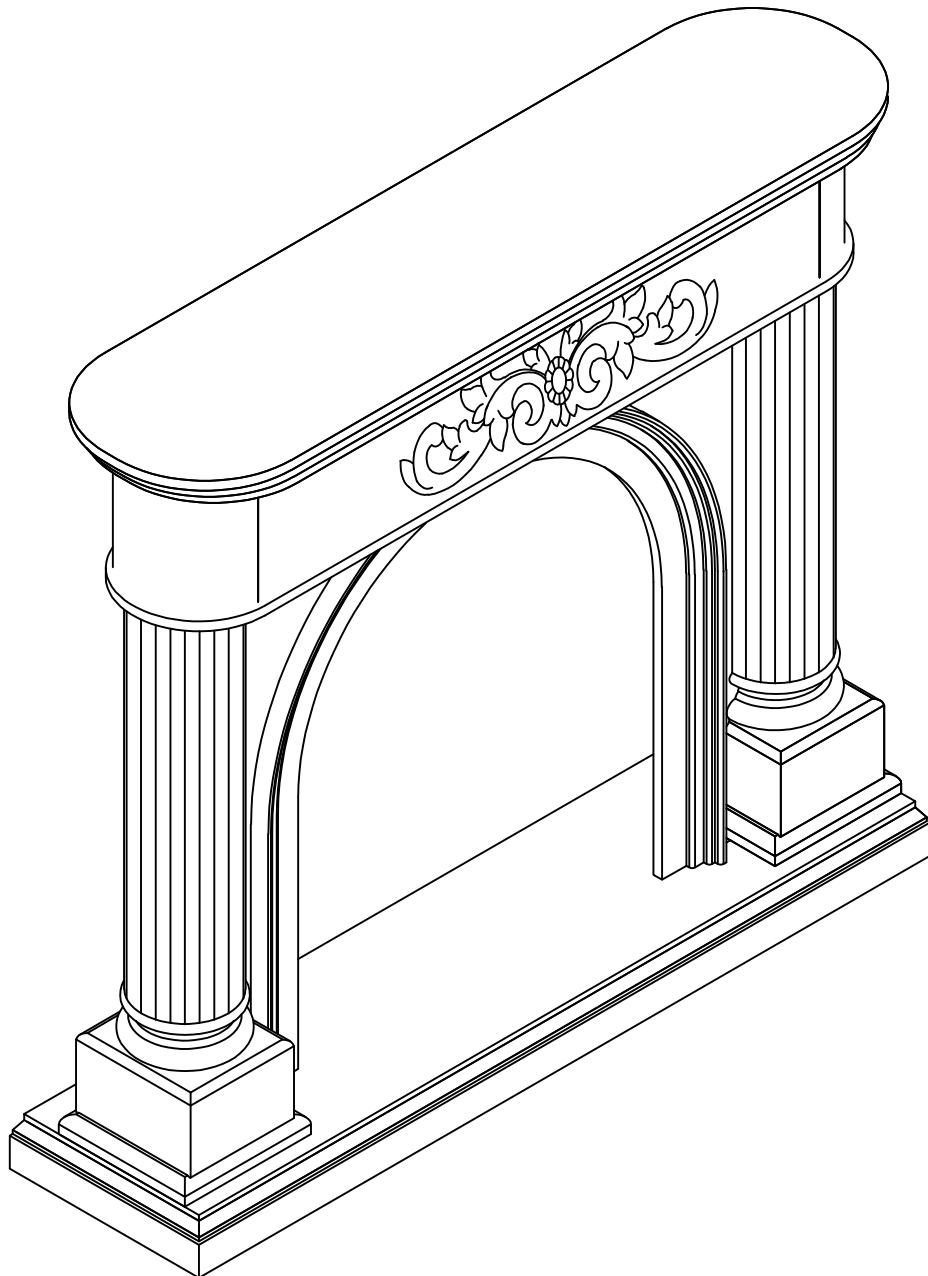


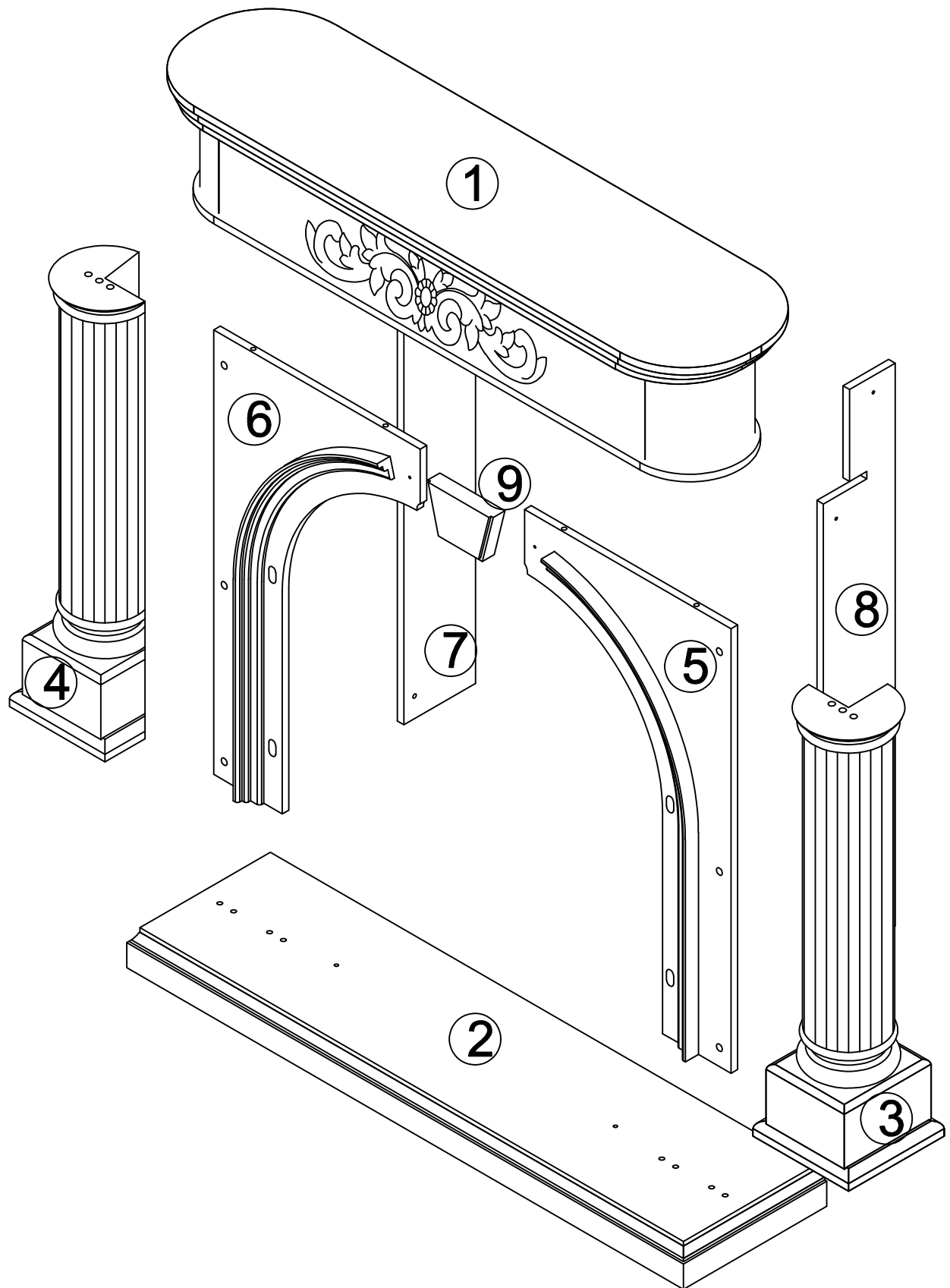
# ASSEMBLY INSTRUCTIONS

This product comes in two packages.  
We recommend waiting until you've received  
both before starting the installation.

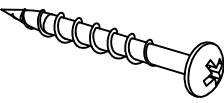
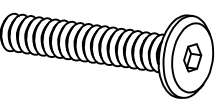
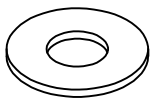
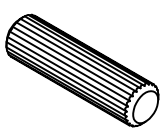

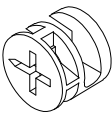

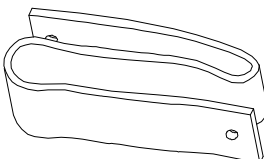

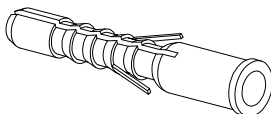
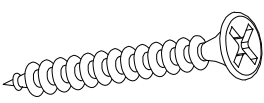


Email: [ServiceSupportAMZ@126.com](mailto:ServiceSupportAMZ@126.com)

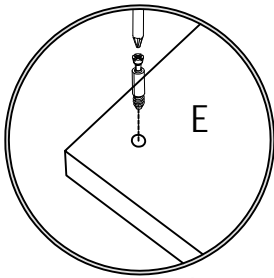
# PACKAGE INCLUDE



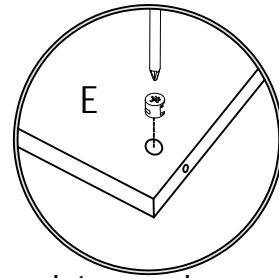
# PACKAGE CONTENT

 <b>(A) 16 PCS</b>	 <b>(B) 8 PCS</b>	 <b>(C) 8 PCS</b>	 <b>(D) 6 PCS</b>
 <b>(E) 6 PCS</b>	 <b>(F) 6 PCS</b>	 <b>(G) 1 PCS</b>	 <b>(H) 2 PCS</b>
 <b>(I) 2 PCS</b>	 <b>(J) 2 PCS</b>	 <b>(K) 2 PCS</b>	

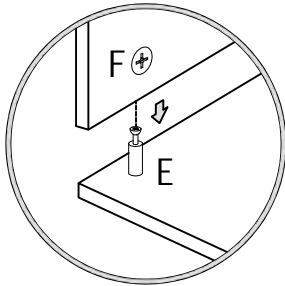
# How to use the cam lock system



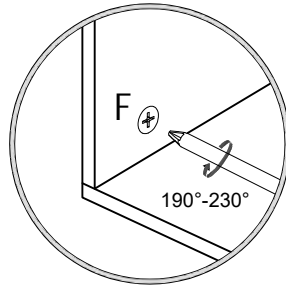
1. Screw cam bolt into panel



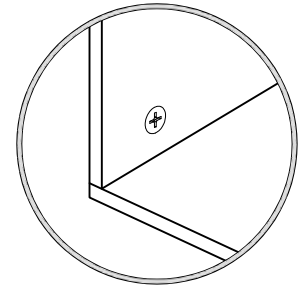
2. Push cam into panel - arrow feature on cam top points to panel edge



3. Align cam bolt(s) with cam(s) and insert all the way into cross-board hole(s)

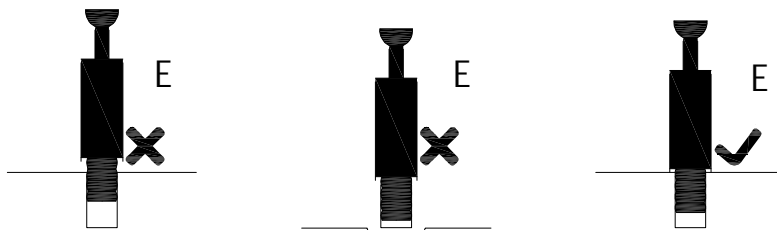
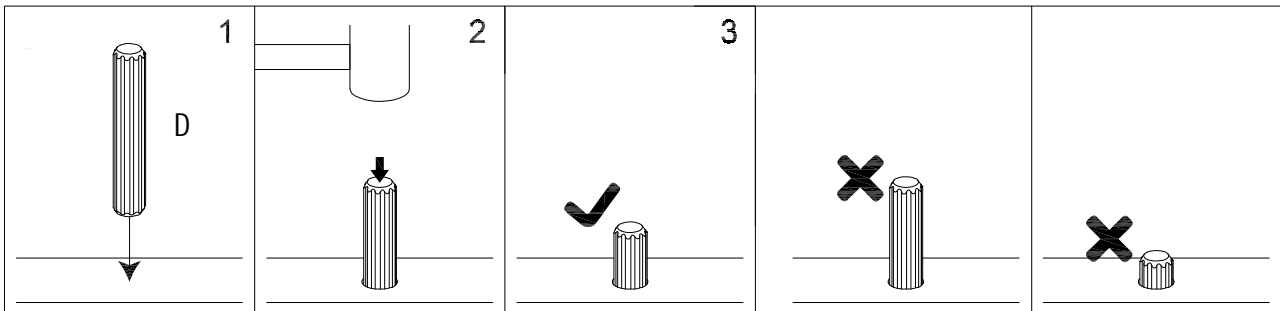


4. Rotate cam(s) clockwise 190°-230° to lock panels together



5. Panels should be tighten against each other and connection should be rigid

Insert the wood dowel [D] at least half way by tapping lightly with a rubber mallet, IF NECESSARY.

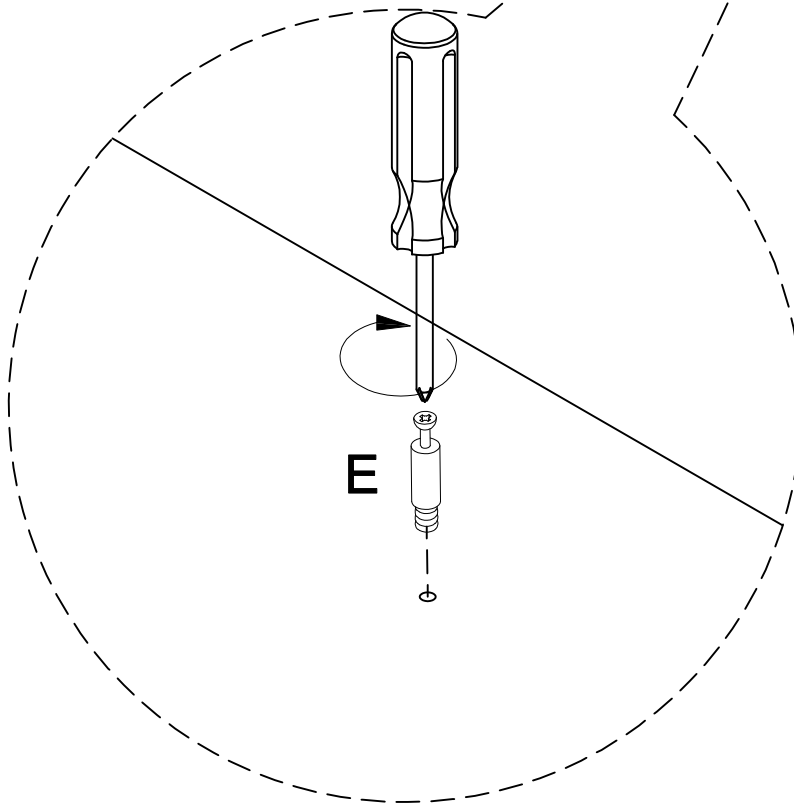
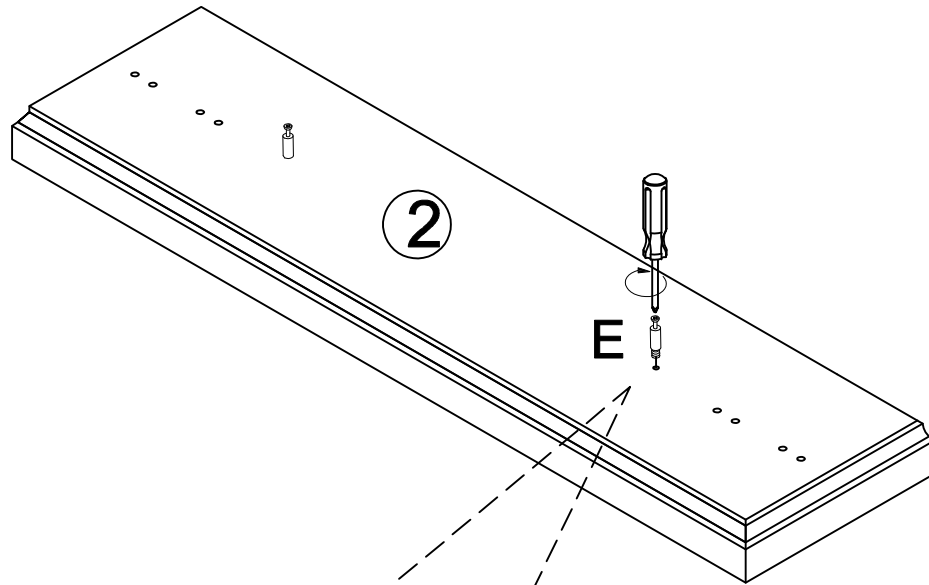
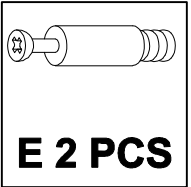


## ⚠ WARNING

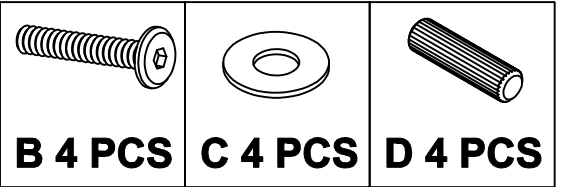
- Unit must be placed on a level surface or leveled with included hardware (when applicable).
- Do not sit or stand on or allow children to climb, sit or stand on the assembled product.
- For safety reasons, it is imperative that this unit be mounted to the wall.
- Do not use without installing the tip restraint.
- Unit can tip over causing severe injury or death.
- Do not exceed the recommended weight limits.
- Evenly distribute the weight on each level and always keep the heavier loads on the bottom.
- Before cutting, drilling or hammering into any wall or floor surface, verify the location of electrical, plumbing and gas lines. Cutting may cause serious injury.

# STEP 1

-Screw (E)x2 to the bottom panel ② as below shown



# STEP 2

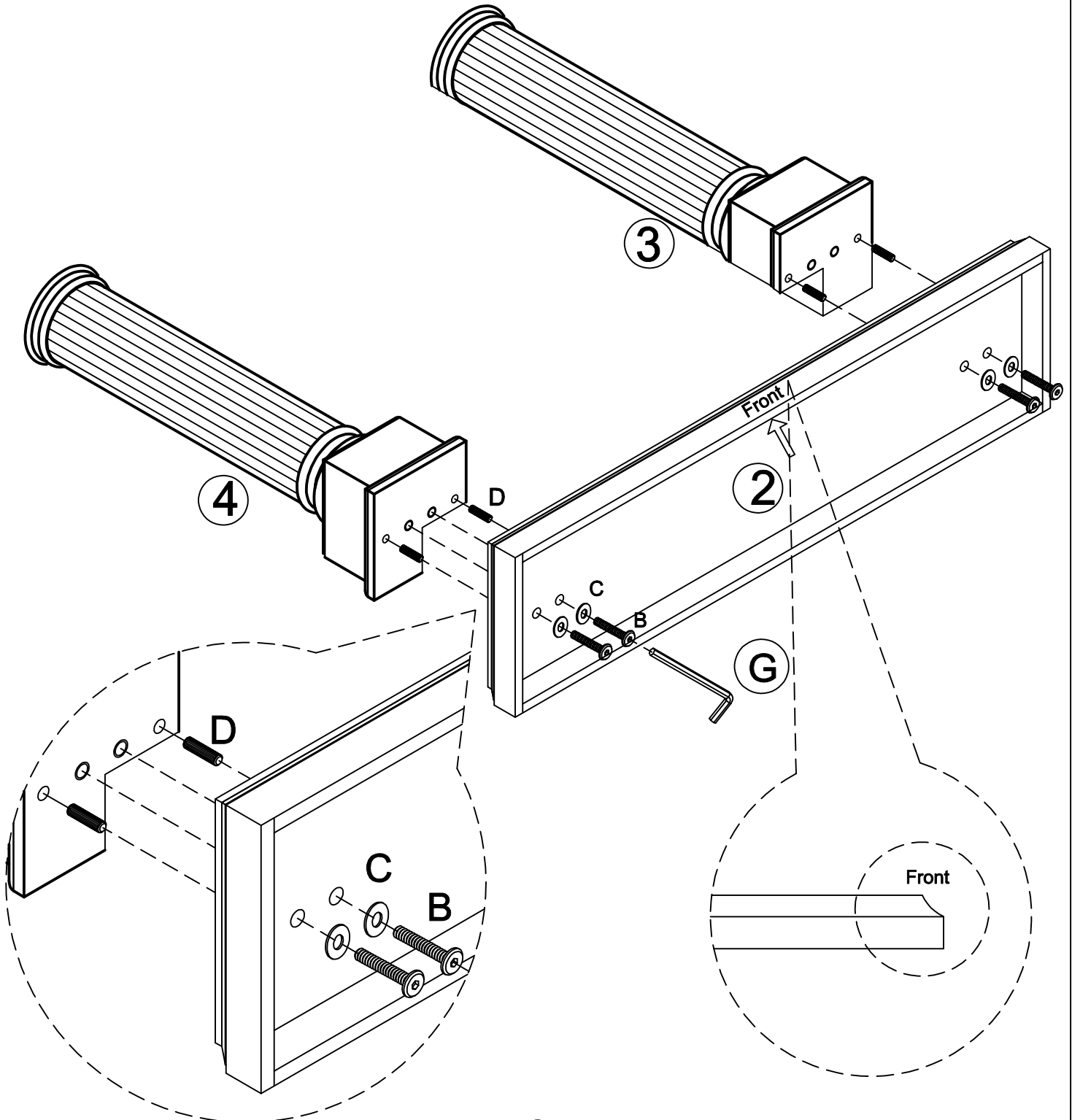


-Insert dowels (D)x2 to the panel ③ and ④ separately as below shown

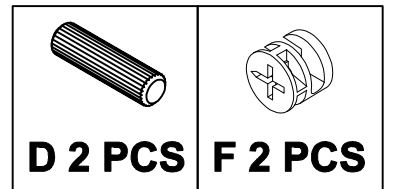
-Attach the panel ③ and ④ with the bottom panel ② as below shown, then screw (B)x4 to lock the panel ③ and ④ with the bottom panel ②

We have to pay attention to the direction of the panel ②.

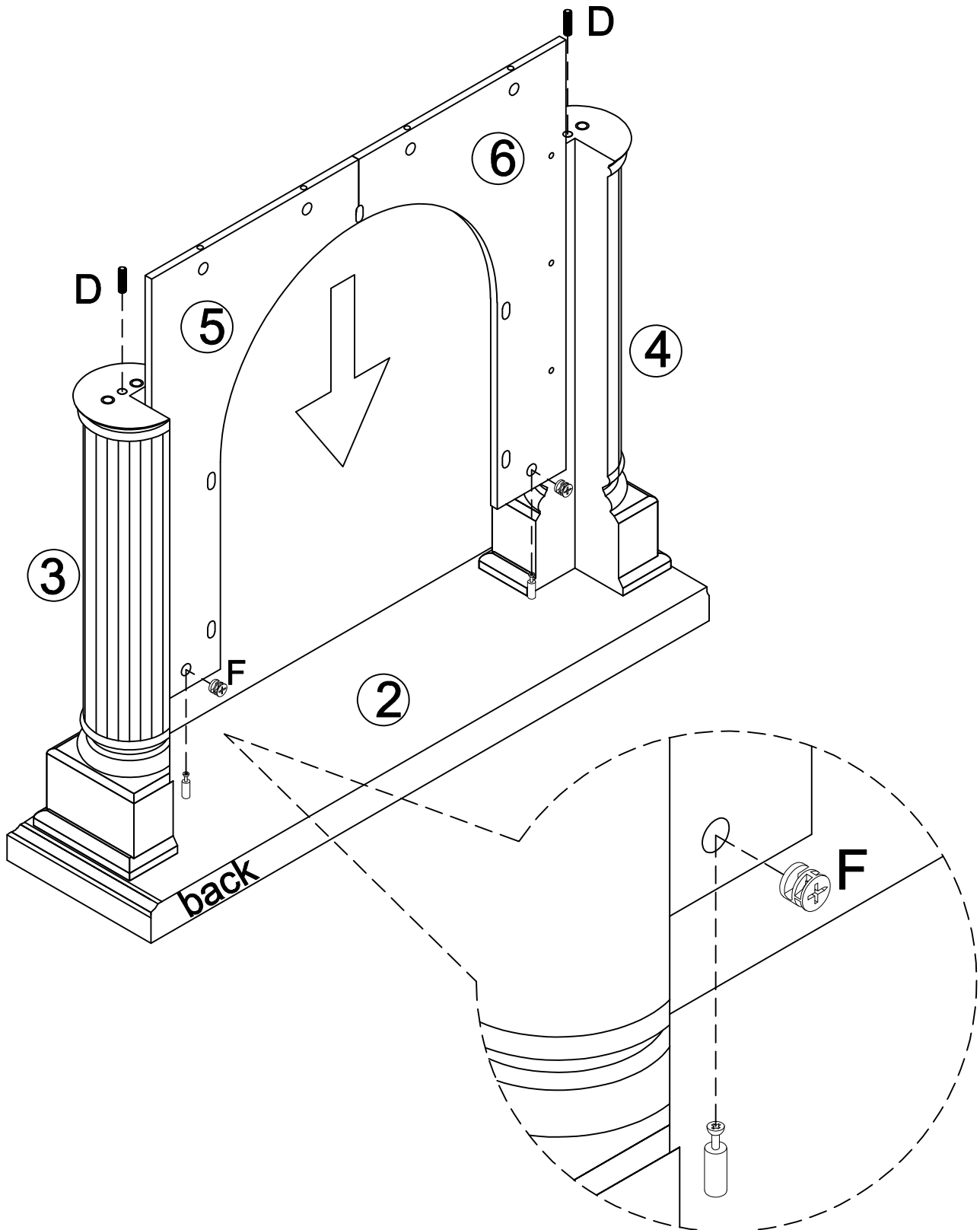
We should keep the front UP as shown. Or it may cause wrong outlook of the stand.



# STEP 3

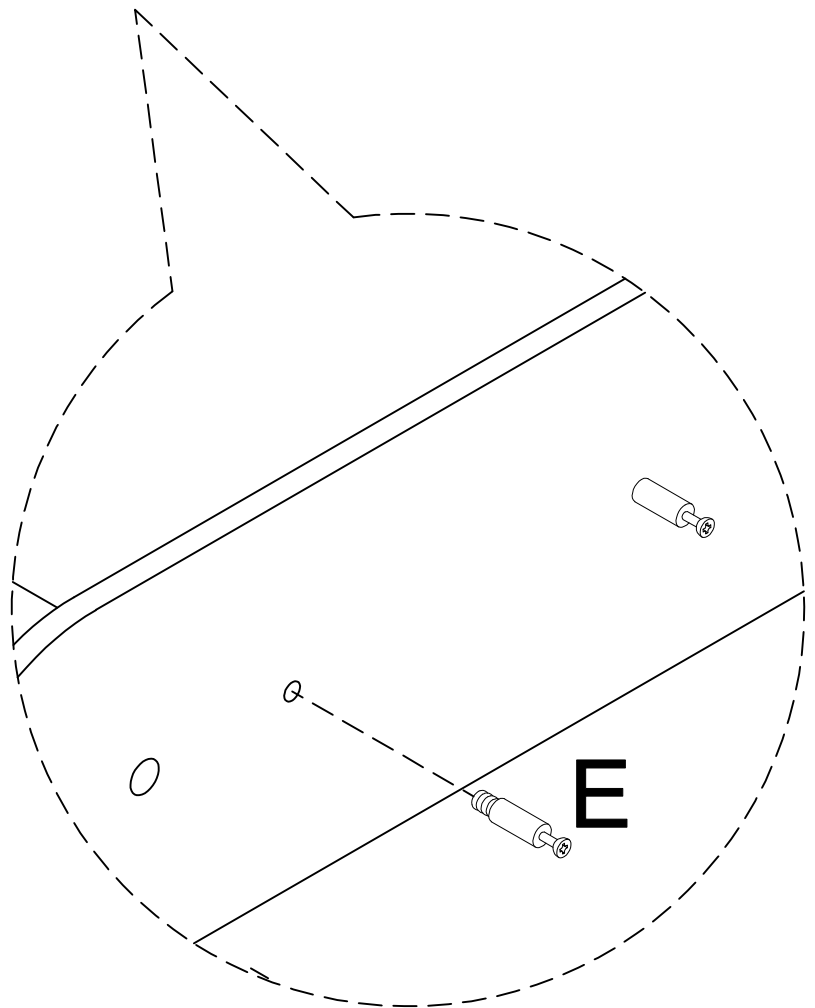
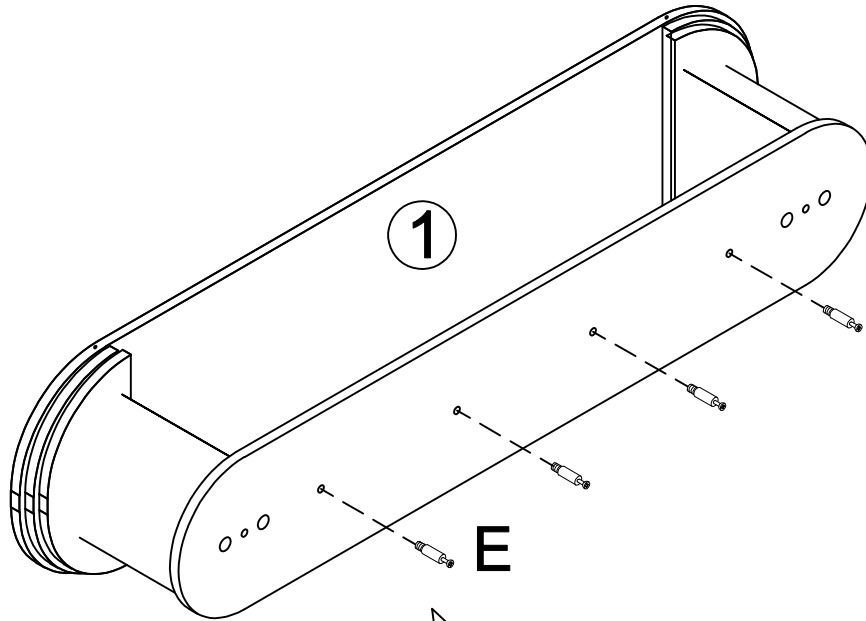
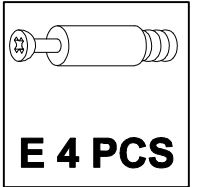


- Insert dowel (D) to the panel ③ and ④ separately as below shown
- Attach the panel ⑤ and the panel ⑥ to the bottom panel ② as below shown
- Screw (F) to lock the panel ⑤ and ⑥ with the bottom panel ② as below shown

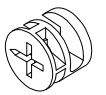
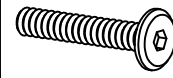


# STEP 4

-Screw (E)x4 to the top panel ① as below shown



# STEP 5

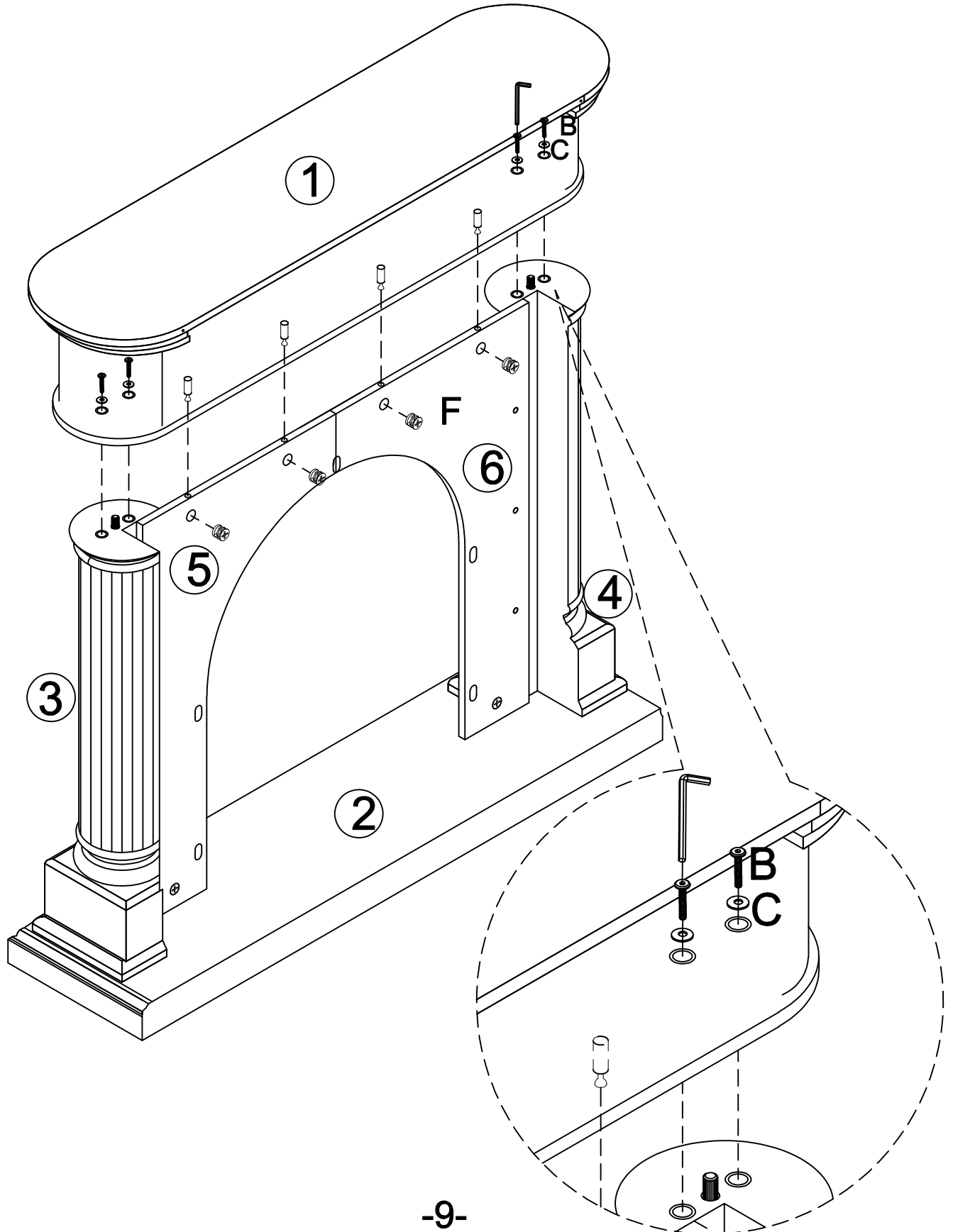


**B 4 PCS**

**C 4 PCS**

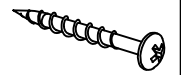
**F 4 PCS**

- Attach the top panel ① with the combination of ③&④&⑤&⑥ as below shown
- Lock (F)x4 to tighten top panel ① with the panel ⑤&⑥ as below shown
- Screw (B)x4 to lock the top panel ① with 2 stands of ③ and ④ as below shown

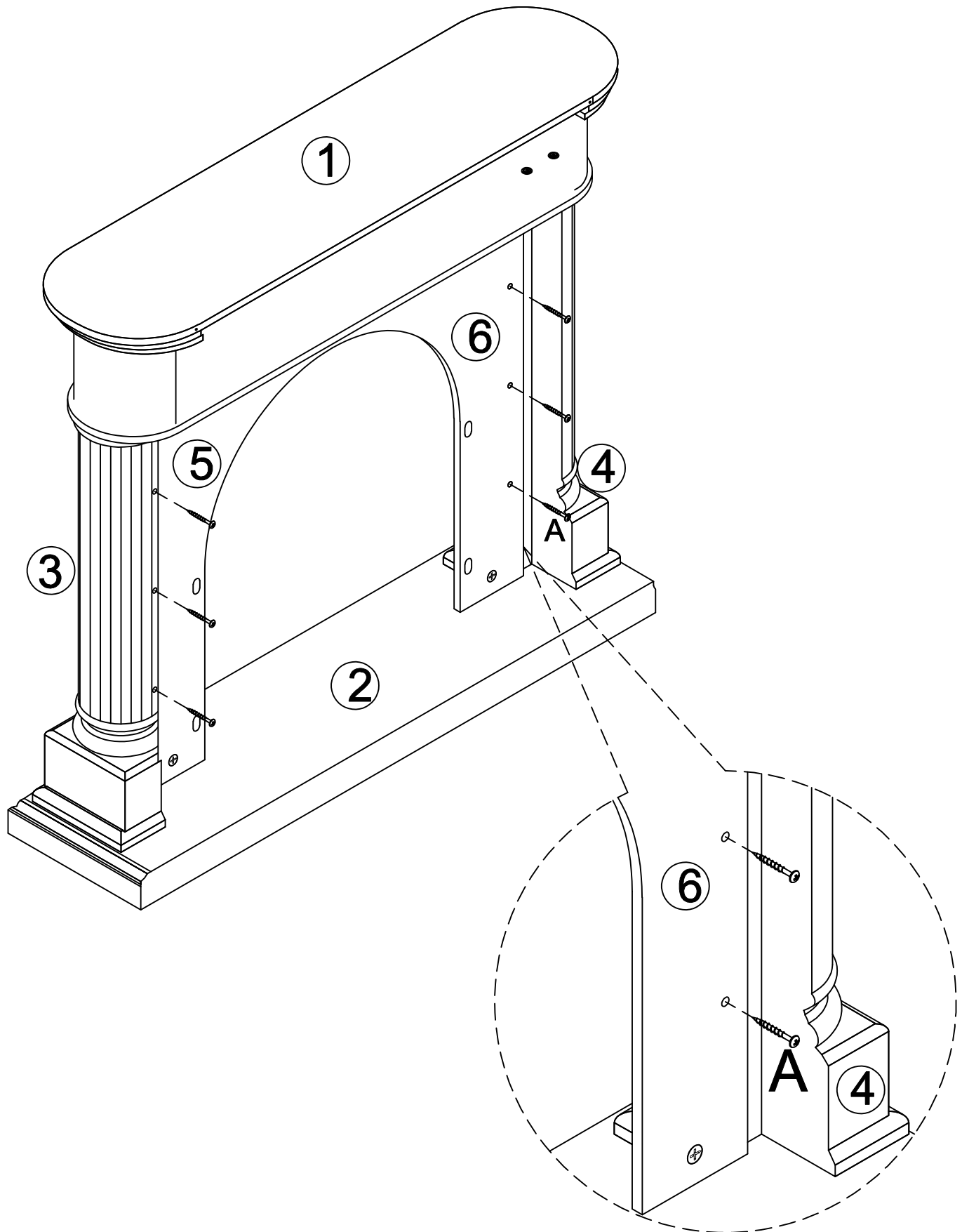


# STEP 6

-Screw (A)x3 to lock the panel ⑤ with the stand ③,  
the panel ⑥ with the stand ④ separately as below shown

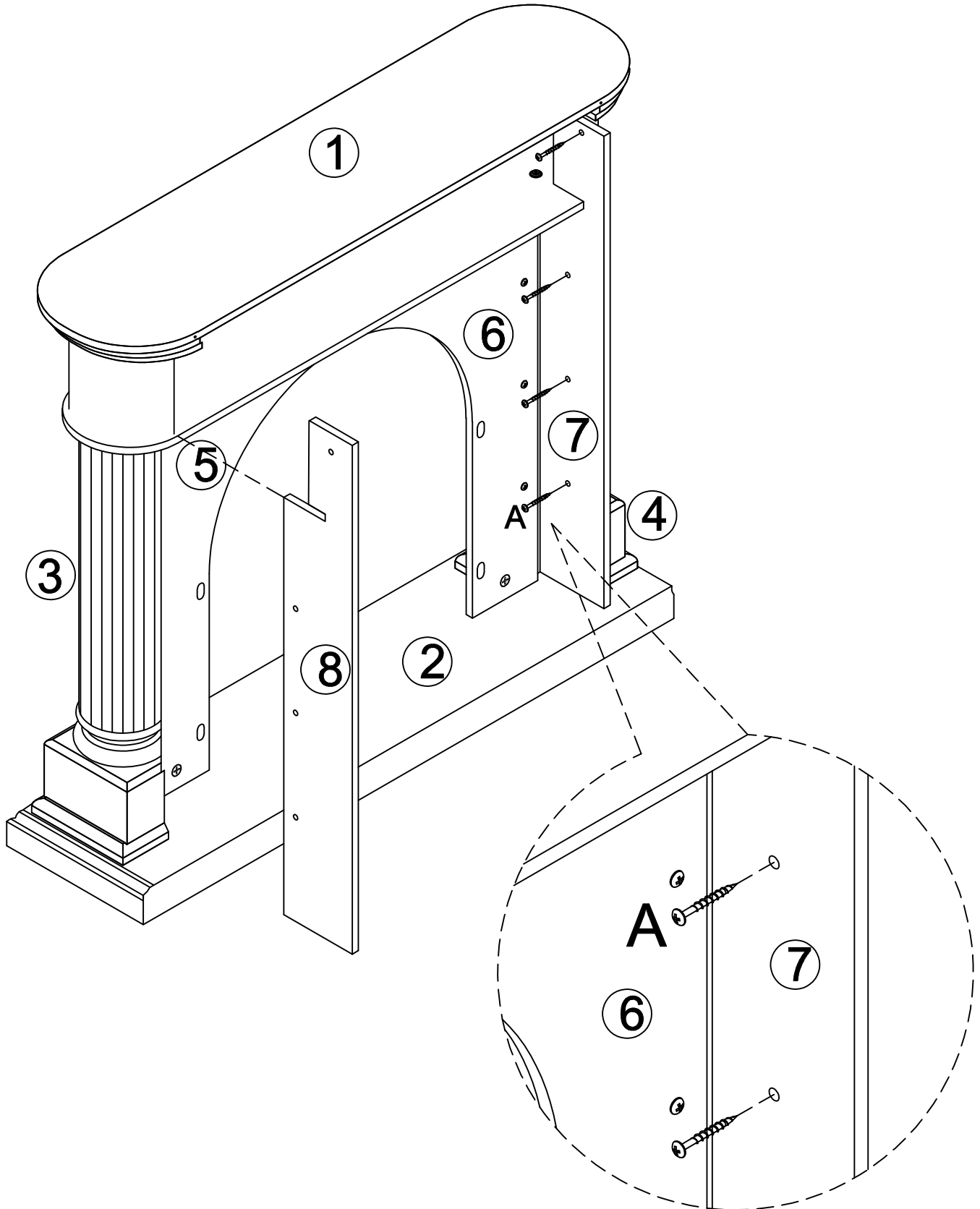
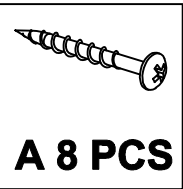


**A 6 PCS**



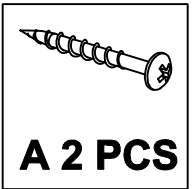
# STEP 7

- Attach the panel ⑧ to the side of the panel ⑤ as below shown
- Attach the panel ⑦ to the side of the panel ⑥ as below shown
- Screw (A)x4 to lock the panel ⑦ with the stand ④ as below shown
- Screw (A)x4 to lock the panel ⑧ with the stand ③ as below shown

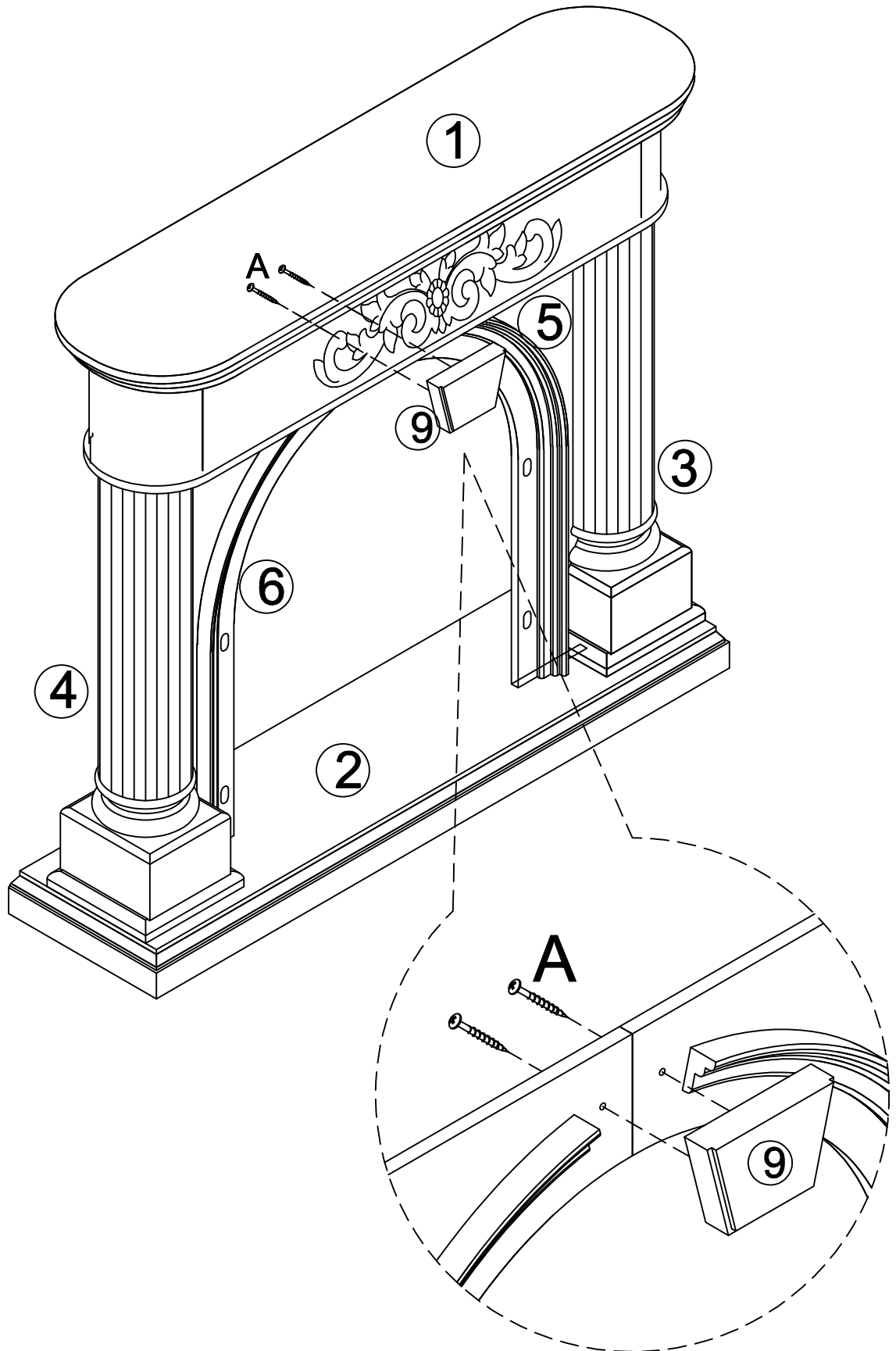


# STEP 8

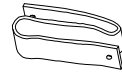
We recommend one people hold the panel ⑨ in front and one people screw the (A)x2 behind.



-Screw (A)x2 to lock the panel ⑨ on the combination of ⑤&⑥ as below shown



# STEP 9

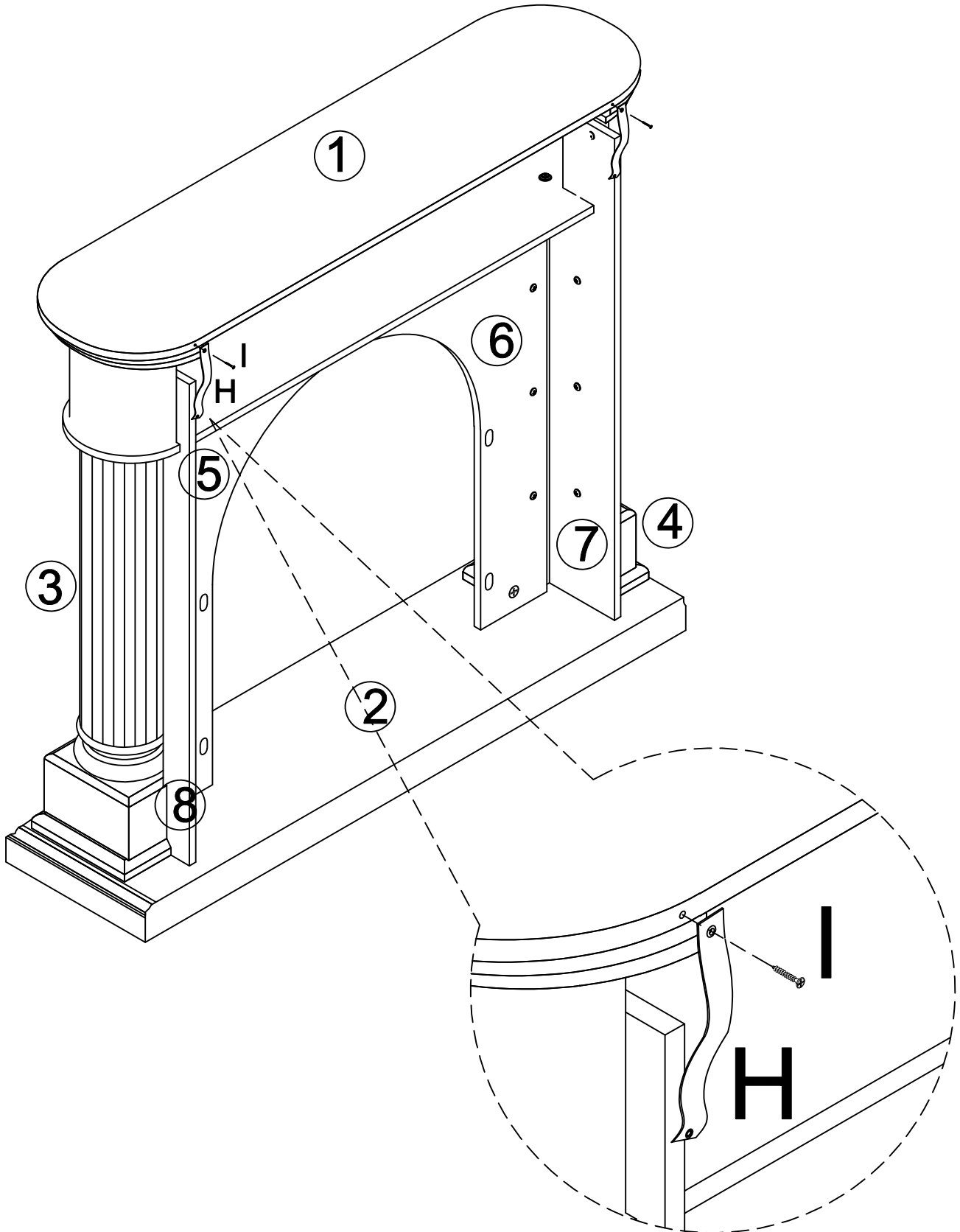


H 2 PCS



I 2 PCS

-Screw (I)x2 to install the anti-tip device (H)x2 as below shown

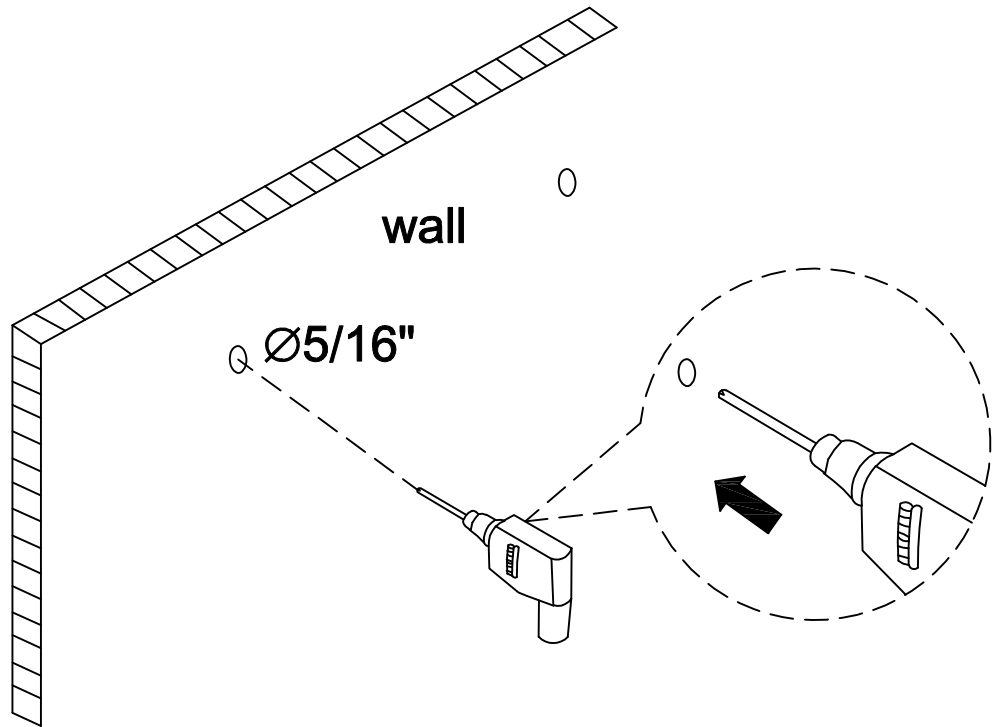


# STEP 10

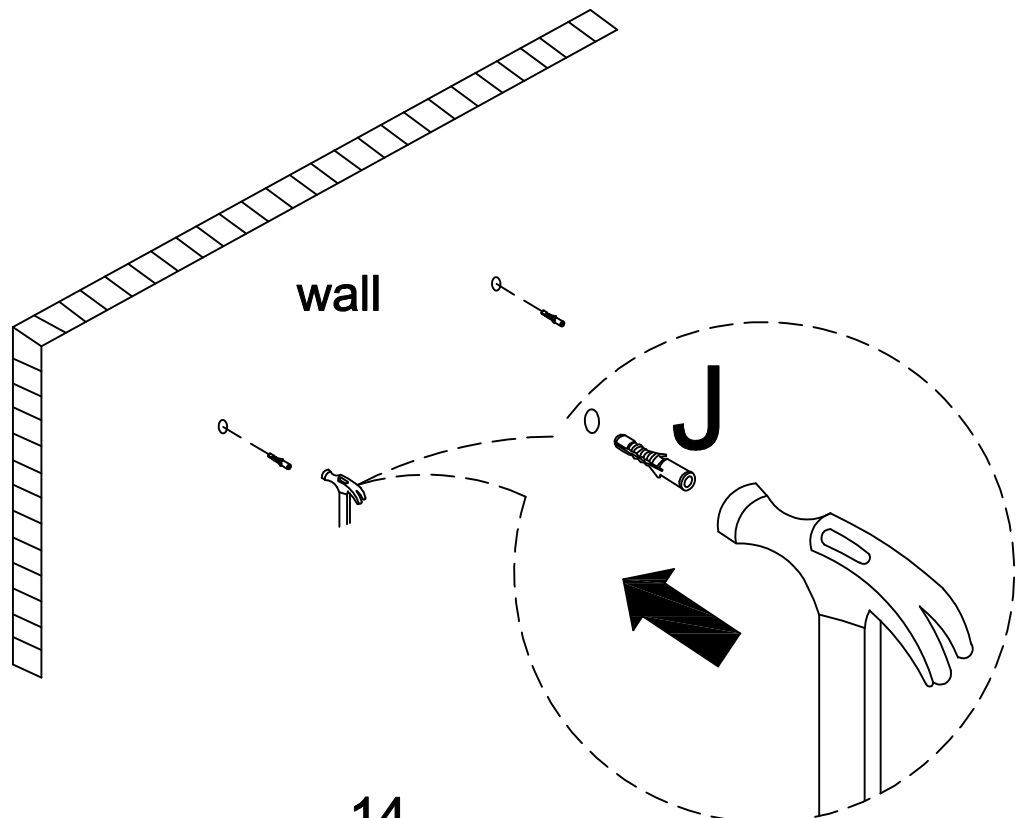


**J 2 PCS**

-We recommend use impact drill to drill 2 holes to install the (J)x2 to the wall as below shown



-Use a hammer to fix (J)x2 to the wall as below shown

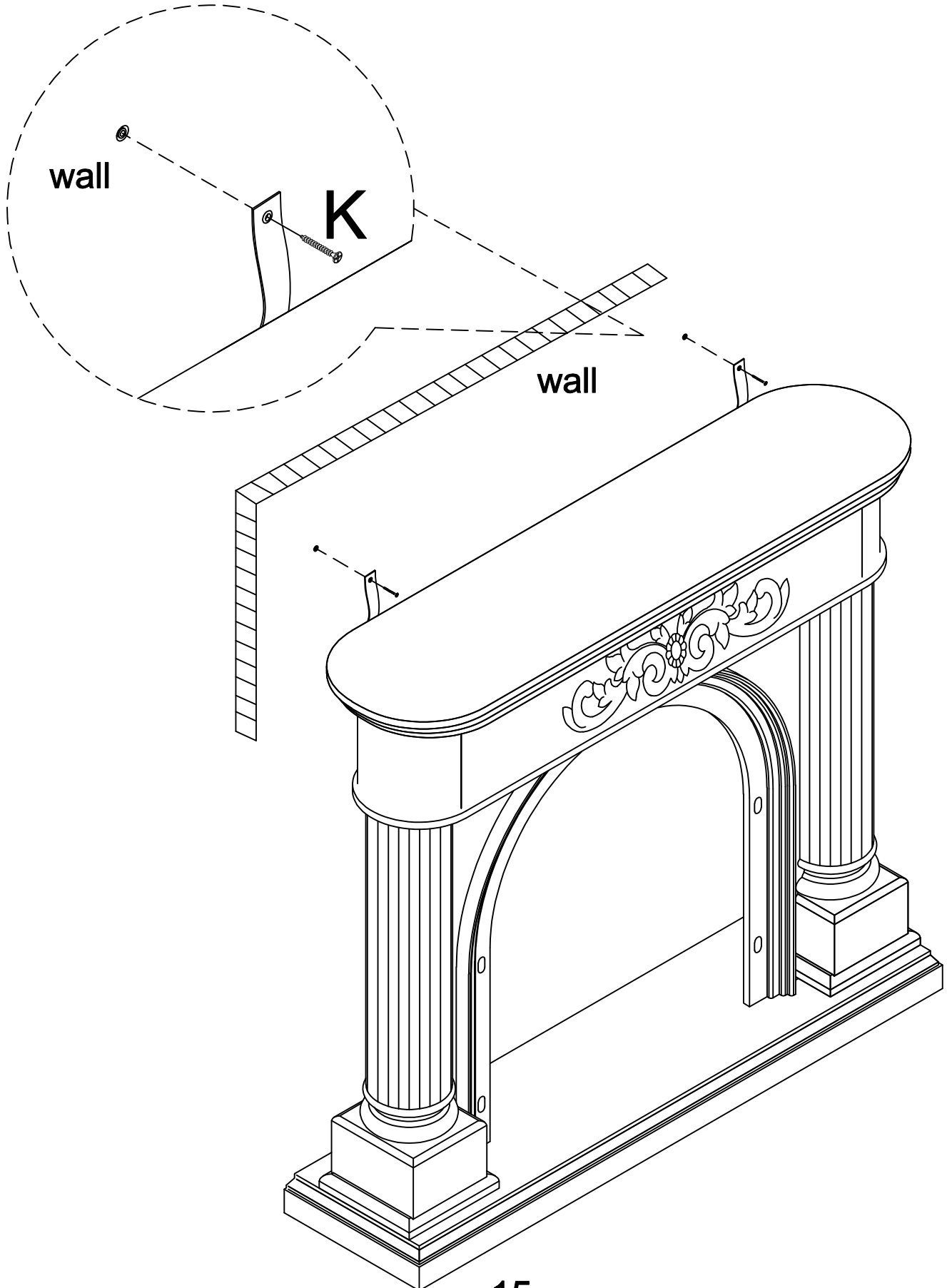


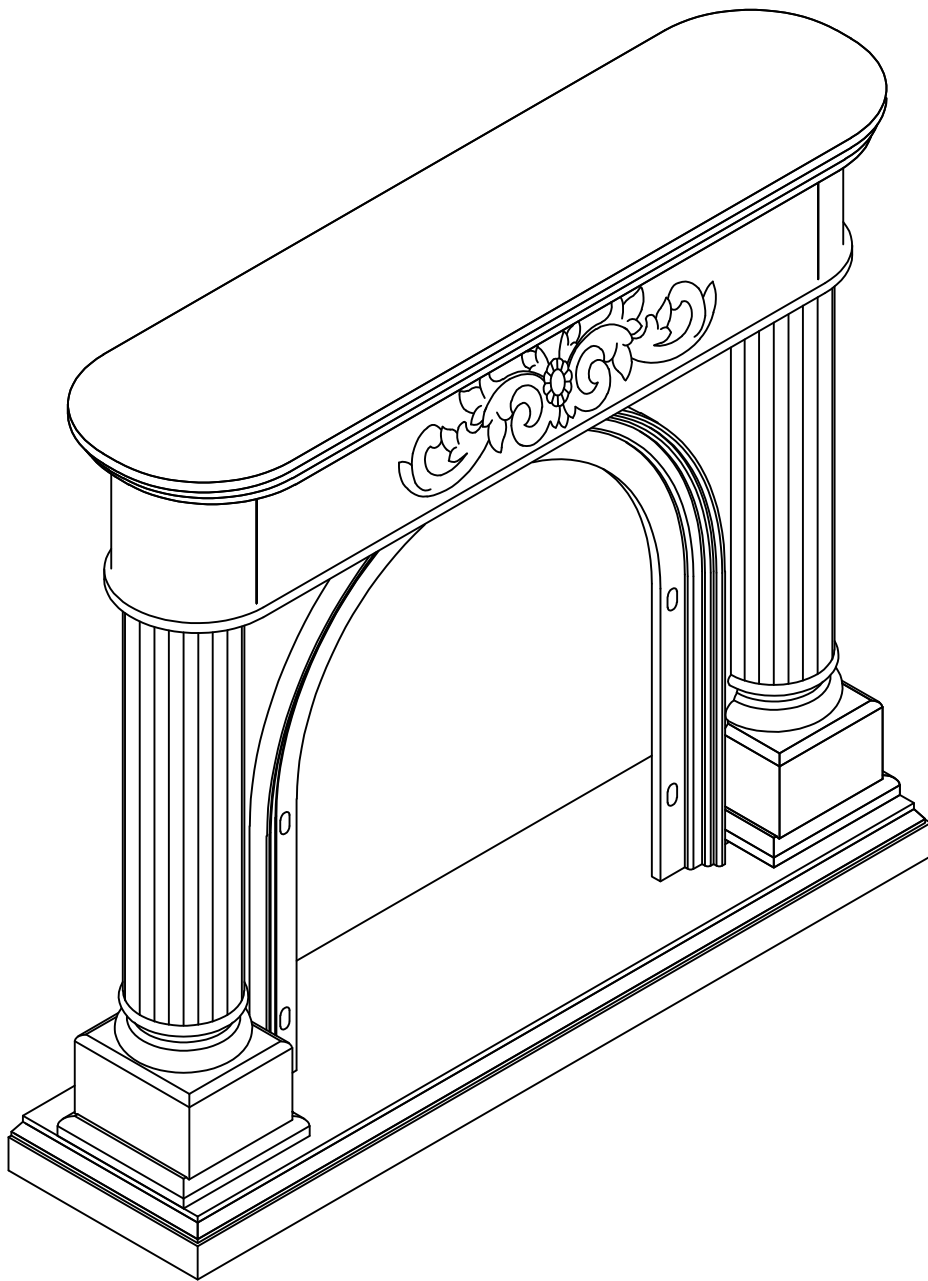
# STEP 11



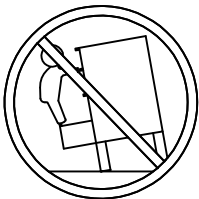
**K 2 PCS**

-Screw (K)x2 to fix another side of the anti-tip device to the wall as below shown





## WARNING



Children have died from furniture tipover.  
To reduce the risk of furniture tipover:

- ALWAYS install tipover restraint provided.
- For use with televisions weighing 44lb (20 kg) or less. Use with heavier televisions may result in instability causing tip-over resulting in death or serious injury.
- NEVER allow children to stand, climb or hang on drawers, doors, or shelves.
- NEVER open more than one drawer at a time.
- Place heaviest items in the lowest drawers.

This is a permanent label. Do not remove!