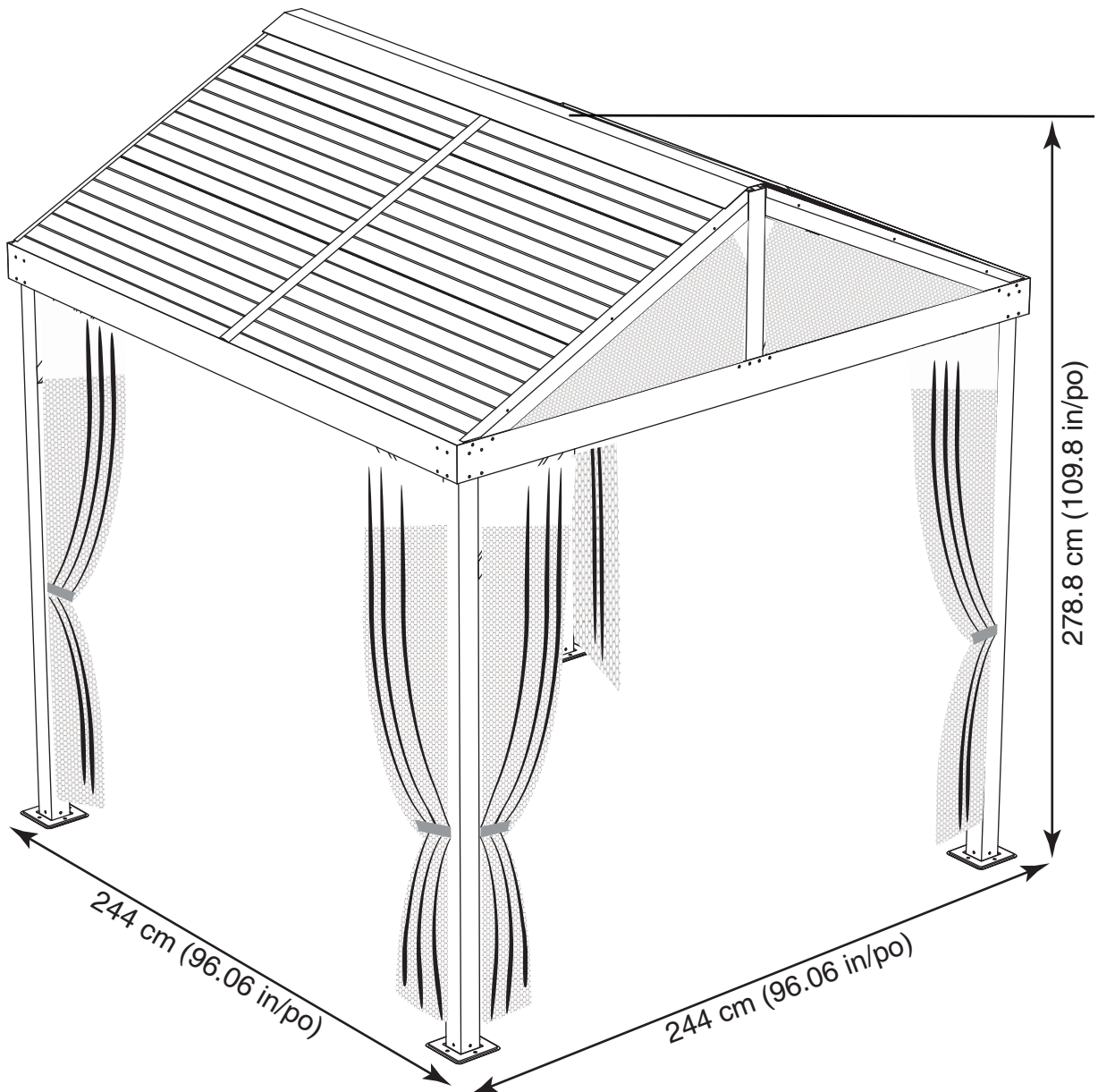
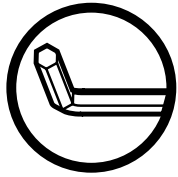
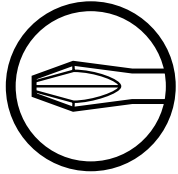


Assembly Manual / Guide d'assemblage /
Manual de ensamblaje / 조립설명서 /
Montageanleitung





Use the hex keys in the box. / Utilisez les clés hexagonales fournies dans la boîte. / Utilice las llaves hexagonales en la caja. / 상자에 육각 키를 사용 하십시오. / Verwenden Sie die Sechskantschlüssel in der Box.



Please use a Phillips screwdriver. / Utilisez un tournevis de type Phillips / Por favor, use un destornillador Phillips. / 십자 드라이버를 사용 하십시오. / Bitte verwenden Sie einen Kreuzschraubenzieher.



You may need to use a drill for this step. / Vous pouvez avoir besoin d'utiliser une perceuse pour cette étape. / Puede que tenga que utilizar un taladro para este paso. / 이 단계에선 드릴을 사용해야 할 수도 있습니다. / Für diesen Schritt können Sie einen Bohrer verwenden.



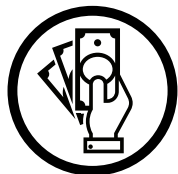
Wearing protective gloves is recommended. / Le port de gants de protection est recommandé / El uso de guantes de protección se recomienda. / 보호 장갑을 착용 하는 것이 좋습니다. / Das Tragen von Schutzhandschuhen wird empfohlen.



Two or more people are required at this stage. / Deux personnes ou plus sont nécessaires à cette étape. / Dos o más personas se requieren en esta etapa. / 이 단계에서는 두 명 이상 이 필요합니다. / Für diesen Bauschritt sind 2 oder mehr Personen erforderlich.



Do not tighten screws all the way for now. / Ne pas visser fermement pour l'instant. / No atornille con firmeza por ahora. / 아직 나사를 단단히 조이지 마십시오. / Bitte die Schrauben zum jetzigen Zeitpunkt noch nicht fest anziehen.

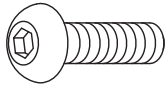


Sold separately. / Vendus séparément. / vendido en las opciones. / 옵션 판매 / Optional erhältlich



Optional step / Étape optionnelle / Paso opcional / 선택적 단계 / Optionaler Schritt

V X 85 (+9)



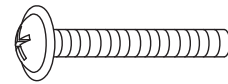
X X 32 (+3)



X1 X 16 (+4)



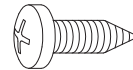
Y1 X 6 (+2)



Wa X 1



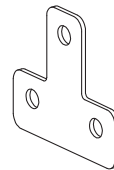
Y X 68 (+10)



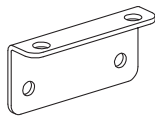
M1 X 4



M3 X 4



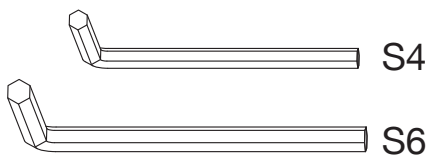
M4 X 2



M5 X 2



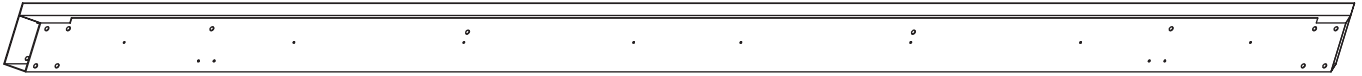
Z X 1



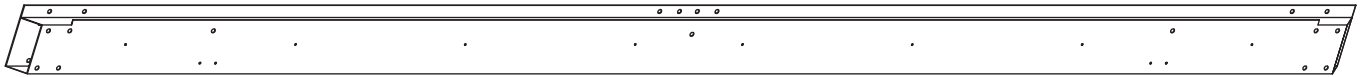
A X4



B X2



C X2



B2a X4



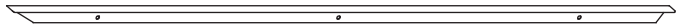
E X2



E1 X2



E2 X2



E3 X2



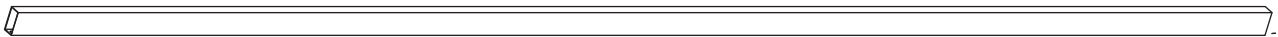
F X2



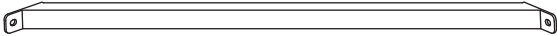
F1 X2



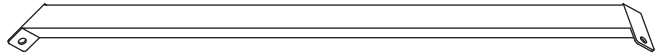
G X2



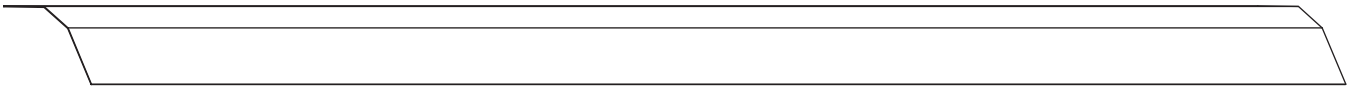
I X4



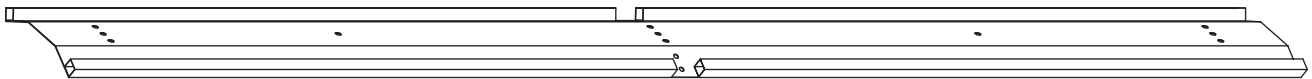
J X2



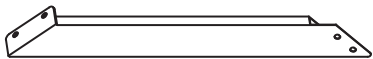
K X1



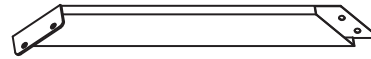
K1 X1

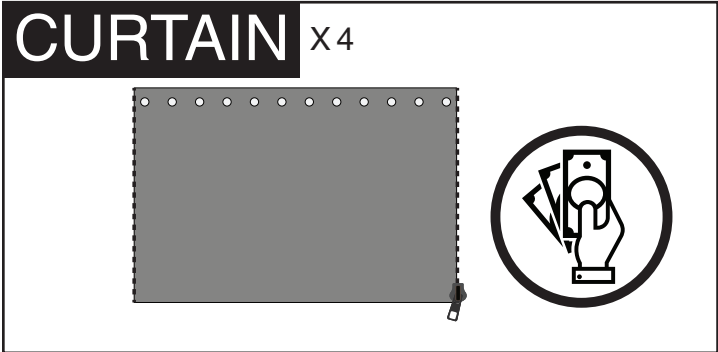
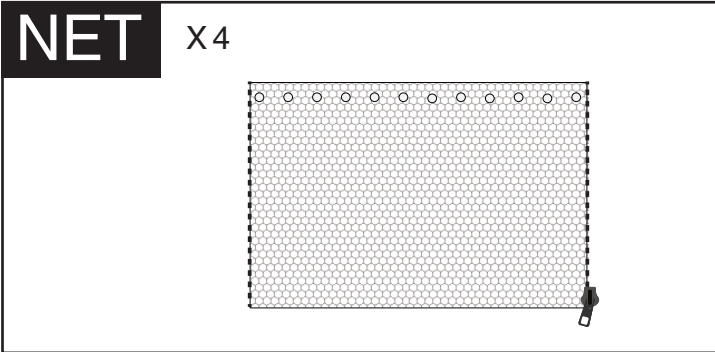
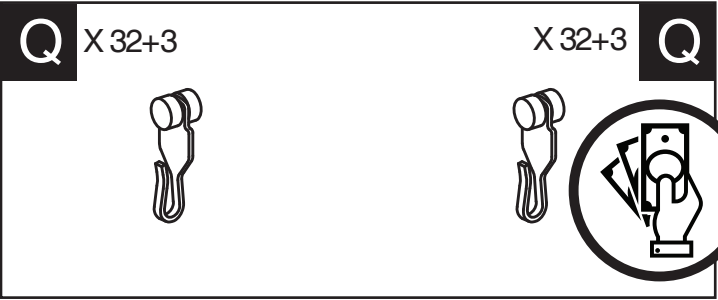
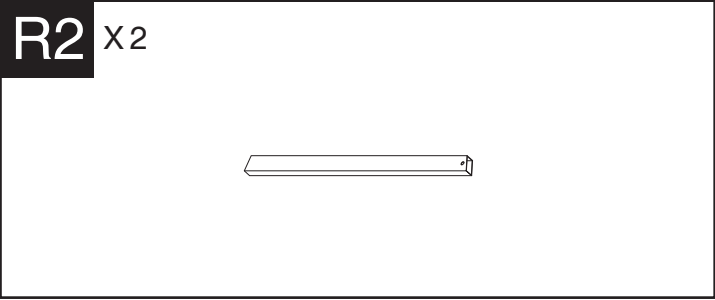
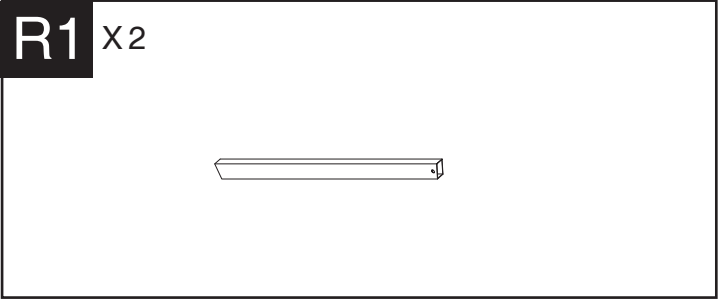
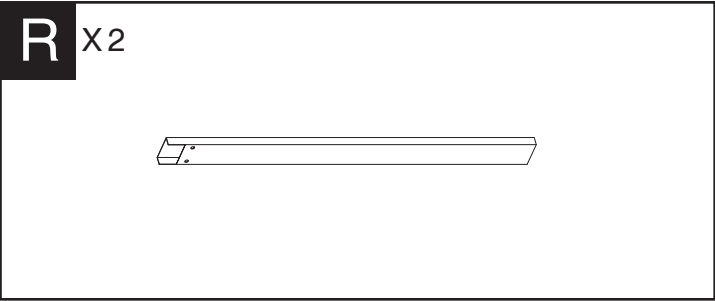
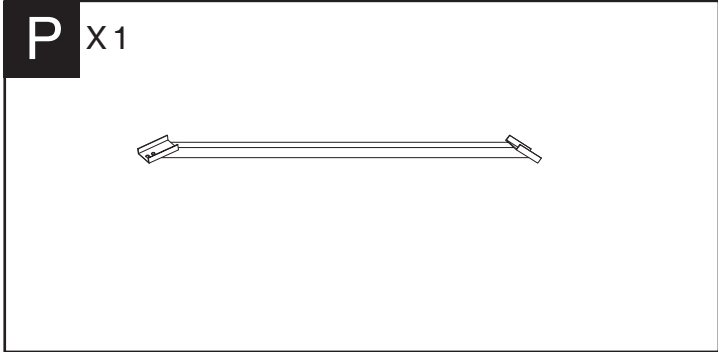
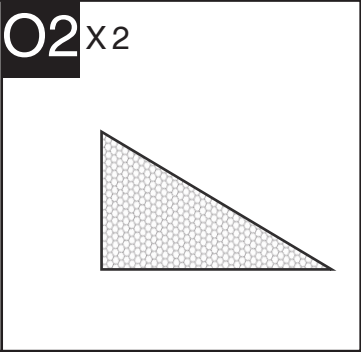
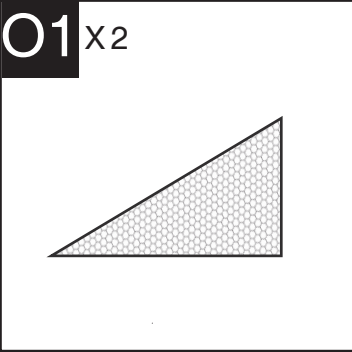
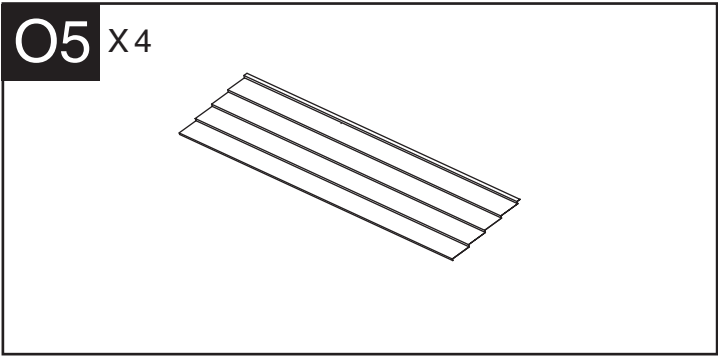
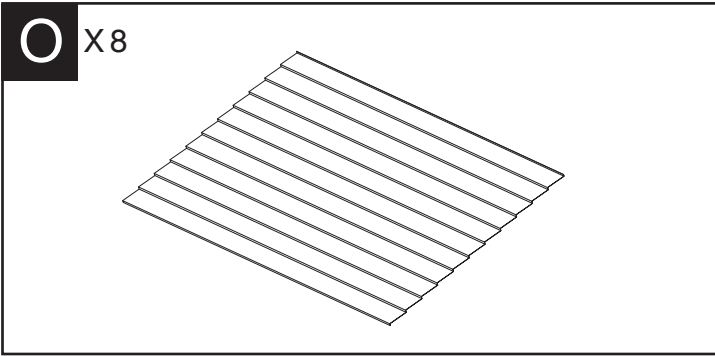


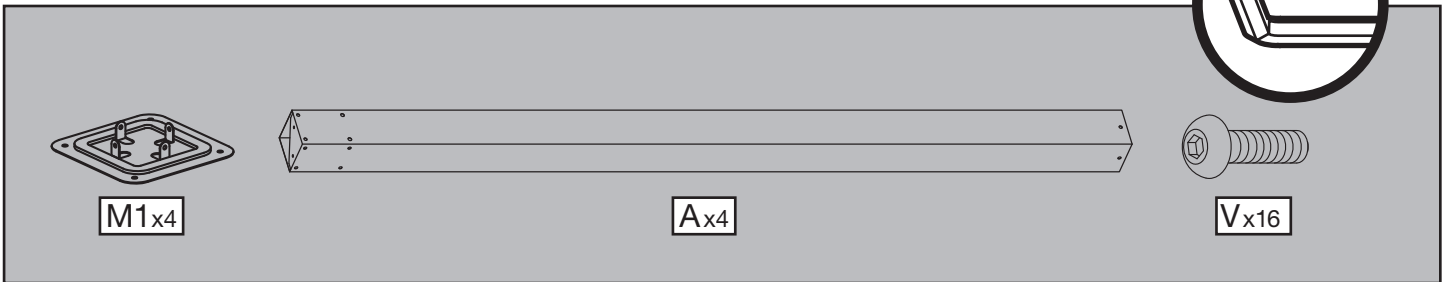
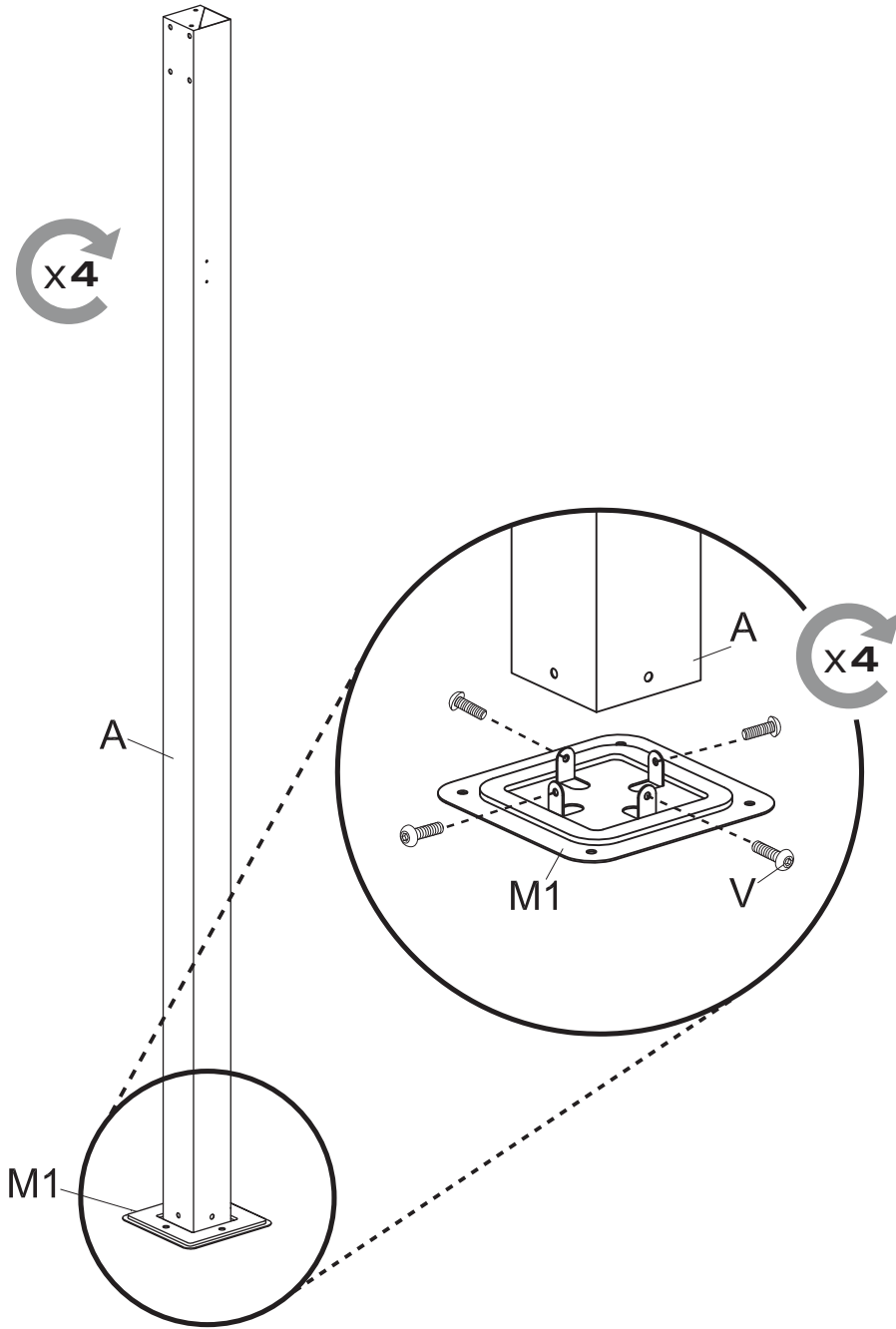
L1 X4

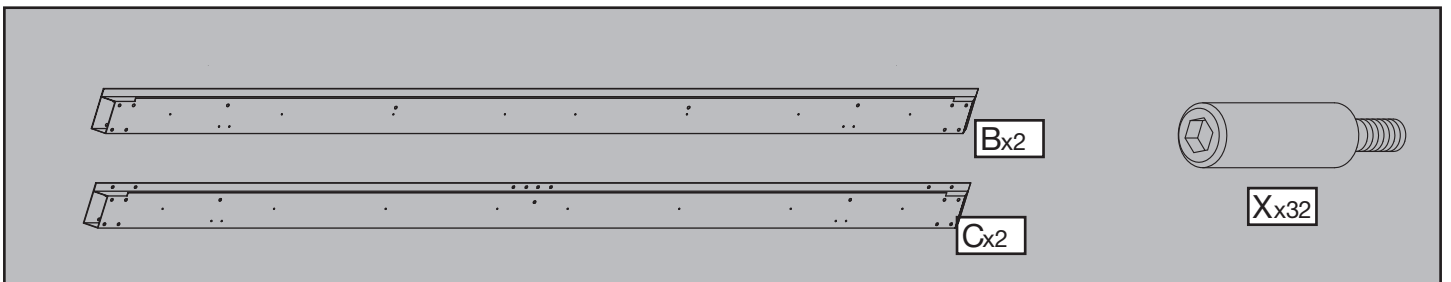
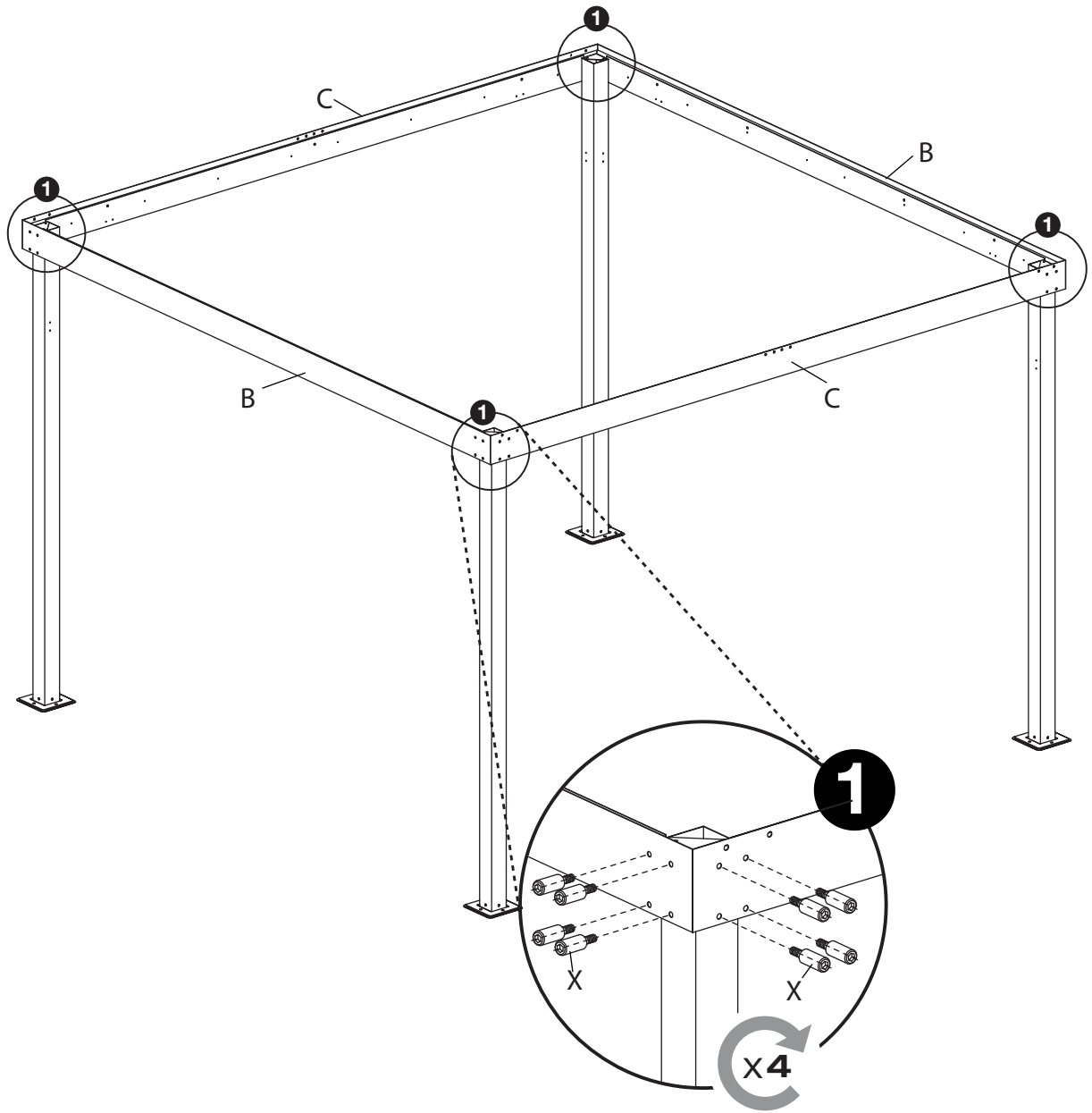


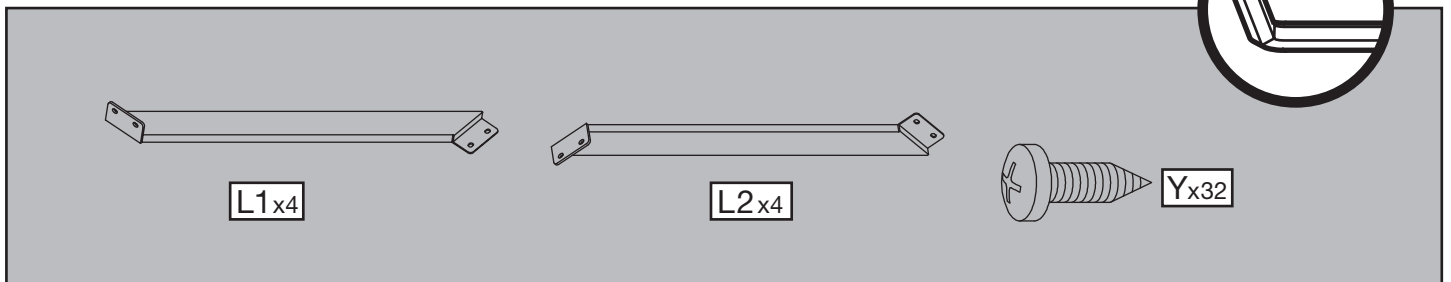
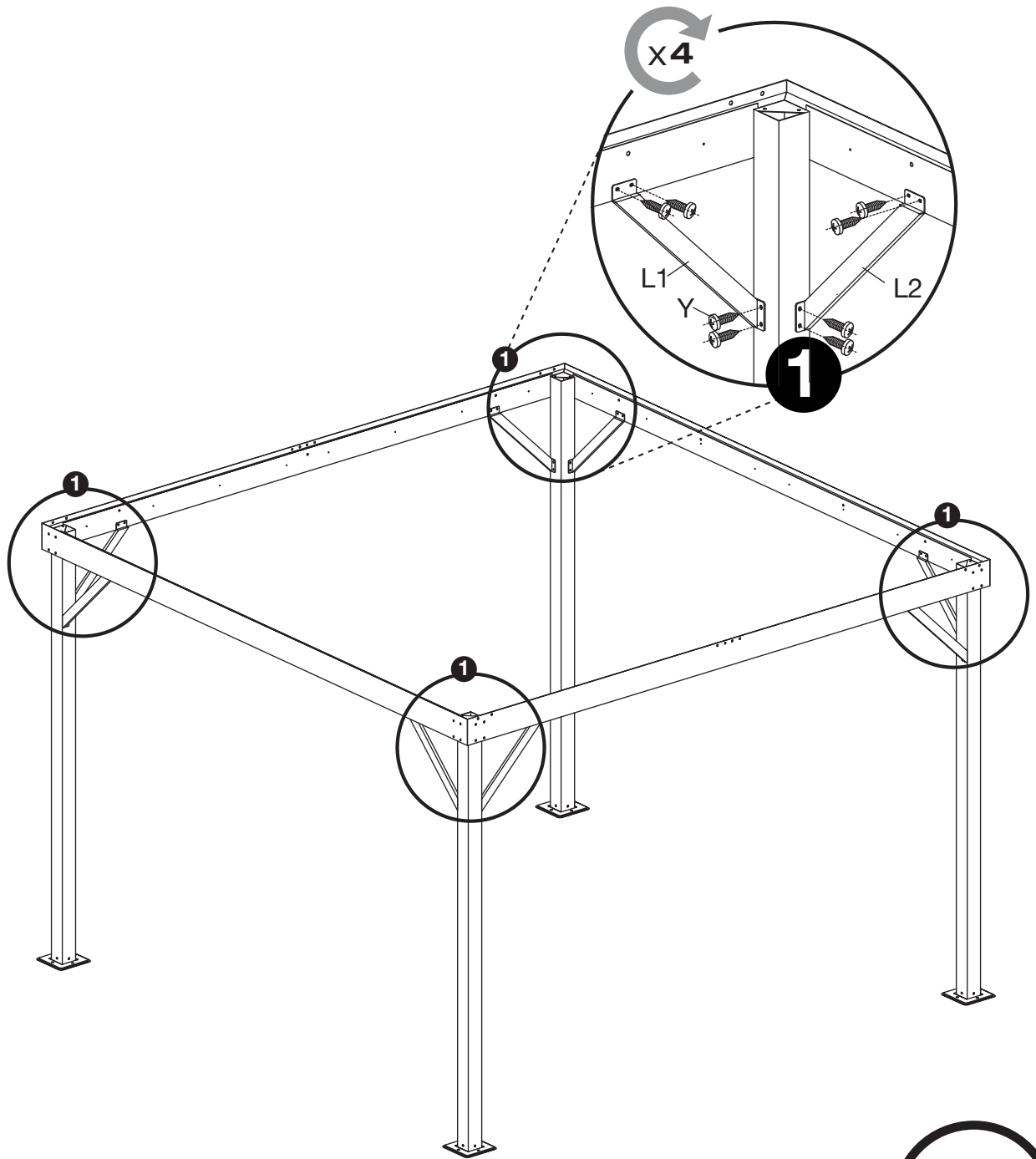
L2 X4

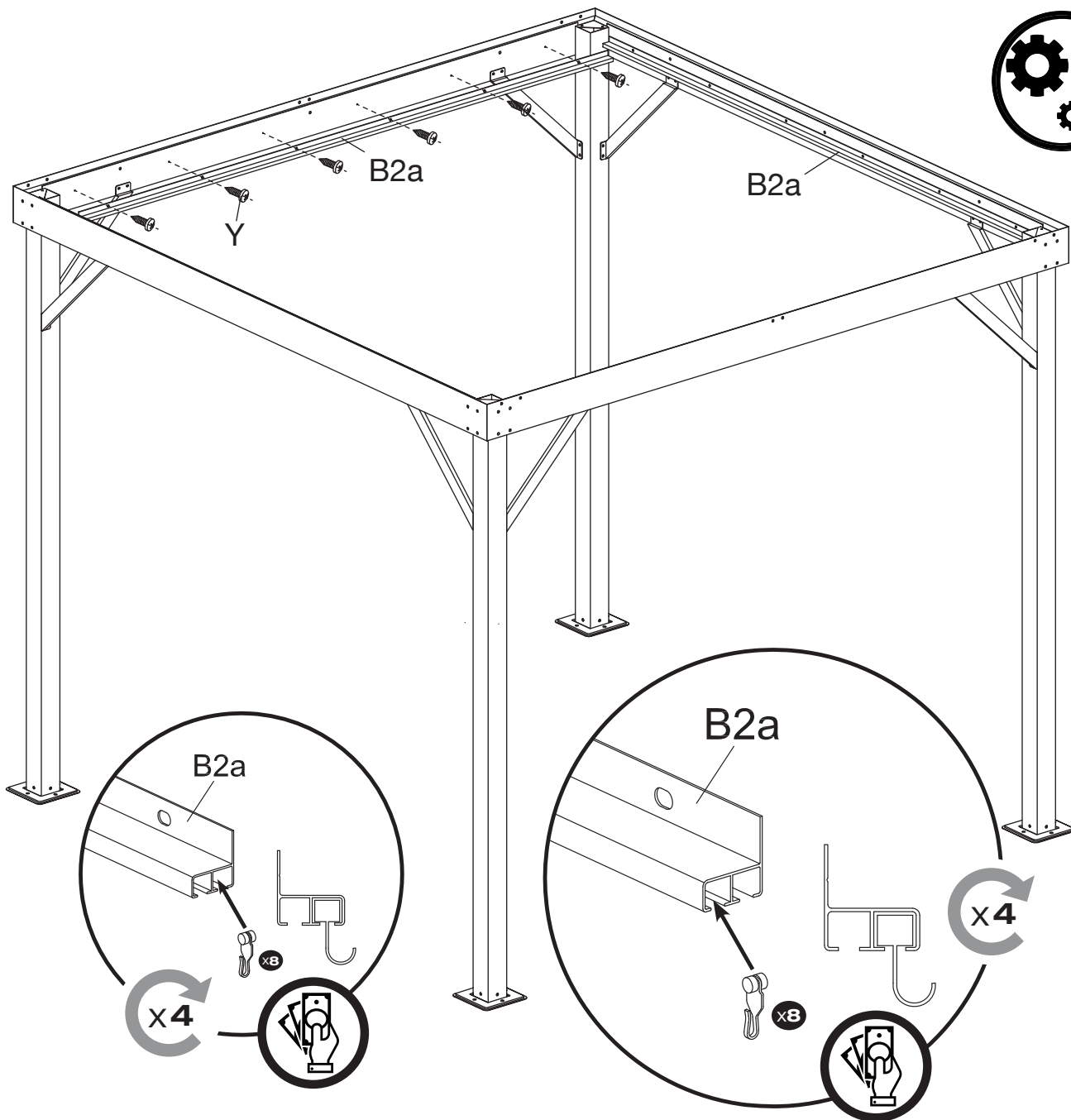
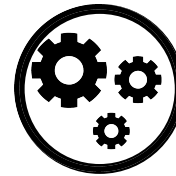








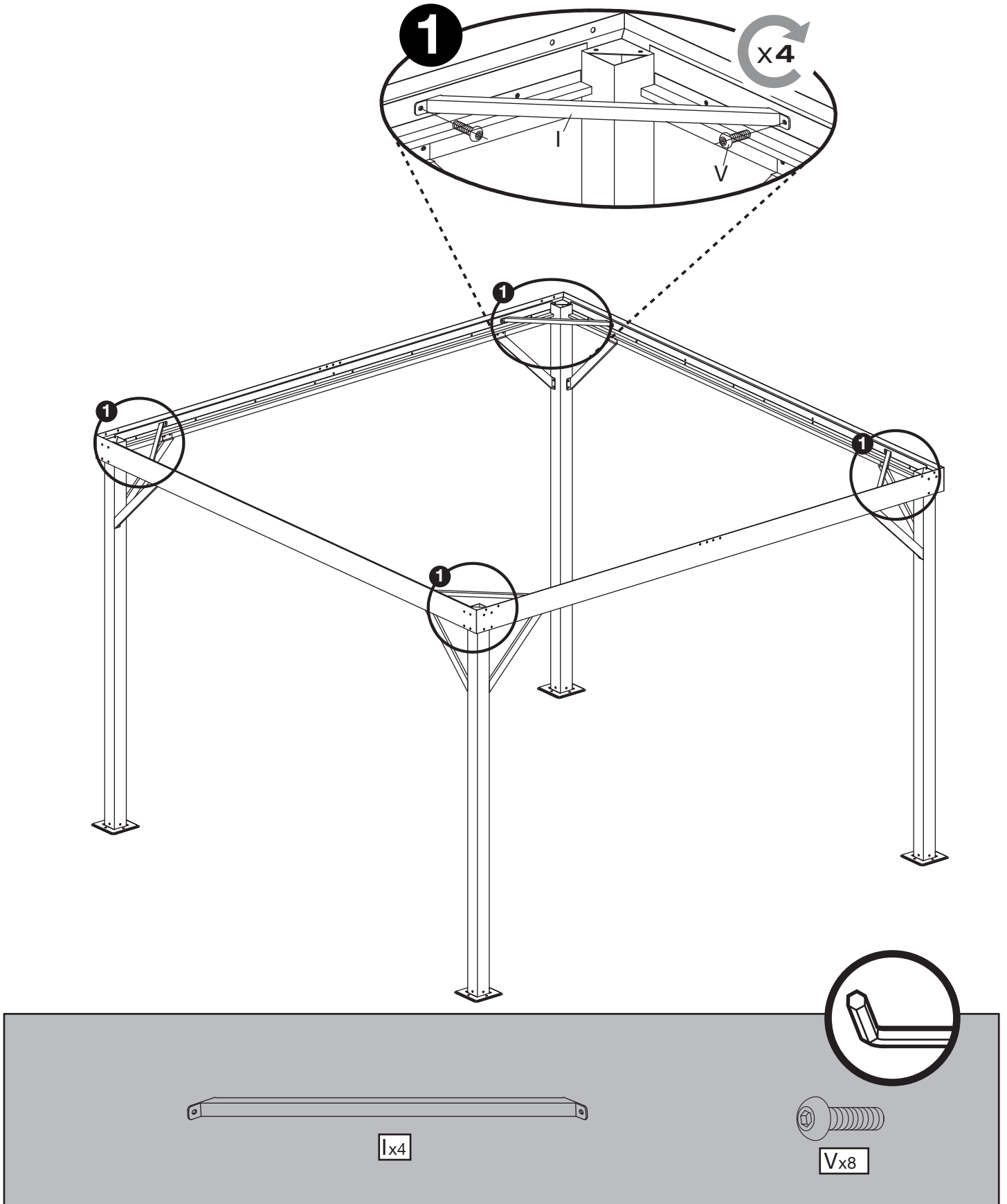


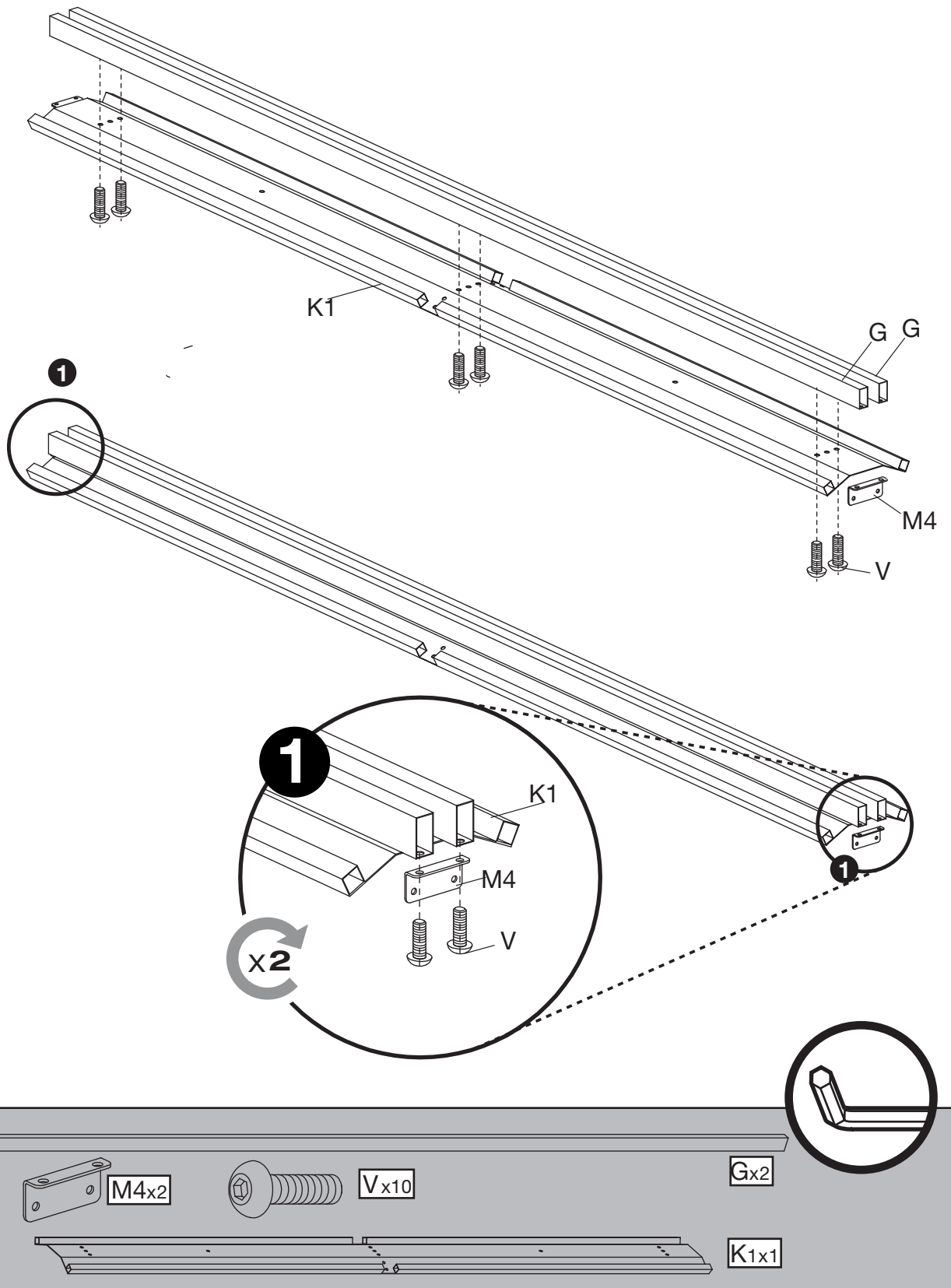


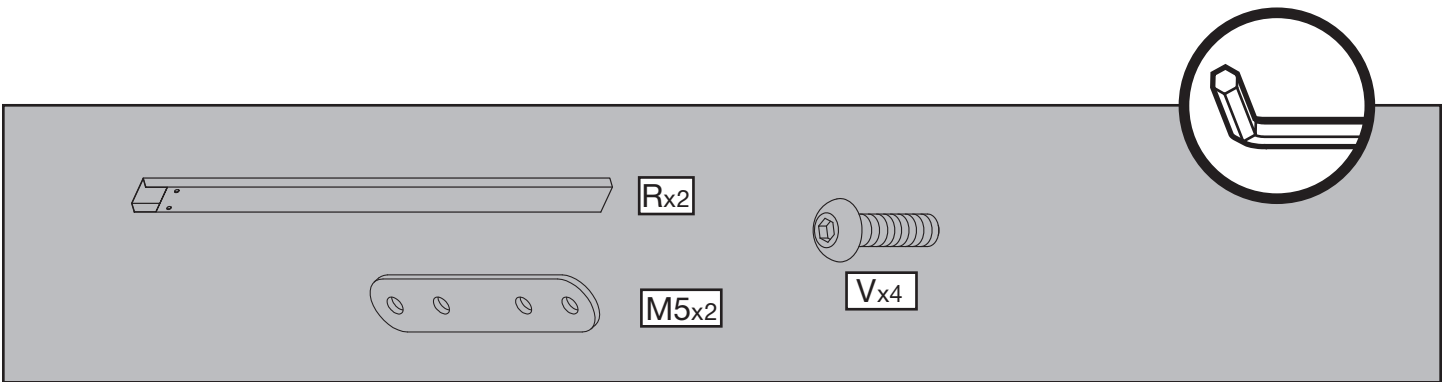
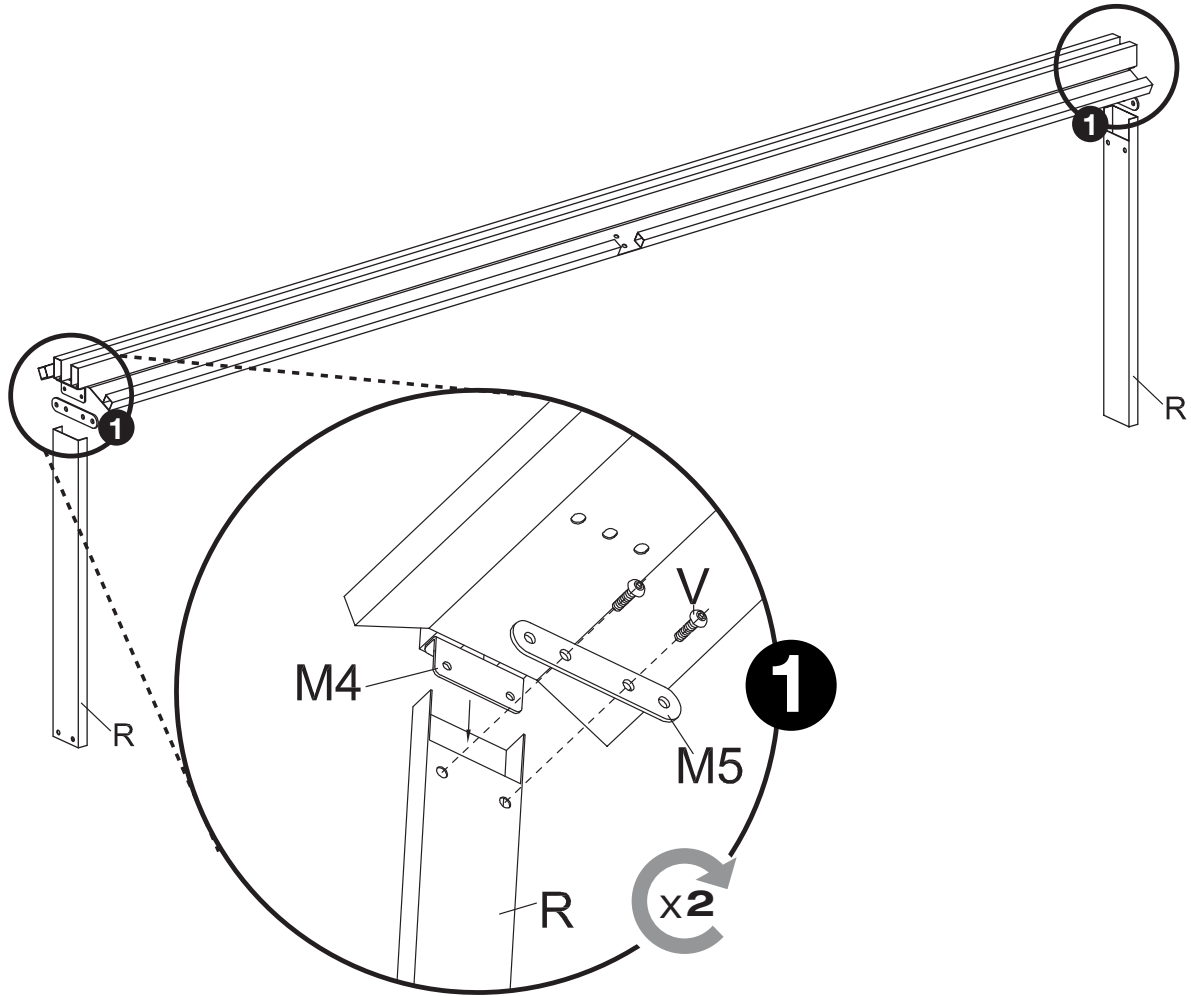
The parts list diagram shows the following components:

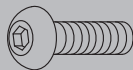
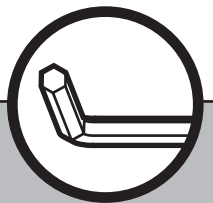
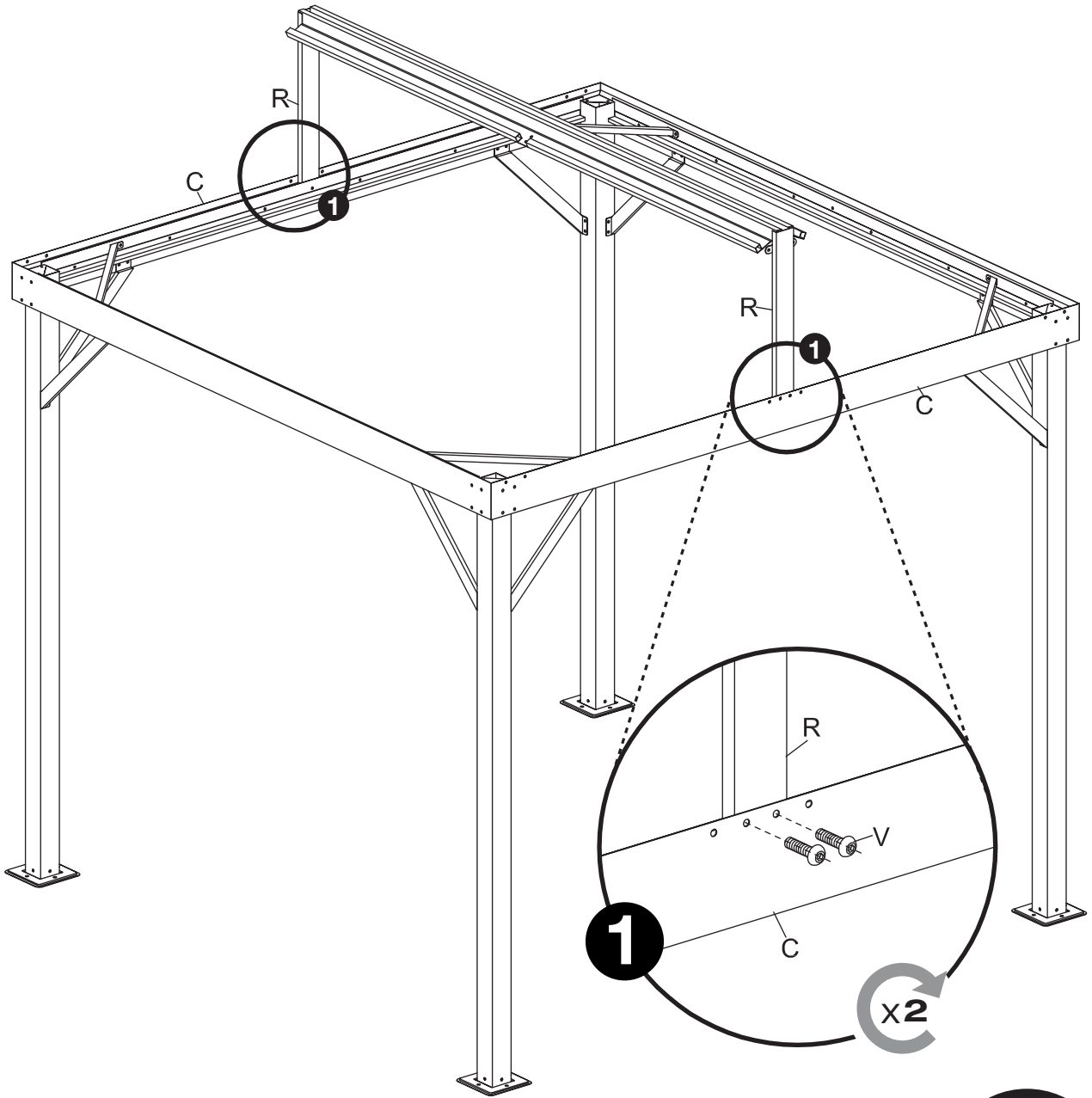
- A screw labeled Yx24.
- A beam labeled B2ax4.
- A fastener labeled Qx32.
- A fastener labeled Qx32.

There are also two circular icons: one showing a corner bracket and another showing a hand holding a fastener.

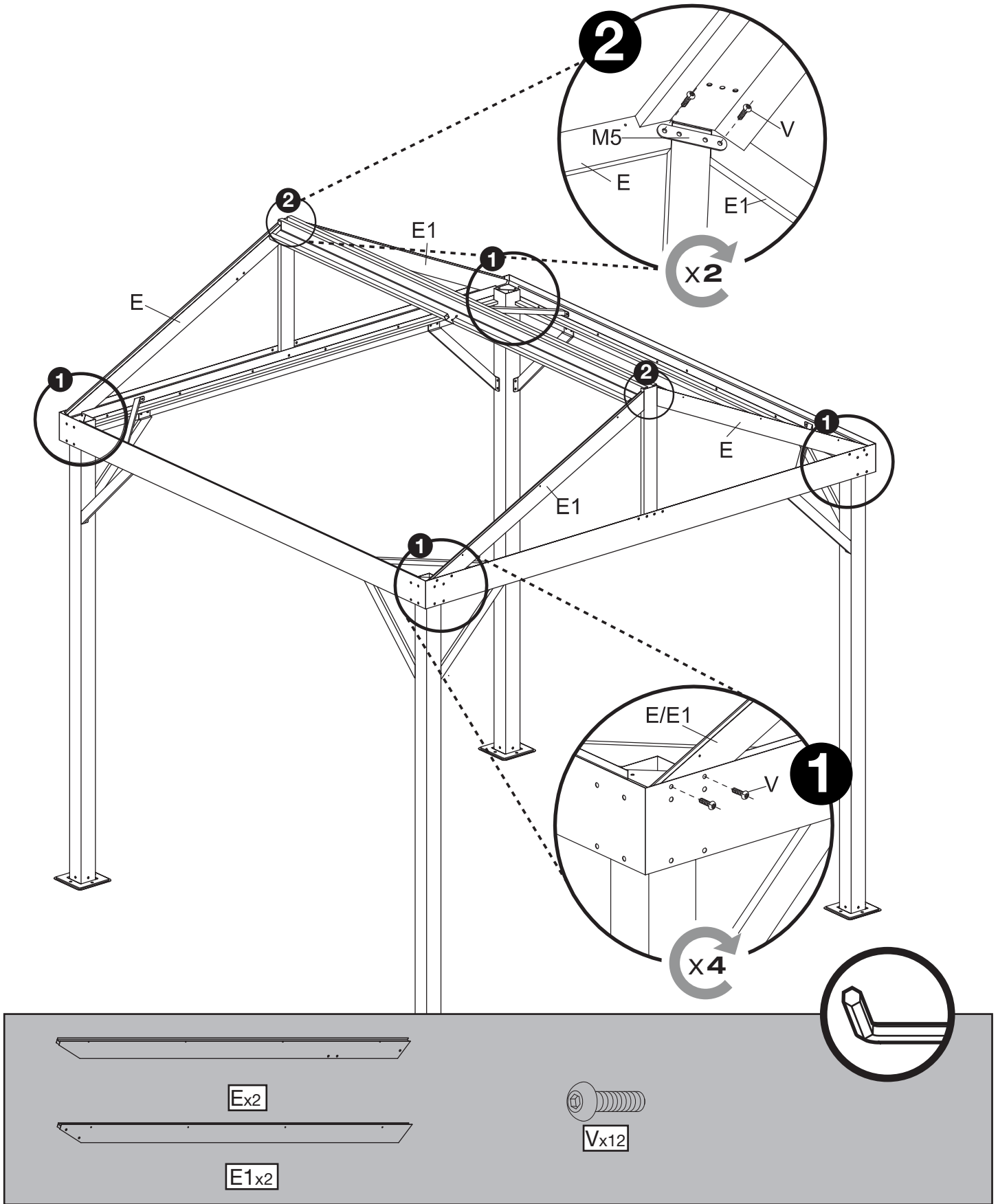


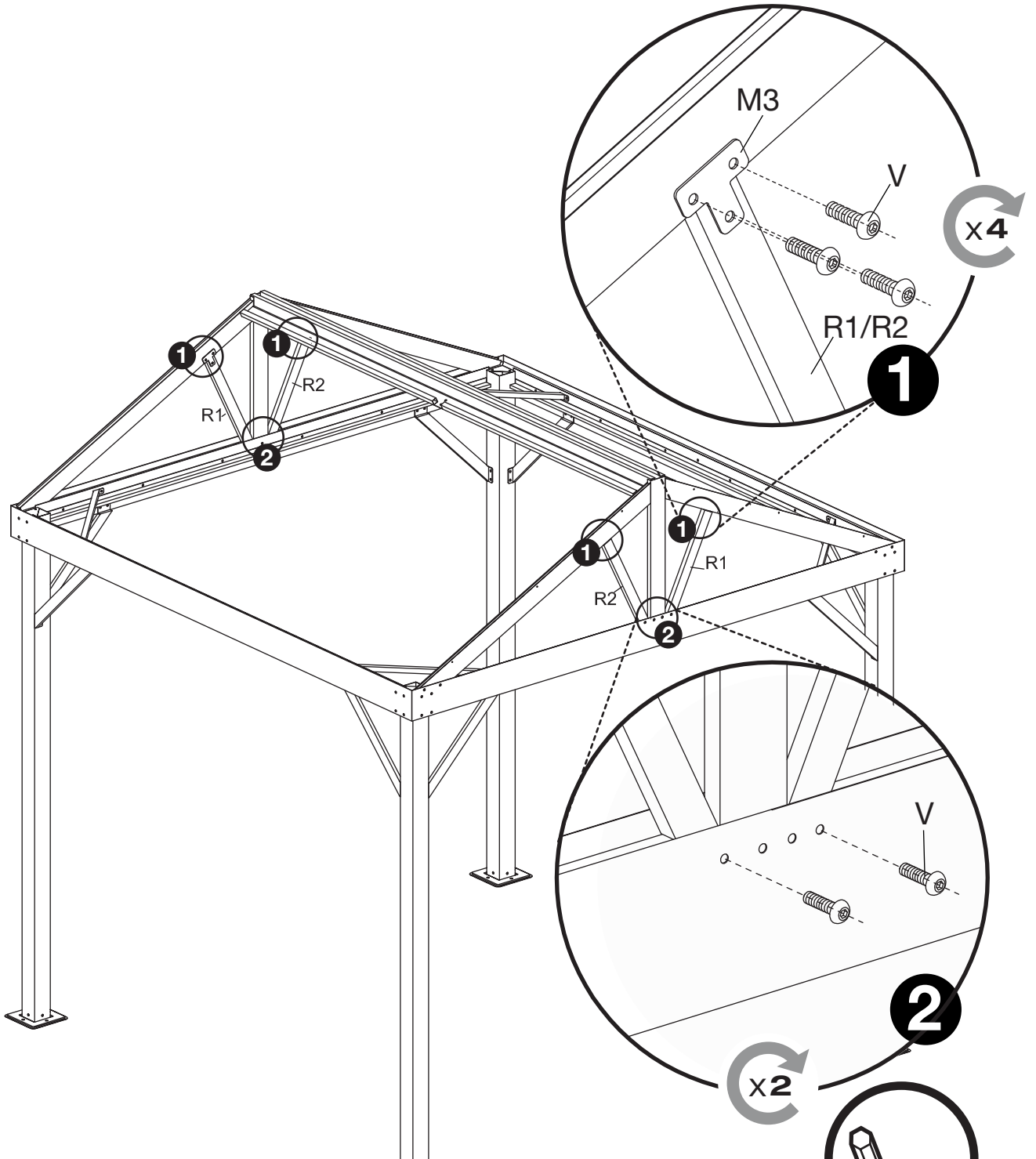






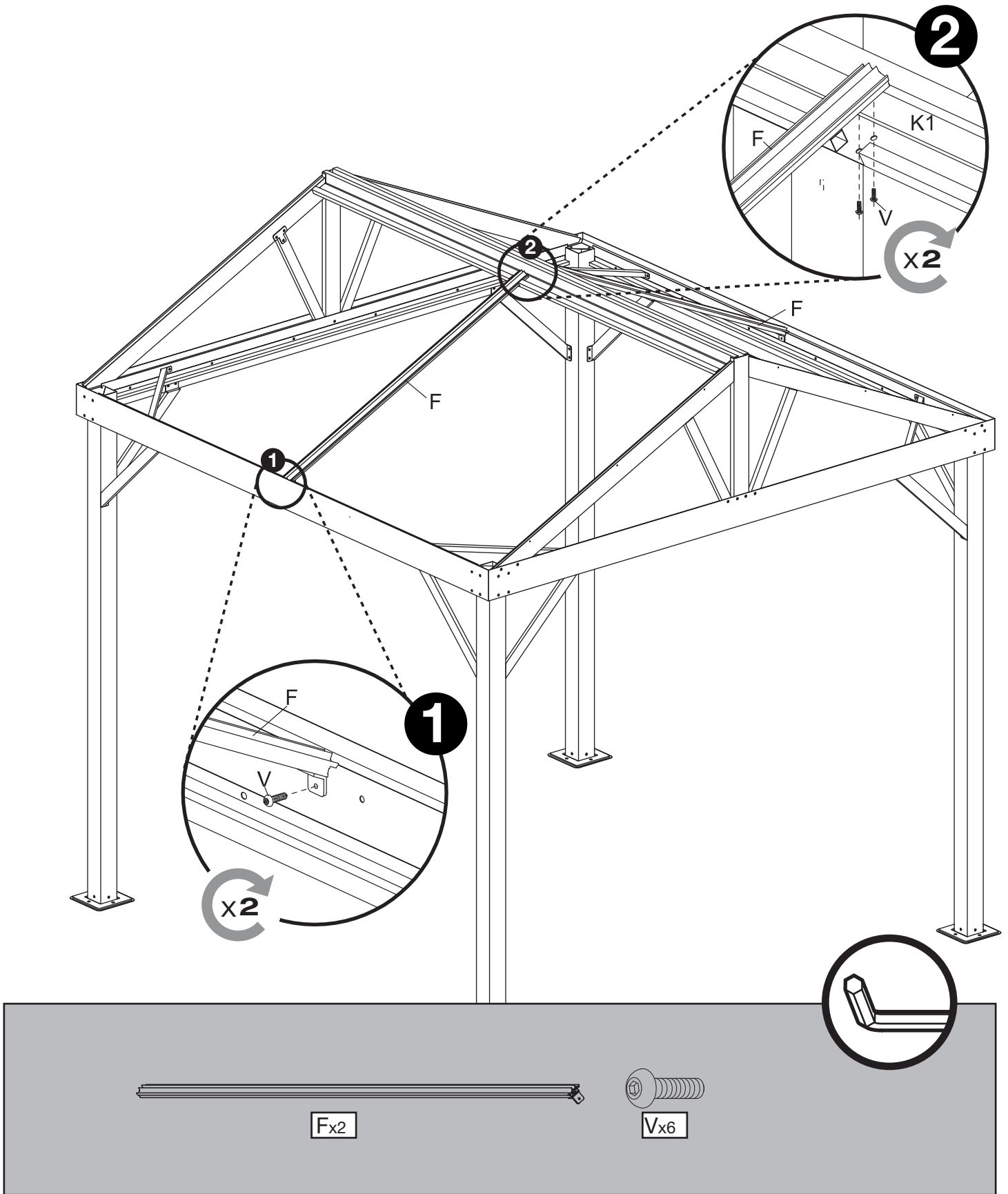
Vx4

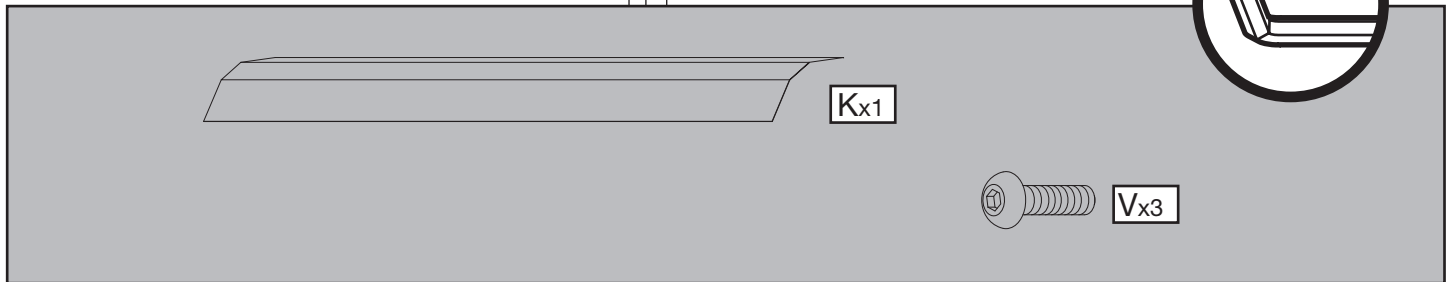
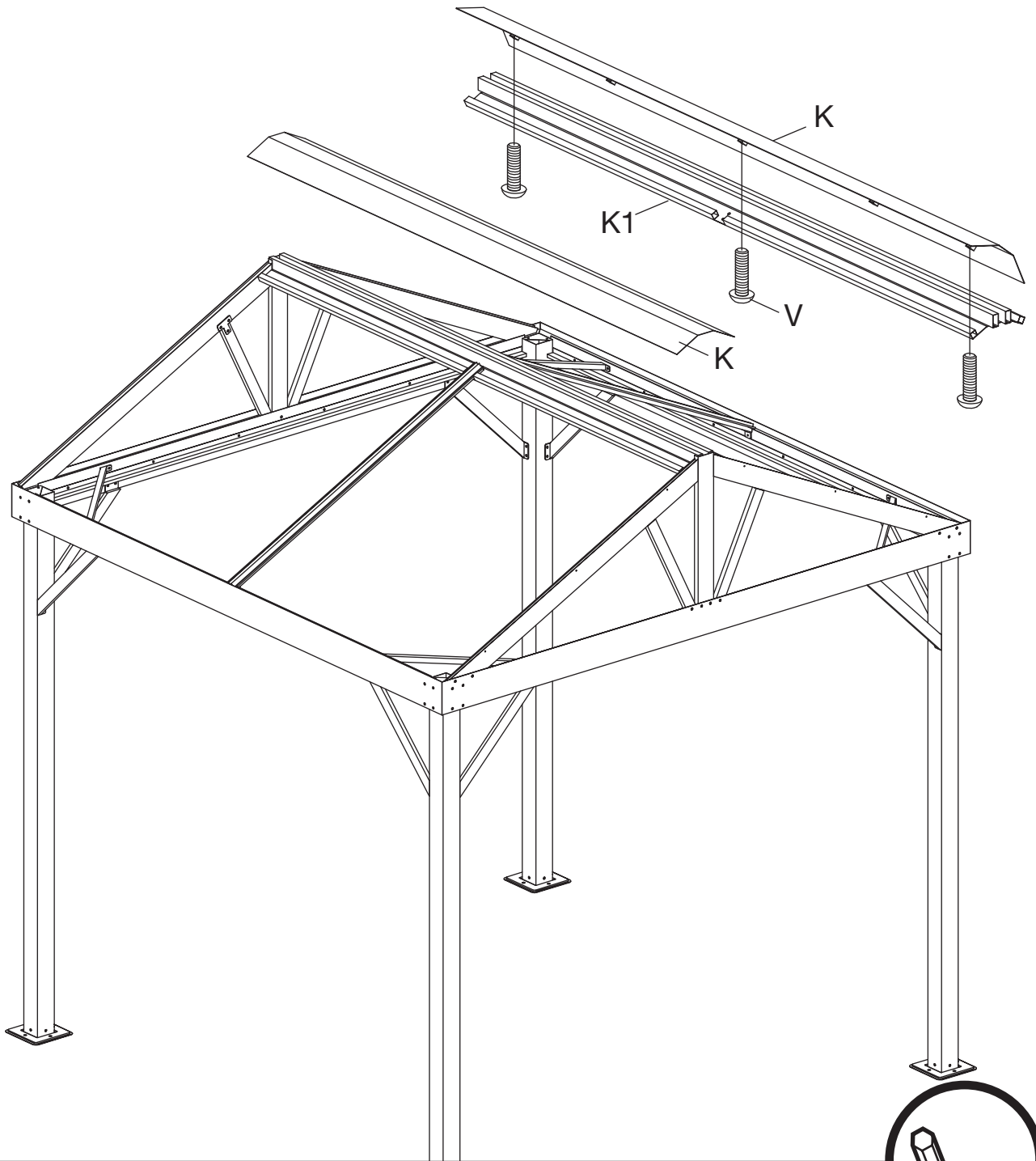


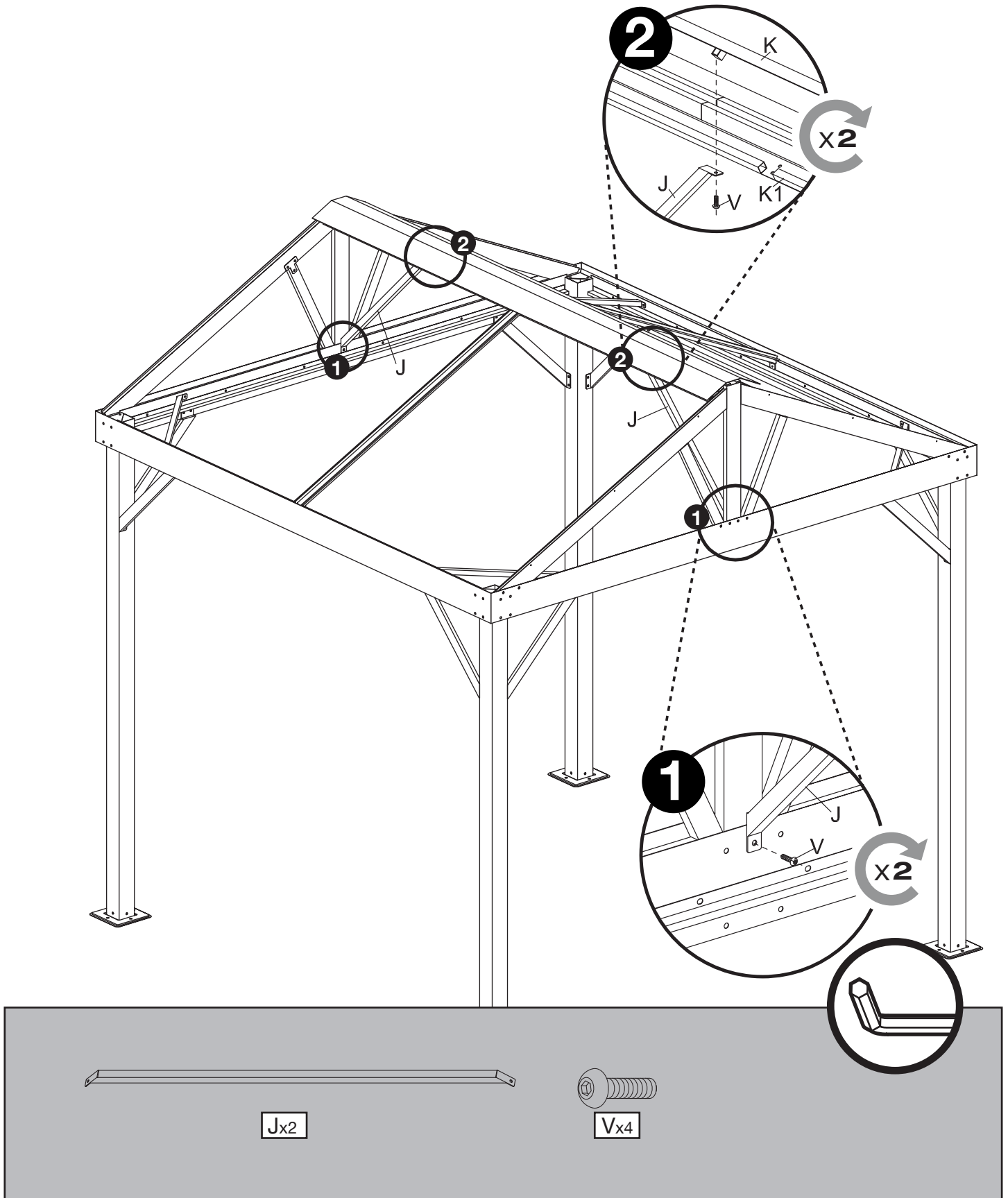


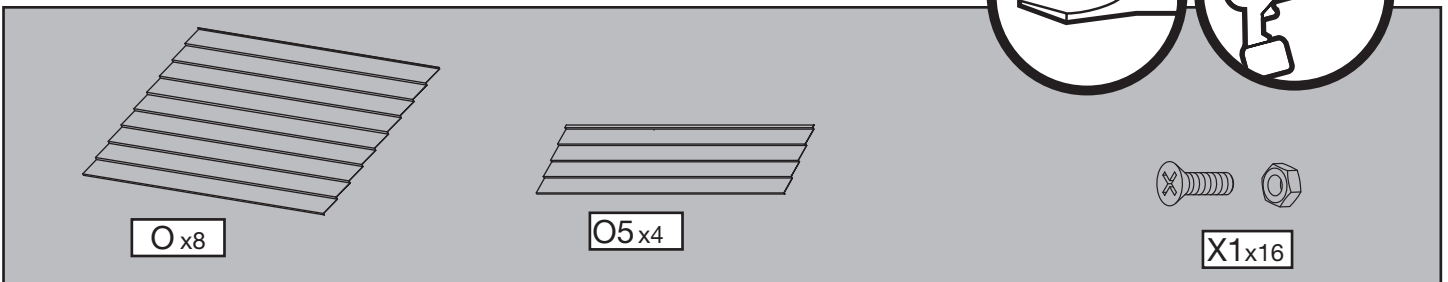
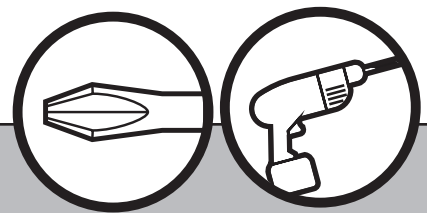
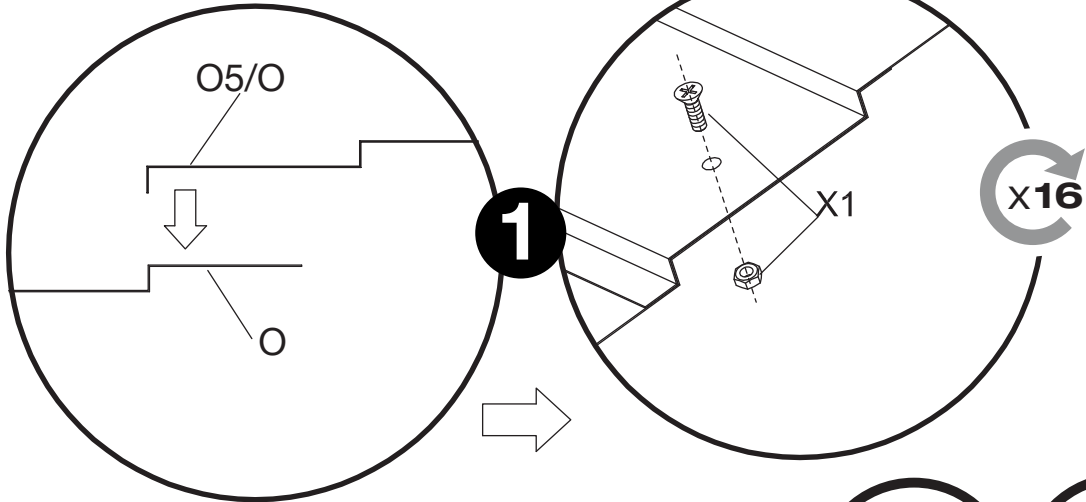
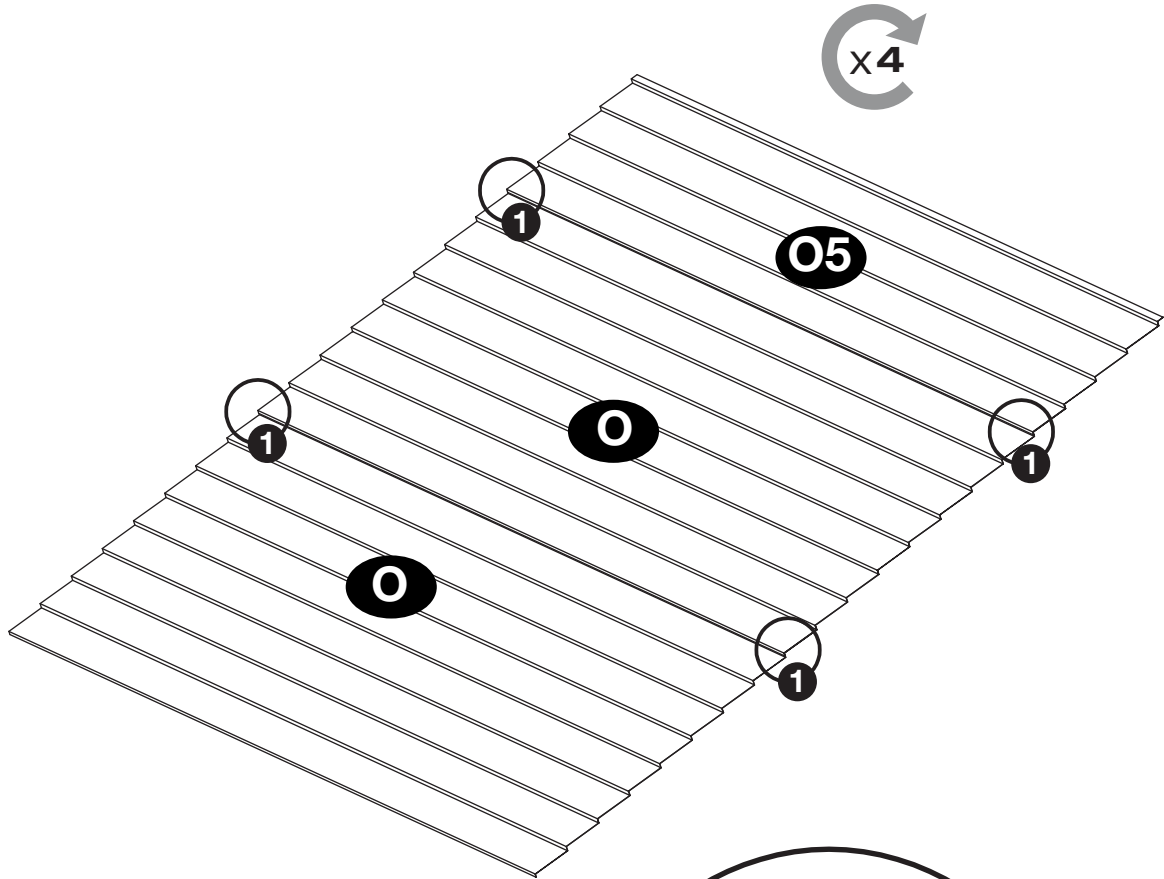
A parts list diagram located at the bottom of the page. It includes the following items:

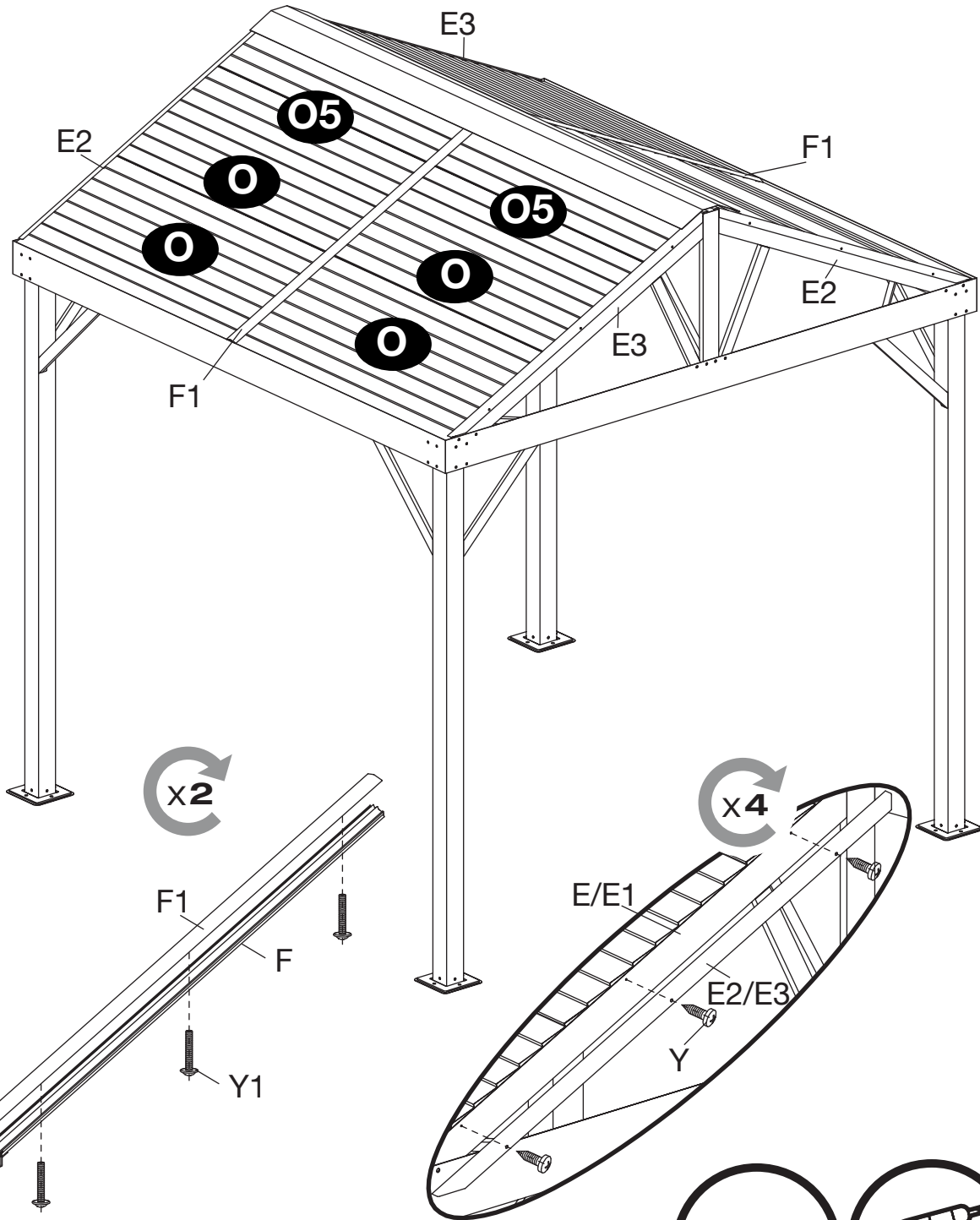
- Two long horizontal bars, one labeled **R1x2** and the other **R2x2**.
- A screw labeled **Vx16**.
- An L-shaped corner bracket labeled **M3x4**.
- A small circular inset showing a close-up of the corner bracket being attached to a beam.



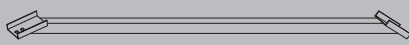
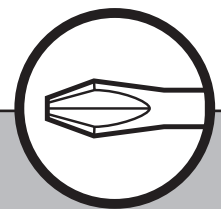
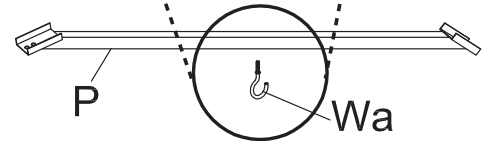
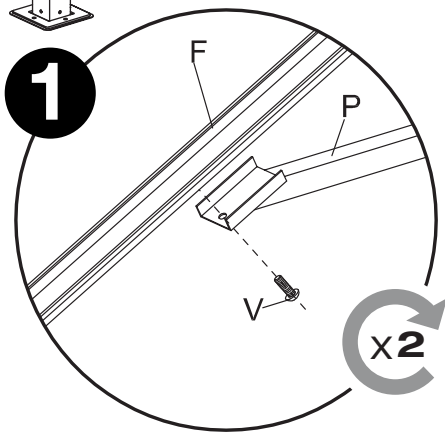
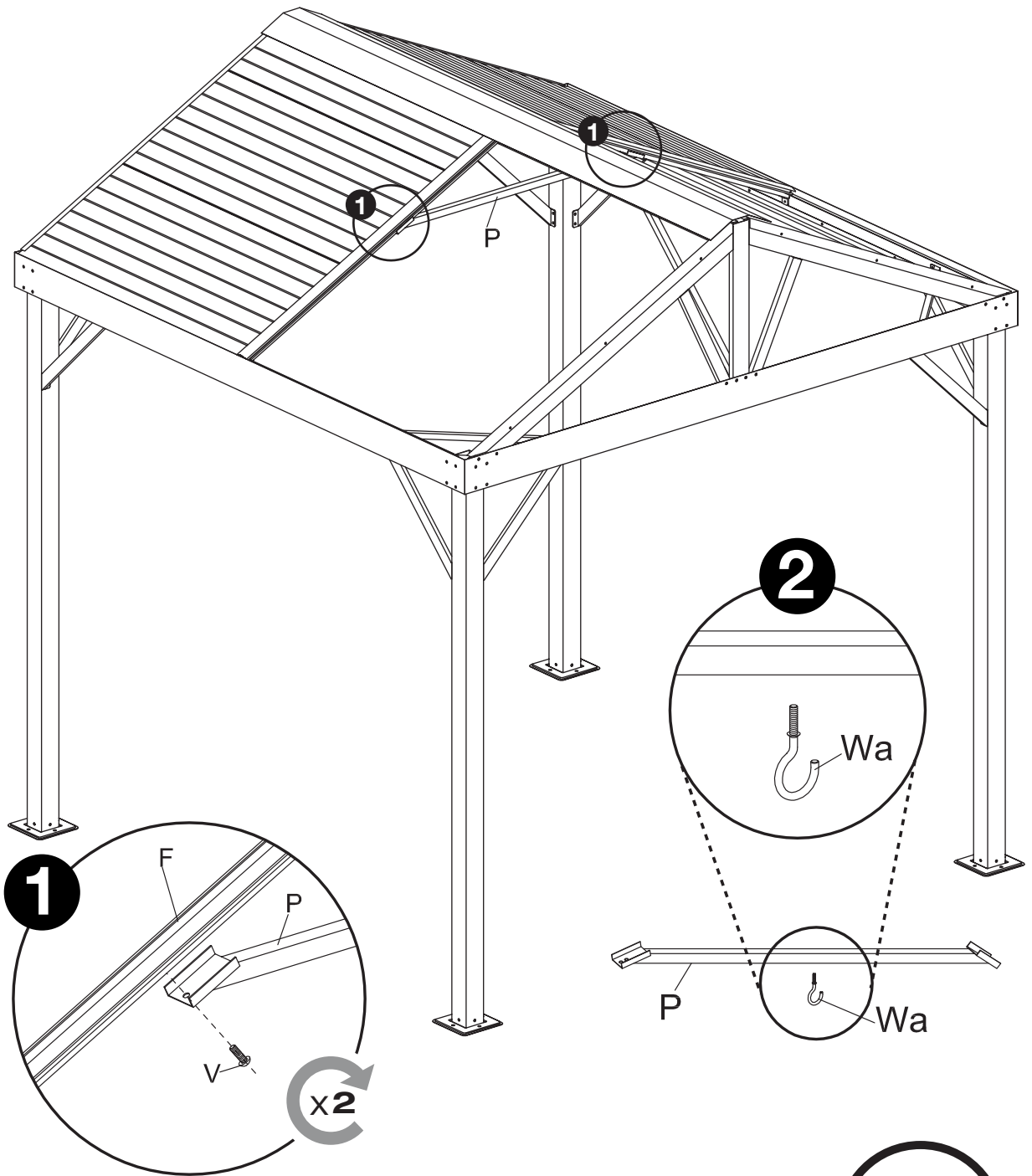








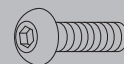
	E2x2		
	E3x2		
	F1x2		
			Yx12



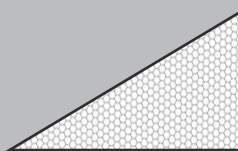
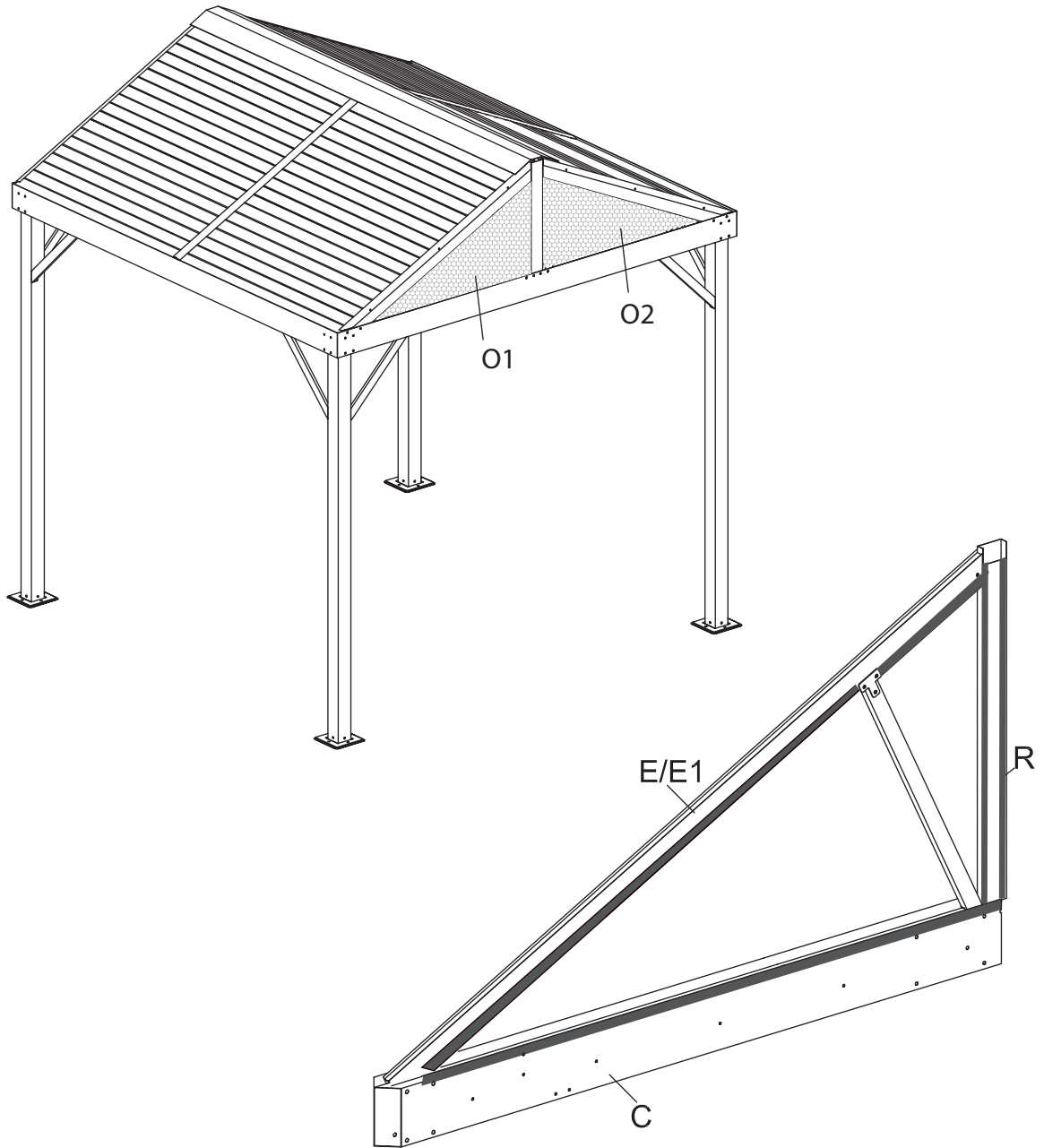
P x1



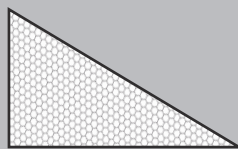
Wa x1



V x2



O1x2



O2x2

