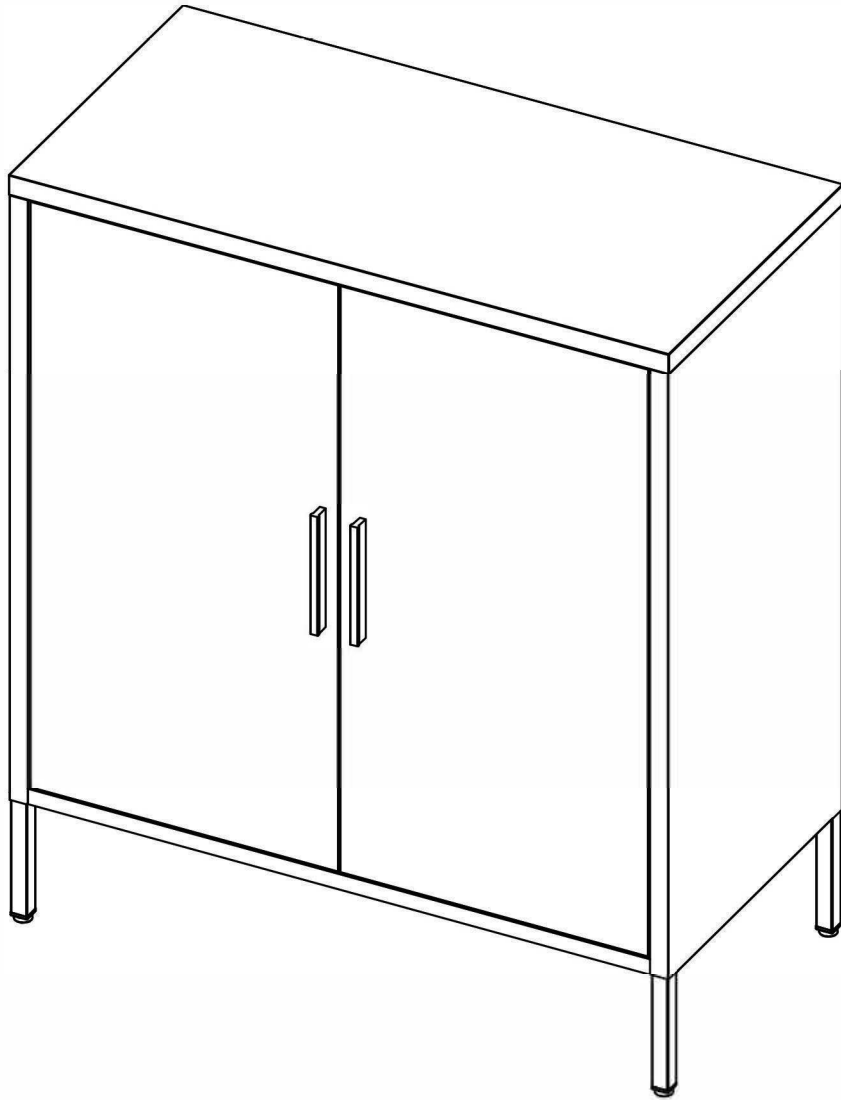
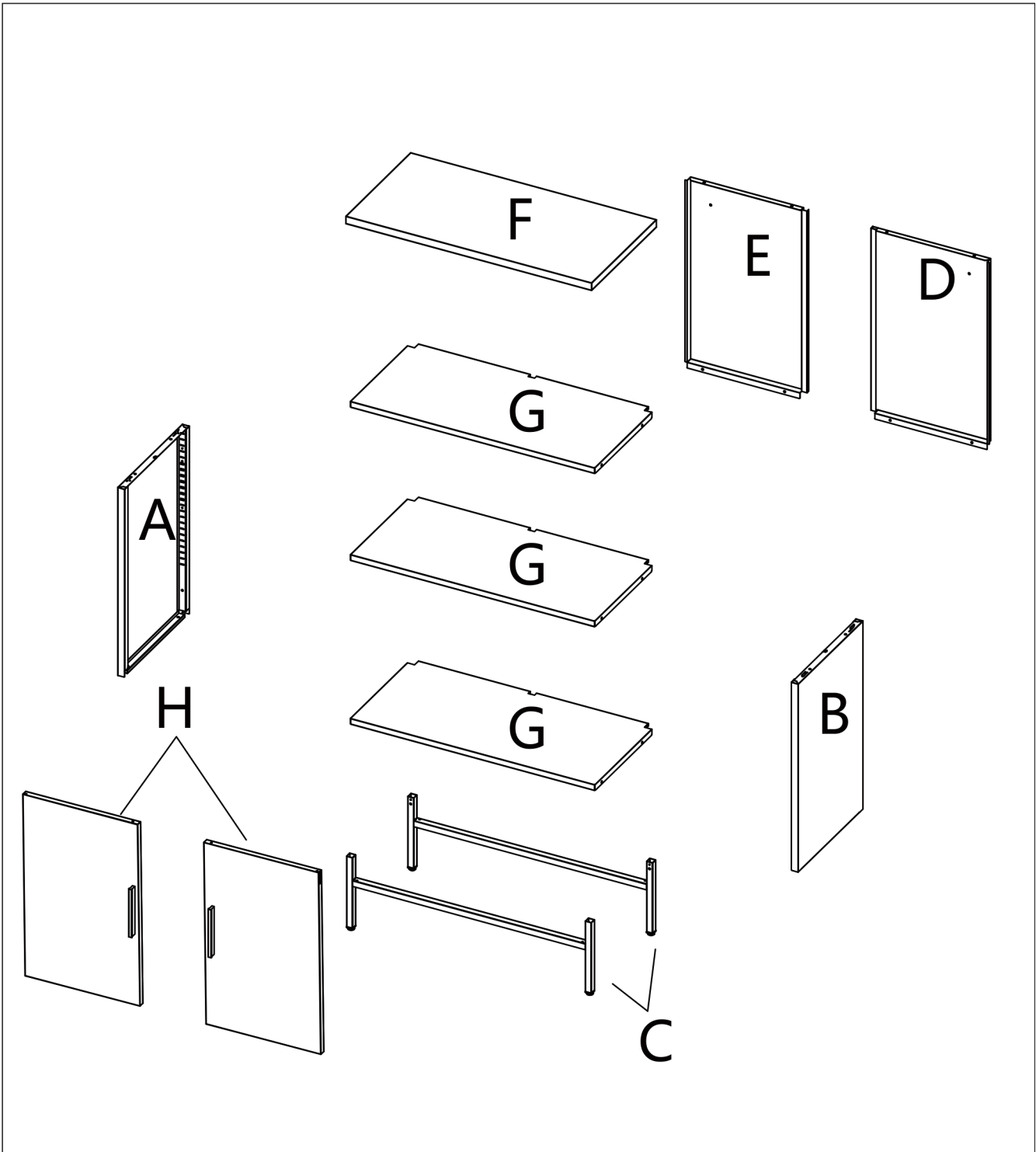


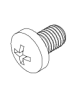
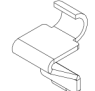
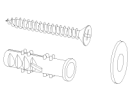
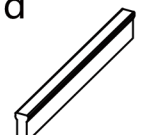
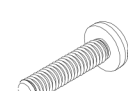
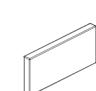
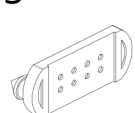


# Installation & Assembly



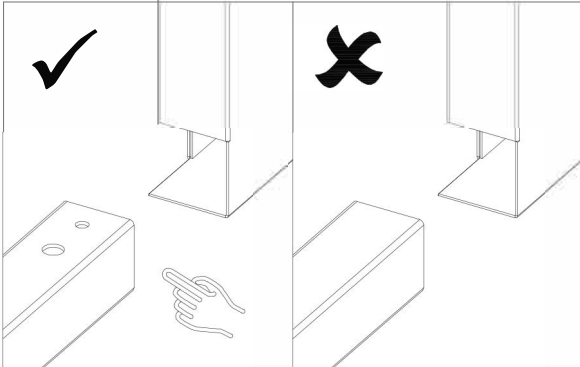
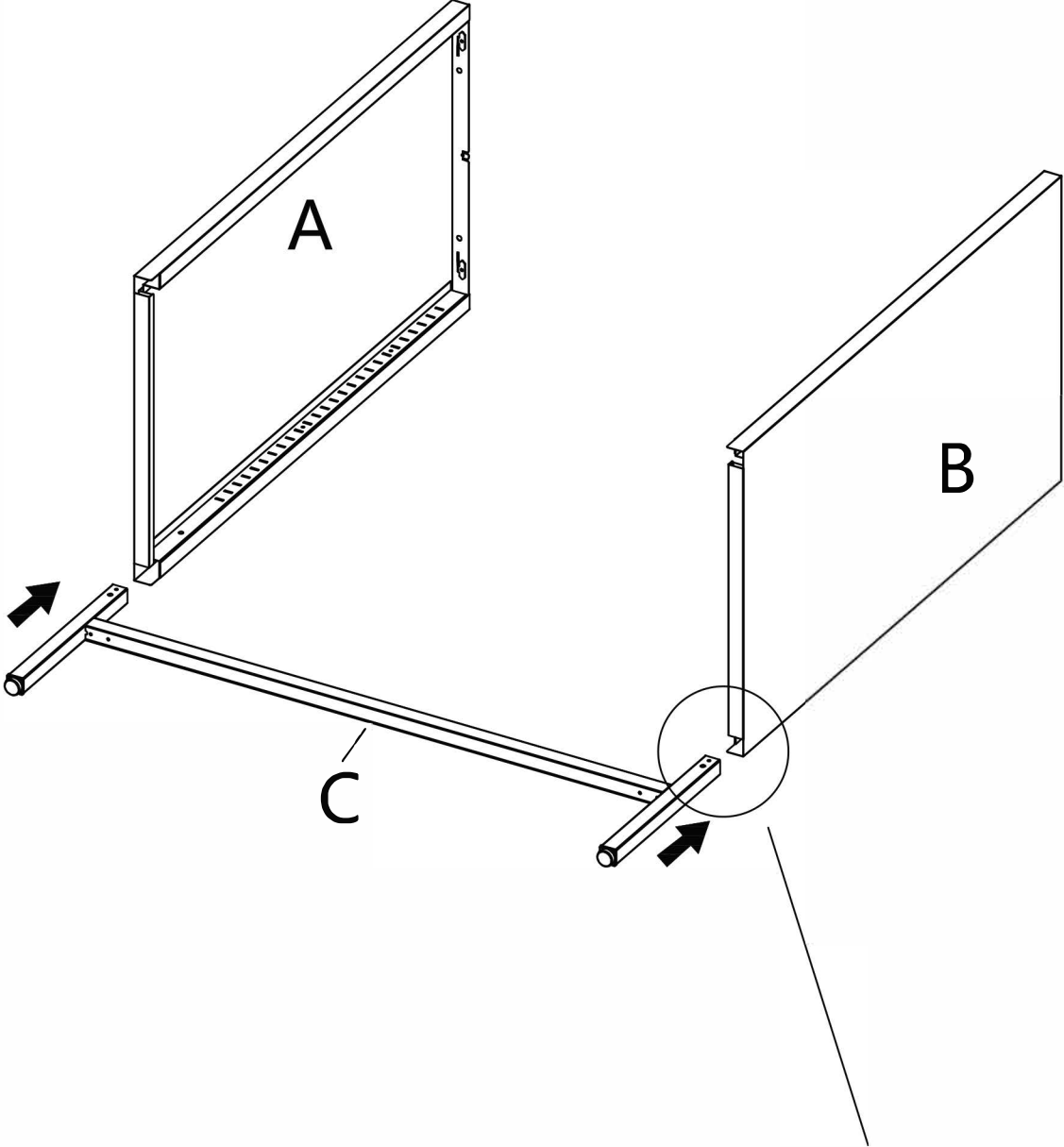
Storage File Cabinet

Storage File Cabinet

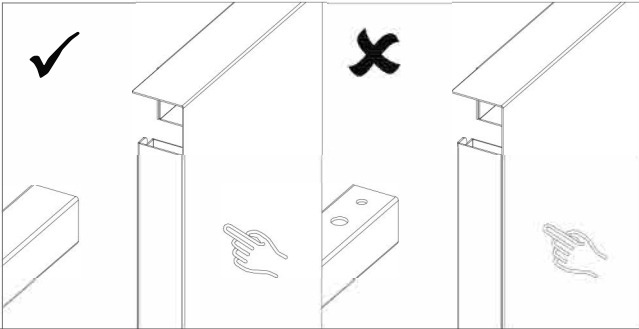
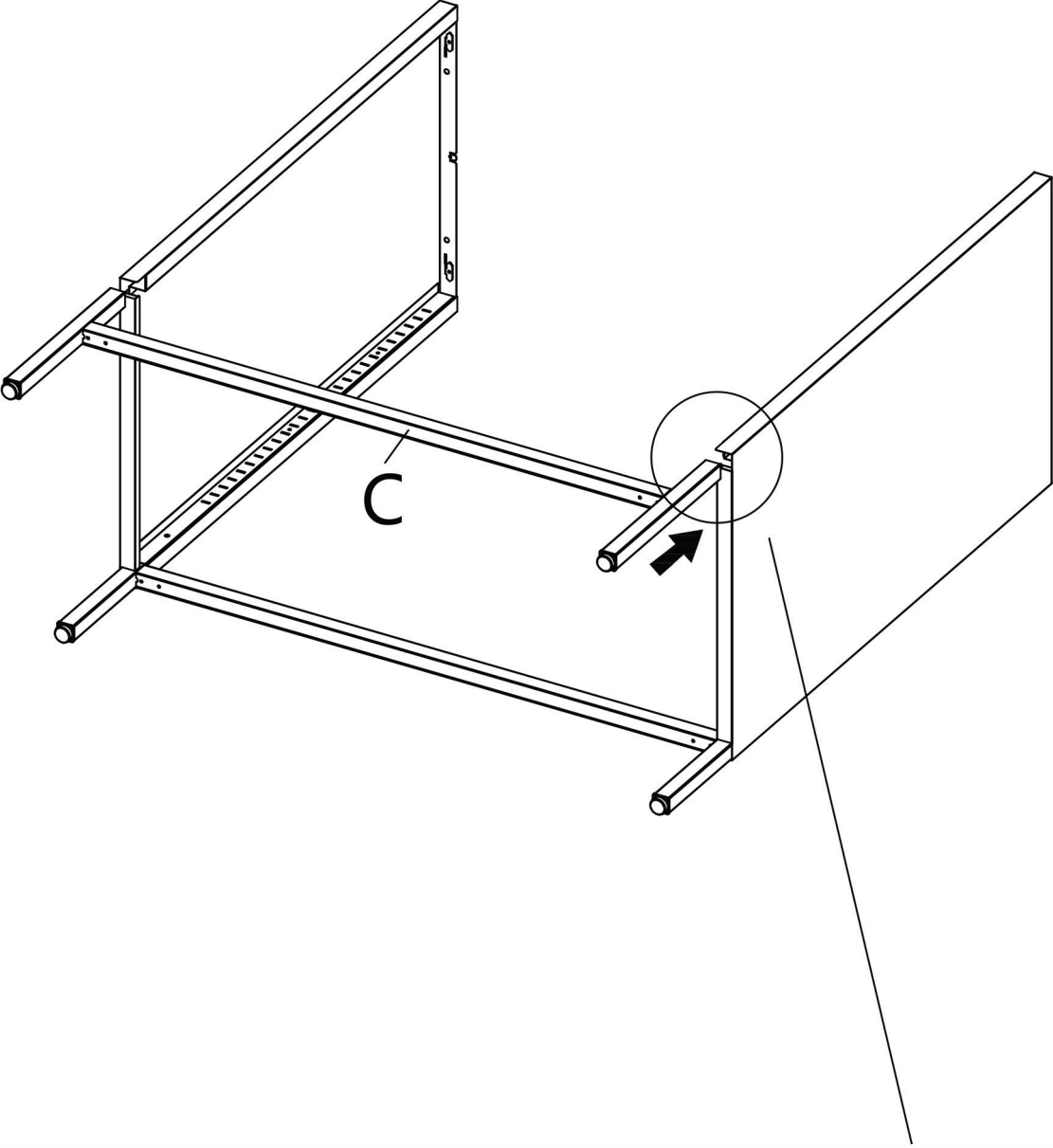


<p>a</p> 	<p>b</p> 	<p>c</p> 	<p>d</p> 	<p>e</p> 	<p>f</p> 	<p>g</p> 	<p>h</p> 
<p>i</p> 							

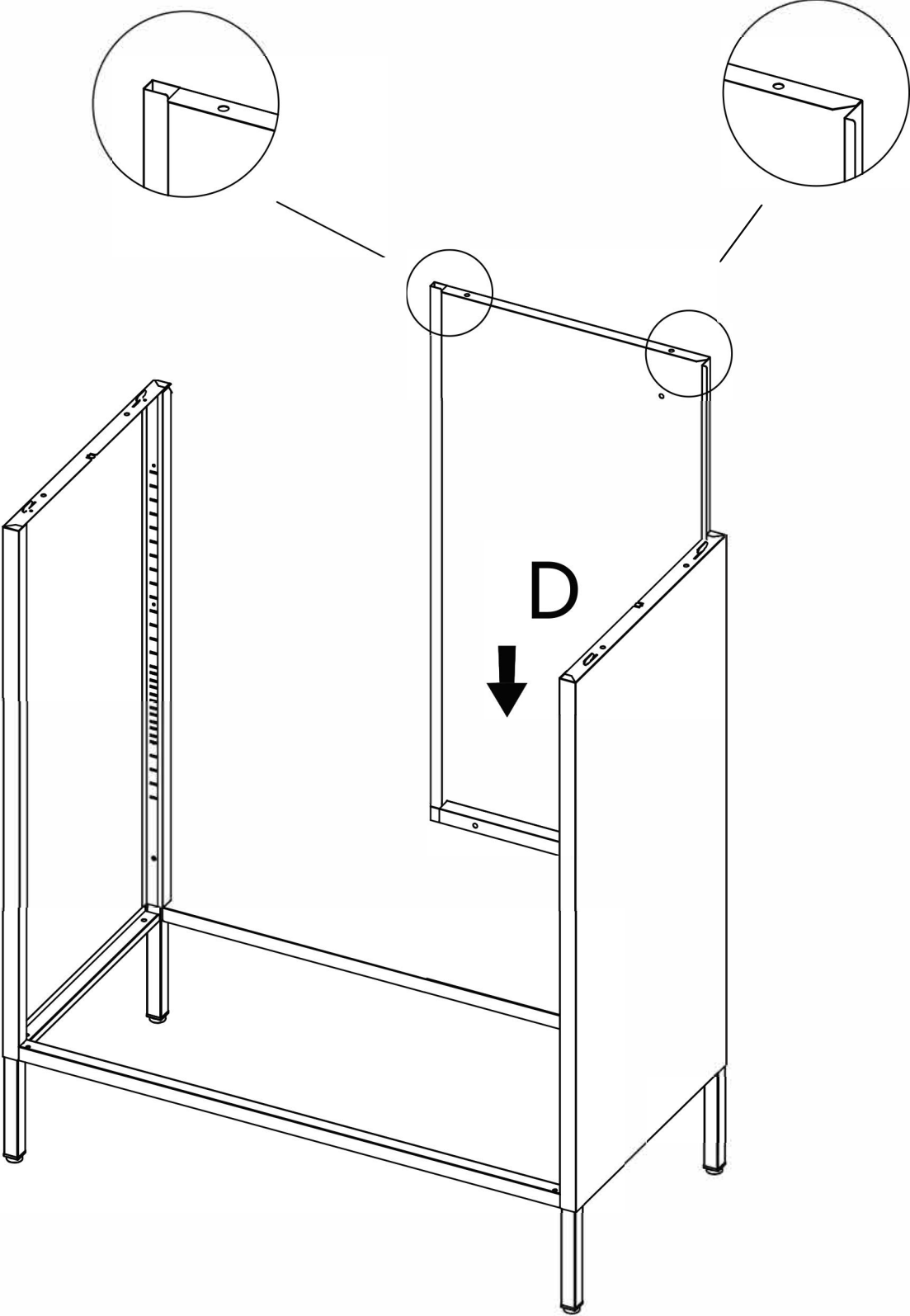
# Step 1



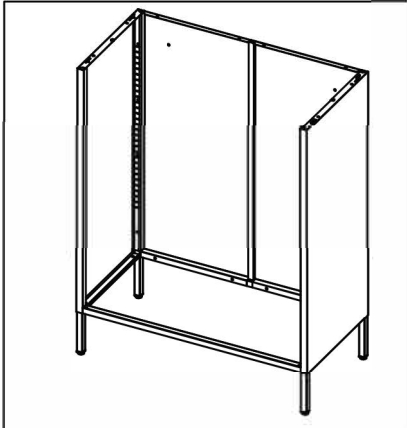
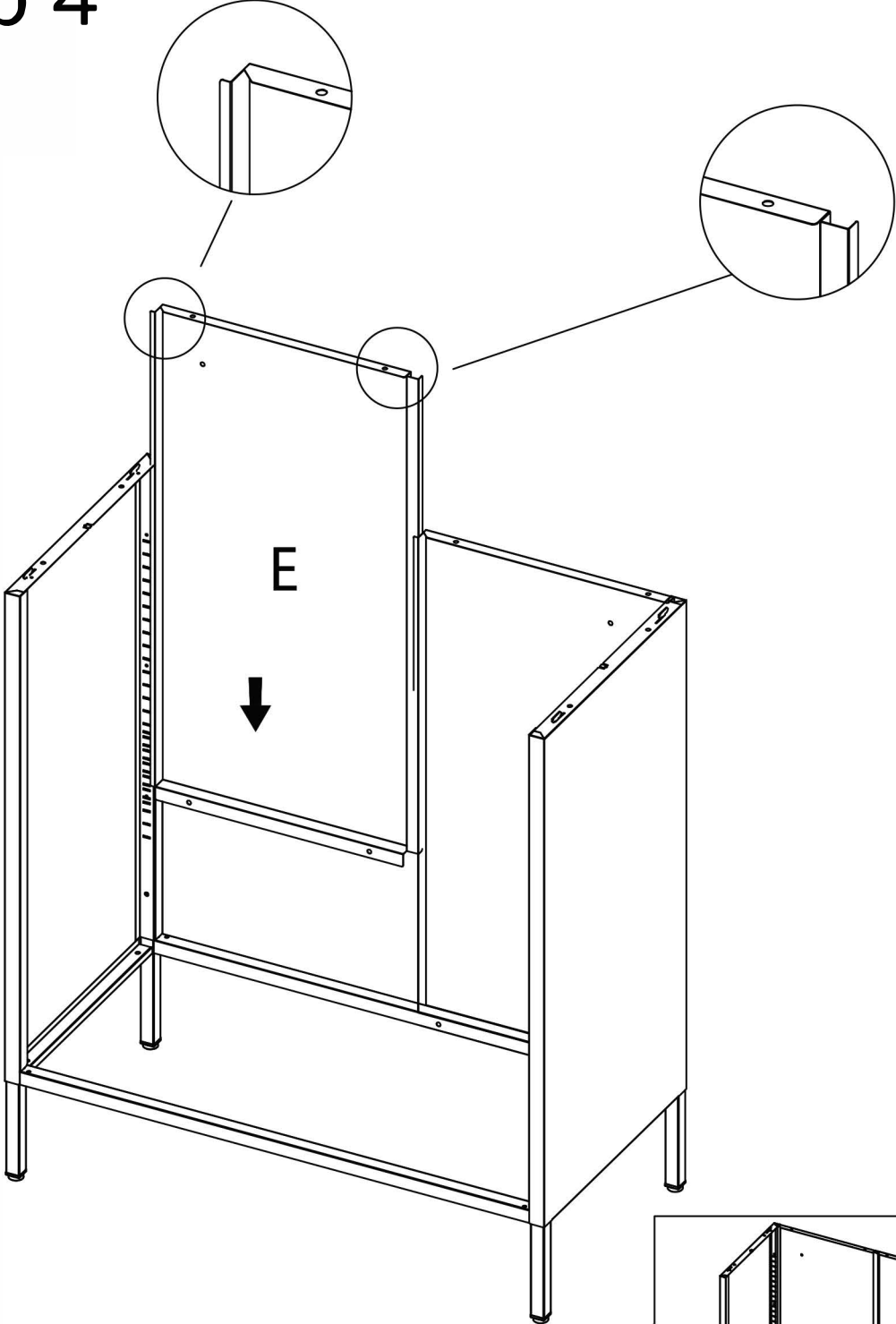
# Step 2



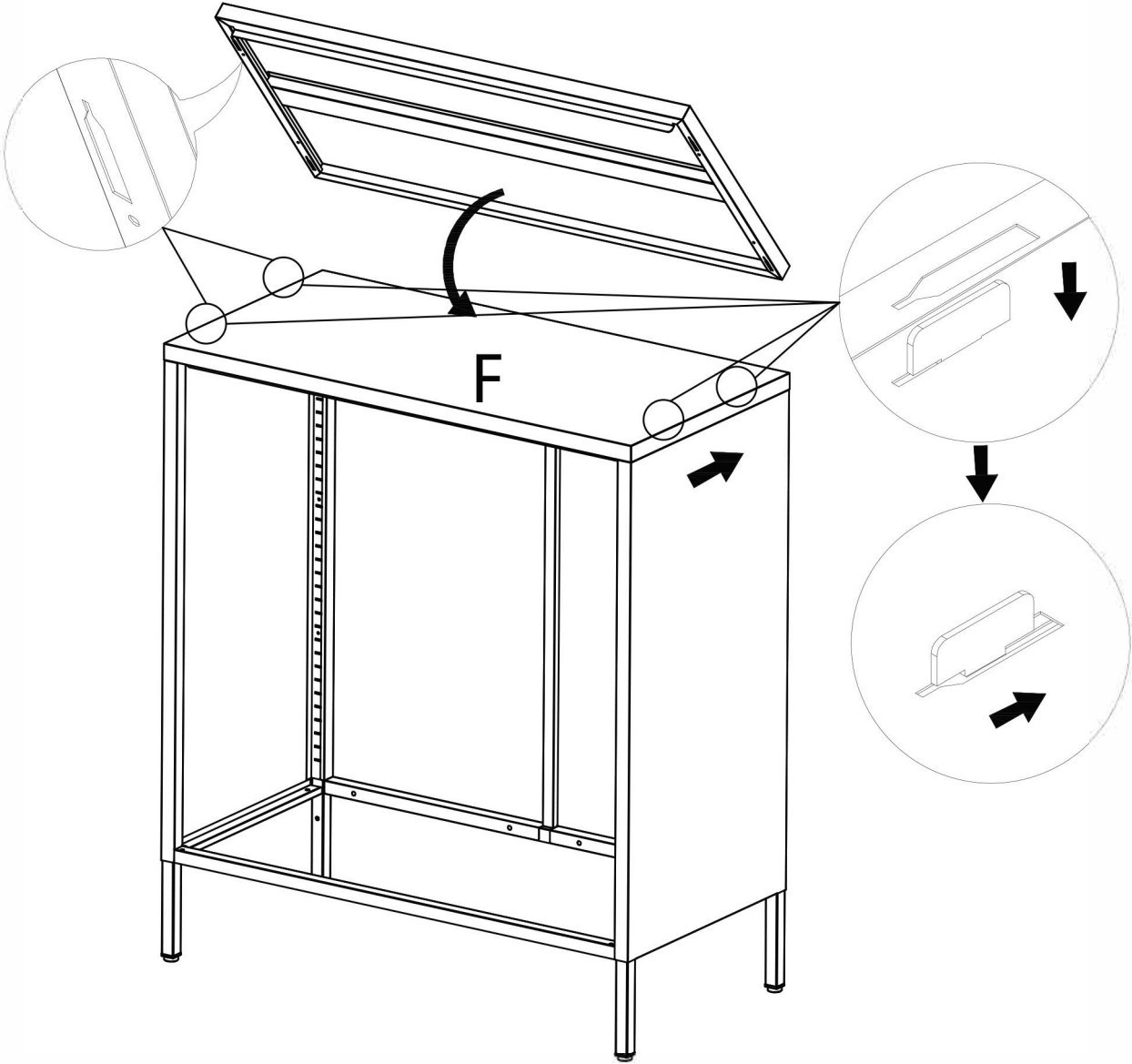
# Step 3



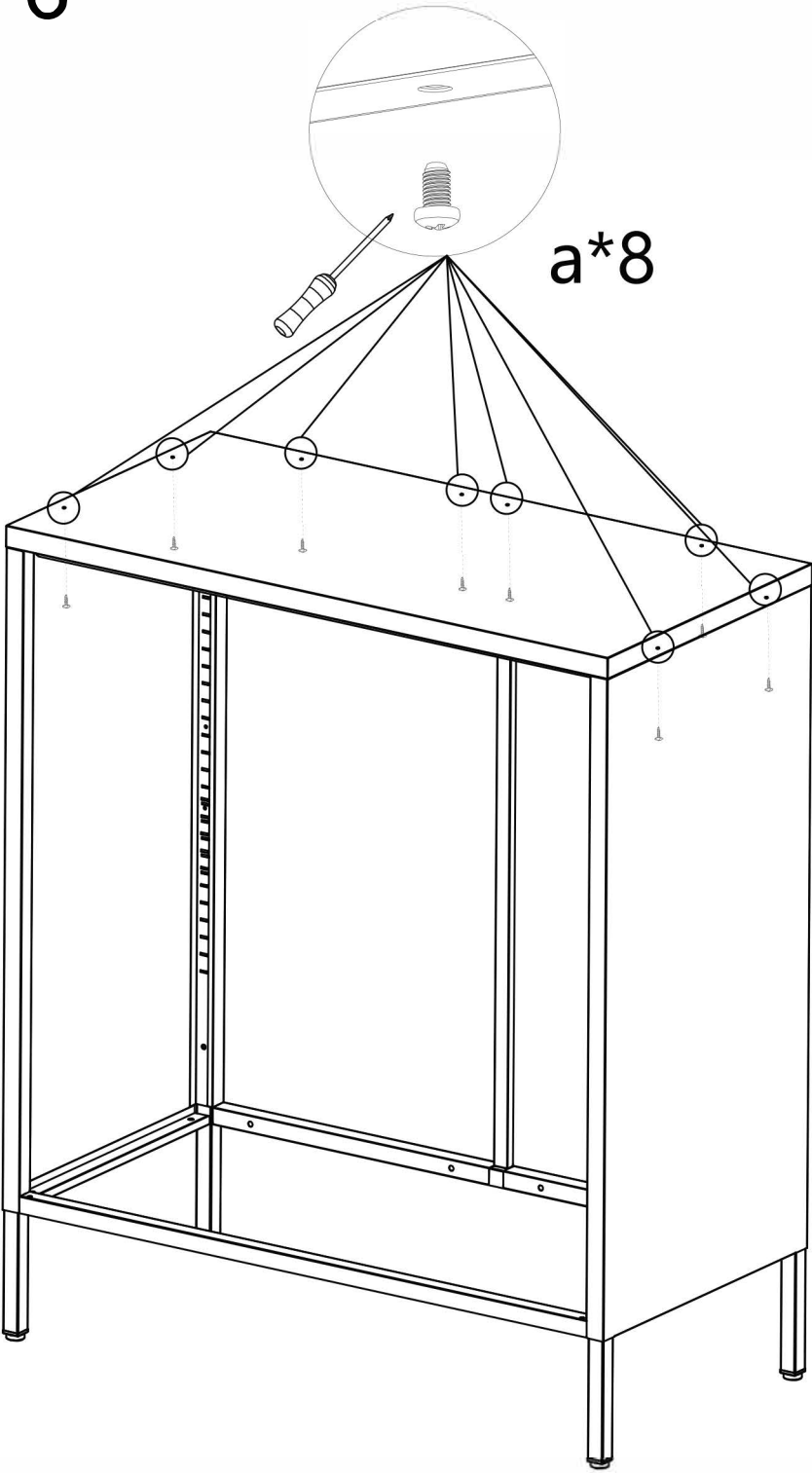
# Step 4



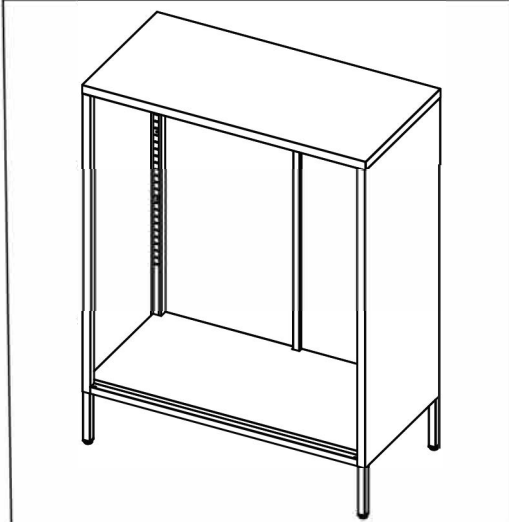
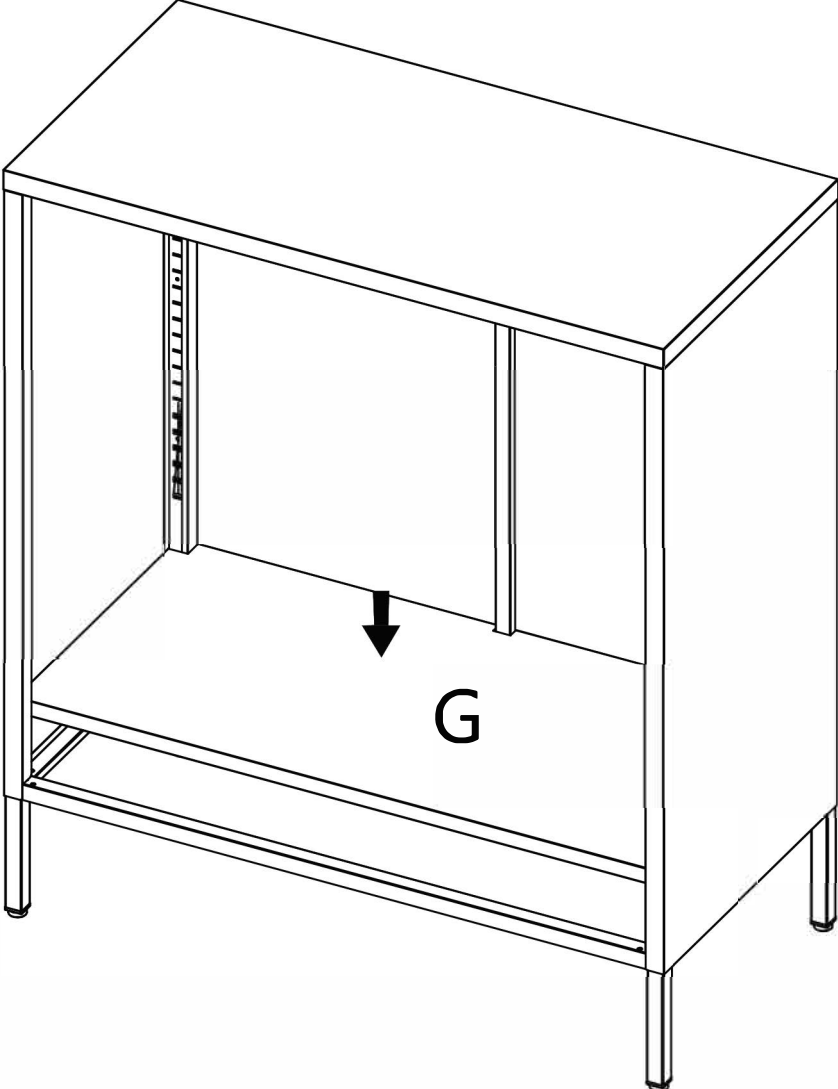
# Step 5



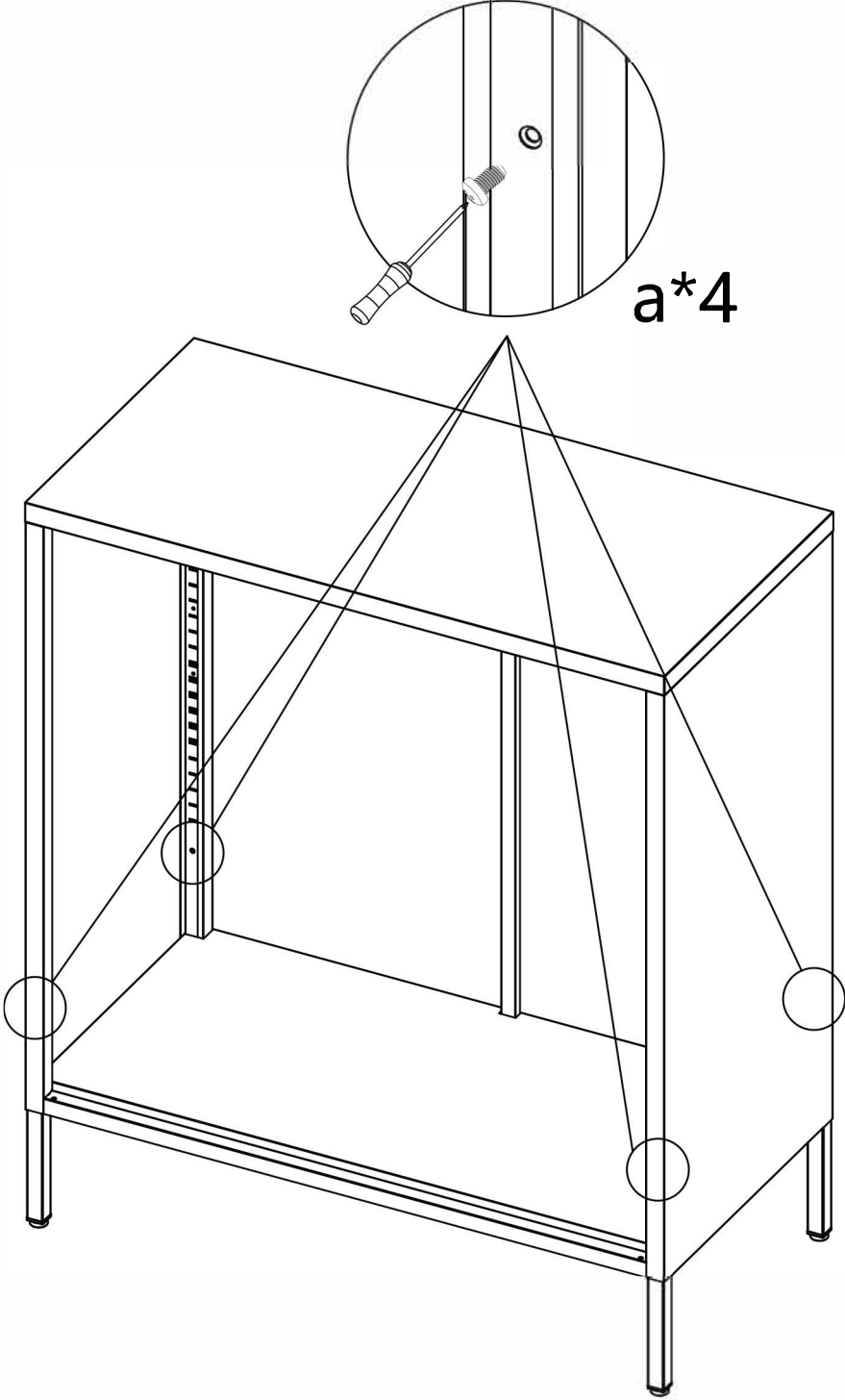
# Step 6



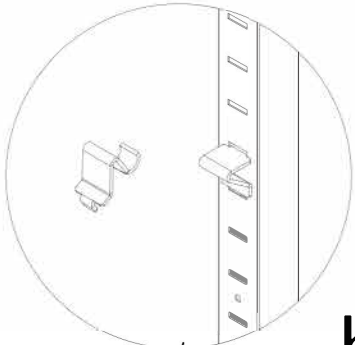
# Step 7



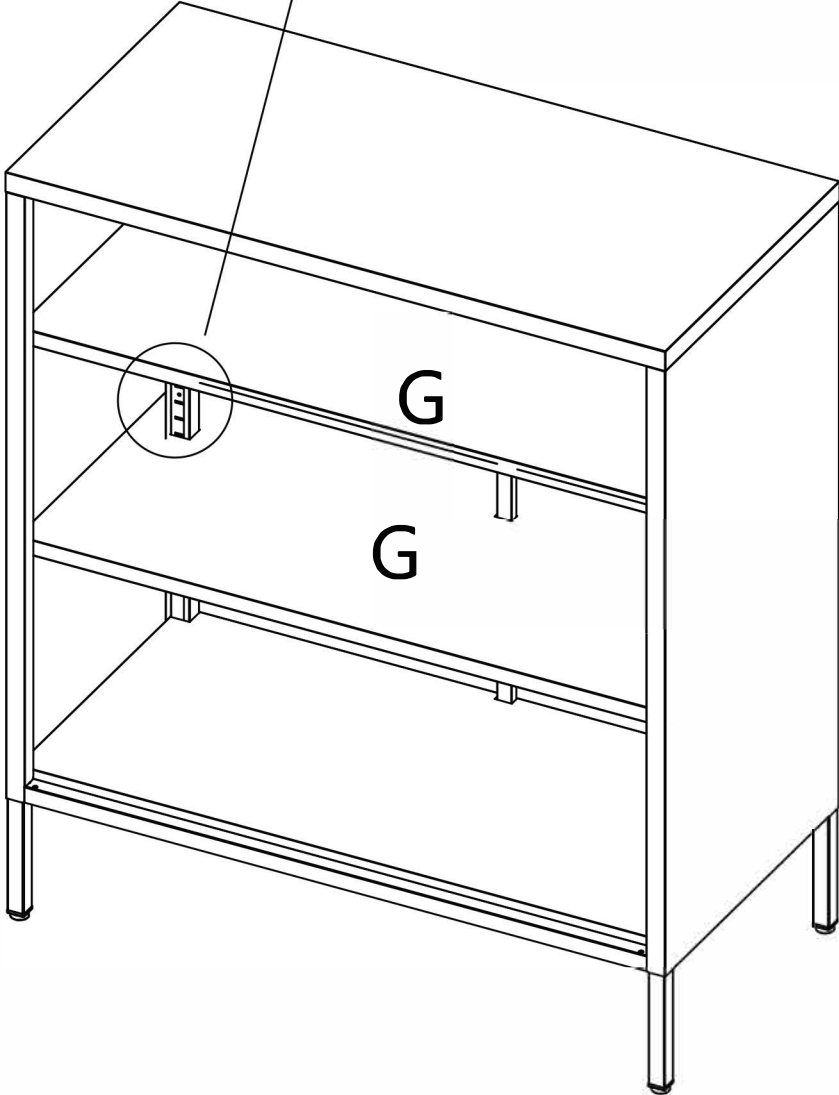
# Step 8



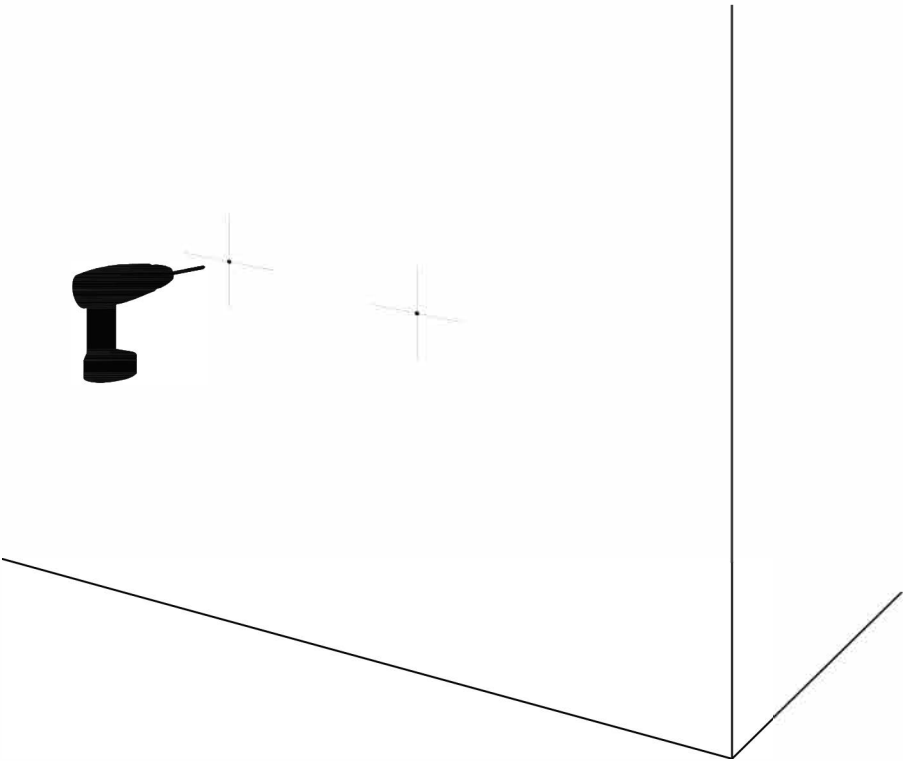
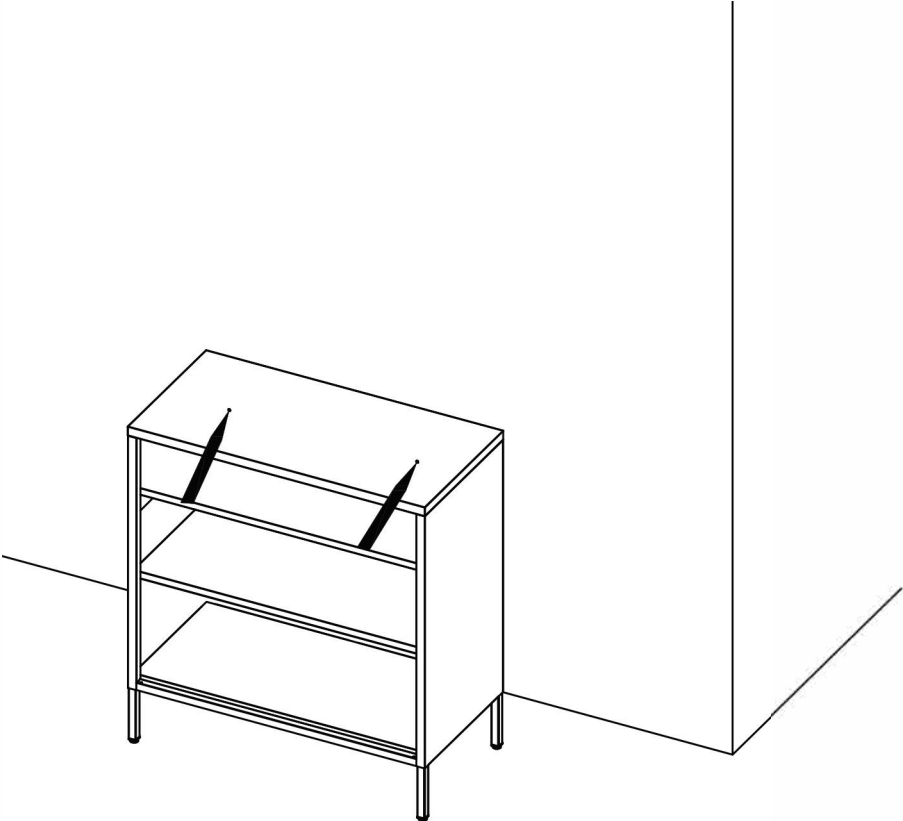
# Step 9



**b\*4**

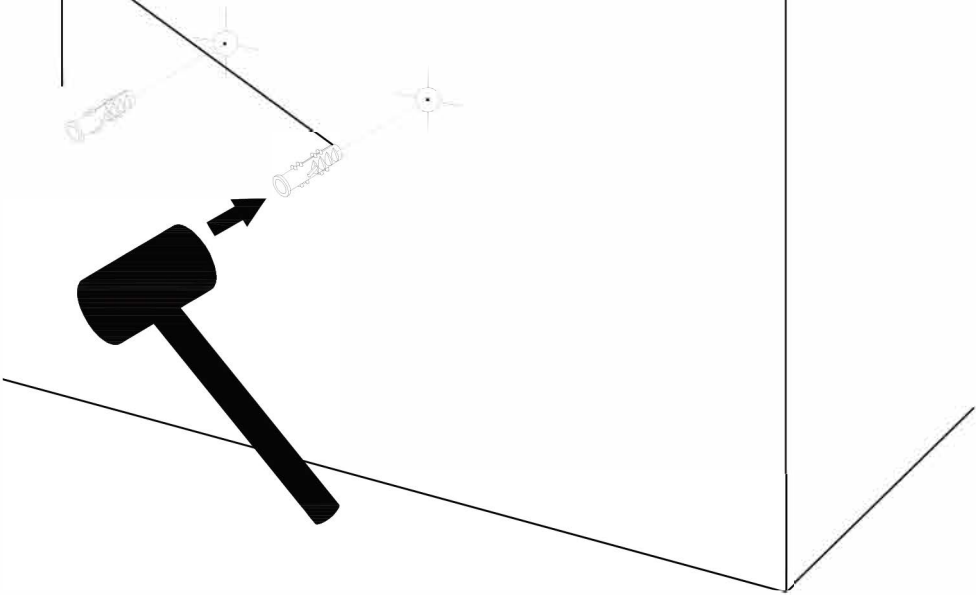


# Step 10

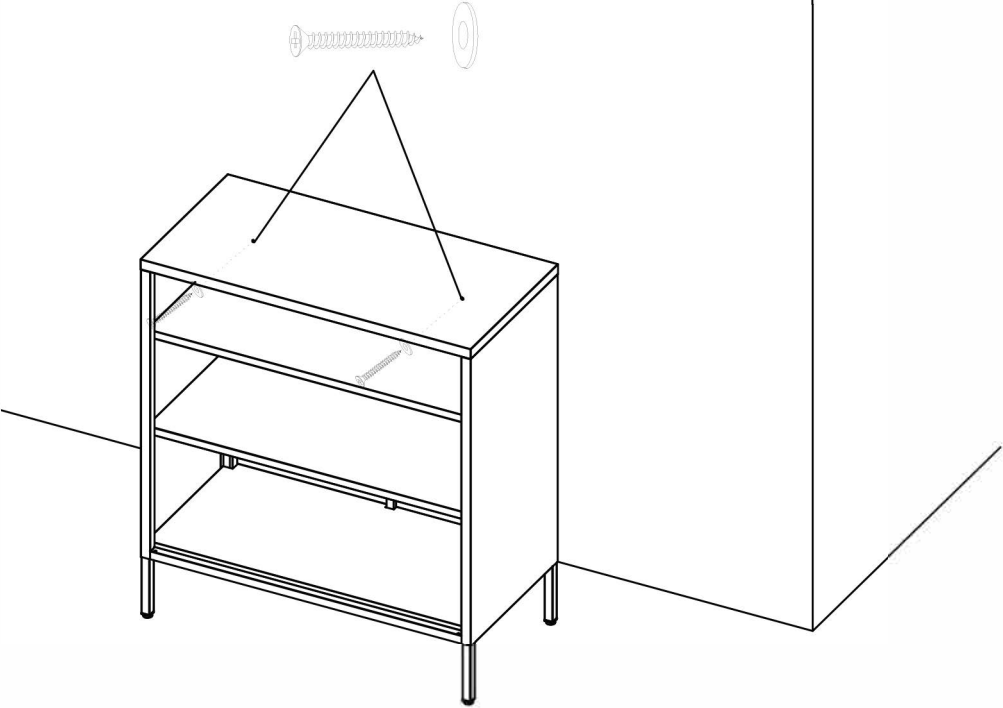


# Step 11

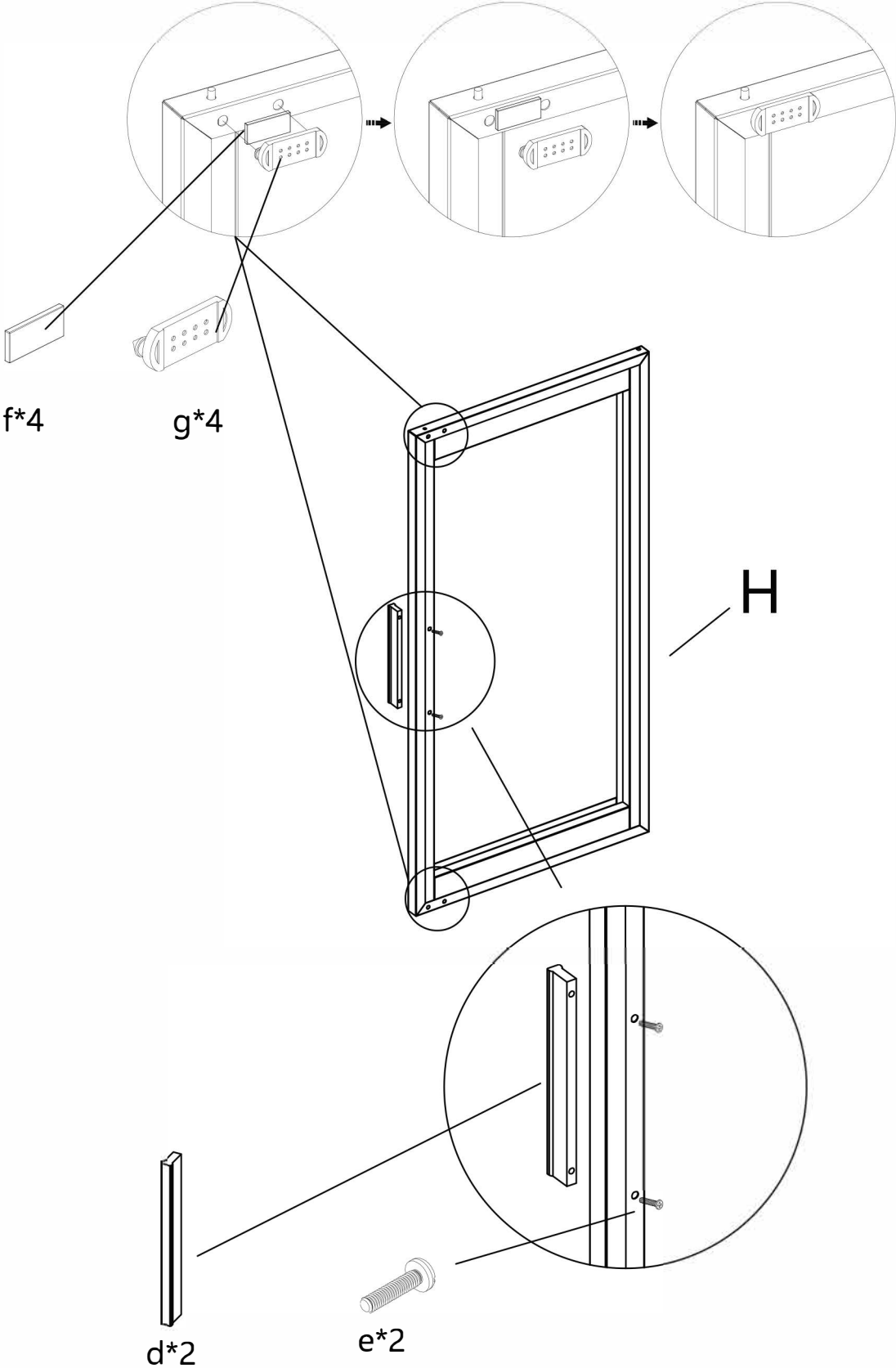
c\*2



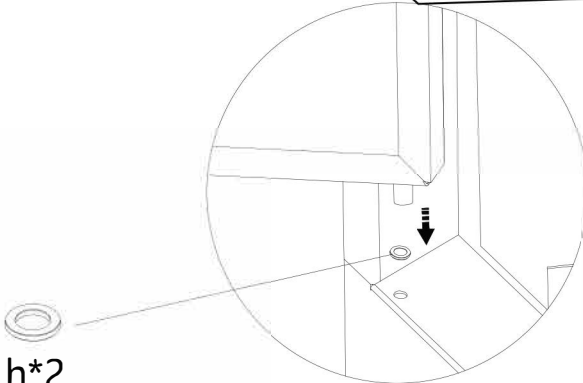
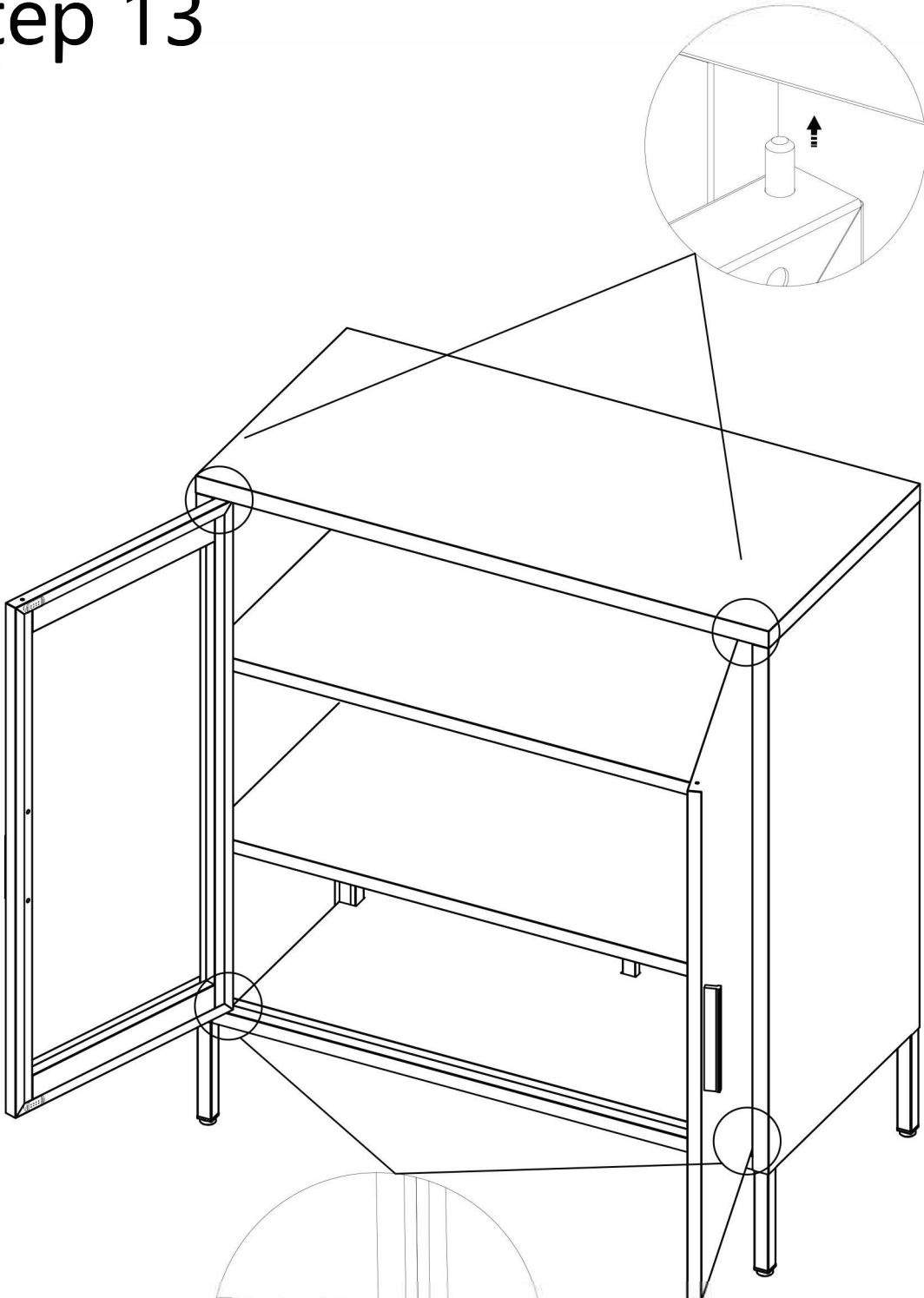
c\*2



# Step 12



# Step 13



 h\*2

