

ASSEMBLY INSTRUCTIONS

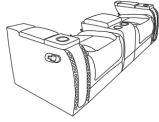



BRECKENRIDGE II COLLECTION

ITEM#: L3183A-25

DESCRIPTION : BRECKENRIDGE II CONSOLE
LOVESEAT W/ DUAL RECLINERS

Thank you for purchasing this quality product. Be sure to check all packing materials carefully for small parts, which may have come loose during shipment. Identify and count all items and compare with the parts list shown below. It is recommended to have two people during assembling and to remove the back and base of the furniture out from the box.

Please follow the drawings below to assemble the item

PARTS LIST			
NO.	DESCRIPTION	SKETCH	QTY
A	Seat		1PC
B	Left Side Facing (LSF) Backrest		1PC
C	Console backrest		1PC
D	Right Side Facing (RSF) Backrest		1PC

All images shown are for illustration purpose only.
Actual product may vary due to product enhancement.

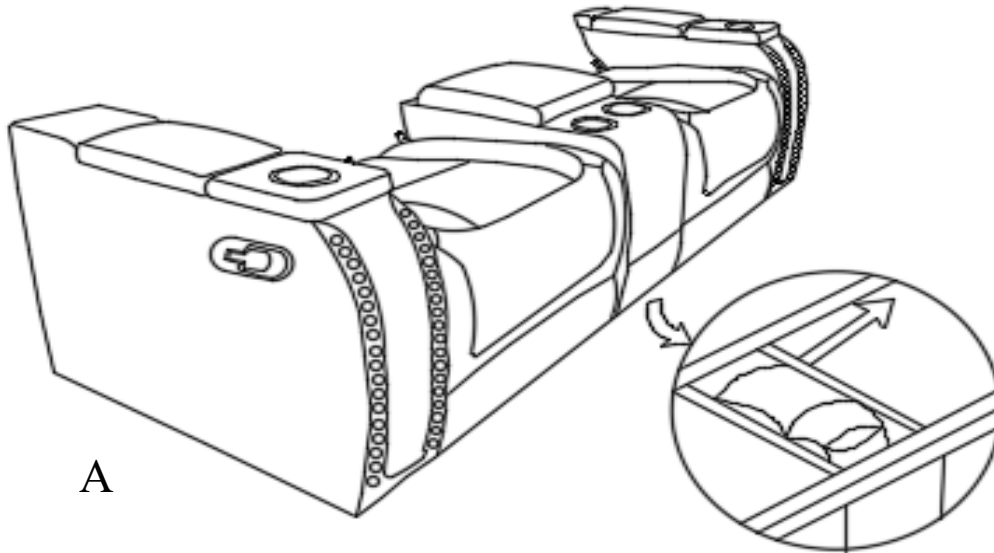
ASSEMBLY INSTRUCTIONS

BRECKENRIDGE II COLLECTION

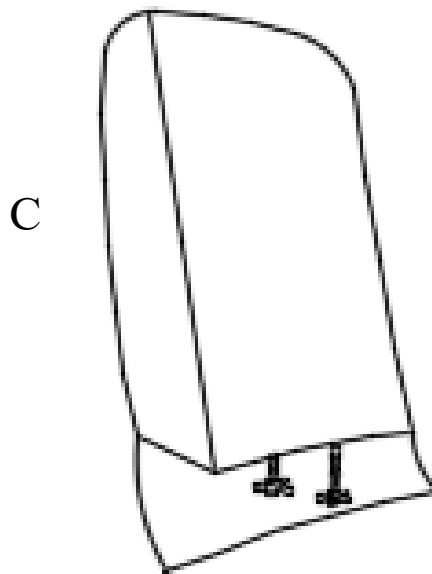
ITEM#: L3183A-25

DESCRIPTION : BRECKENRIDGE II CONSOLE
LOVESEAT W/ DUAL RECLINERS

Step 1:
Locate the console backrest (C) at the bottom of seat(A).



Step 2:
Unscrew the knob screws from the console backrest (C).



All images shown are for illustration purpose only.
Actual product may vary due to product enhancement.

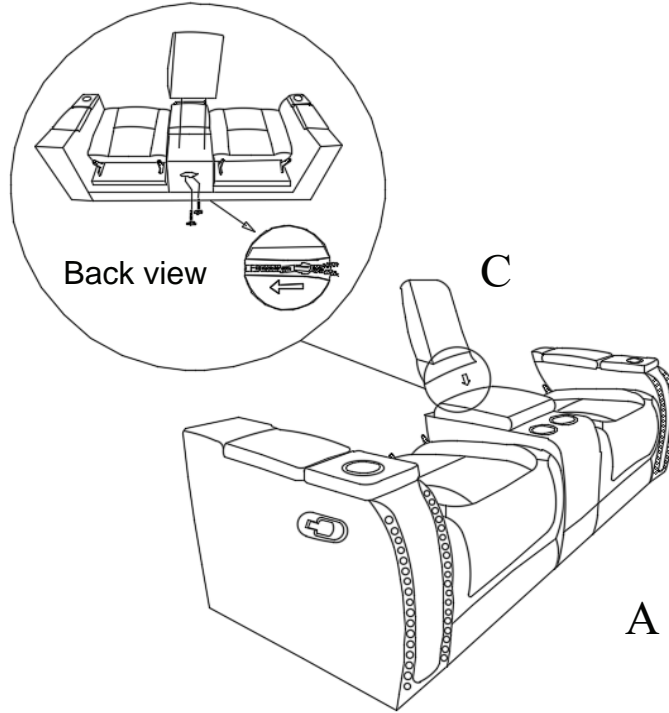
ASSEMBLY INSTRUCTIONS

BRECKENRIDGE II COLLECTION

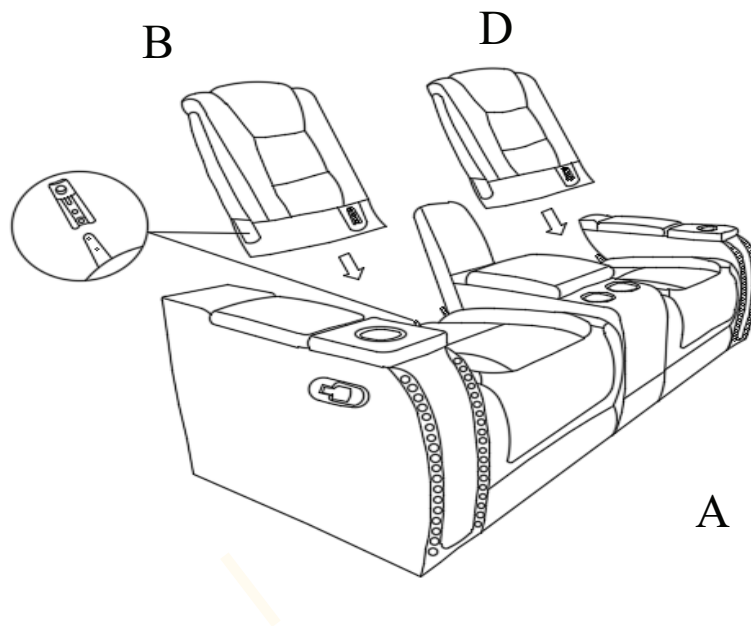
ITEM#: L3183A-25

DESCRIPTION :BRECKENRIDGE II CONSOLE
LOVESEAT W/ DUAL RECLINERS

Step 3:
Open the zipper at the back of the console of seat (A) and attach the console backrest (C) to the correct position by turning the knob screws from inside the zipper counterclockwise until the console backrest (C) is secured in place.



Step 4:
Insert the LSF backrest (B) and the RSF backrest (D) to the seat (A). Make sure the backrests are secured in position .



All images shown are for illustration purpose only.
Actual product may vary due to product enhancement.

ASSEMBLY INSTRUCTIONS

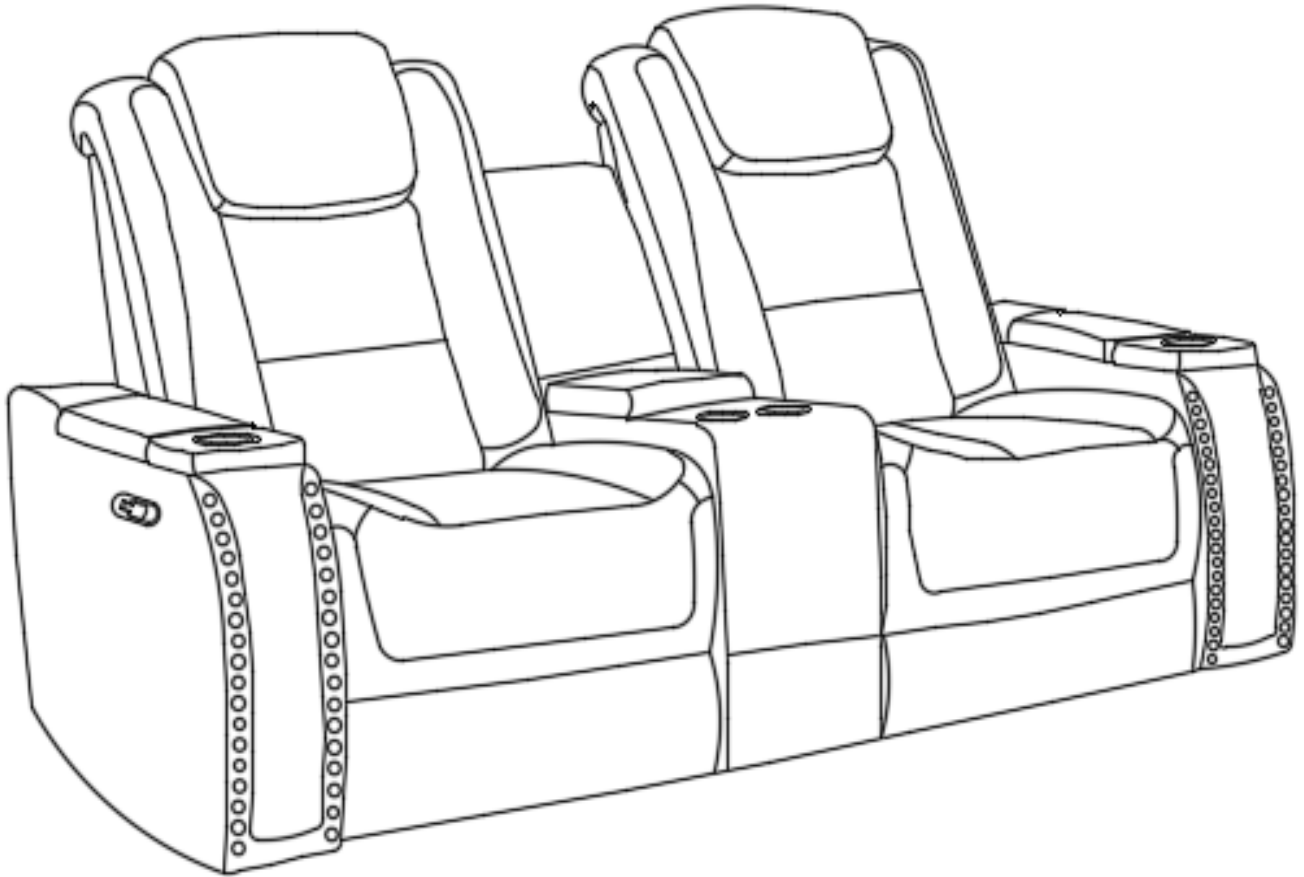
BRECKENRIDGE II COLLECTION

ITEM#: L3183A-25

DESCRIPTION : BRECKENRIDGE II CONSOLE
LOVESEAT W/ DUAL RECLINERS

Step 5:

Open the footrest by pulling the handle.



All images shown are for illustration purpose only.
Actual product may vary due to product enhancement.

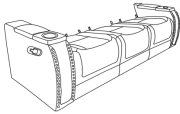




ASSEMBLY INSTRUCTIONS

BRECKENRIDGE II COLLECTION

ITEM#: L3183A-30

DESCRIPTION : BRECKENRIDGE II SOFA W/
DUAL RECLINER

Thank you for purchasing this quality product. Be sure to check all packing materials carefully for small parts, which may have come loose during shipment. Identify and count all items and compare with the parts list shown below. It is recommended to have two people during assembling and to remove the back and base of the furniture out from the box. **Please follow the drawings below to assemble the item**

PARTS LIST			
NO.	DESCRIPTION	SKETCH	QTY
A	Seat		1PC
B	Left Side Facing (LSF) Backrest		1PC
C	Mid backrest		1PC
D	Right Side Facing (RSF) Backrest		1PC
E	Adaptor		1PC

All images shown are for illustration purpose only.
Actual product may vary due to product enhancement.

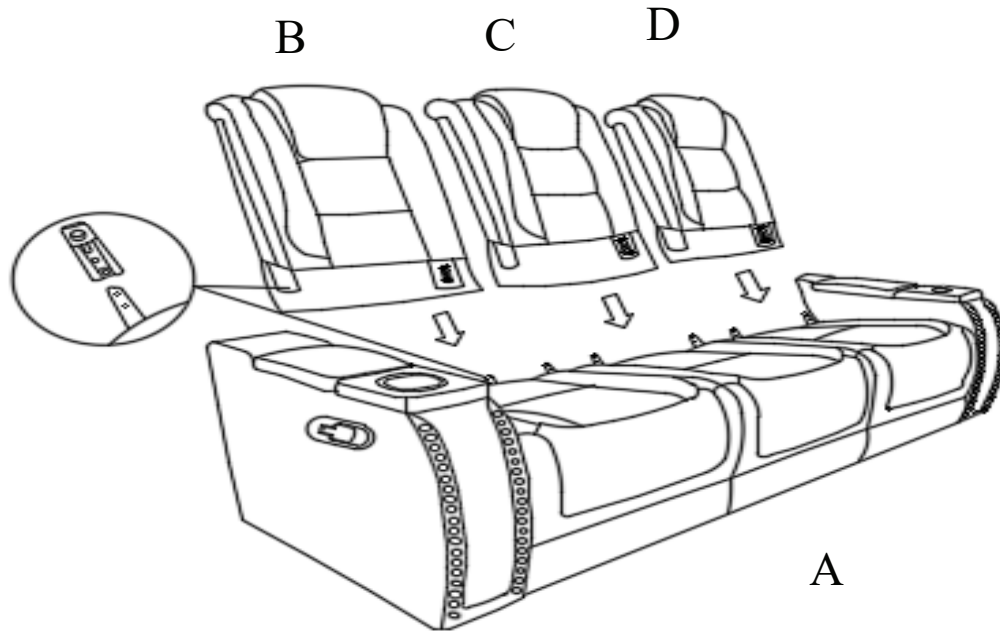
ASSEMBLY INSTRUCTIONS

BRECKENRIDGE II COLLECTION

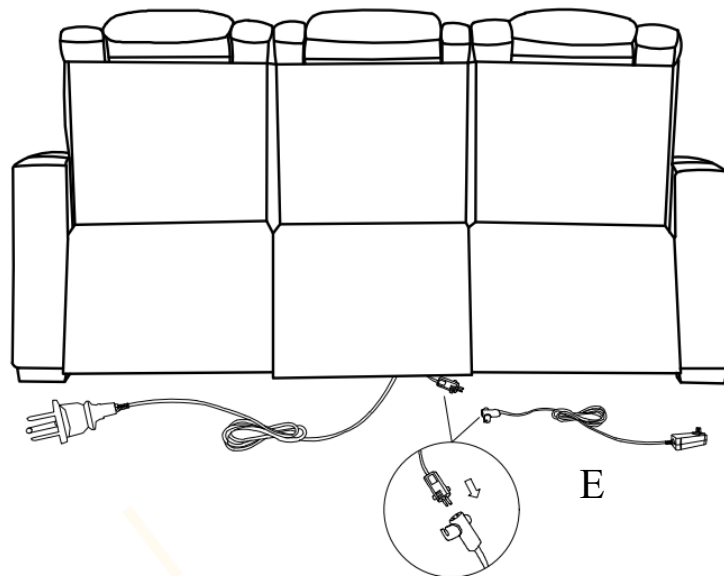
ITEM#: L3183A-30

DESCRIPTION : BRECKENRIDGE II SOFA W/
DUAL RECLINER

Step 1:
Insert the KD backrests (B), (C), (D) to the seat (A) and make sure the backrests are secured in position



Step 2: Connect the wire under the middle backrest with adaptor (E) .



All images shown are for illustration purpose only.
Actual product may vary due to product enhancement.

ASSEMBLY INSTRUCTIONS

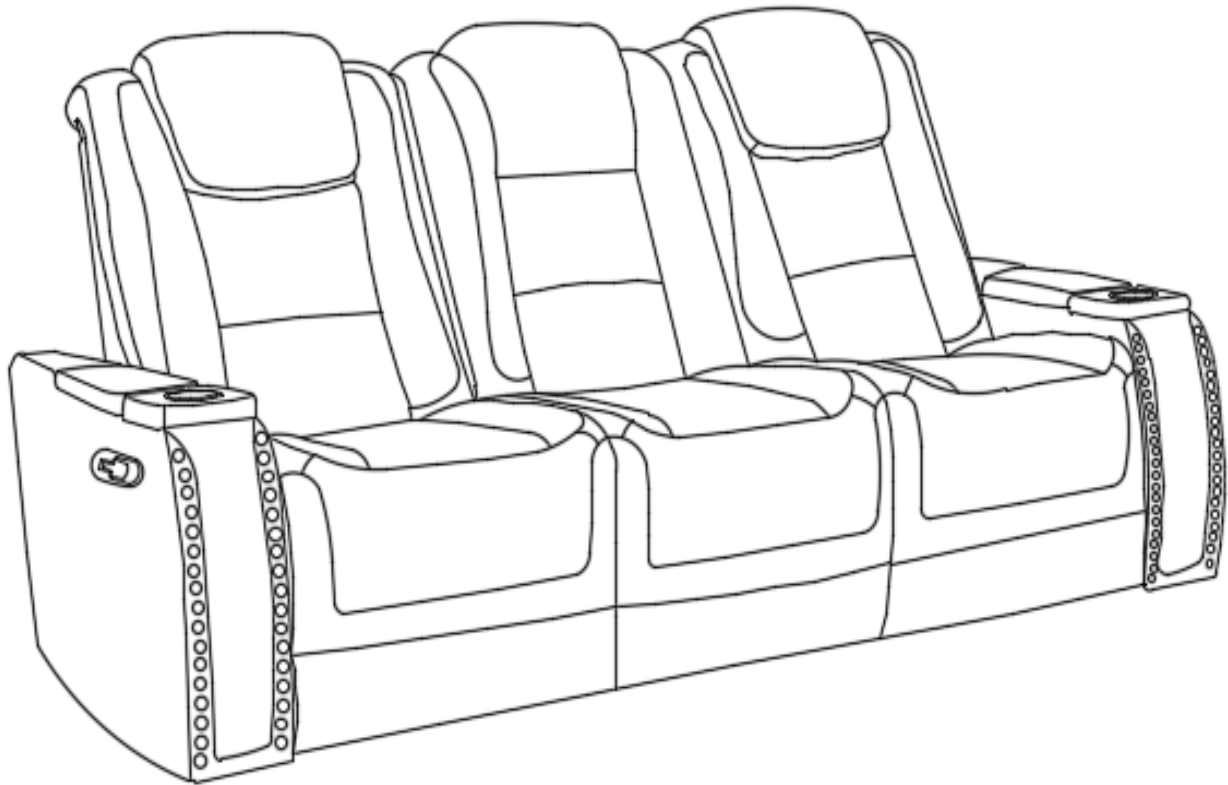
BRECKENRIDGE II COLLECTION

ITEM#: L3183A-30

DESCRIPTION : BRECKENRIDGE II SOFA W/
DUAL RECLINER

Step 3:

Open the footrest by pulling the handle.



All images shown are for illustration purpose only.
Actual product may vary due to product enhancement.