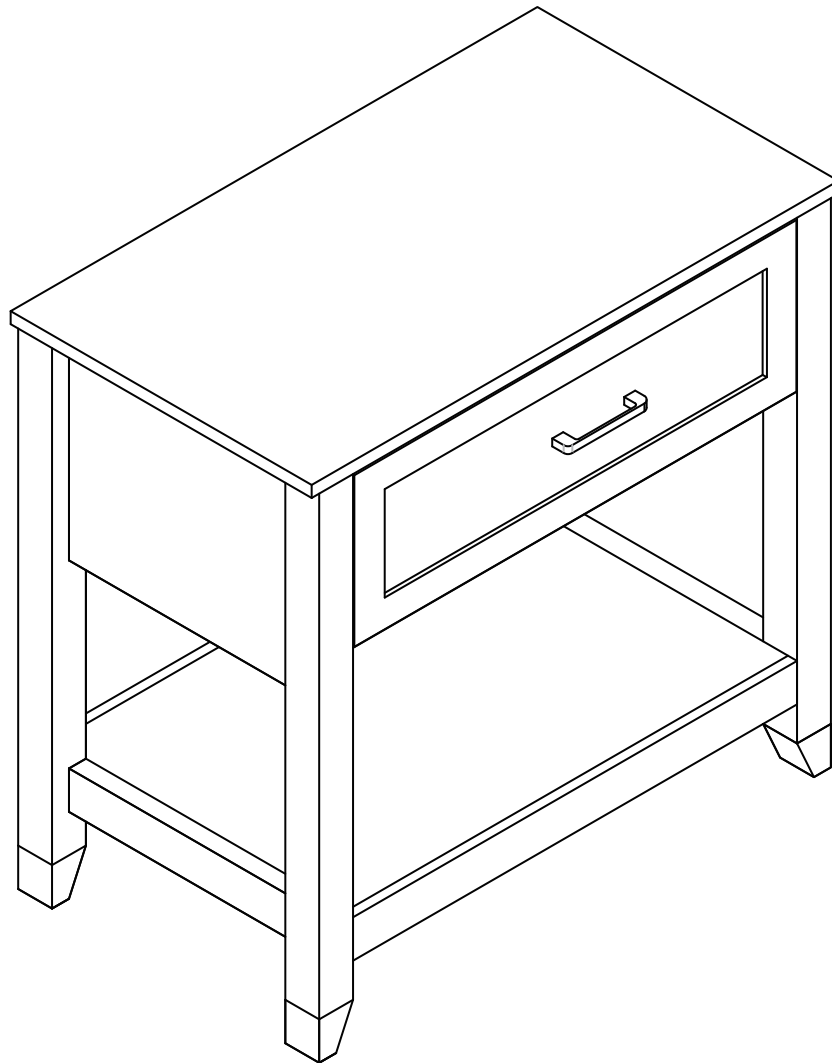
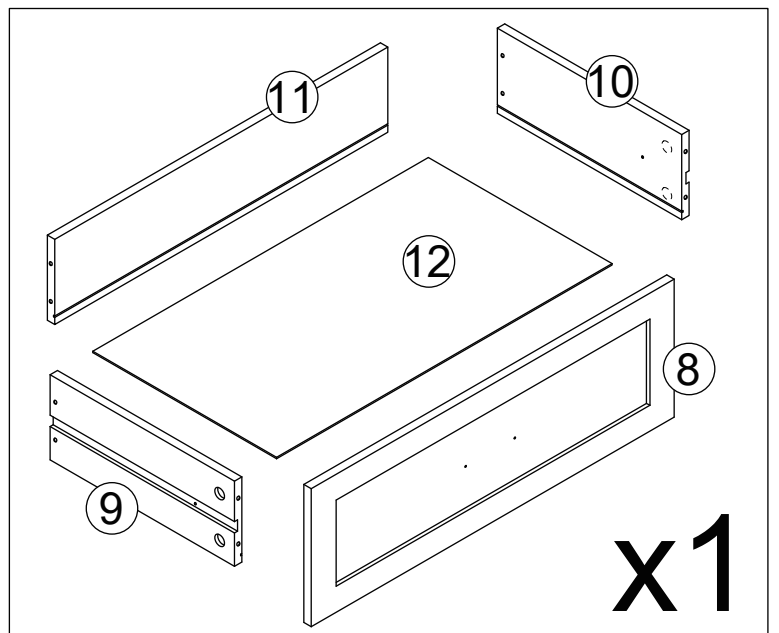
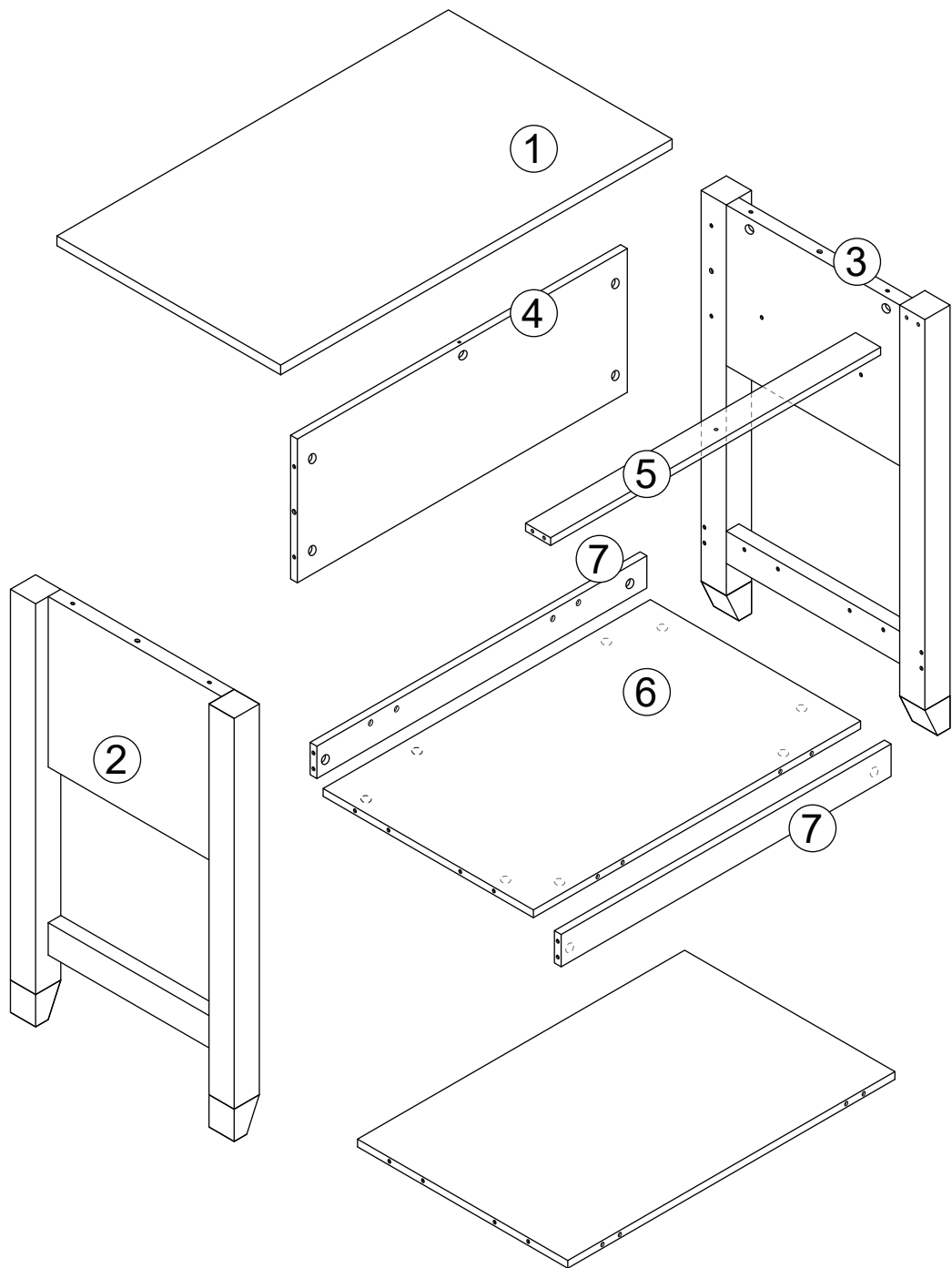
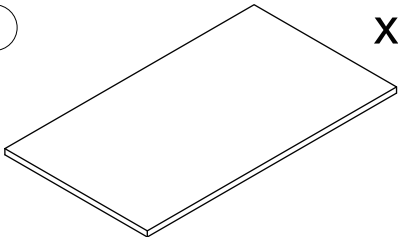
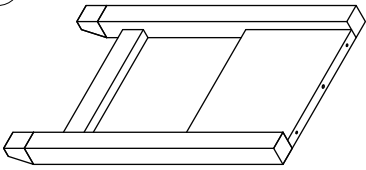
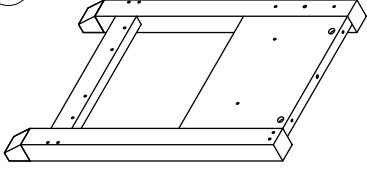
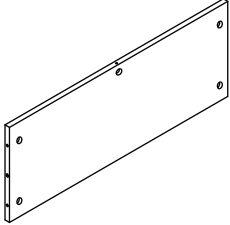
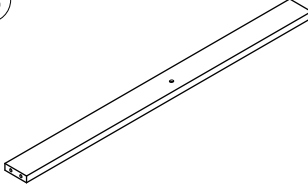
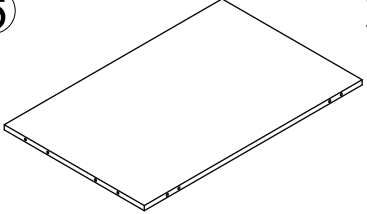
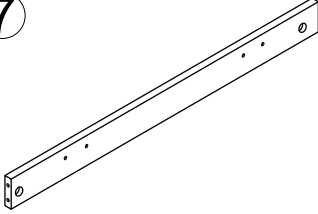
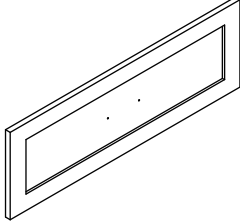
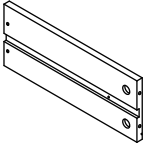
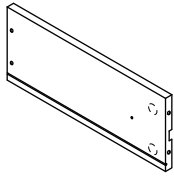
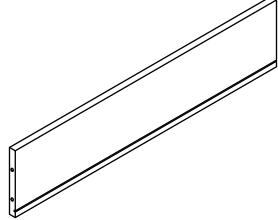
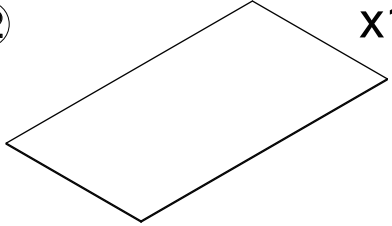


ASSEMBLY INSTRUCTION



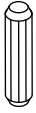
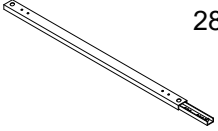

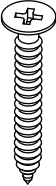
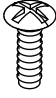

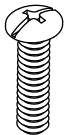


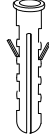




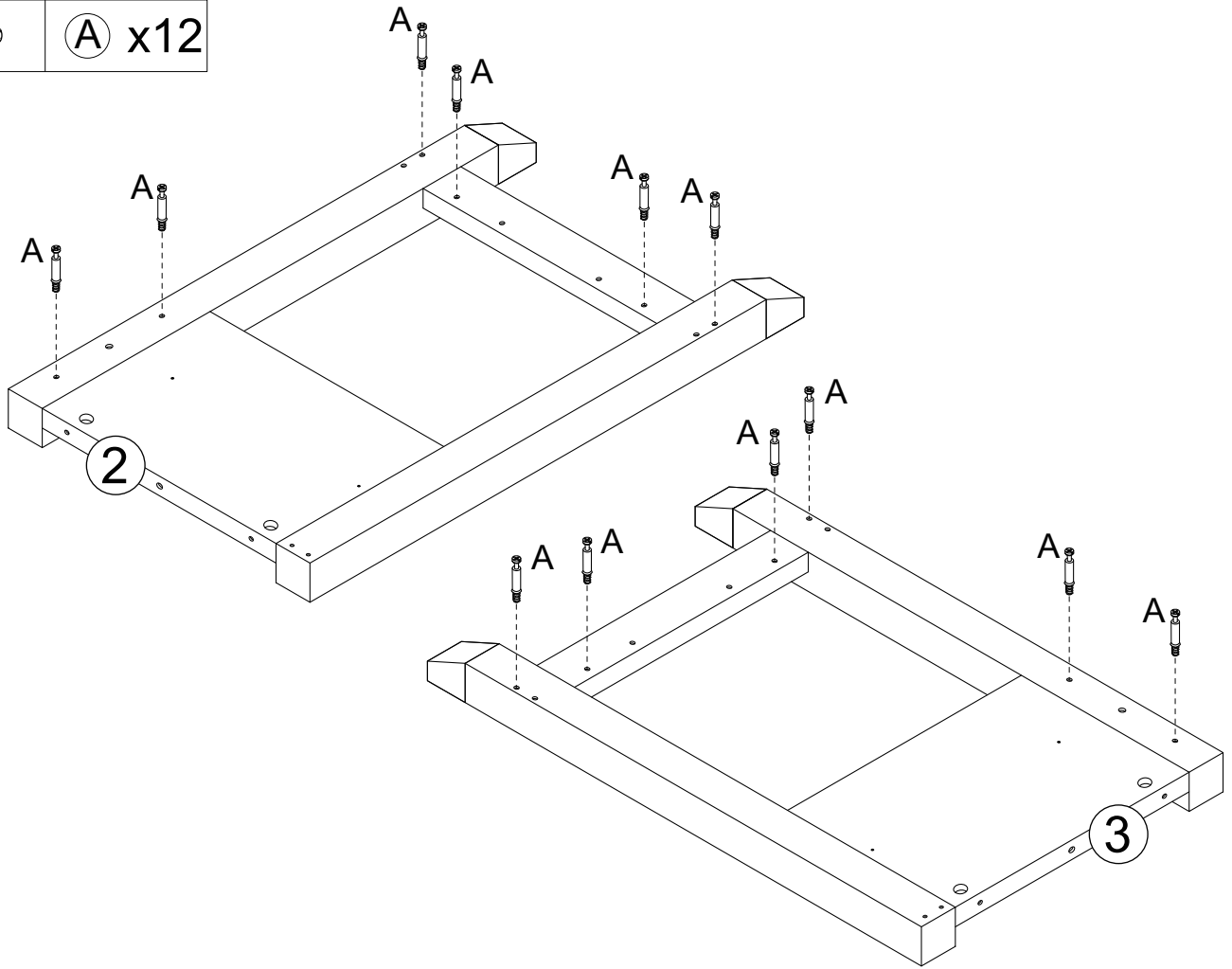
PARTS

<p>① x1</p> 	<p>② x1</p> 	<p>③ x1</p> 
<p>④ x1</p> 	<p>⑤ x1</p> 	<p>⑥ x1</p> 
<p>⑦ x2</p> 	<p>⑧ x1</p> 	<p>⑨ x1</p> 
<p>⑩ x1</p> 	<p>⑪ x1</p> 	<p>⑫ x1</p> 

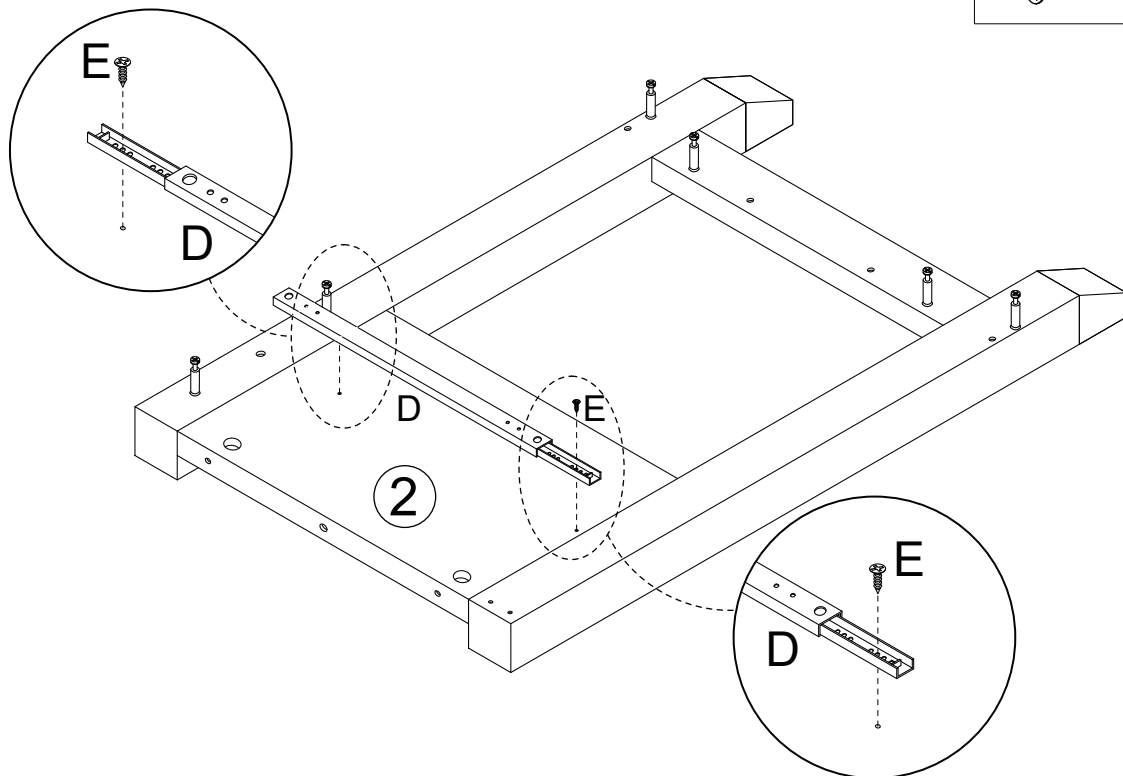
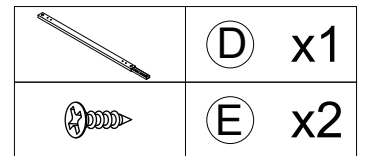
HARDWARE

<p>Ⓐ x25 +2(spare)</p> 	<p>Ⓑ x25 +2(spare)</p> 	<p>Ⓒ x20 M6*30 +1(spare)</p> 	<p>Ⓓ x2 280MM</p> 
<p>Ⓔ x6 M3*12</p> 	<p>Ⓕ x4 M4*30</p> 	<p>Ⓖ x2 M4*10</p> 	<p>Ⓗ x1</p> 
<p>Ⓘ x2 M4*16</p> 	<p>Ⓙ x1 M3.5*40</p> 	<p>Ⓚ x1</p> 	<p>Ⓛ x1</p> 

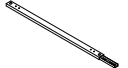

STEP 1

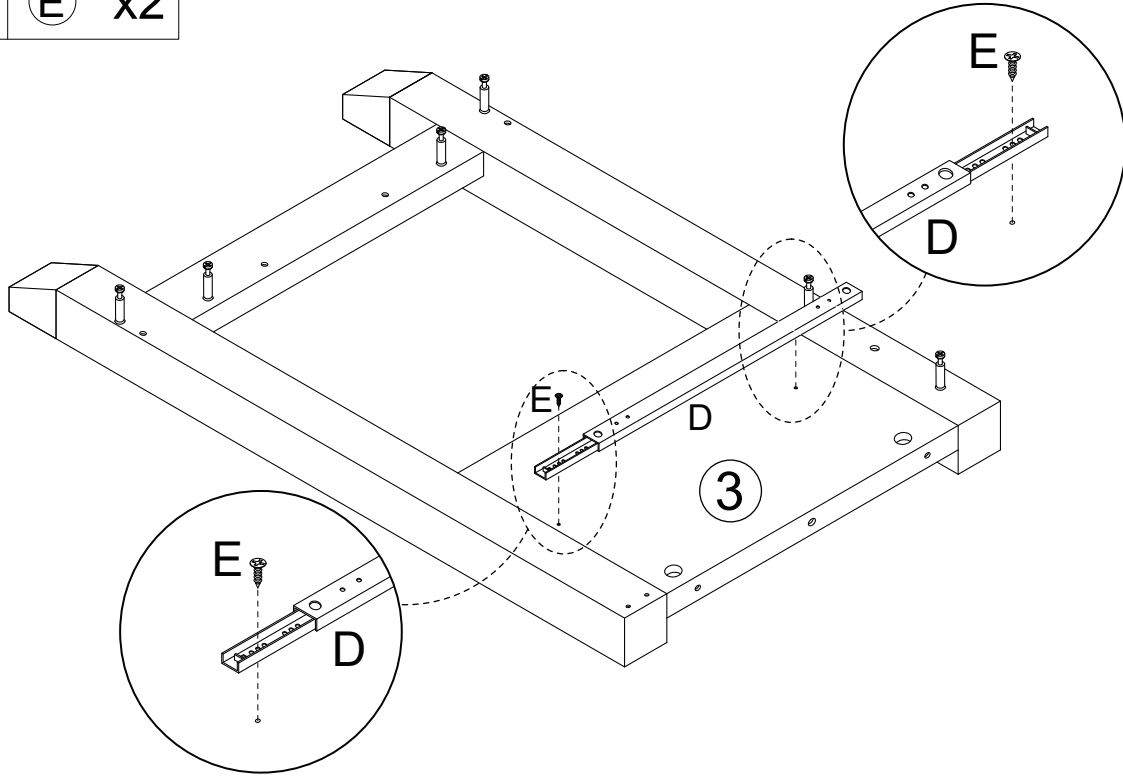


STEP 2

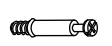




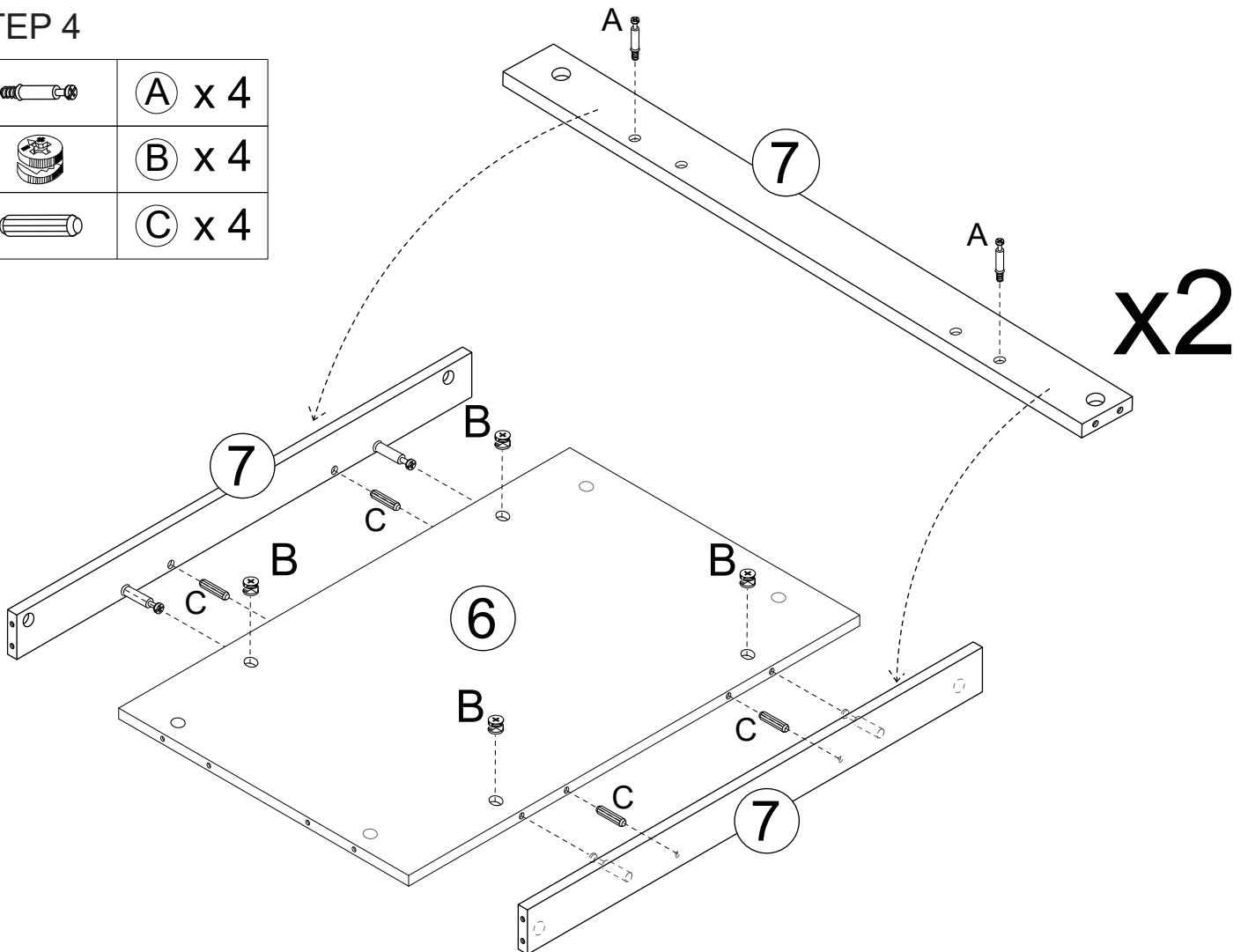
STEP 3

	Ⓓ x1
	Ⓔ x2


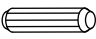


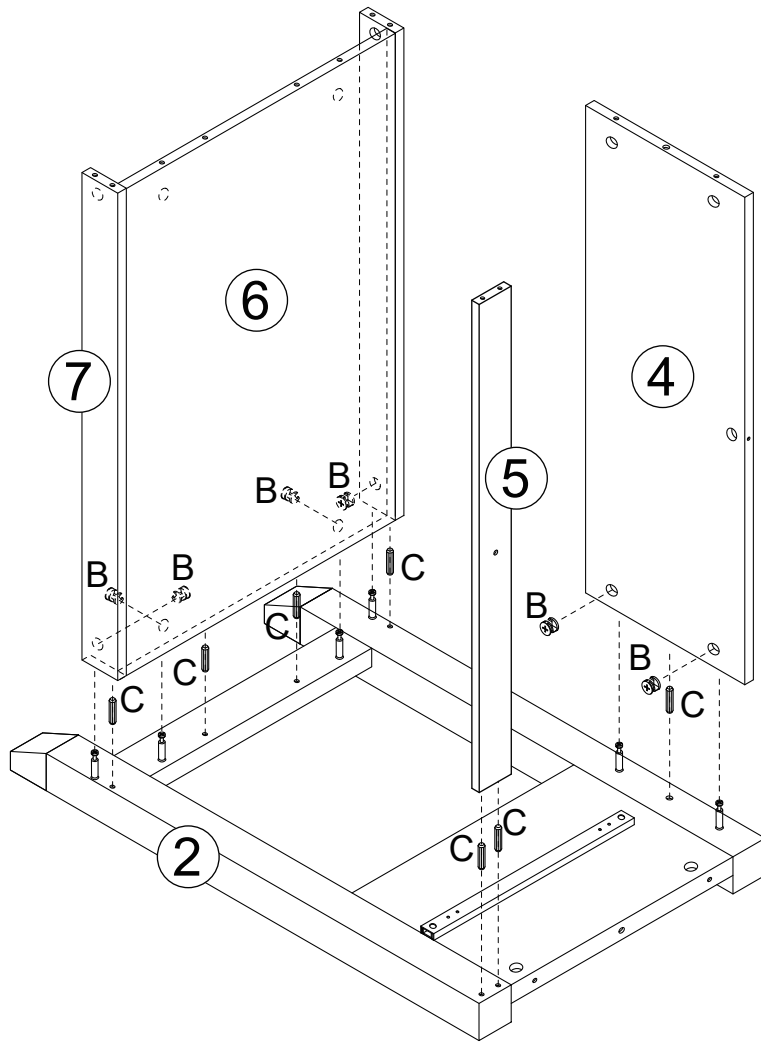
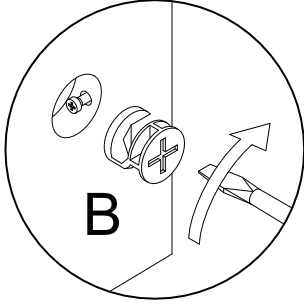
STEP 4

	Ⓐ x4
	Ⓑ x4
	Ⓒ x4





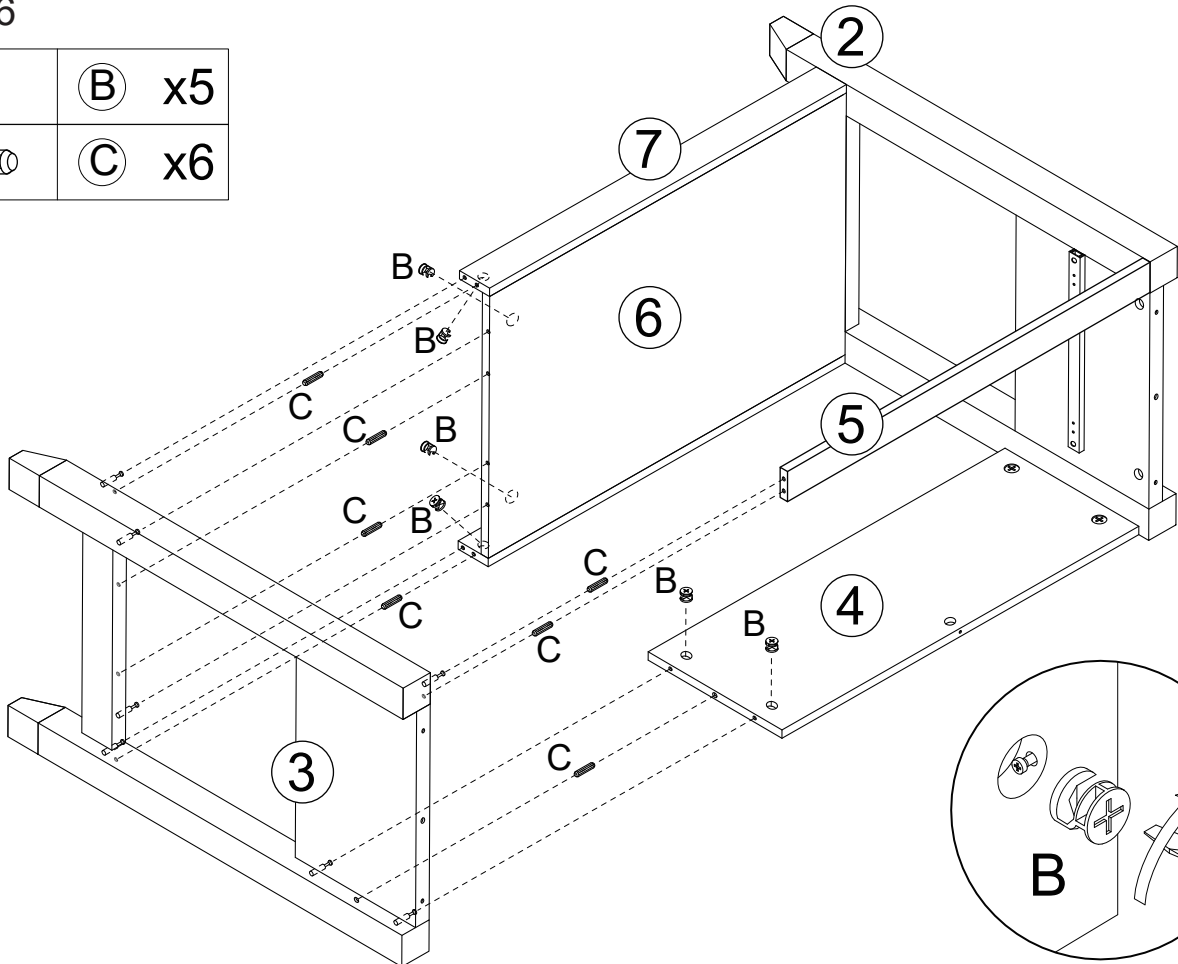
STEP 5

	(B) x6
	(C) x7



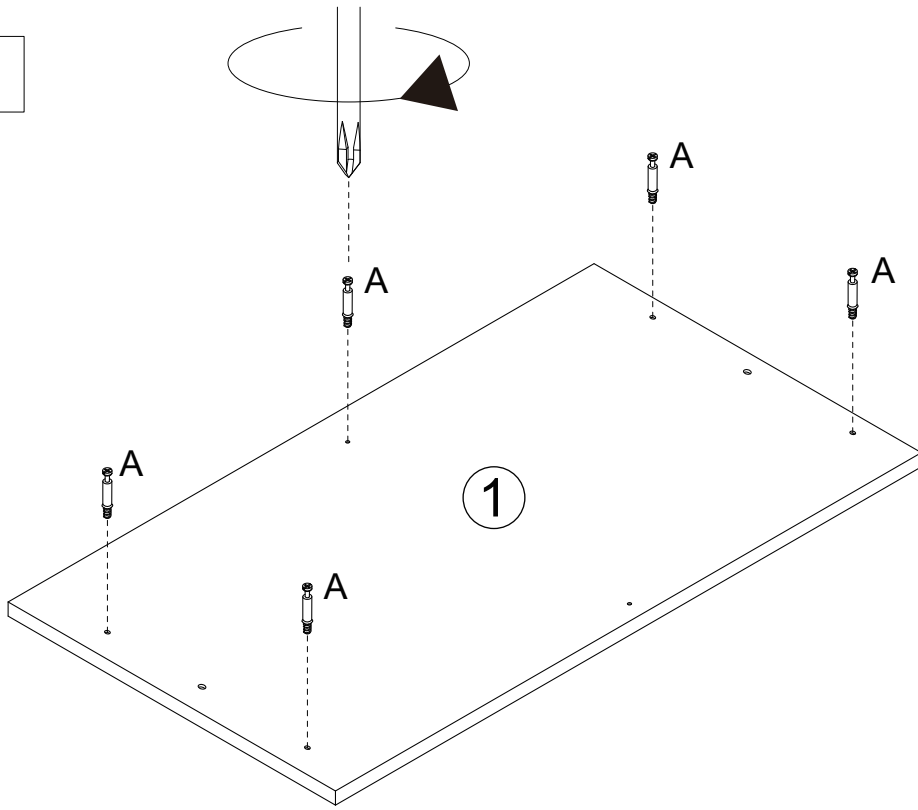
STEP 6

	(B) x5
	(C) x6





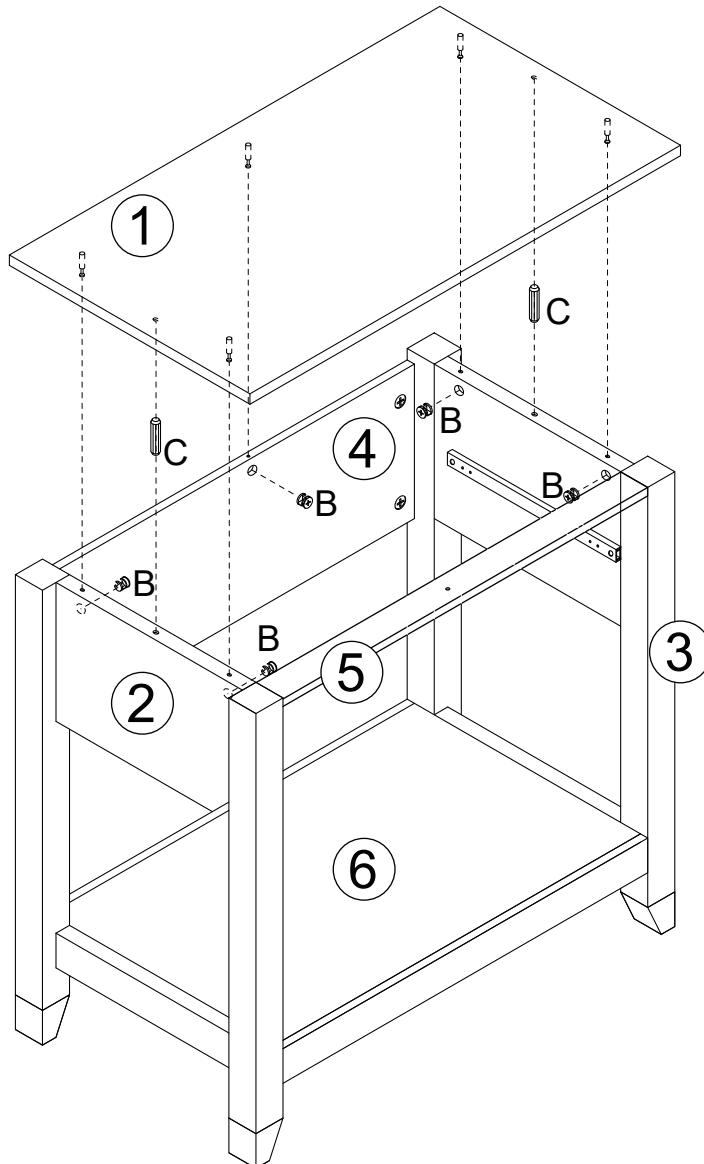
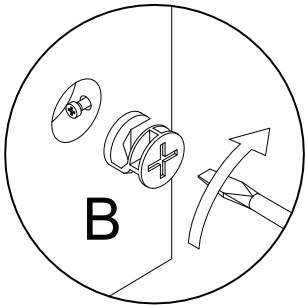
STEP 7

	A x5
---	-------------

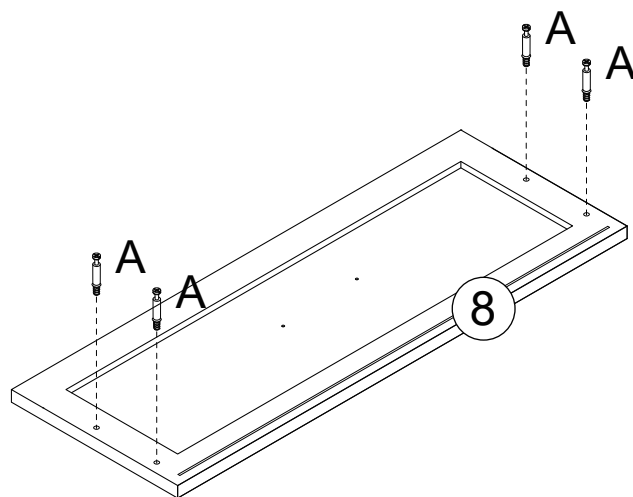
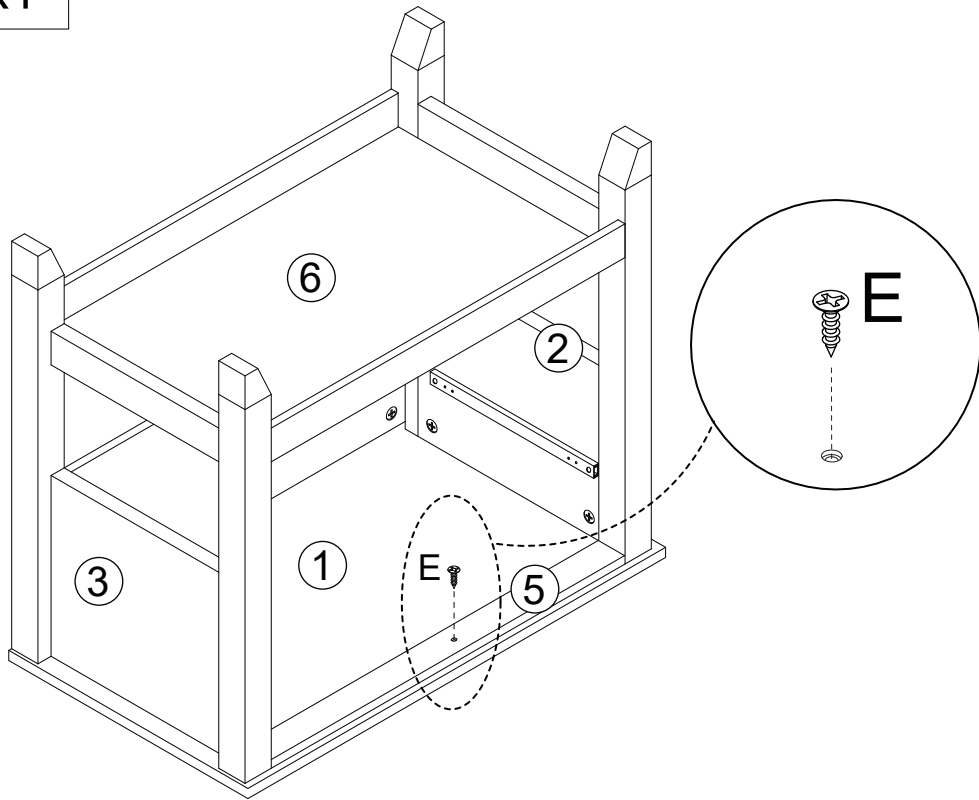
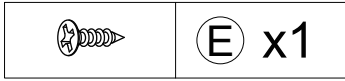


STEP 8



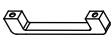
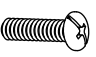
	B x5
	C x2

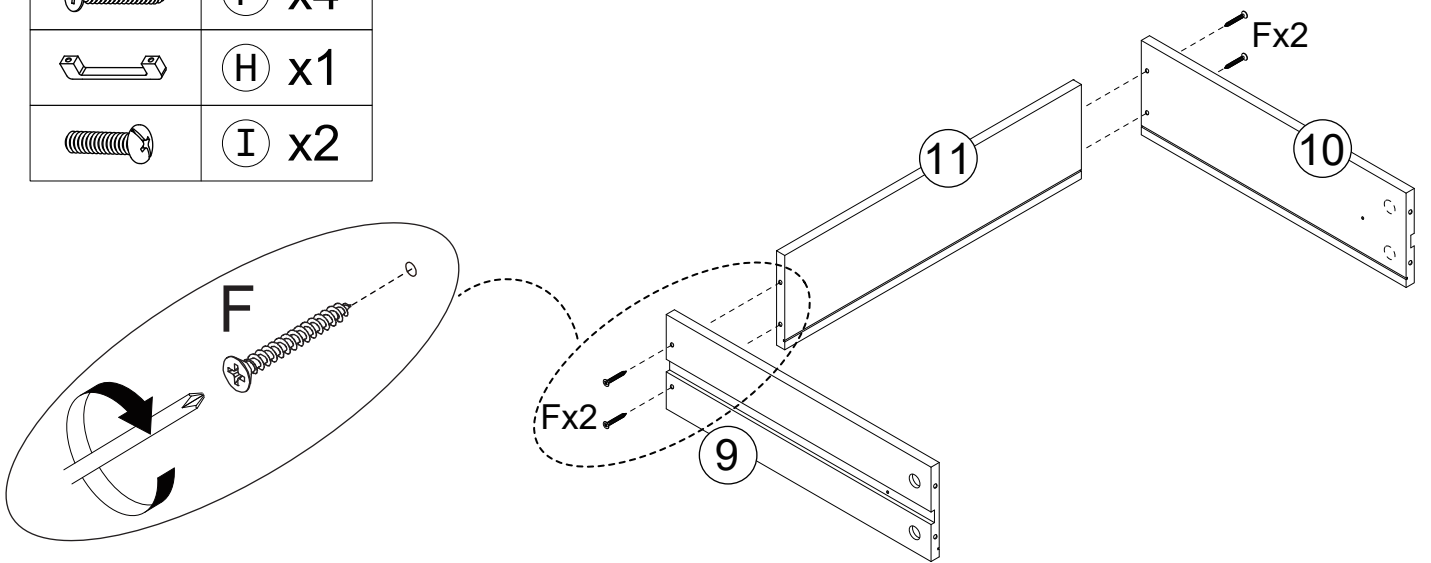


STEP 7

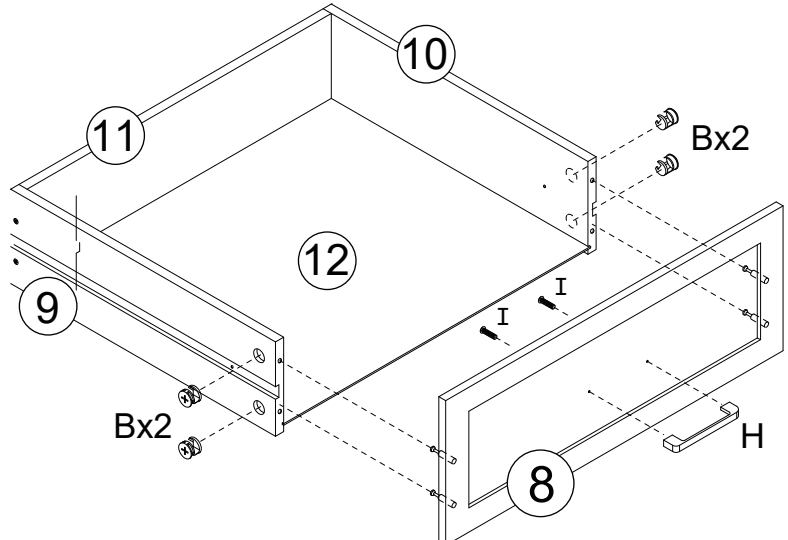
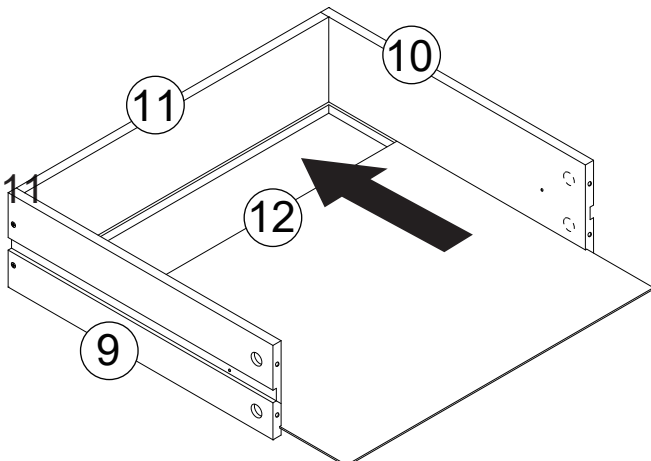


STEP 9

	Ⓑ x4
	Ⓕ x4
	Ⓗ x1
	Ⓘ x2

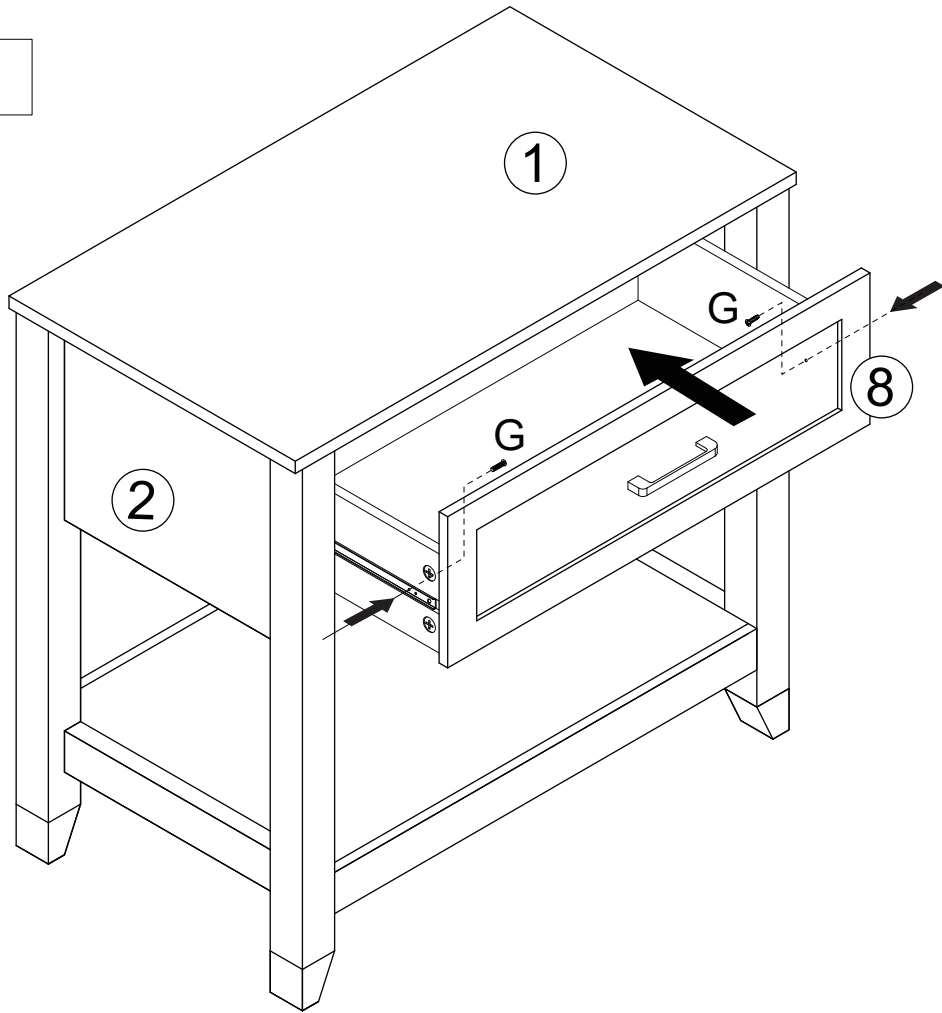




STEP 11

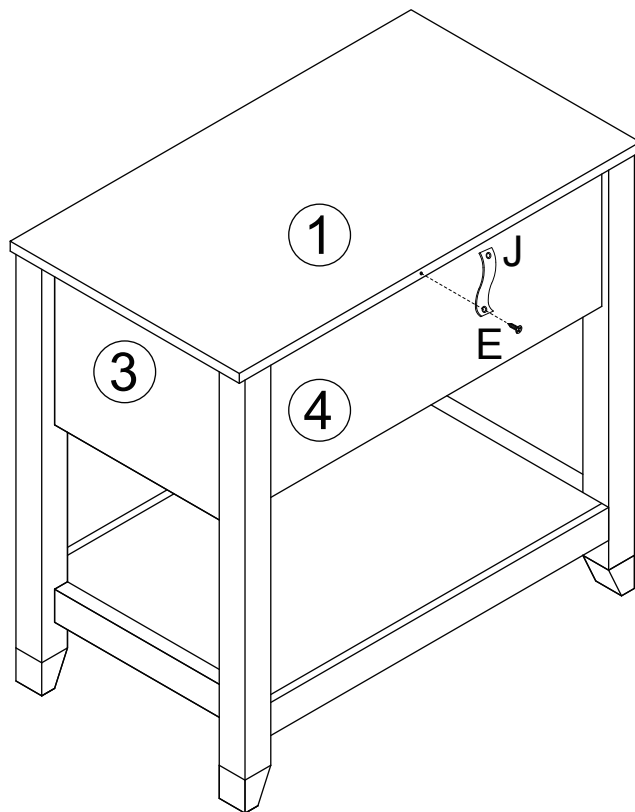


STEP 10


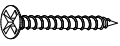
	ⓐ x2
---	------



	ⓔ x1
	Ⓚ x1



STEP 10

	(L) x1
	(J) x1

