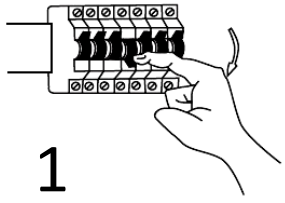
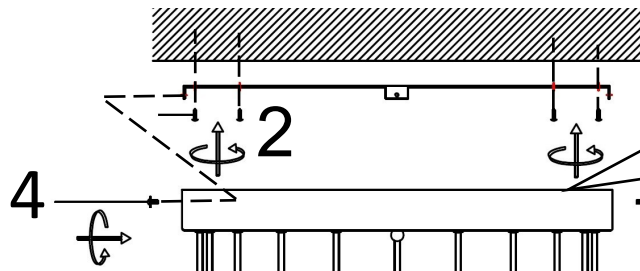


ASSEMBLY INSTRUCTIONS

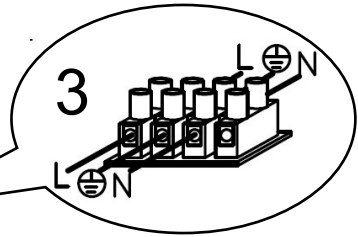


1

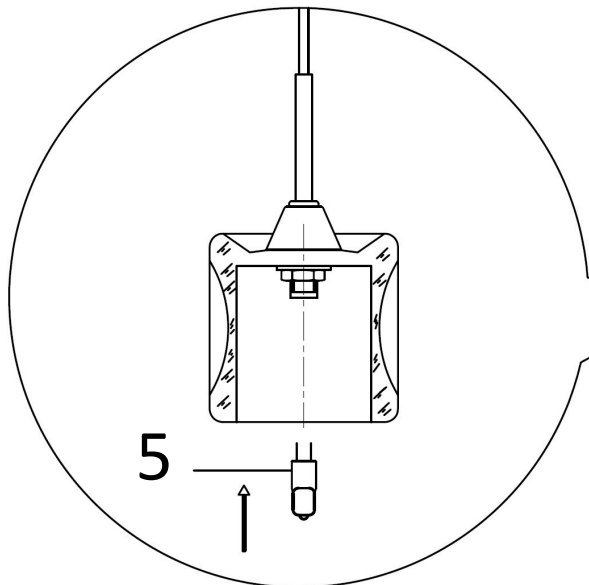


2

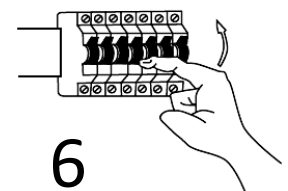
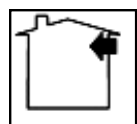
4



3



5



6