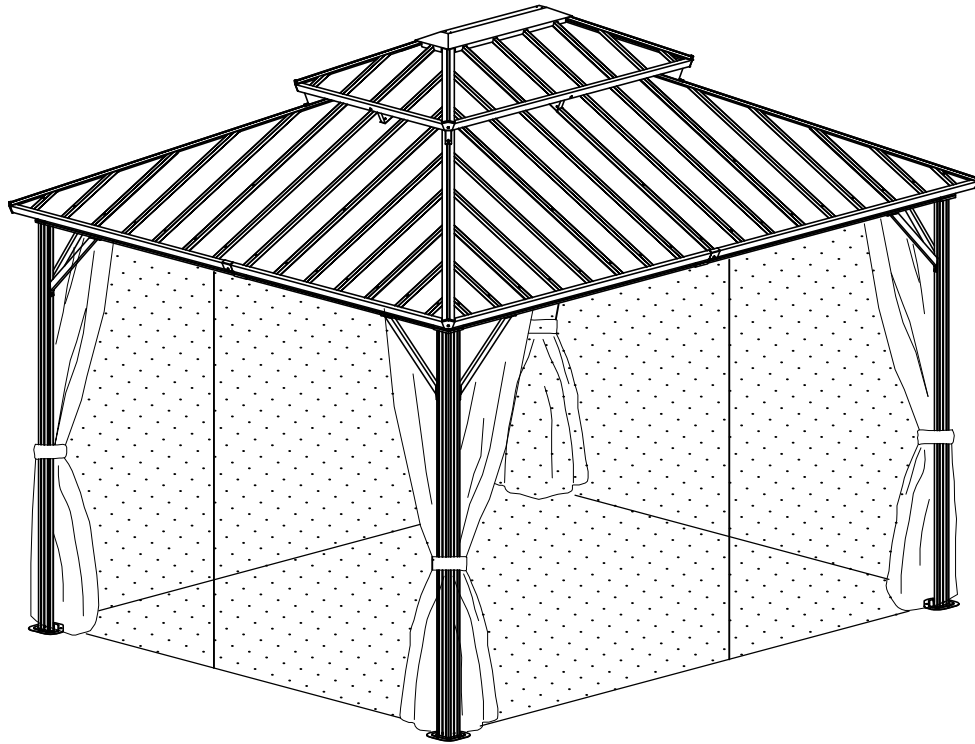


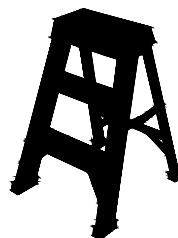
10 x 12FT

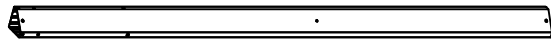
□ □ □ □ □ □ □ □ WQG-028-3 □ □ □ □ □ □ □ □



Need at least three people to work together

REQUIRED TOOLS





A8 4x



W9 2x



W10 2x



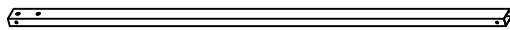
W11 2x



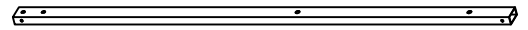
W12 2x



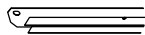
D19 4x



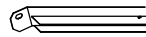
D16 2x



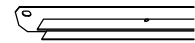
D17 2x



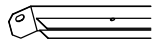
C13 2x



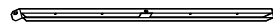
C14 2x



C1 2x



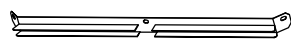
C2 2x



G1 2x



G9 2x



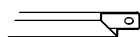
I1 2x



I9 2x



F6 2x



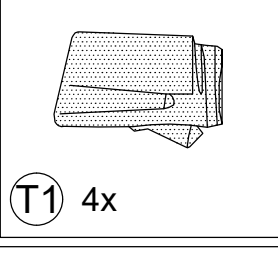
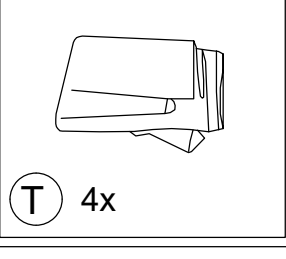
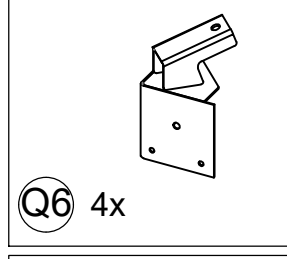
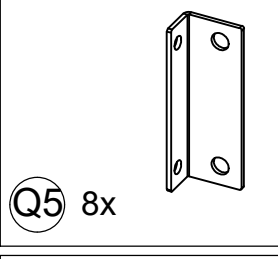
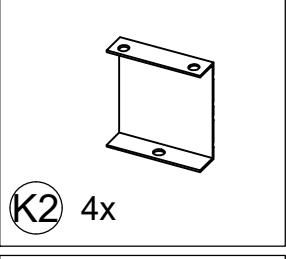
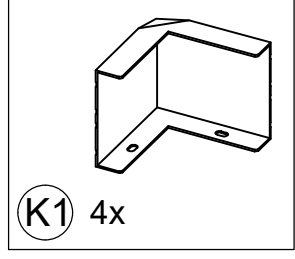
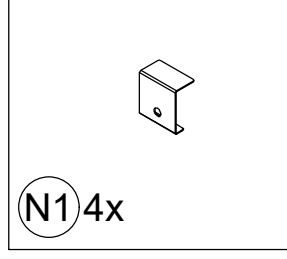
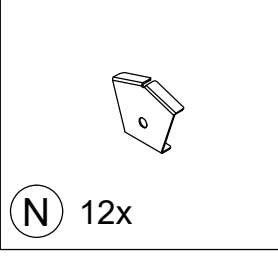
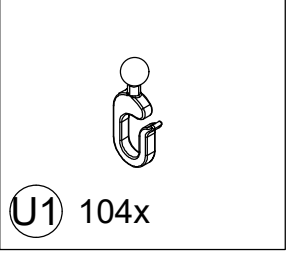
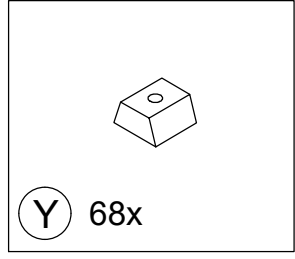
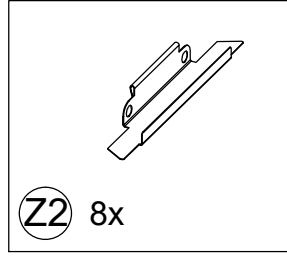
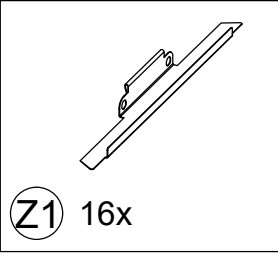
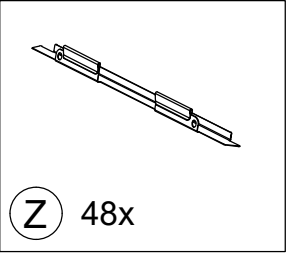
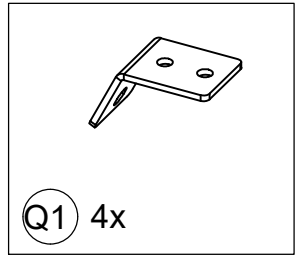
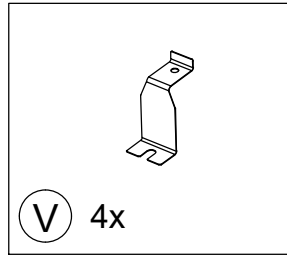
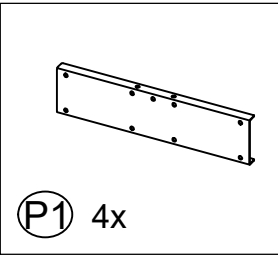
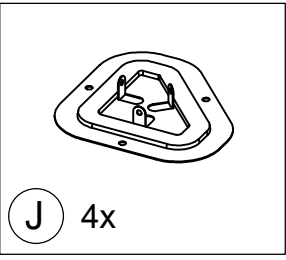
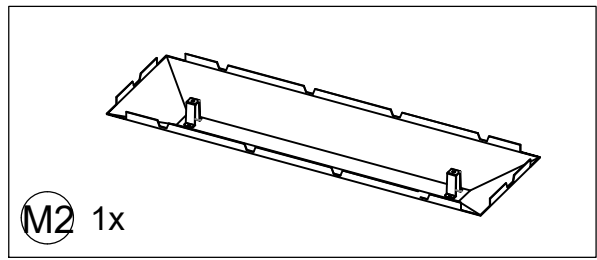
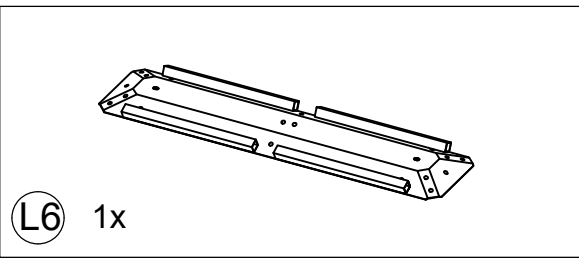
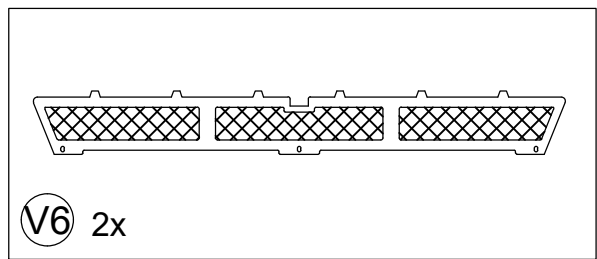
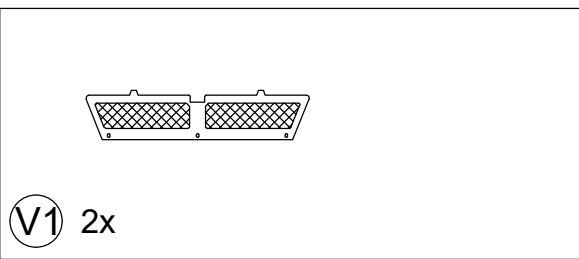
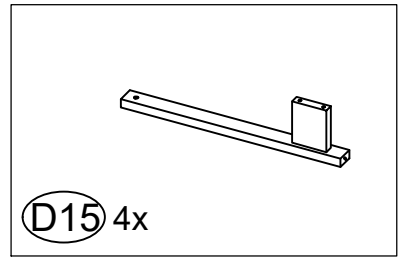
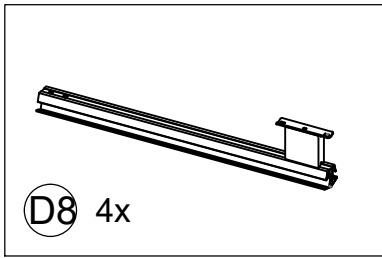
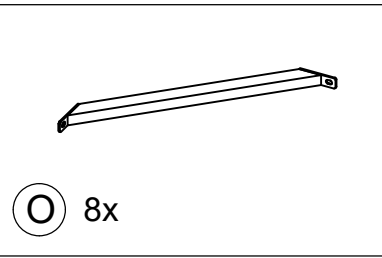
F7 2x

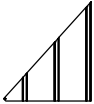
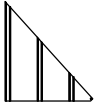
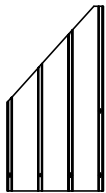
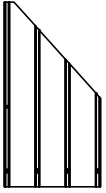
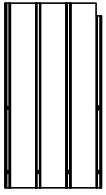
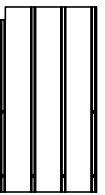
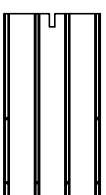
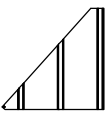
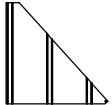
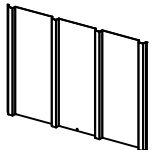







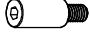


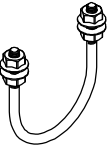


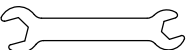

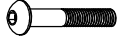


F9 2x



F10 2x

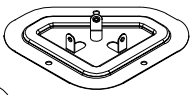


 X1 4x	 X2 4x	 X13 4x	 X14 4x
 X15 2x	 X16 2x	 X17 2x	 S1 4x
 S2 4x	 S3 2x		
 M6x15 1 144x	 M6x23 2 60x	 M6x25 3 4x	 ST 4.8x12 4 8x
 5 2x	 M5x12 6 8x	 M6x45 7 8x	 8 16x
 M6x10 9 8x	 10 12x	 11 1x	 4mm 12 2x
 M6x10 13 12x	 14	 M5x15 15 16x	 M6x35 16 8x

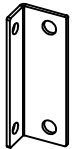
<1>



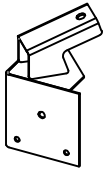
A8 4x



J 4x



Q5 8x



Q6 4x



M6x15

1 12x



M5x12

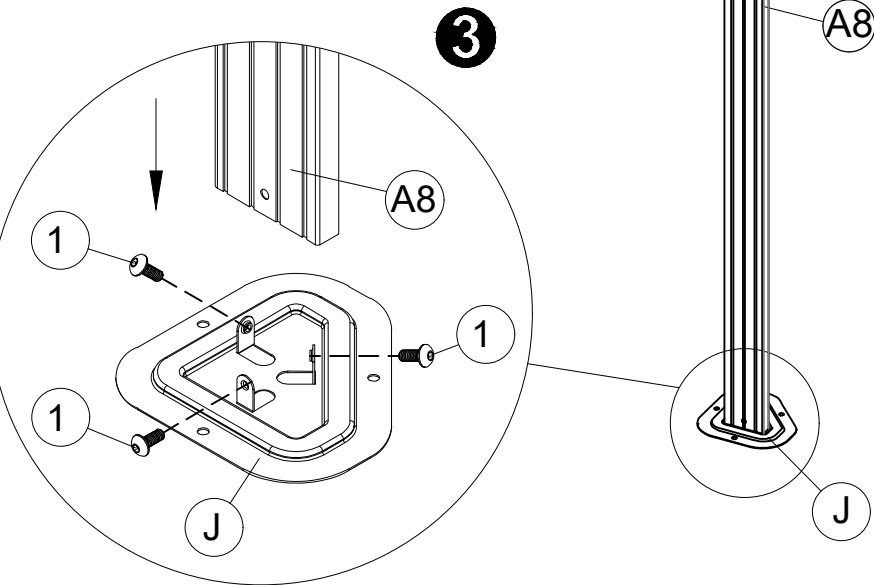
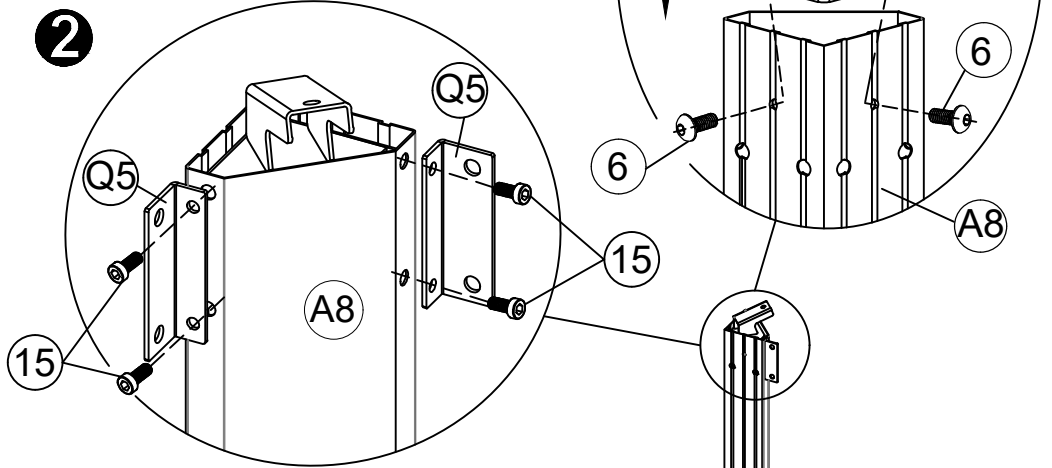
6 8x



M5x15

15 16x

5



1

2

3

Q6

6

A8

6

15

A8

15

Q5

Q5

A8

A8

1

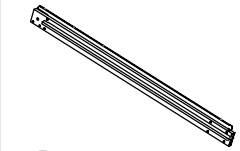
1

1

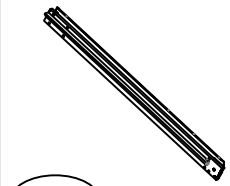
J

J

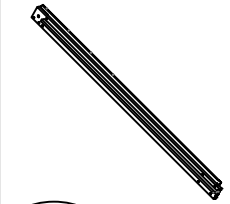
<2>



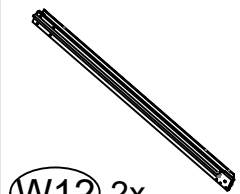
W9 2x



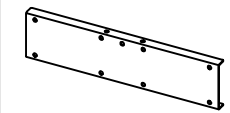
W10 2x



W11 2x



W12 2x

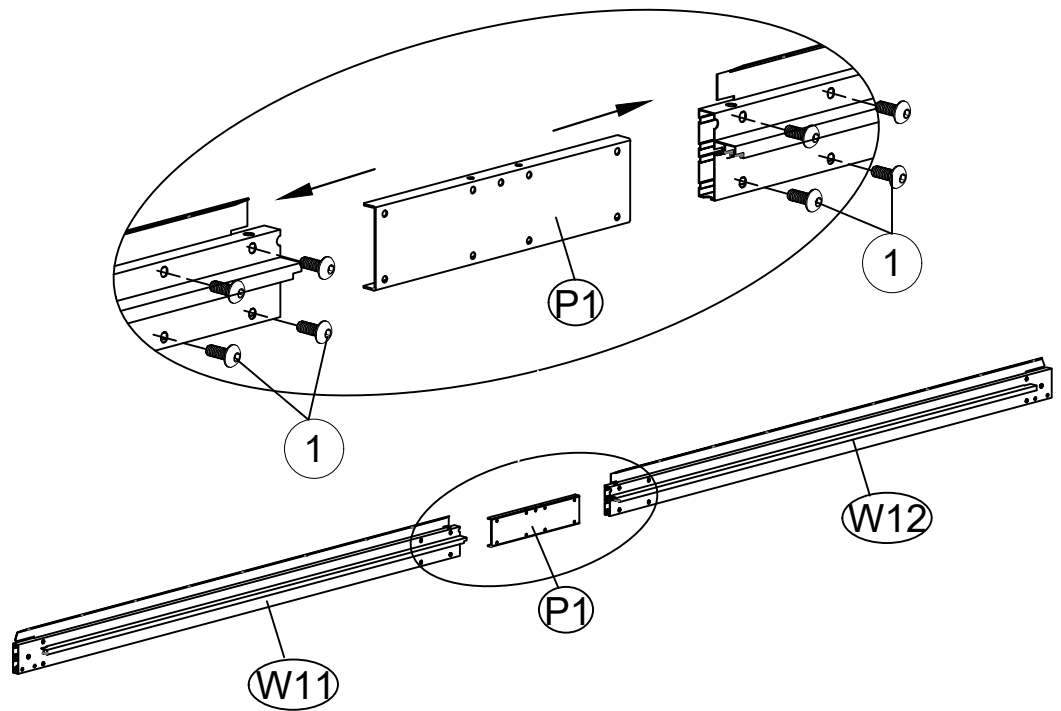
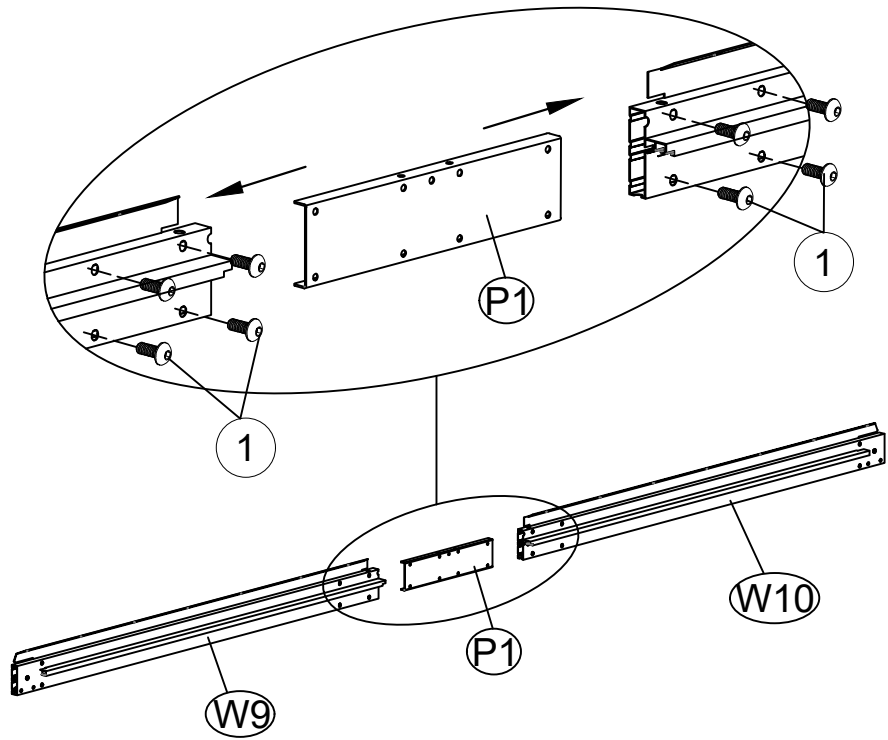


P1 4x



M6x15

1 32x



<3>

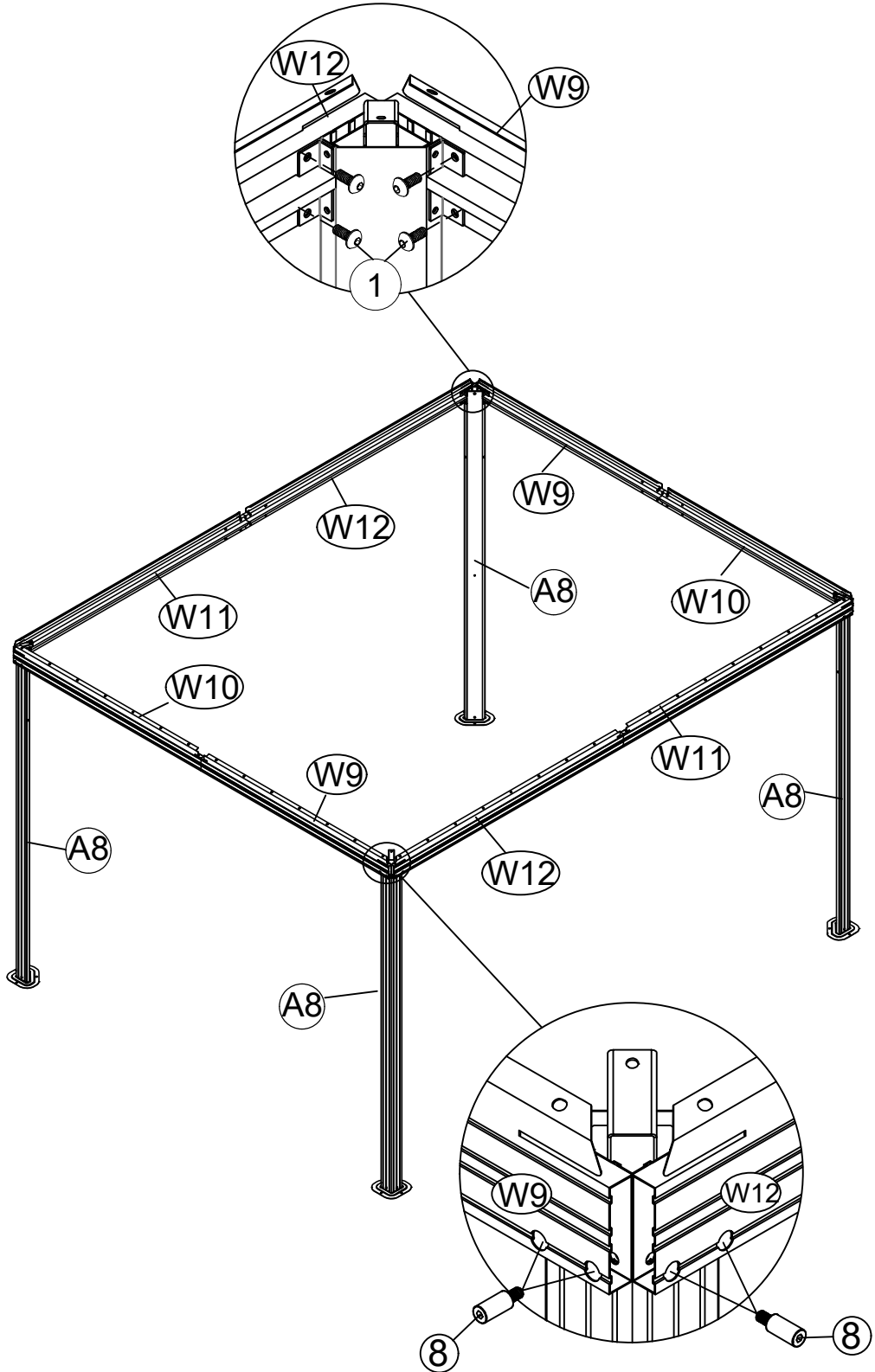


8 16x



M6x15

1 16x





○ 8x



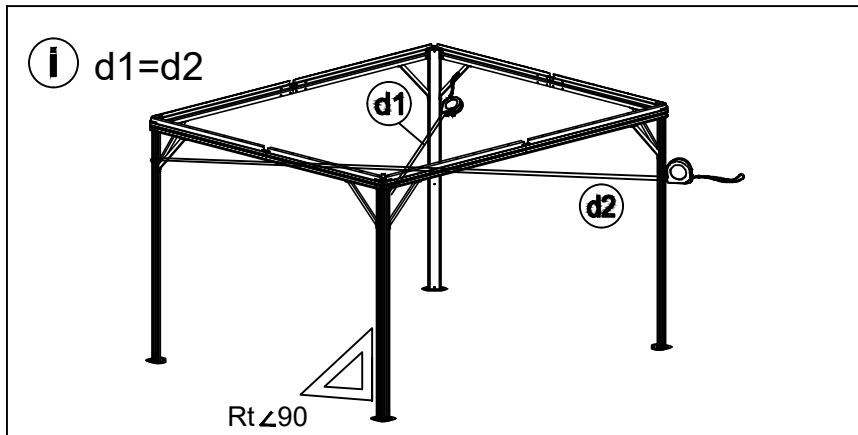
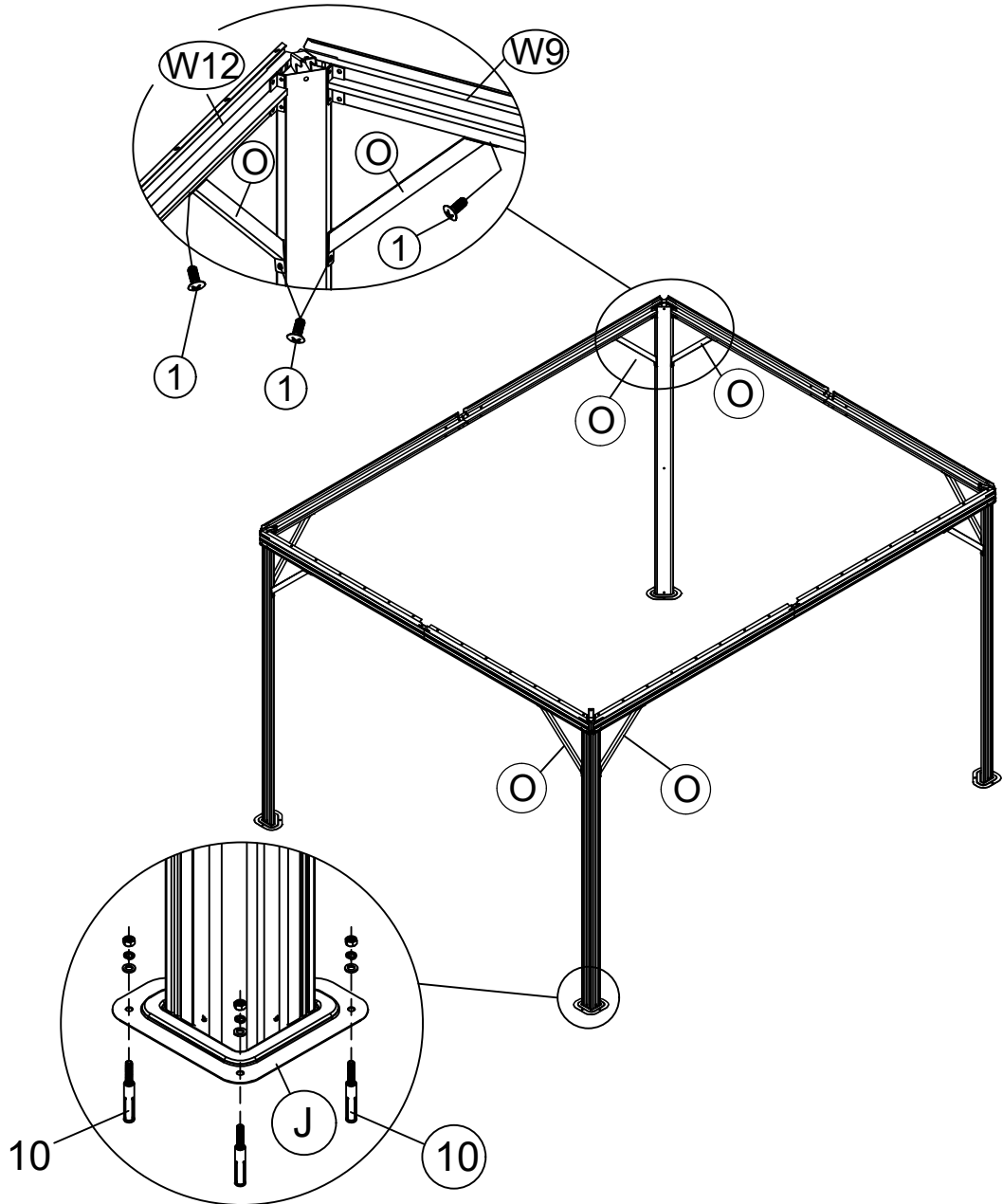
M6x15

① 16x

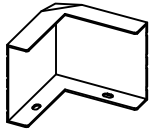


⑩ 12x

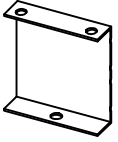
<4>



Tips: Please measure to make sure the length of d1 is equal to d2 before moving to next step to ensure a square frame and best results. Keep the beam at right angles to the post, the post at right angles to the ground, and keep the beam horizontal.



(K1) 4x



(K2) 4x



(U1) 104x



(V) 4x



M6x10

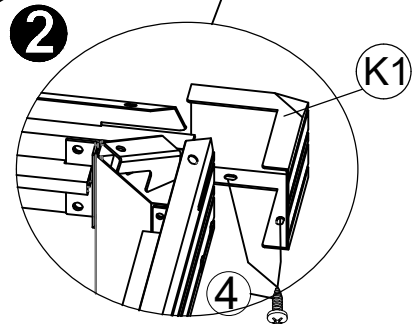
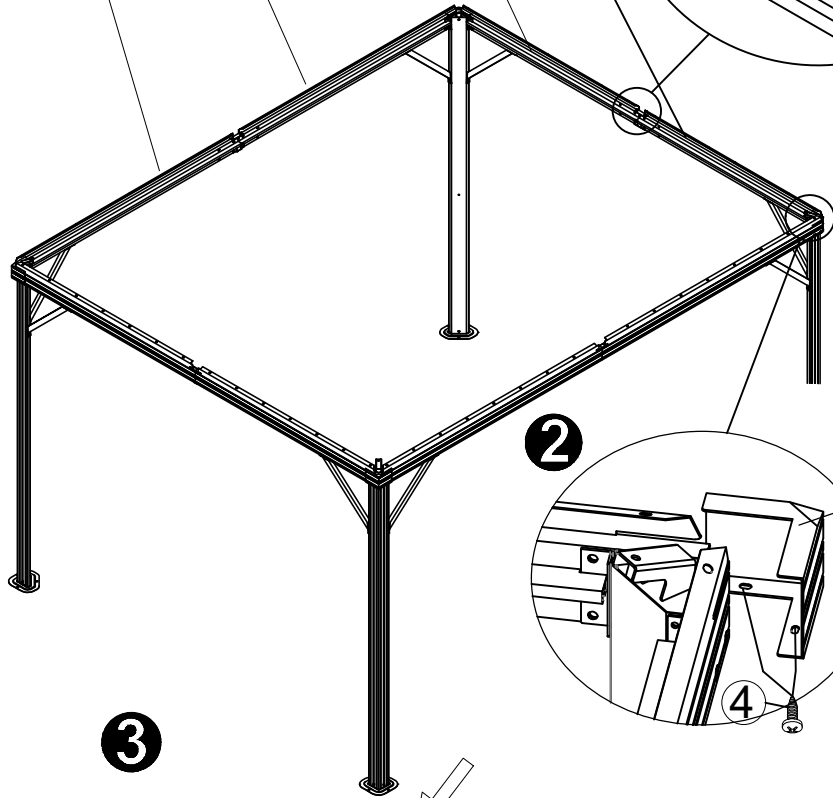
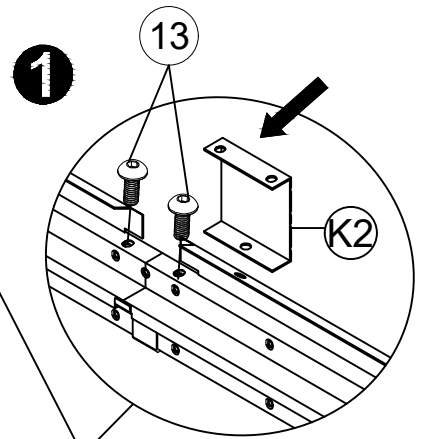
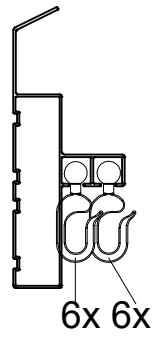
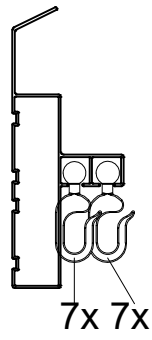
(13) 12x



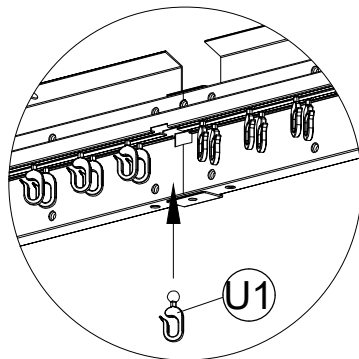
ST4.8x12

(4) 8x

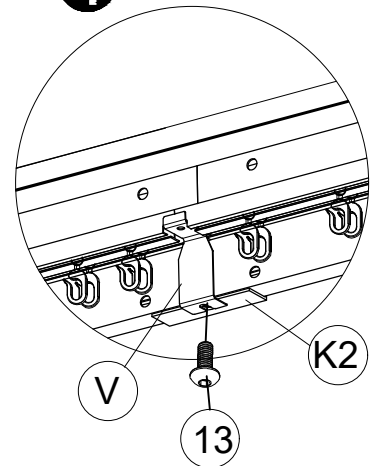
<5>

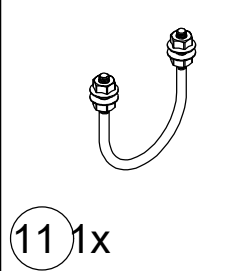
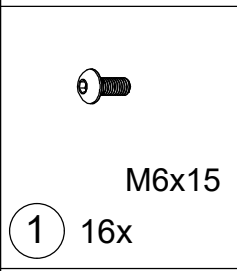
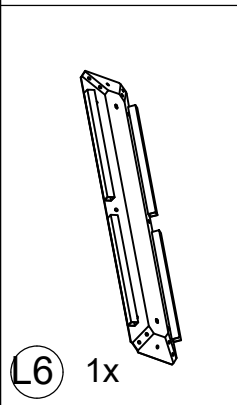
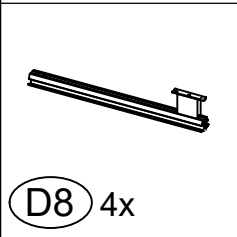
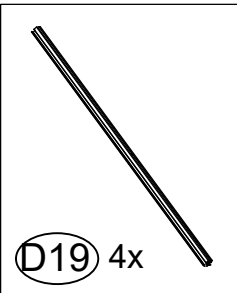


3

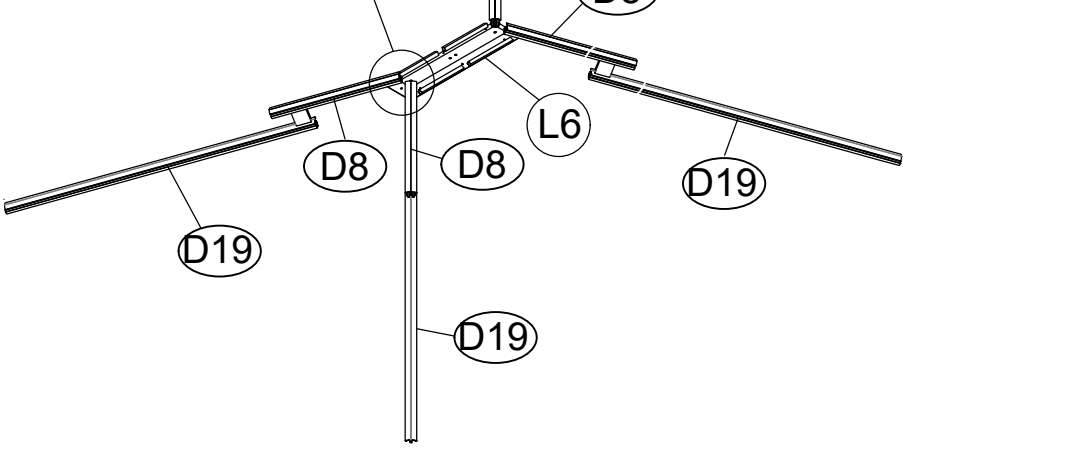
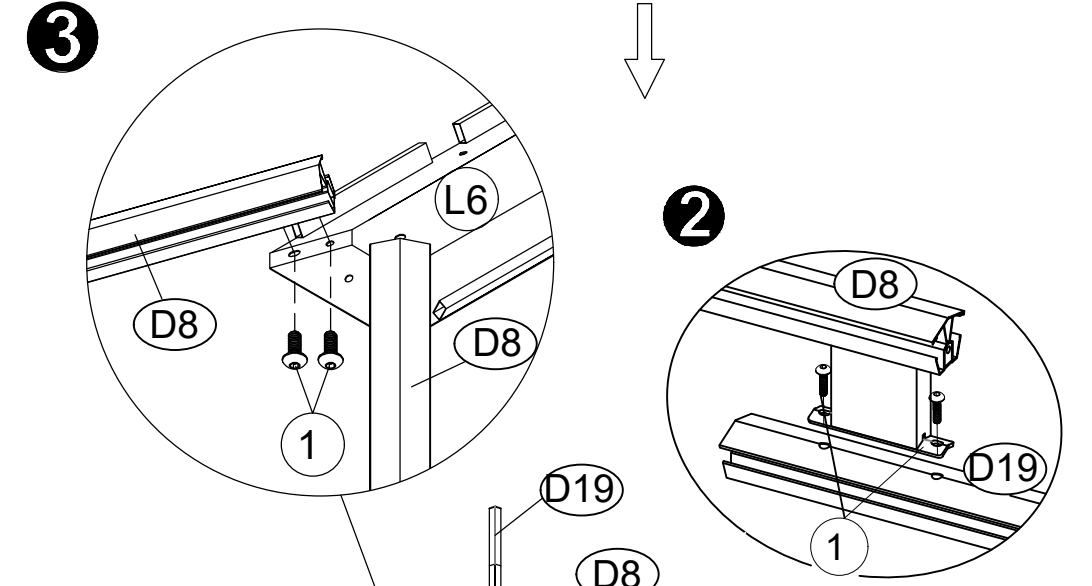
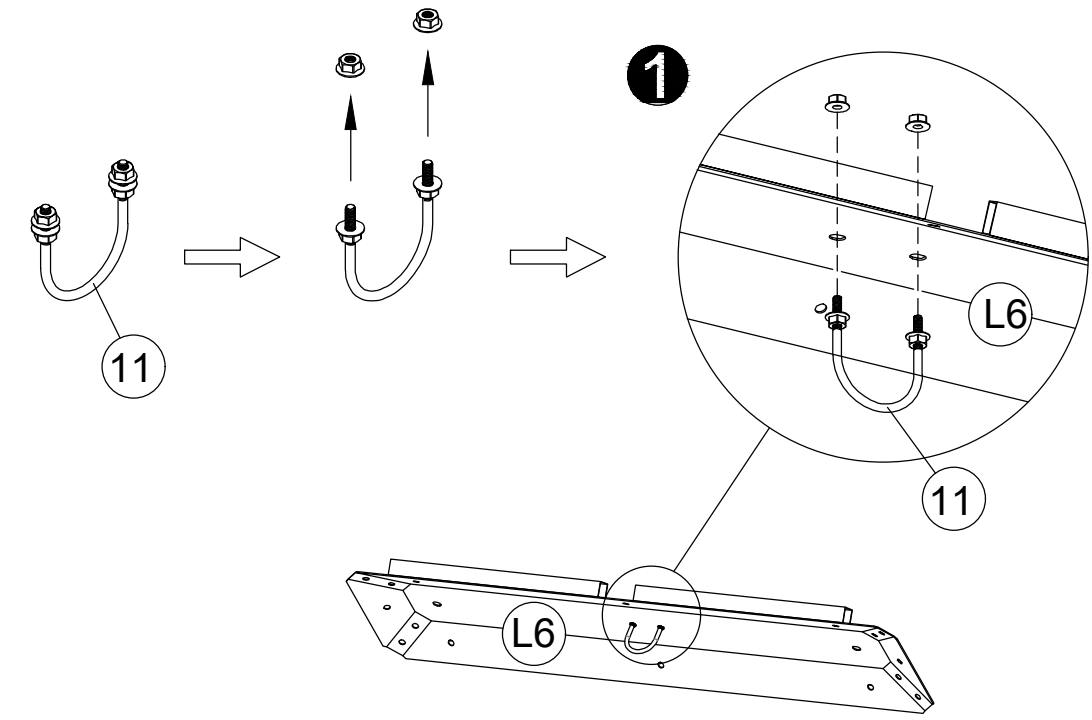


4





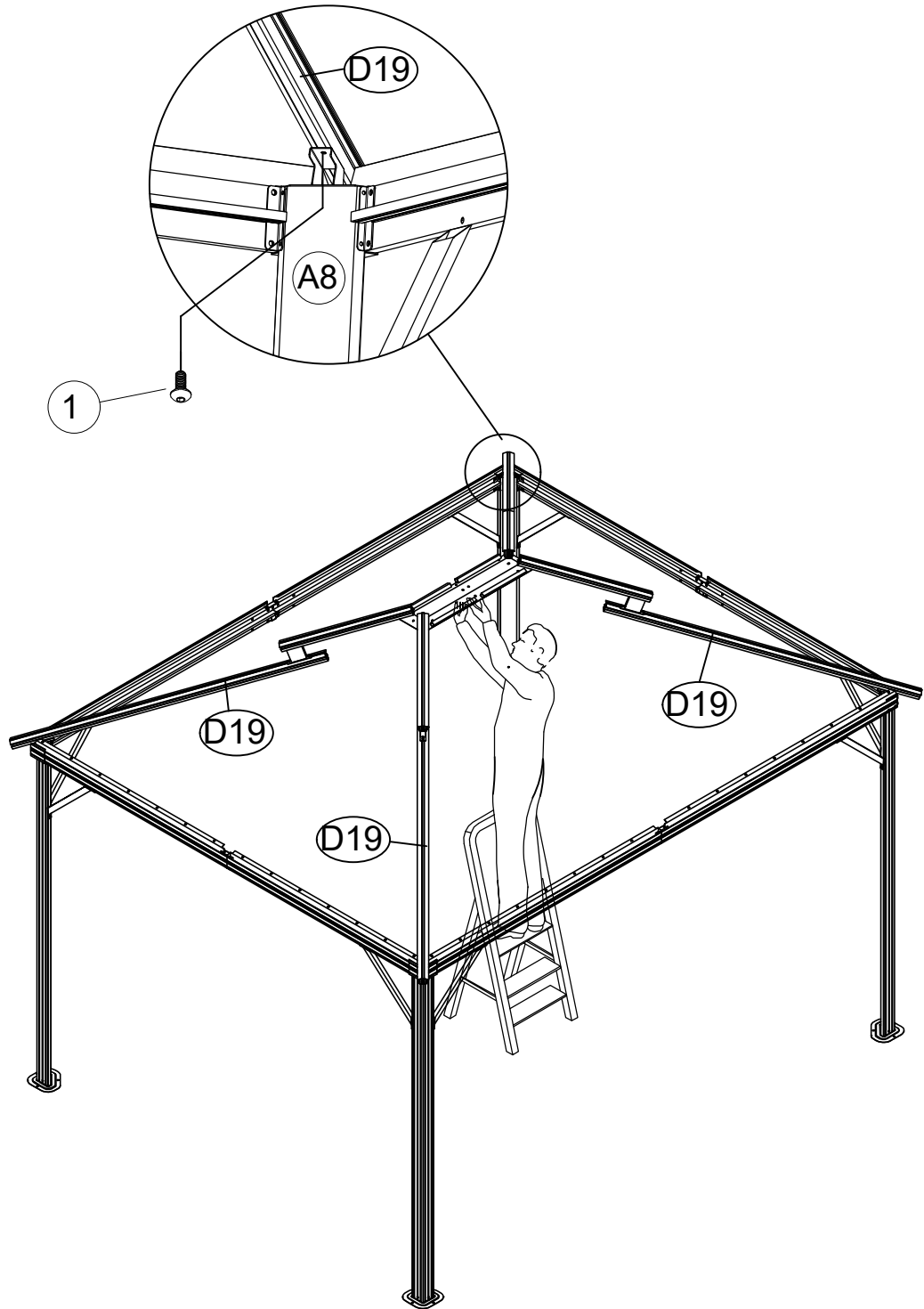
<6>





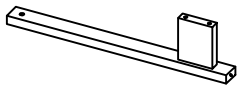
<7>

1 M6x15
4x

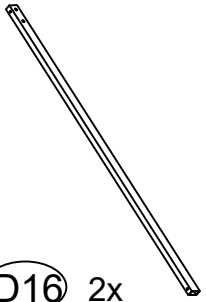


Note:

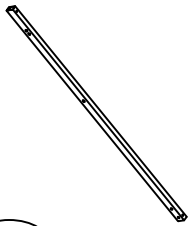
1. Let one person stand on the ladder to lift "L6" and hold and let others fasten the screws connecting both ends of "D19".
2. Please do not let go of holding "L6" until all the "D19" screws are installed.



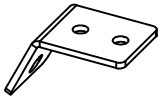
D15 4x



D16 2x



D17 2x

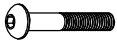


Q1 4x



M6x15

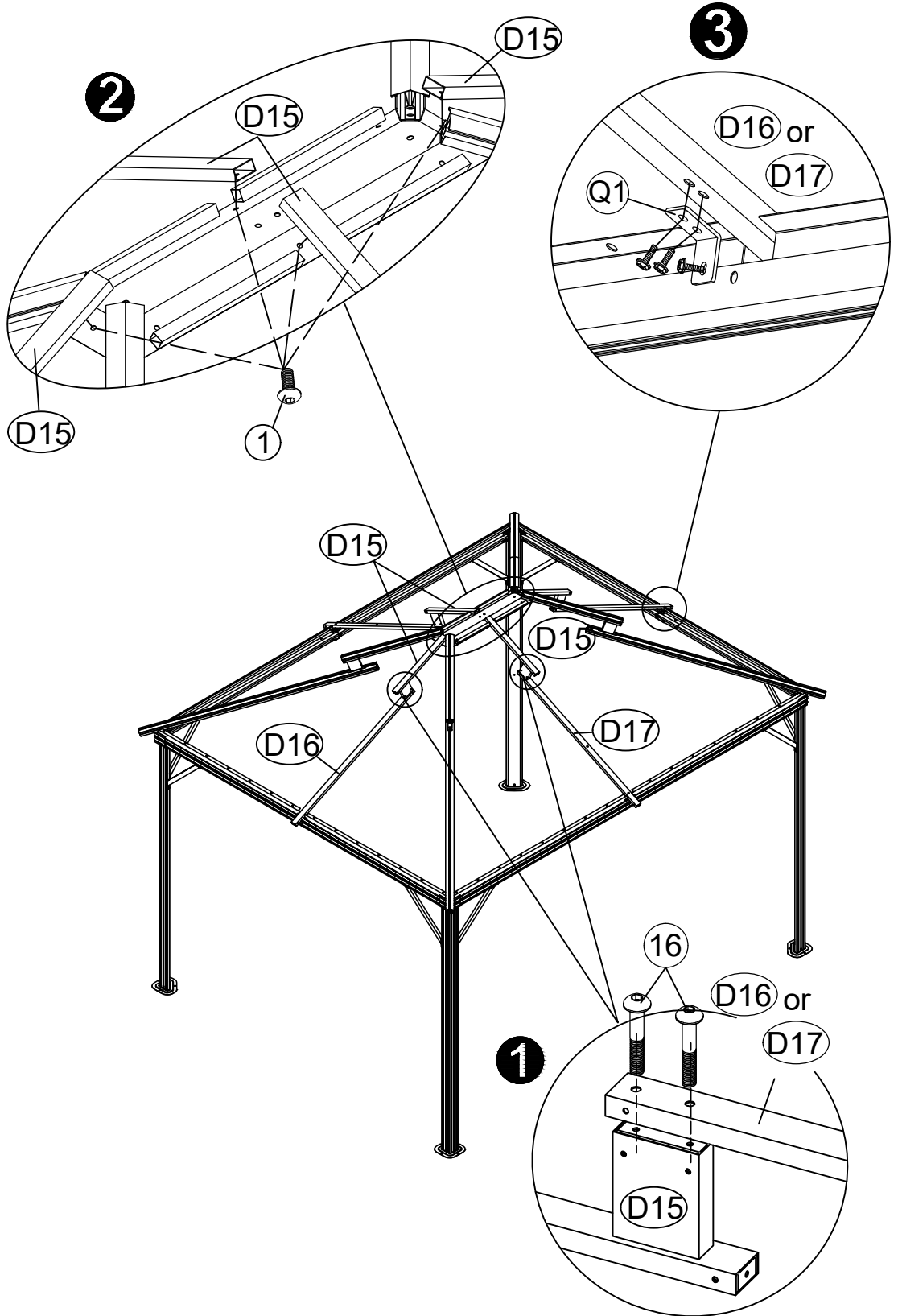
1 16x



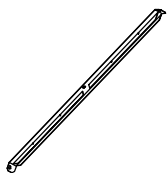
M6x35

16 8x

<8>



<9>



G1 2x



G9 2x

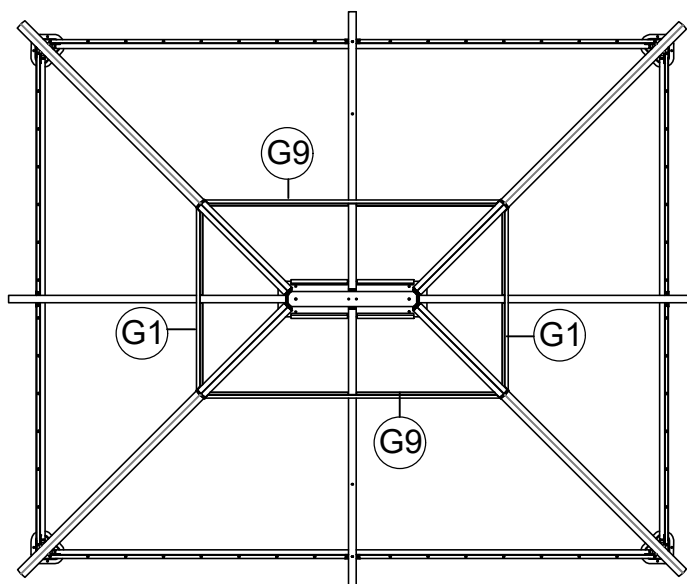
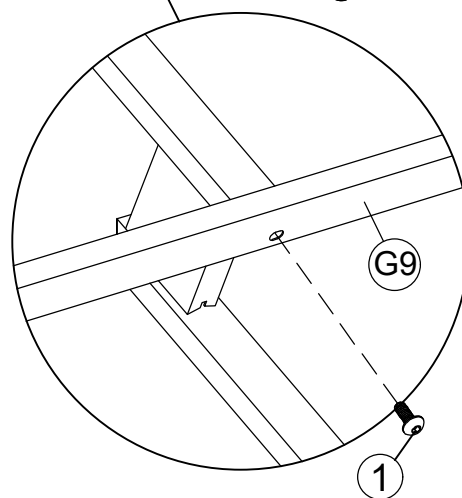
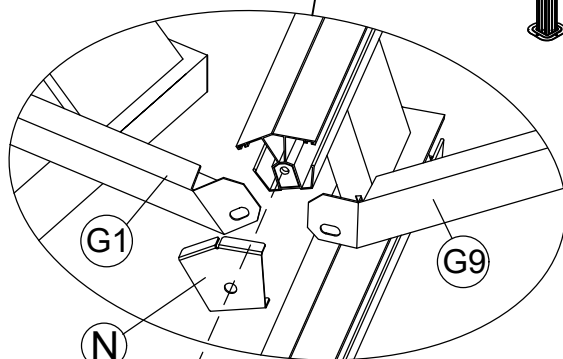
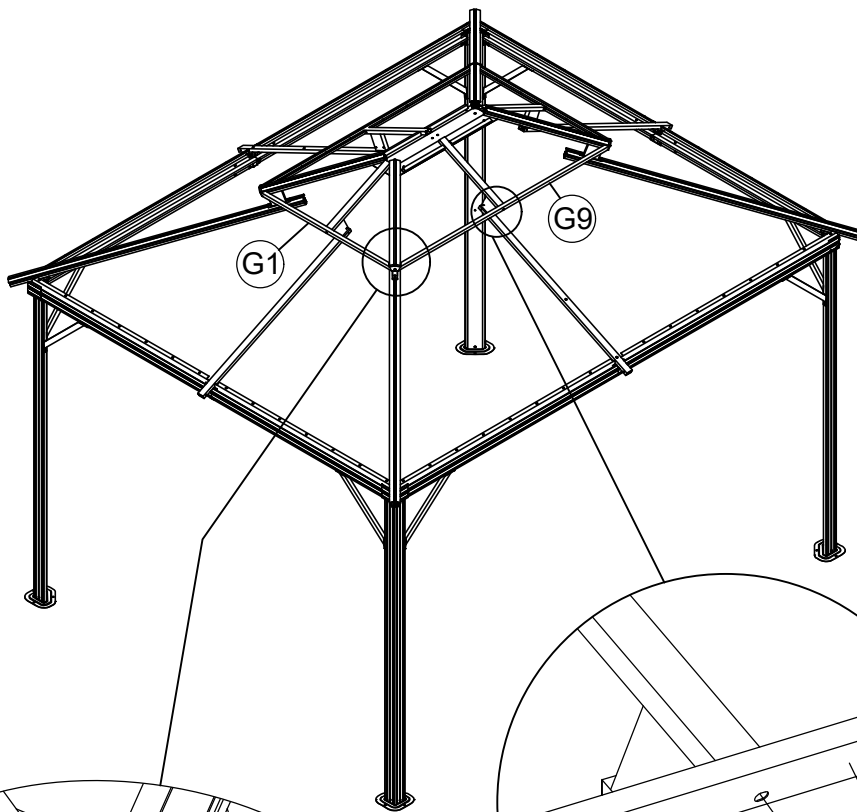


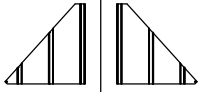
N 4x



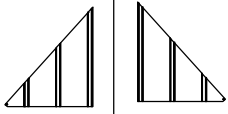
M6x15

1 8x

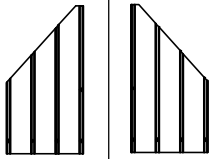




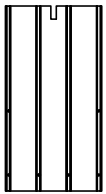
S1 2x S2 2x



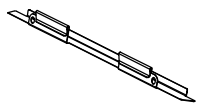
X1 2x X2 2x



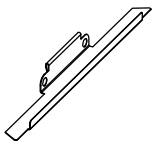
X13 2x X14 2x



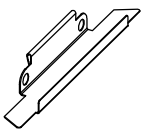
X17 2x



Z 24x

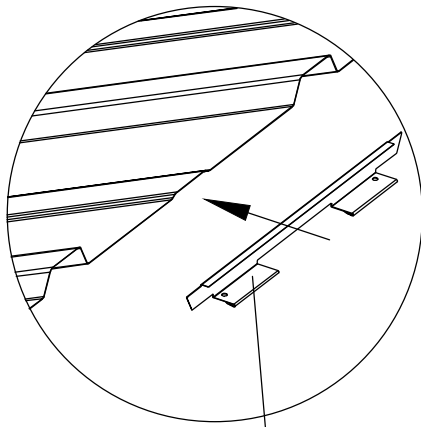


Z1 8x

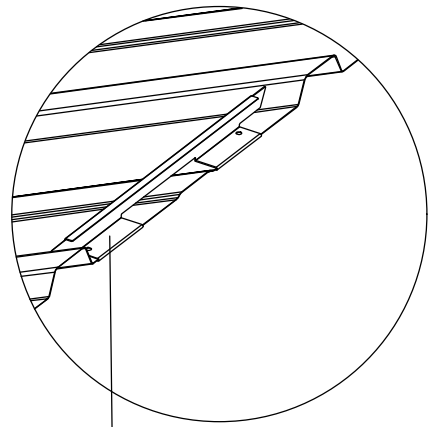
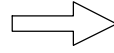


Z2 4x

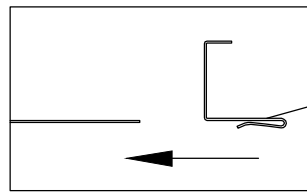
<10>



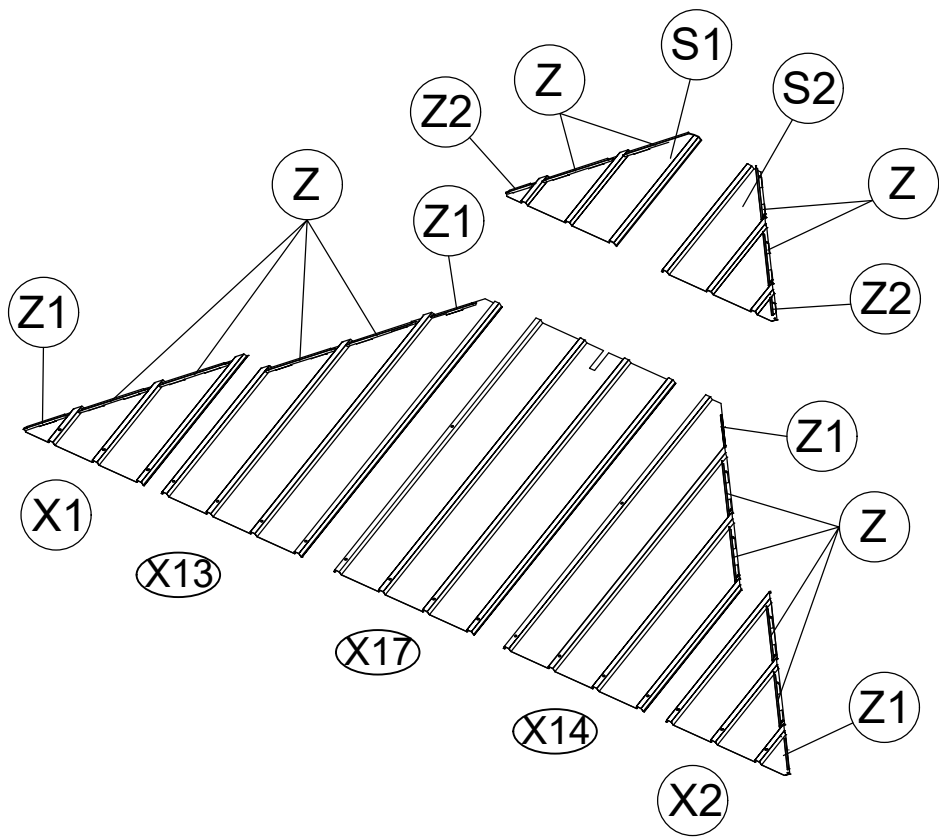
Z or Z1 or Z2



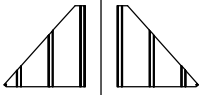
Z or Z1 or Z2



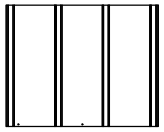
Z or Z1 or Z2



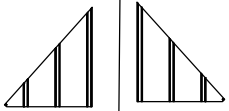
<11>



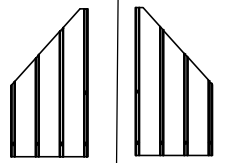
S1 2x S2 2x



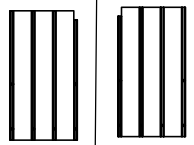
S3 2x



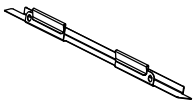
X1 2x X2 2x



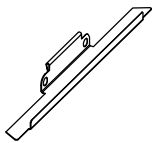
X13 2x X14 2x



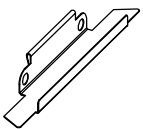
X15 2x X16 2x



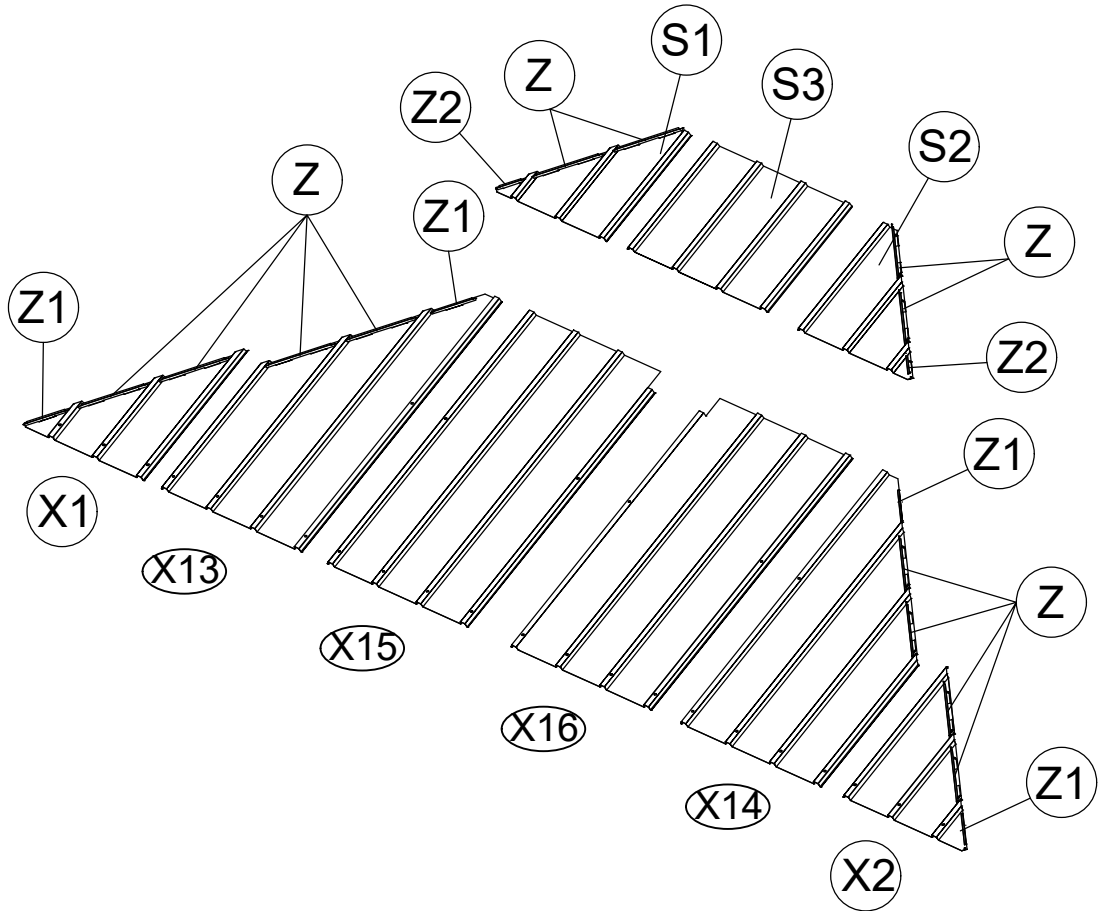
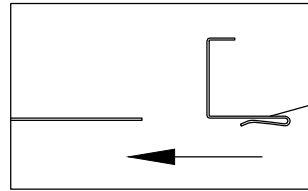
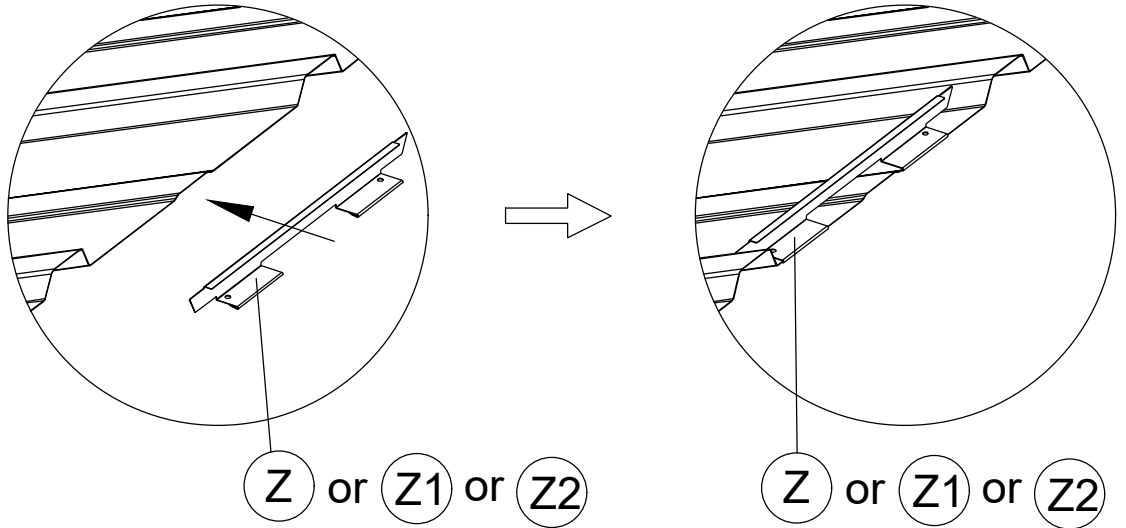
Z 24x



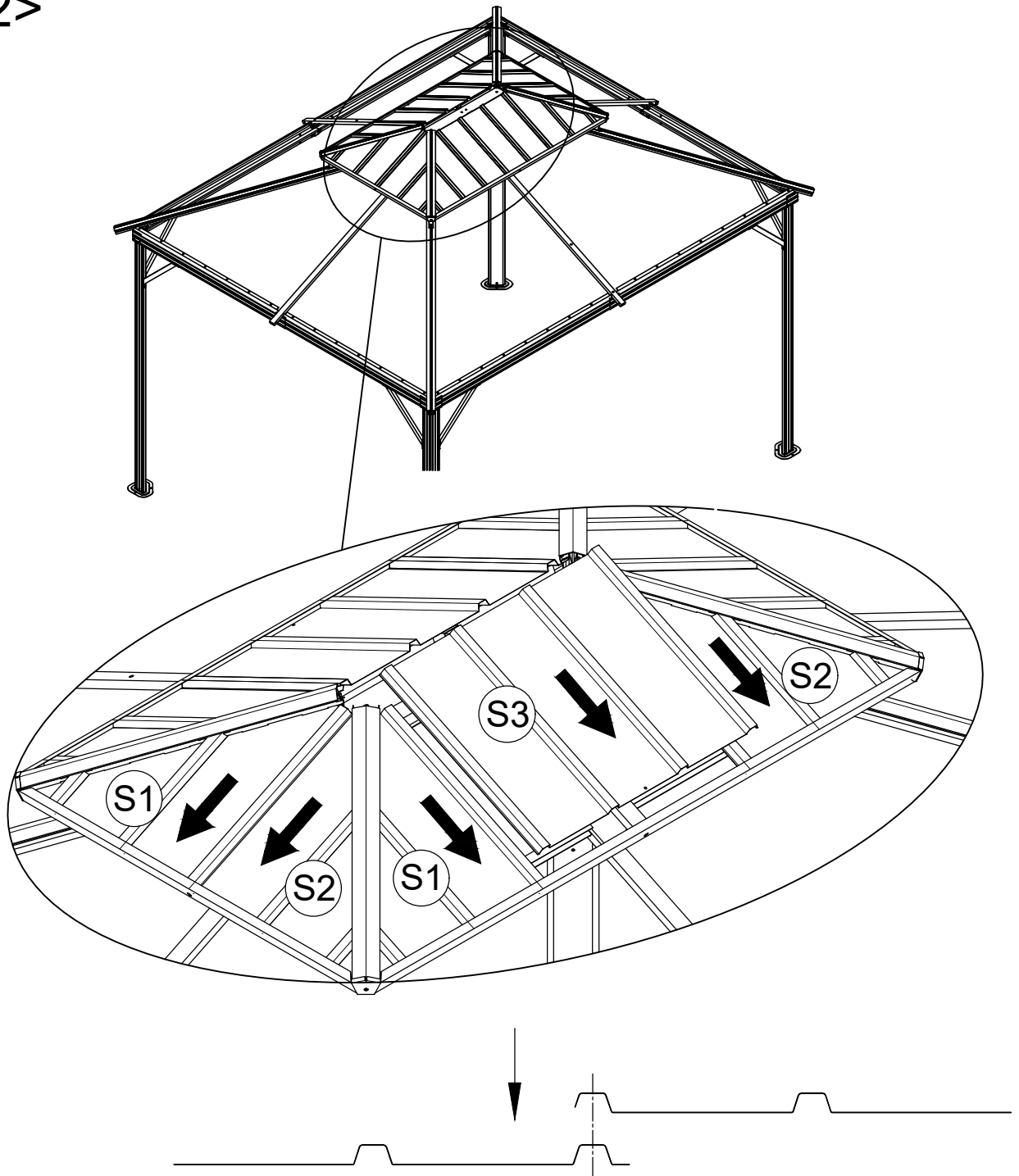
Z1 8x



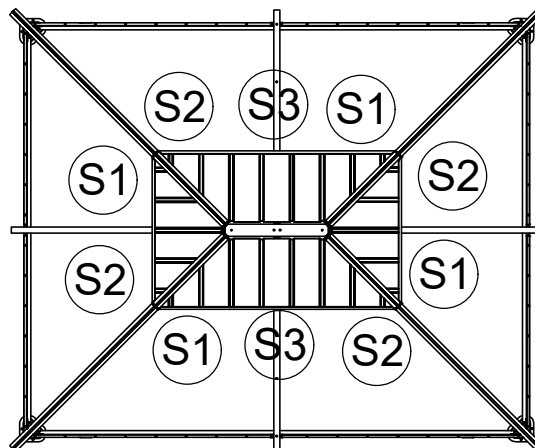
Z2 4x



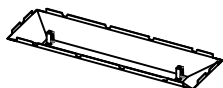
<12>



When installing the Roof plates (S2) onto short side, pls detach the right end of Roof Rib(G1) first. And then install the right end of Roof Rib (G1) again after S2 is installed.



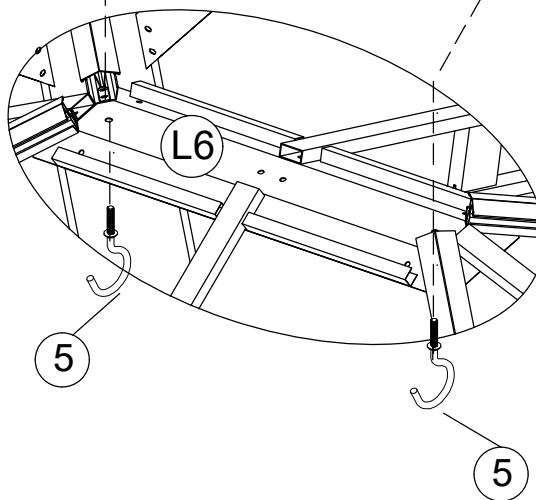
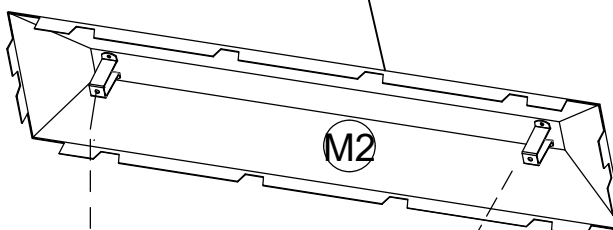
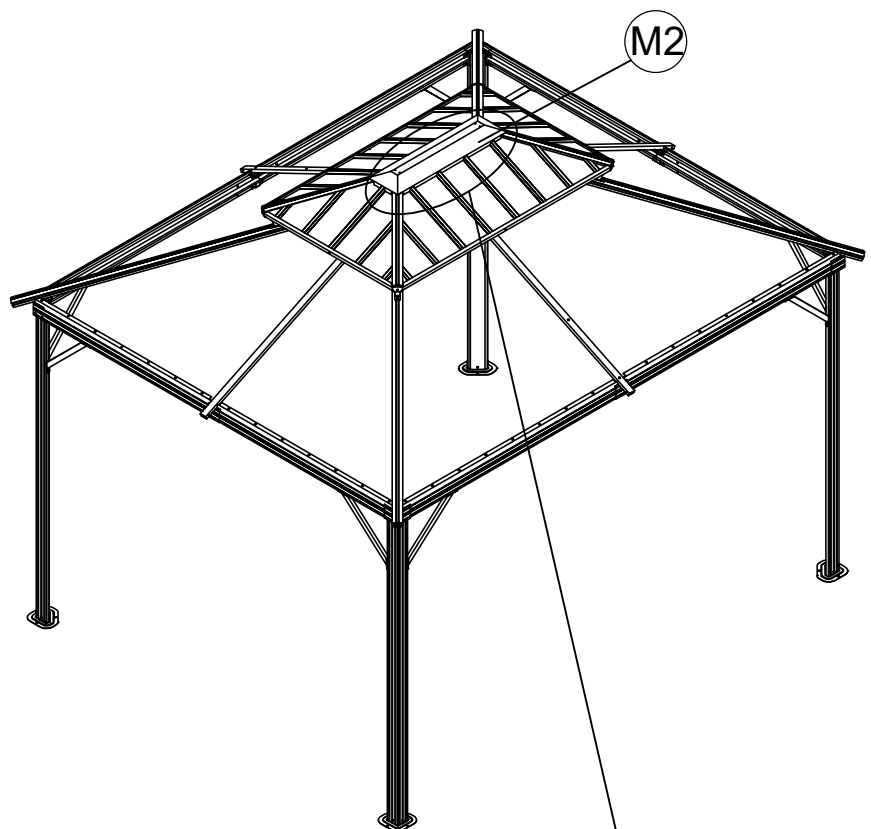
<13>



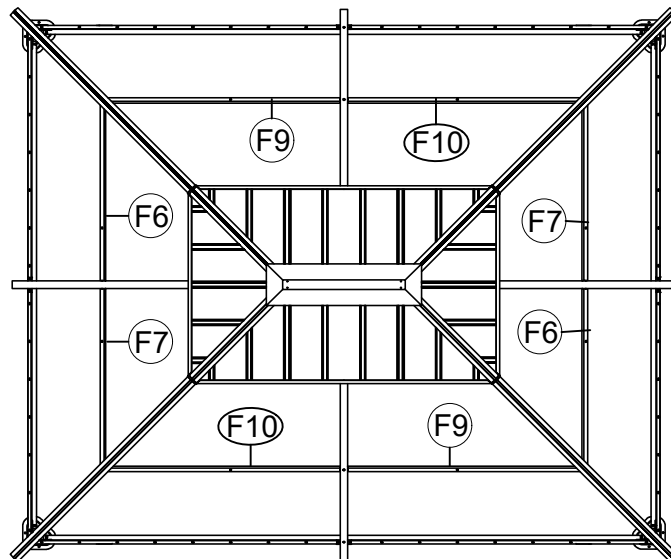
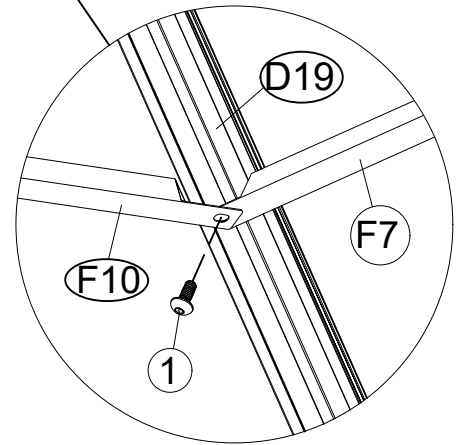
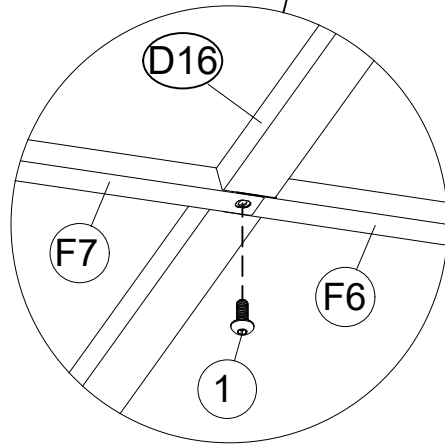
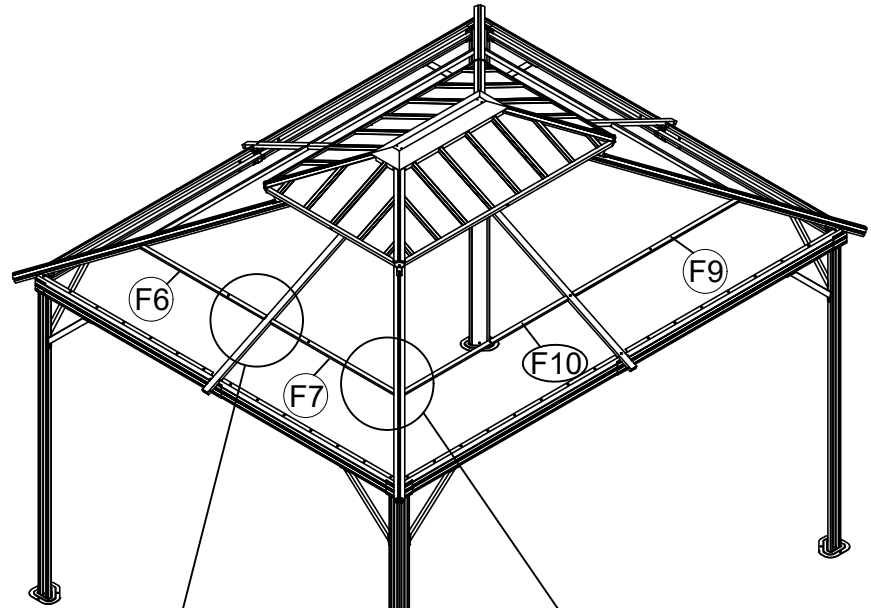
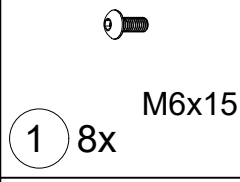
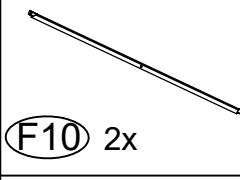
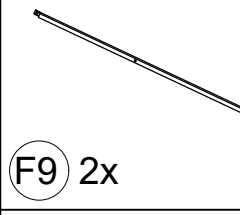
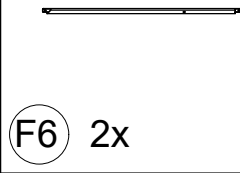
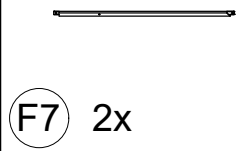
M2 1x



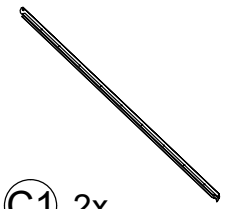
5 2x



<14>



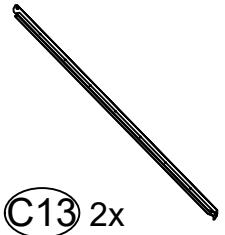
<15>



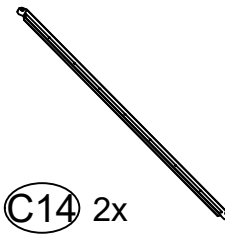
C1 2x



C2 2x



C13 2x



C14 2x



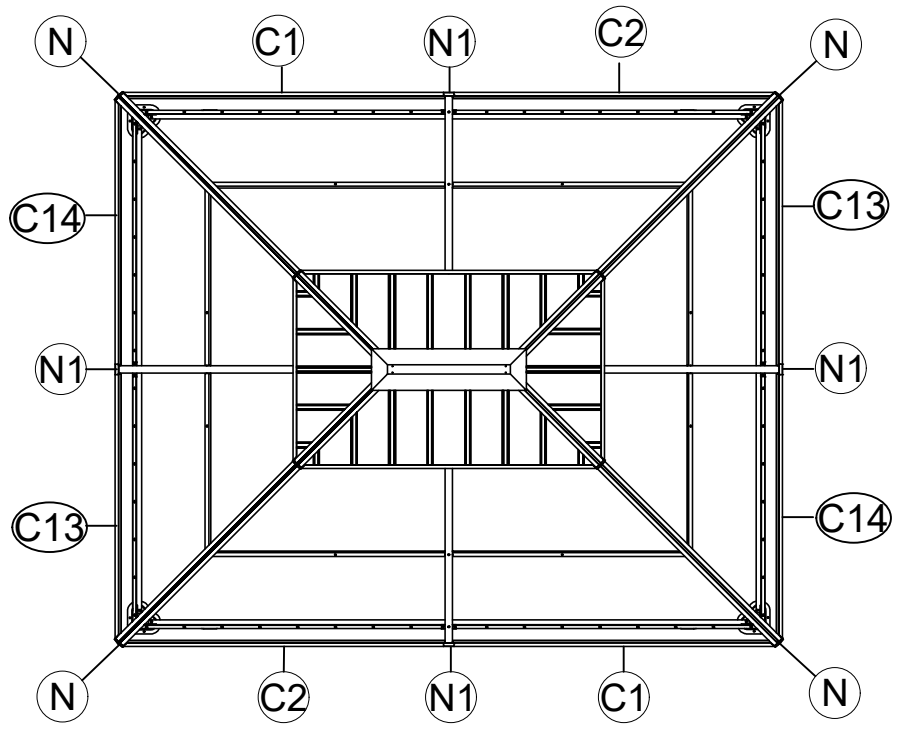
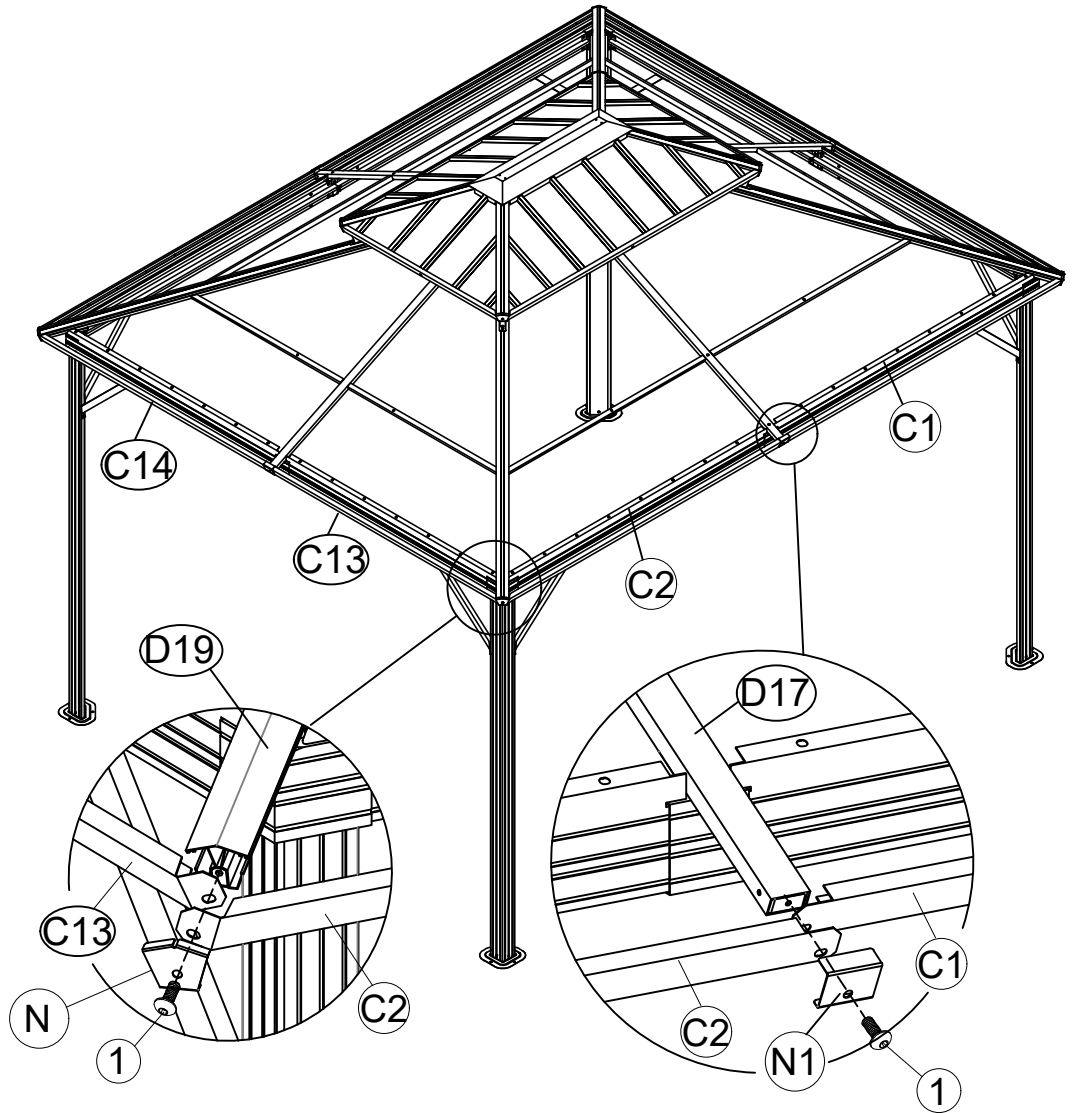
N 4x



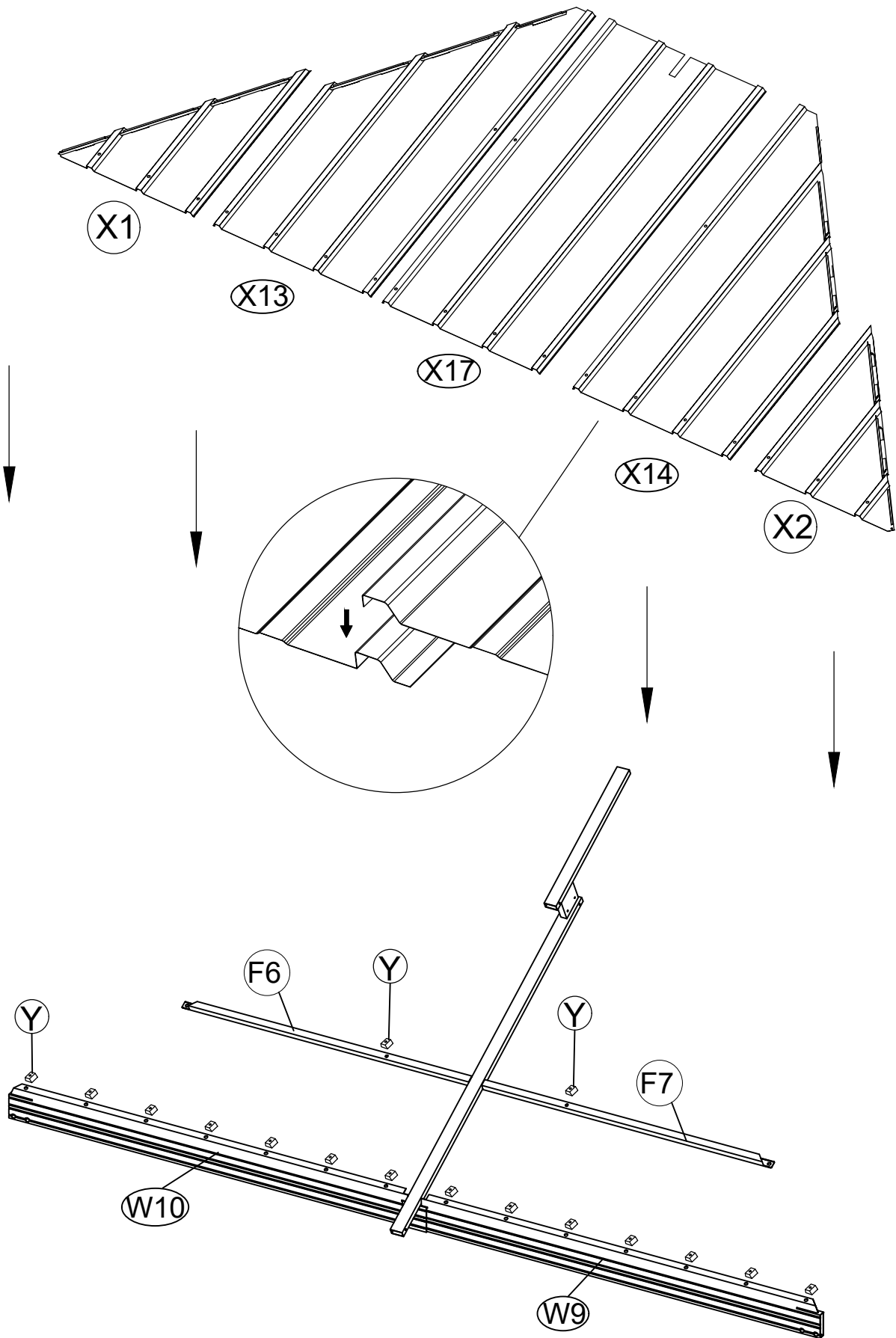
N1 4x



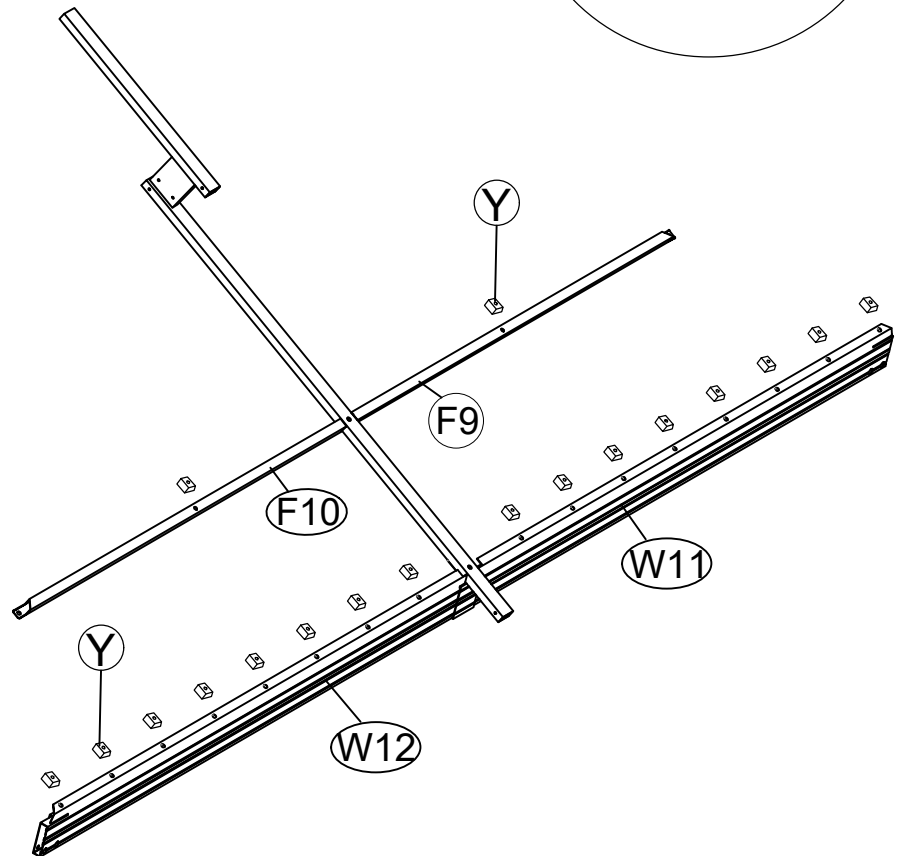
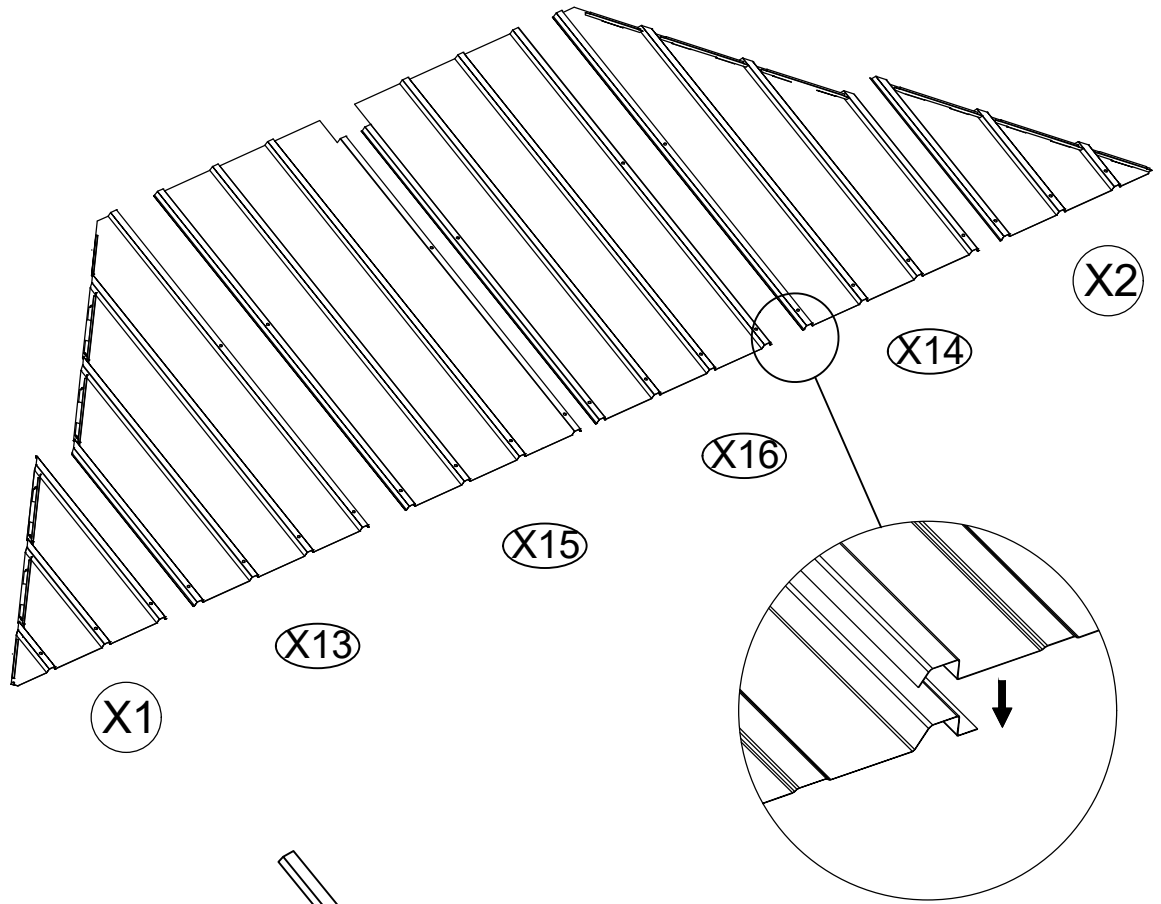
1 8x M6x15



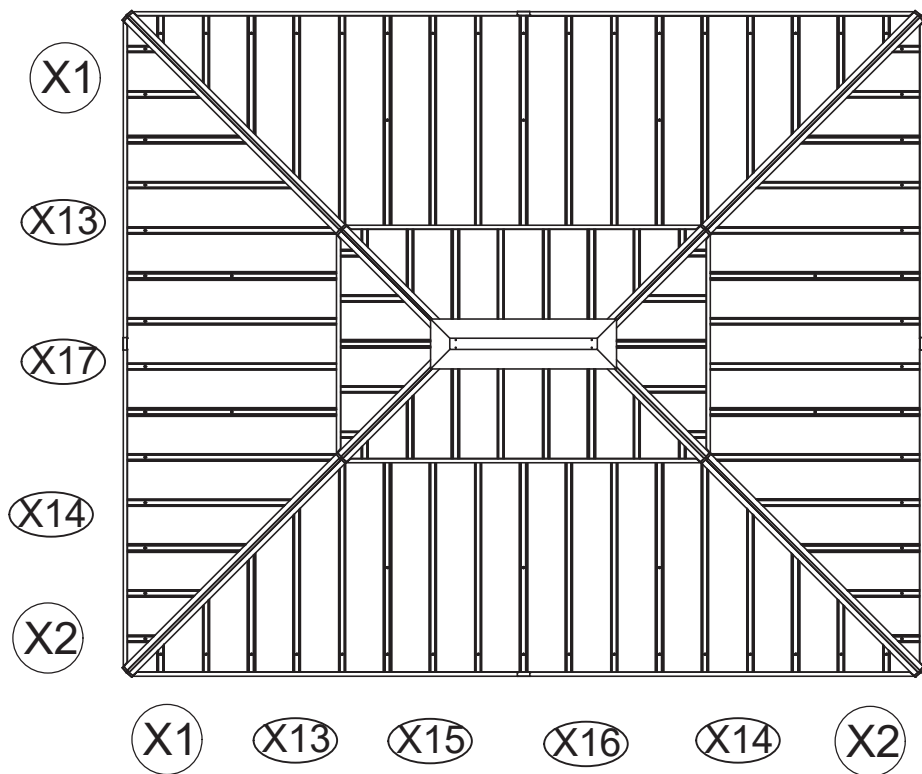
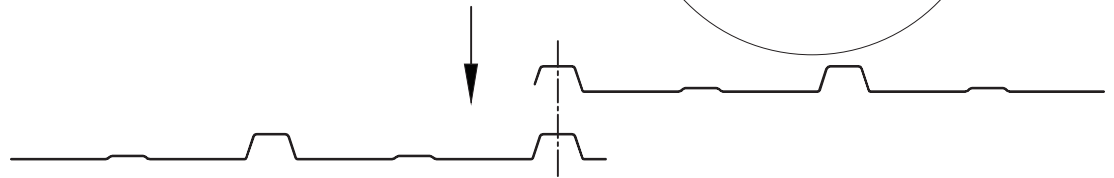
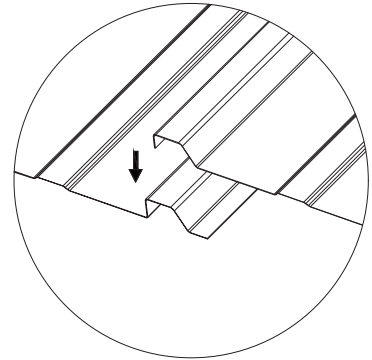
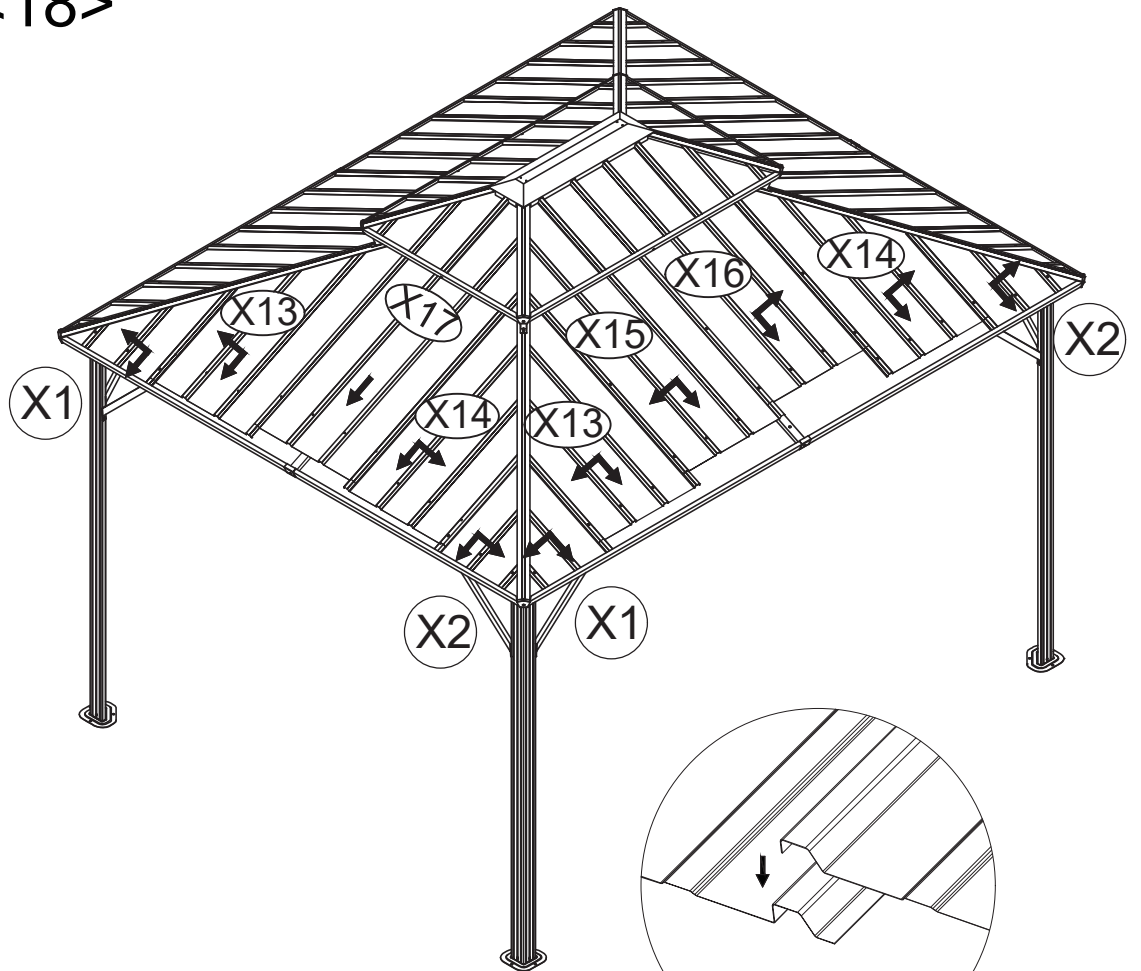
<16>



<17>



<18>





Y 68x



M6x25

3 4x



M6x23

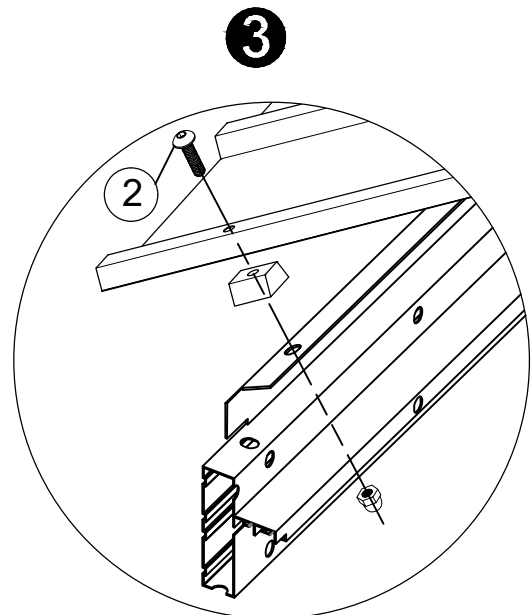
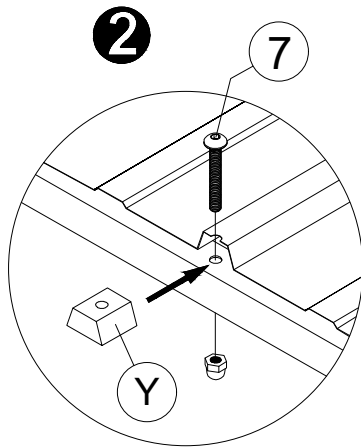
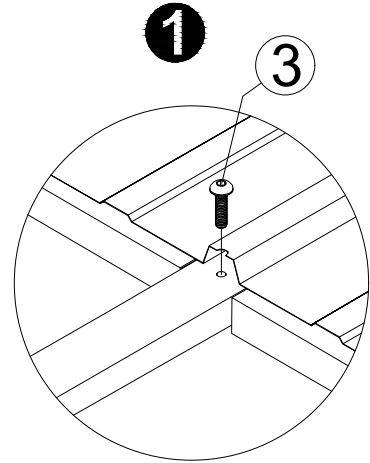
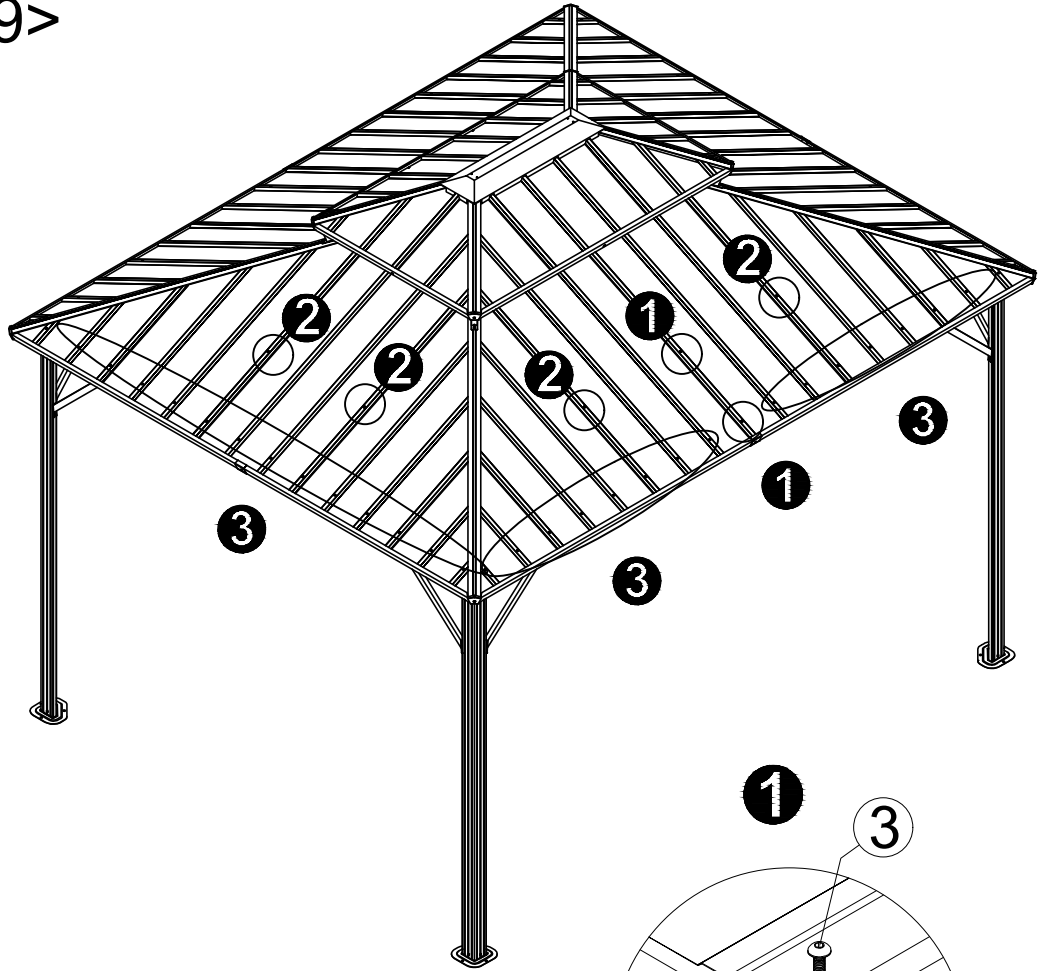
2 60x



M6x45

7 8x

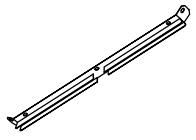
<19>



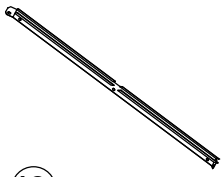
Note: When installing the roof top plates, if the roof plates are slightly uneven, pls press the screws from the top of the plates until the bottom screw thread is exposed by 3 to 4mm, and then screw on the nut.

<20>

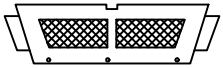
1



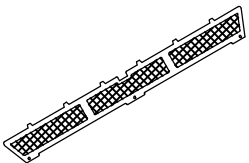
I1 2x



I9 2x



V1 2x



V6 2x



N 4x



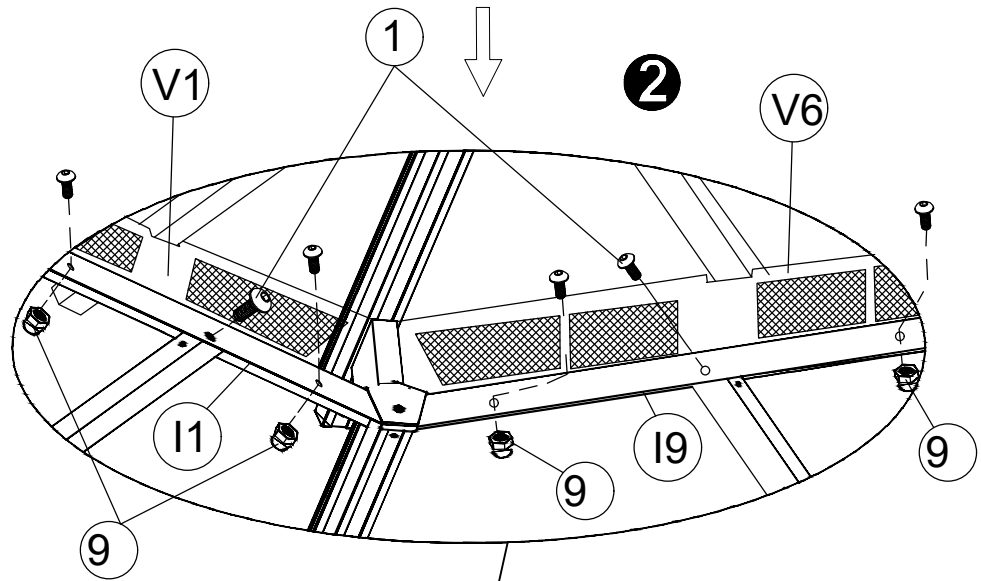
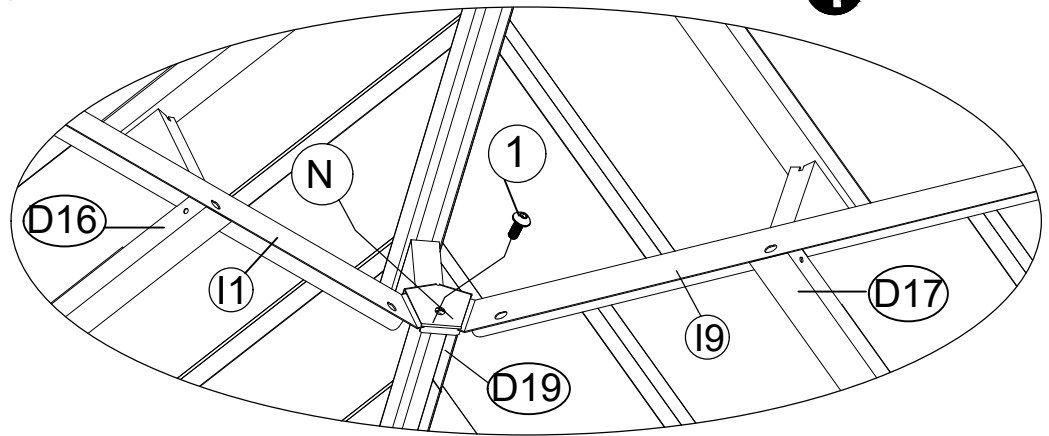
M6x15

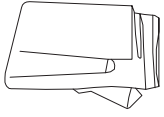
1 8x



M6x10

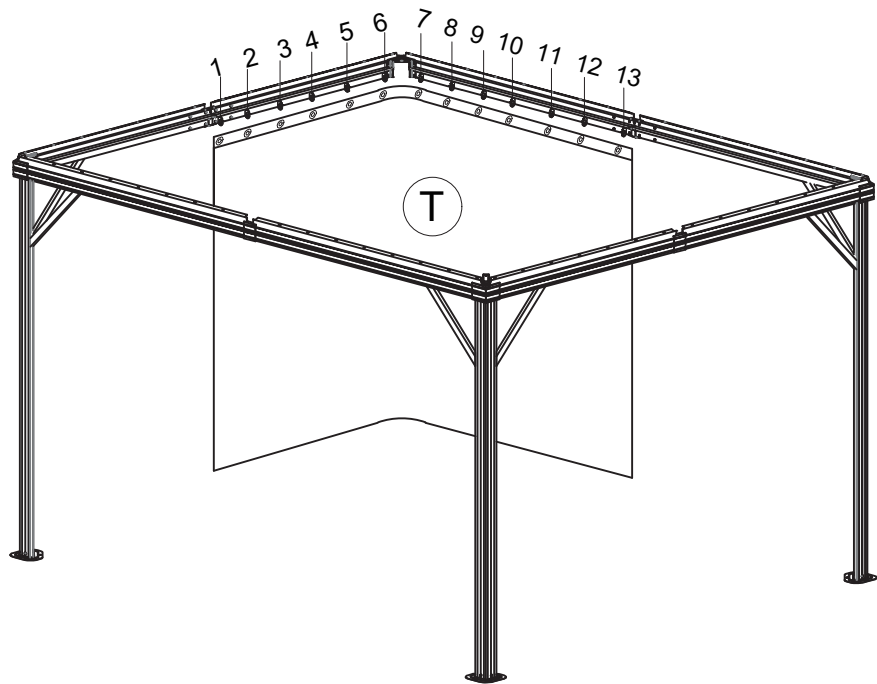
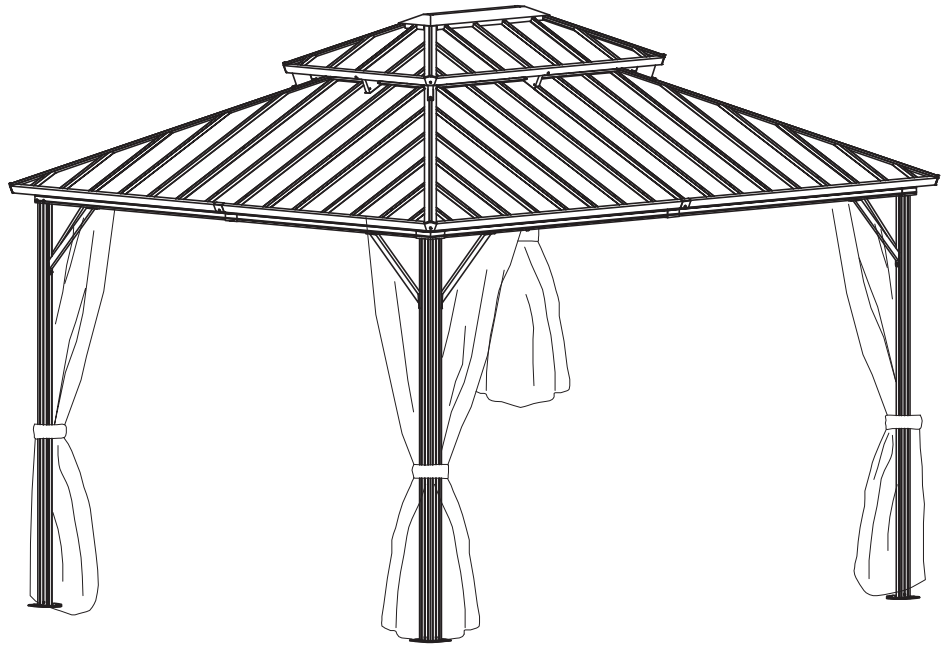
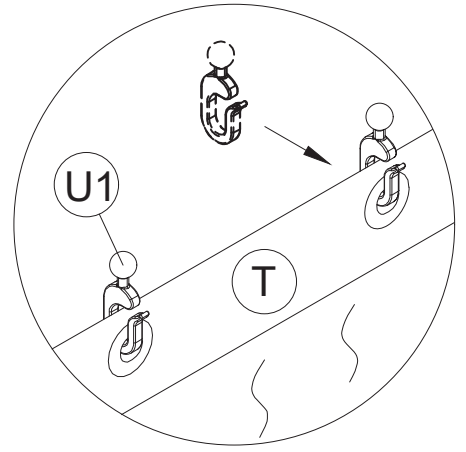
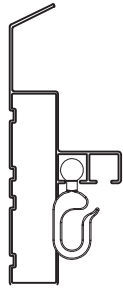
9 8x

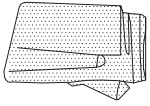




<21>

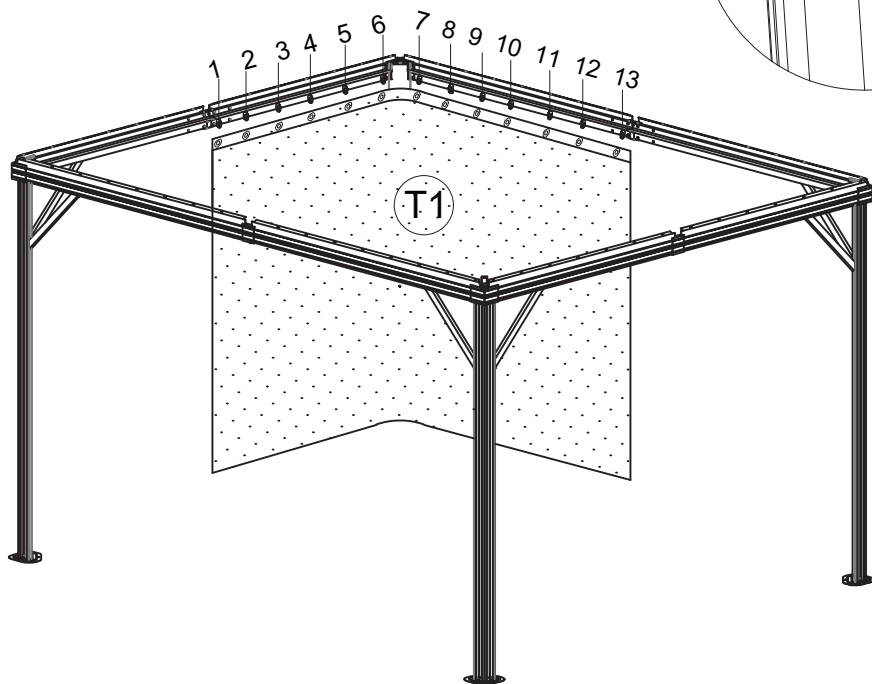
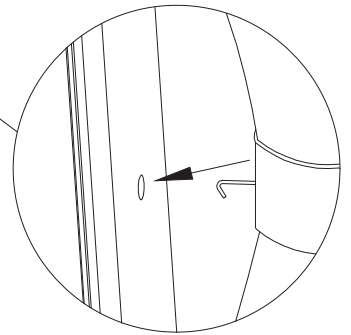
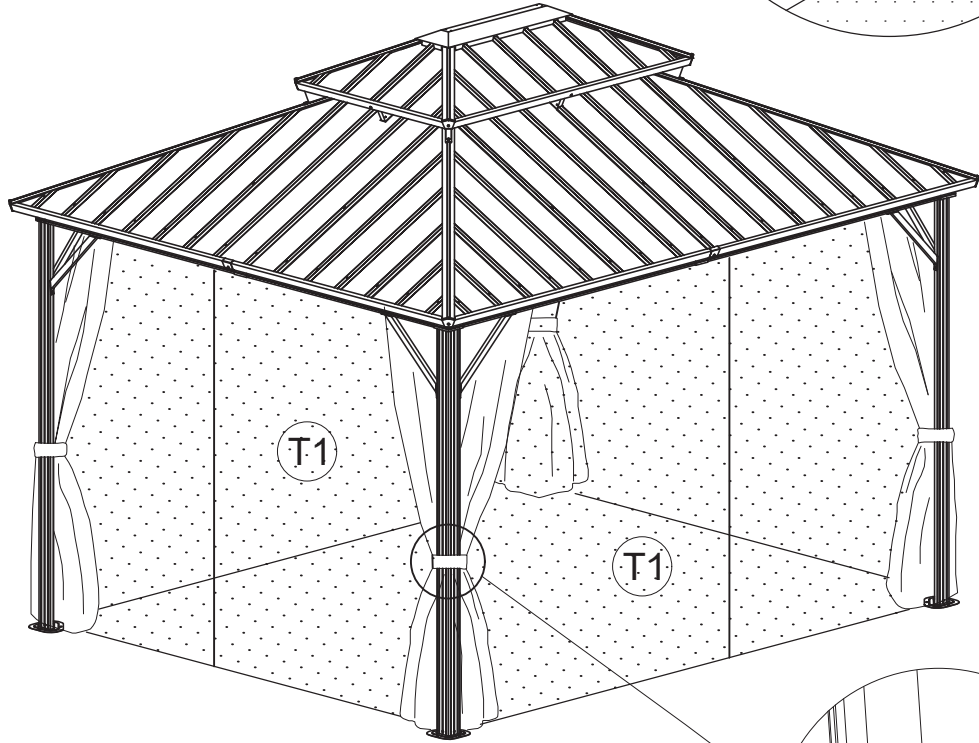
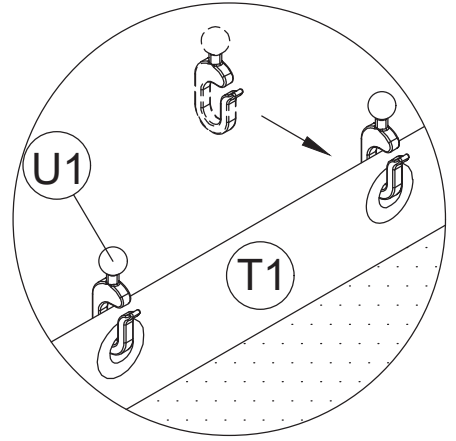
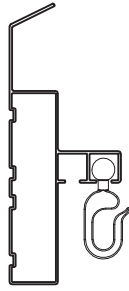
T 4x





T1 4x

<22>



Carton-1/2		Carton-1/2		Carton-2/2	
Part	Qty	Part	Qty	Part	Qty
A8	4	Y	68	X1	4
D16	2	U1	104	X2	4
D17	2	Z	48	X13	4
D15	4	Z1	16	X14	4
D19	4	Z2	8	X15	2
C1	2	1.2.3.4.5.6.7.8.9.10. 11.12.13.14.15.16	1	X16	2
C2	2			X17	2
W11	2			S1	4
W12	2			S2	4
C13	2			S3	2
C14	2			W9	2
G9	2			W10	2
F6	2			D8	4
F7	2			I1	2
F9	2			I9	2
F10	2			G1	2
O	8			V1	2
J	4			V6	2
K1	4			T	4
K2	4			T1	4
V	4				
Q1	4				
Q5	8				
Q6	4				
N	12				
N1	4				
L6	1				
M2	1				
P1	4				