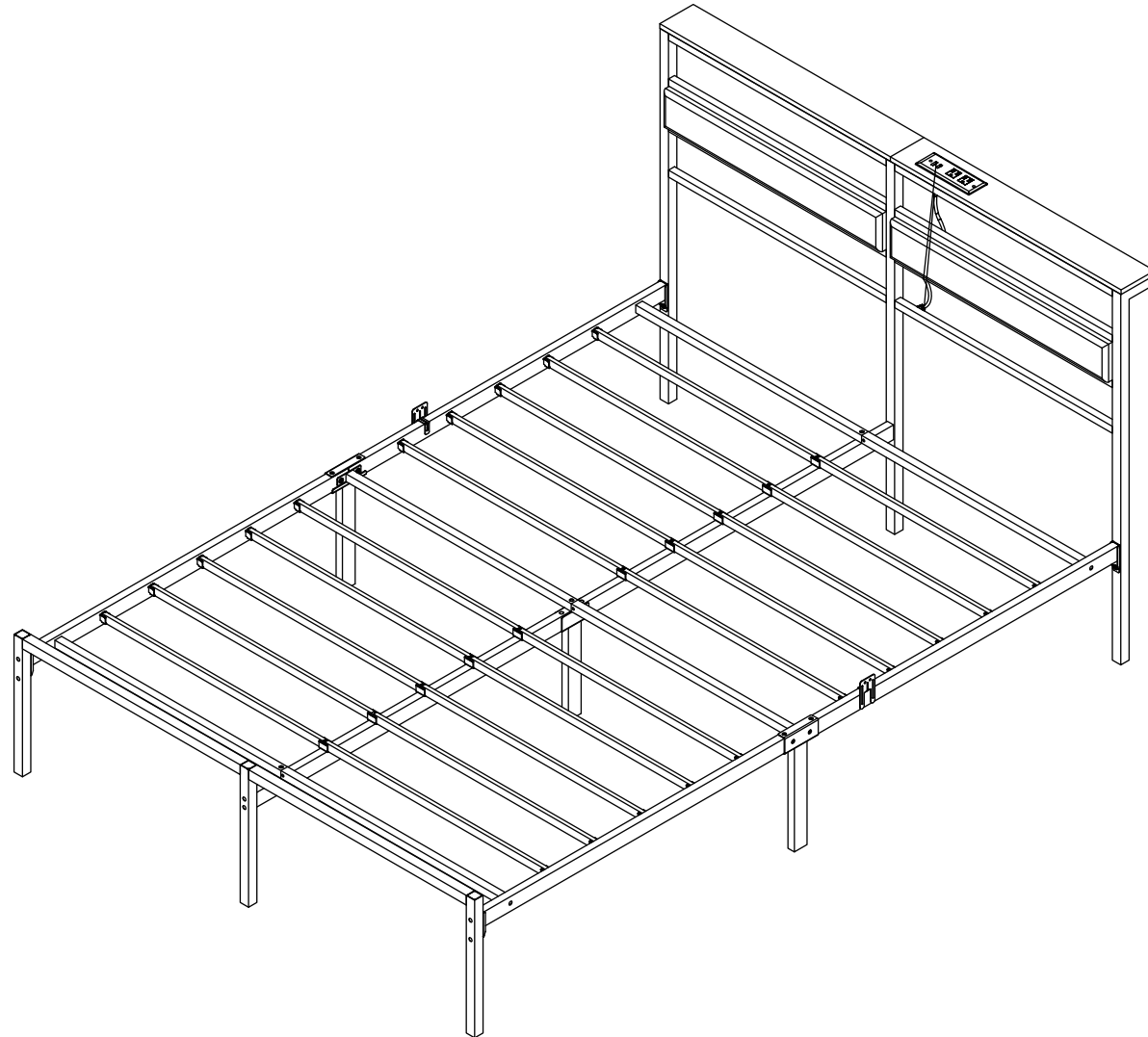


# User Manual



# Before Assembly

Please read the **USER MANUAL** thoroughly for quick assembly, and check accessories list.



## Team Installation:

For larger product, we recommend that you install the product together with other people.



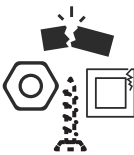
## Laying Protection:

To protect the product and your flooring during installation, please lay protection before installation.



## No Electric Drill:

For longer use, please use the installation tools supplied with the product.



## Missing Parts or Broken:

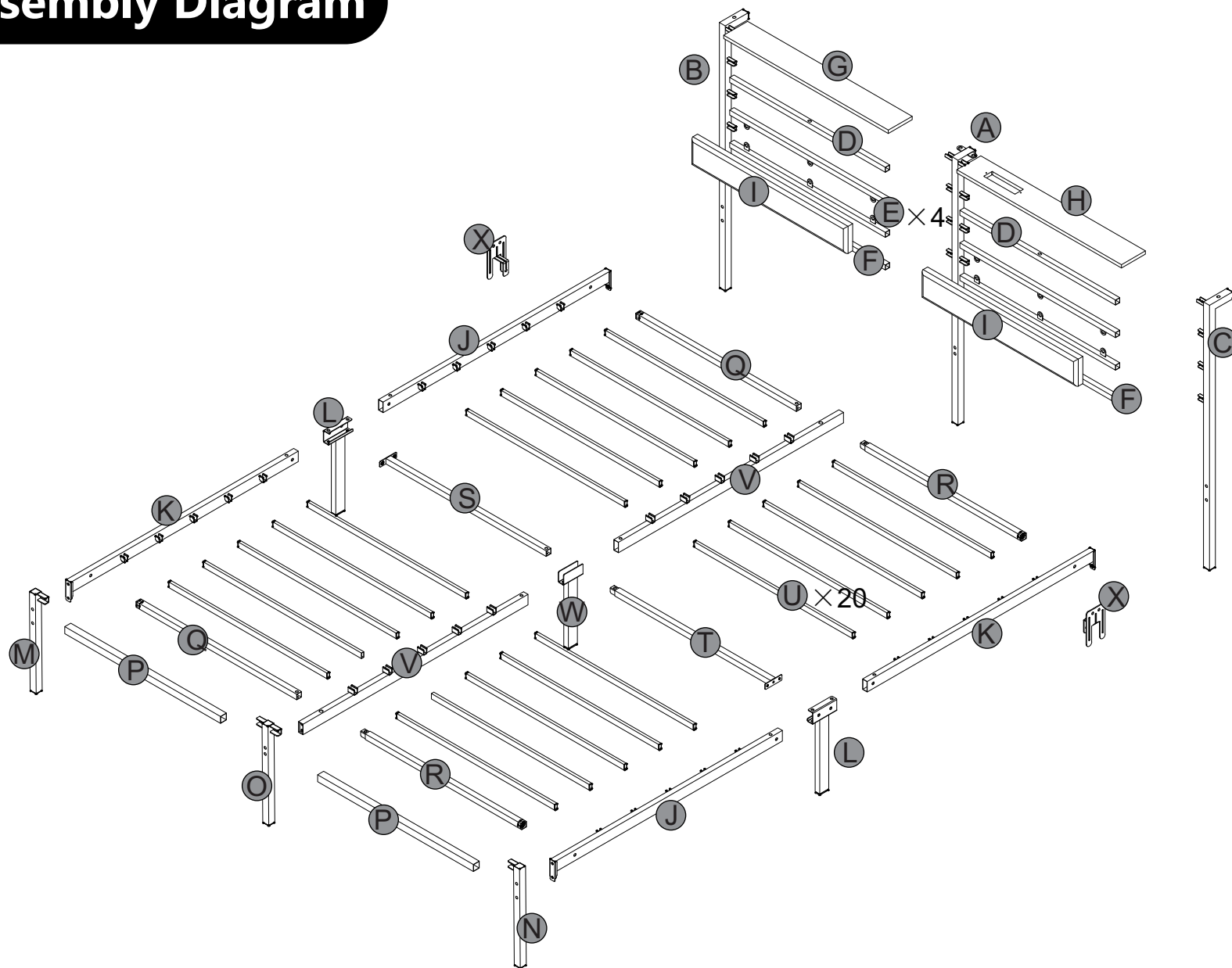
Please feel free to contact us via [Orders or Customer Support Email](#). We promise to ship the missing or replacement parts to you free of charge.



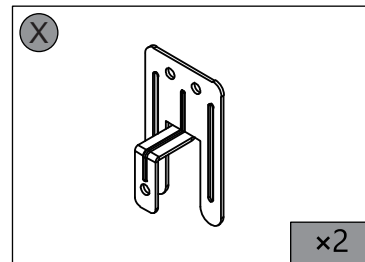
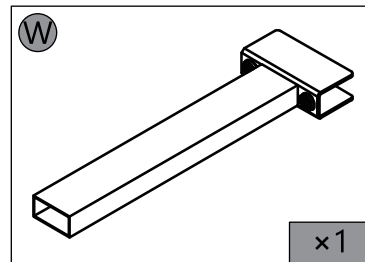
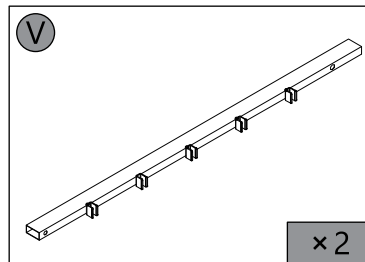
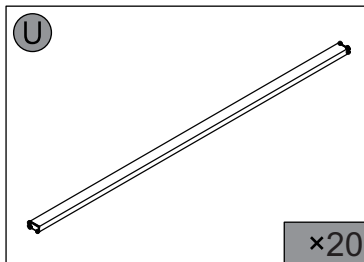
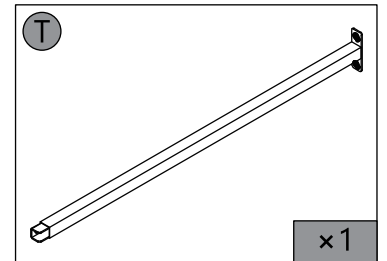
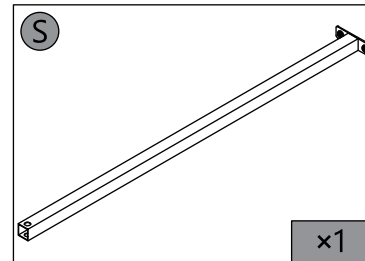
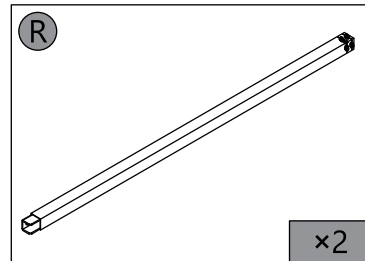
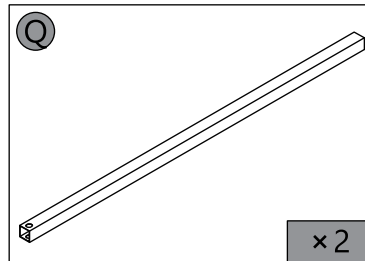
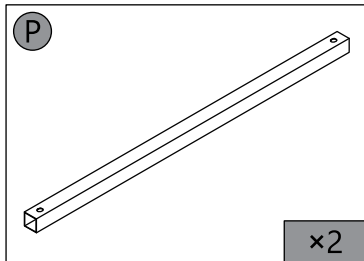
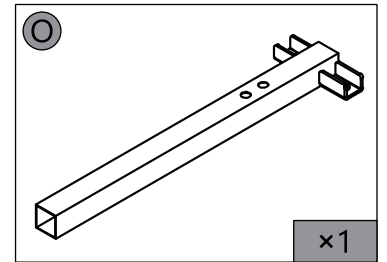
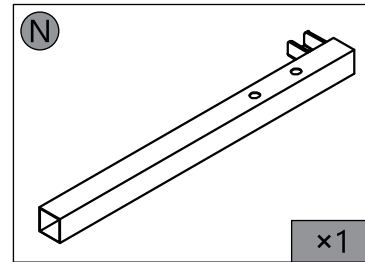
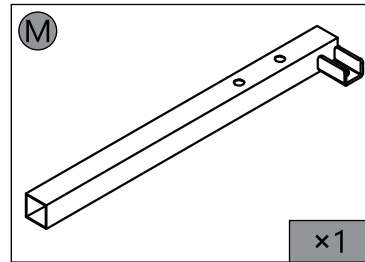
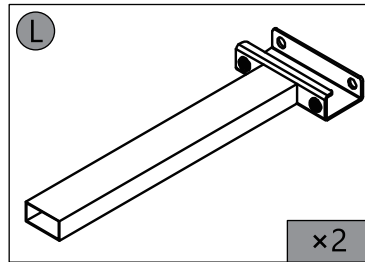
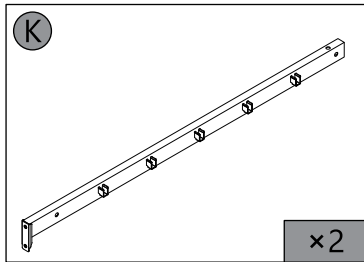
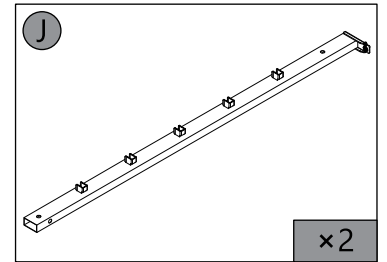
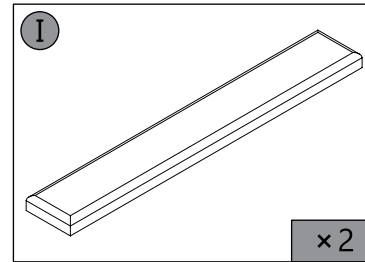
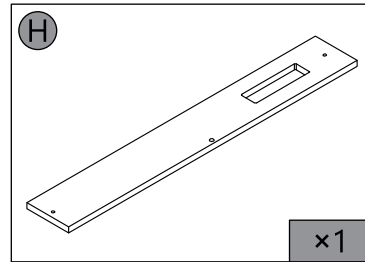
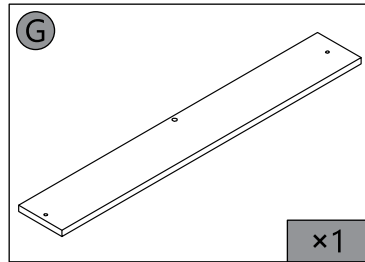
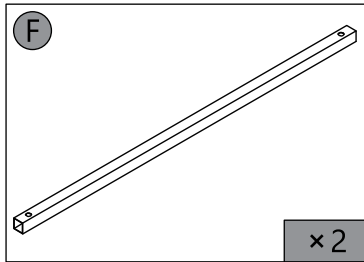
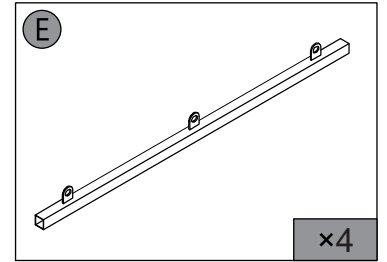
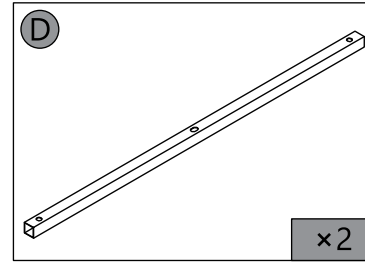
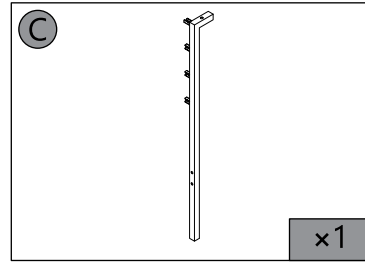
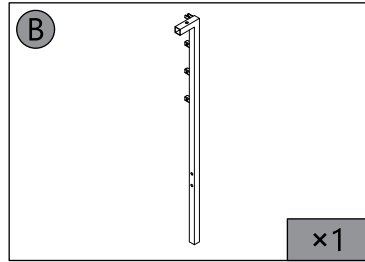
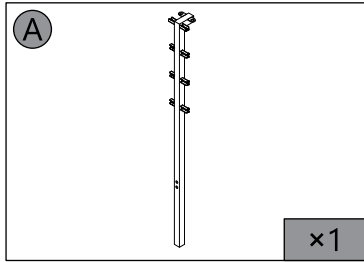
**Any questions?**

**Please do not hesitate to contact us!**

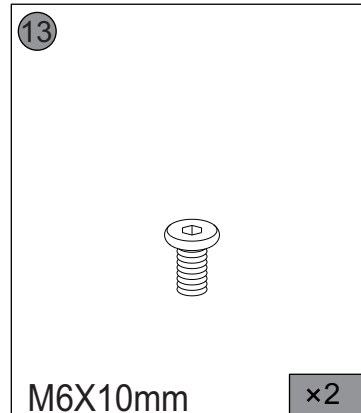
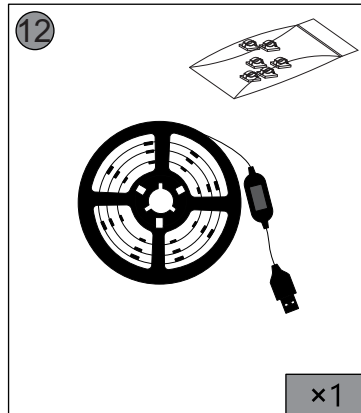
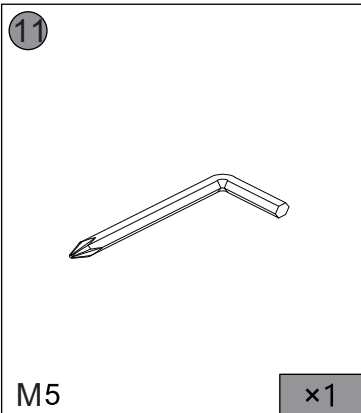
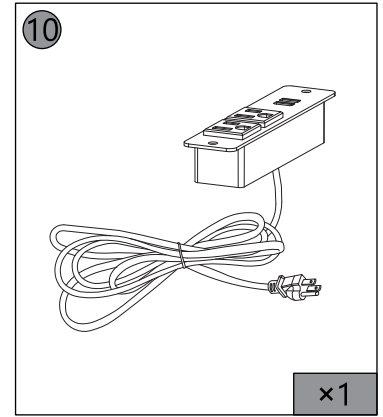
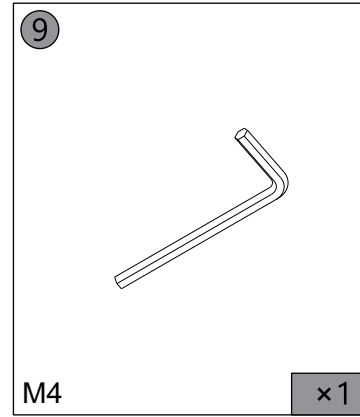
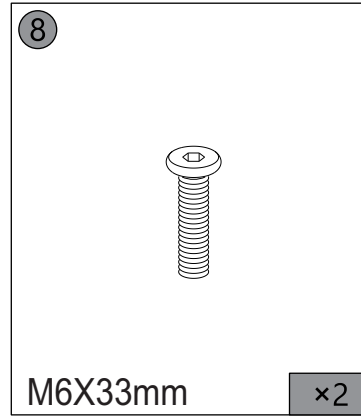
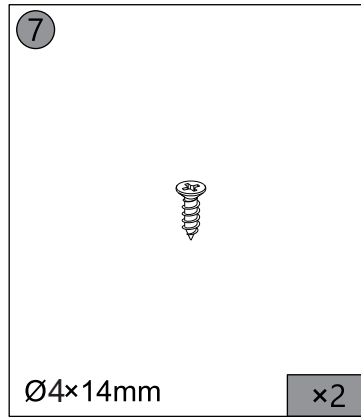
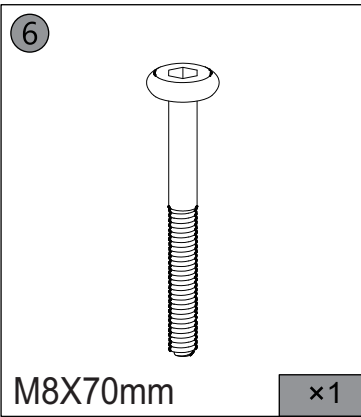
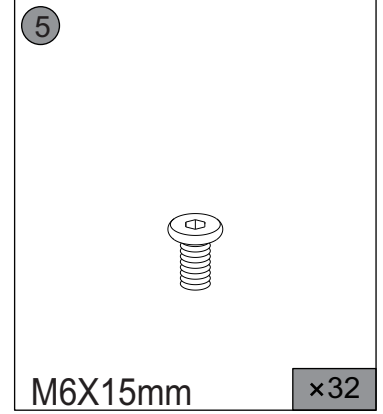
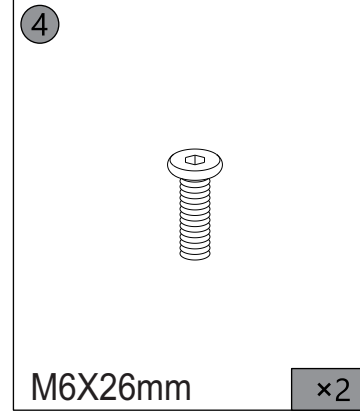
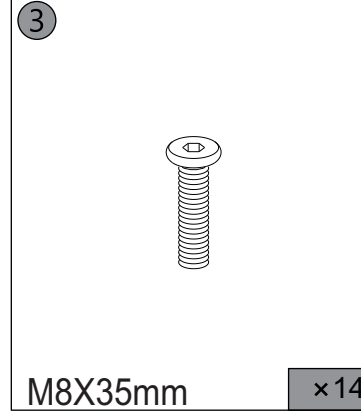
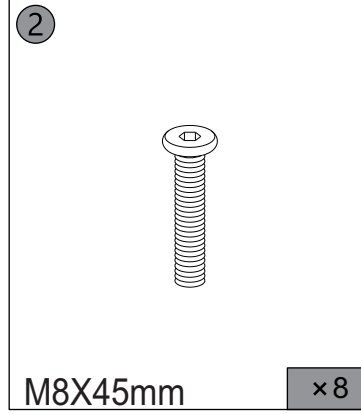
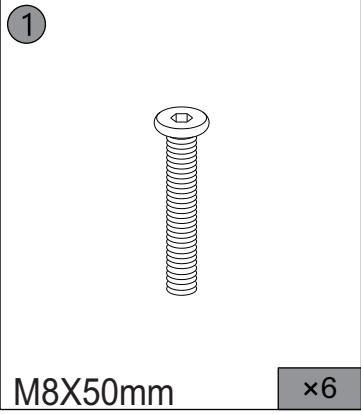
# Disassembly Diagram



# Accessories



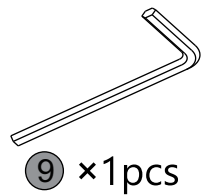
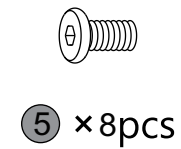
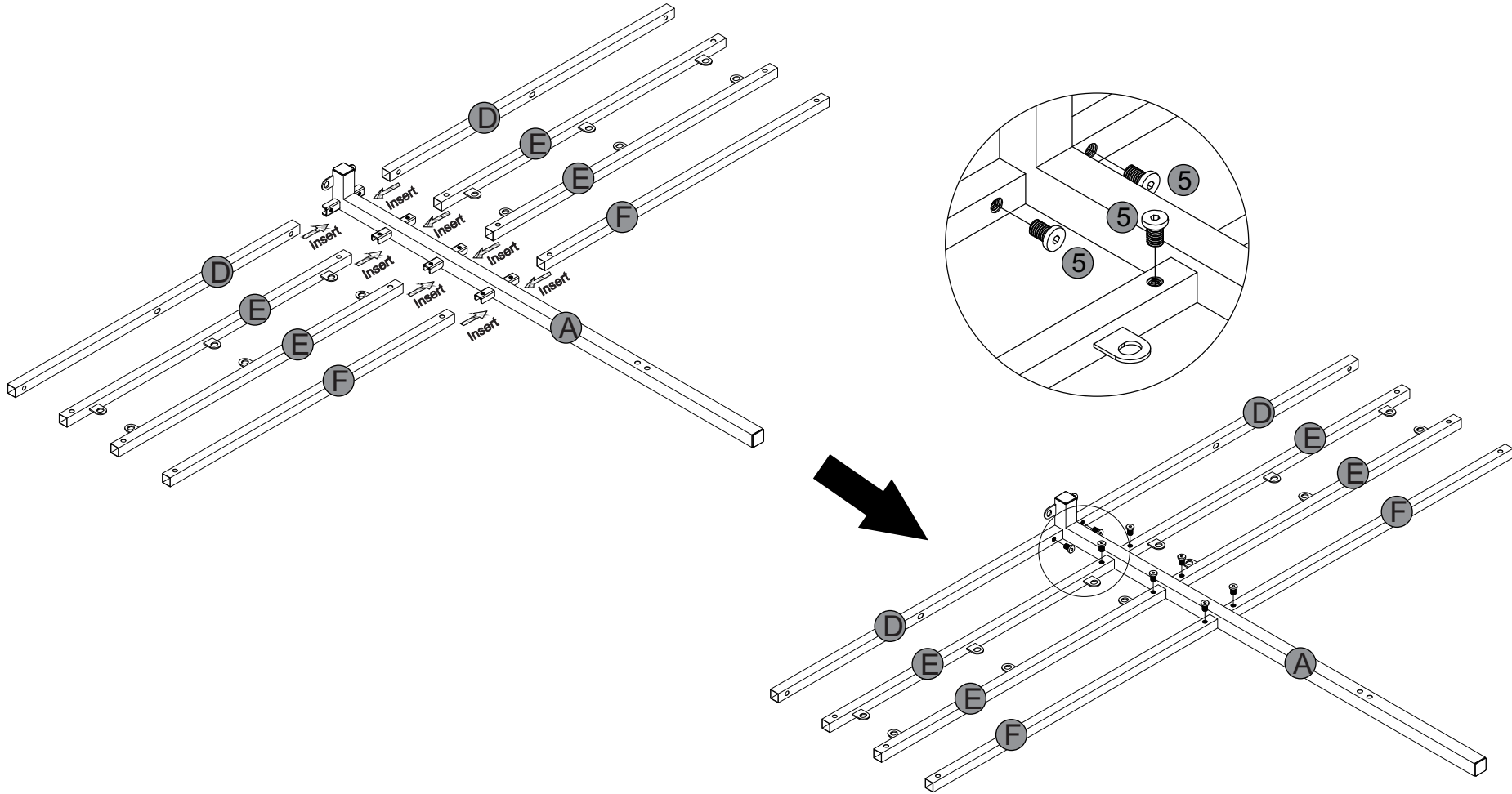
# Accessories





# step 1

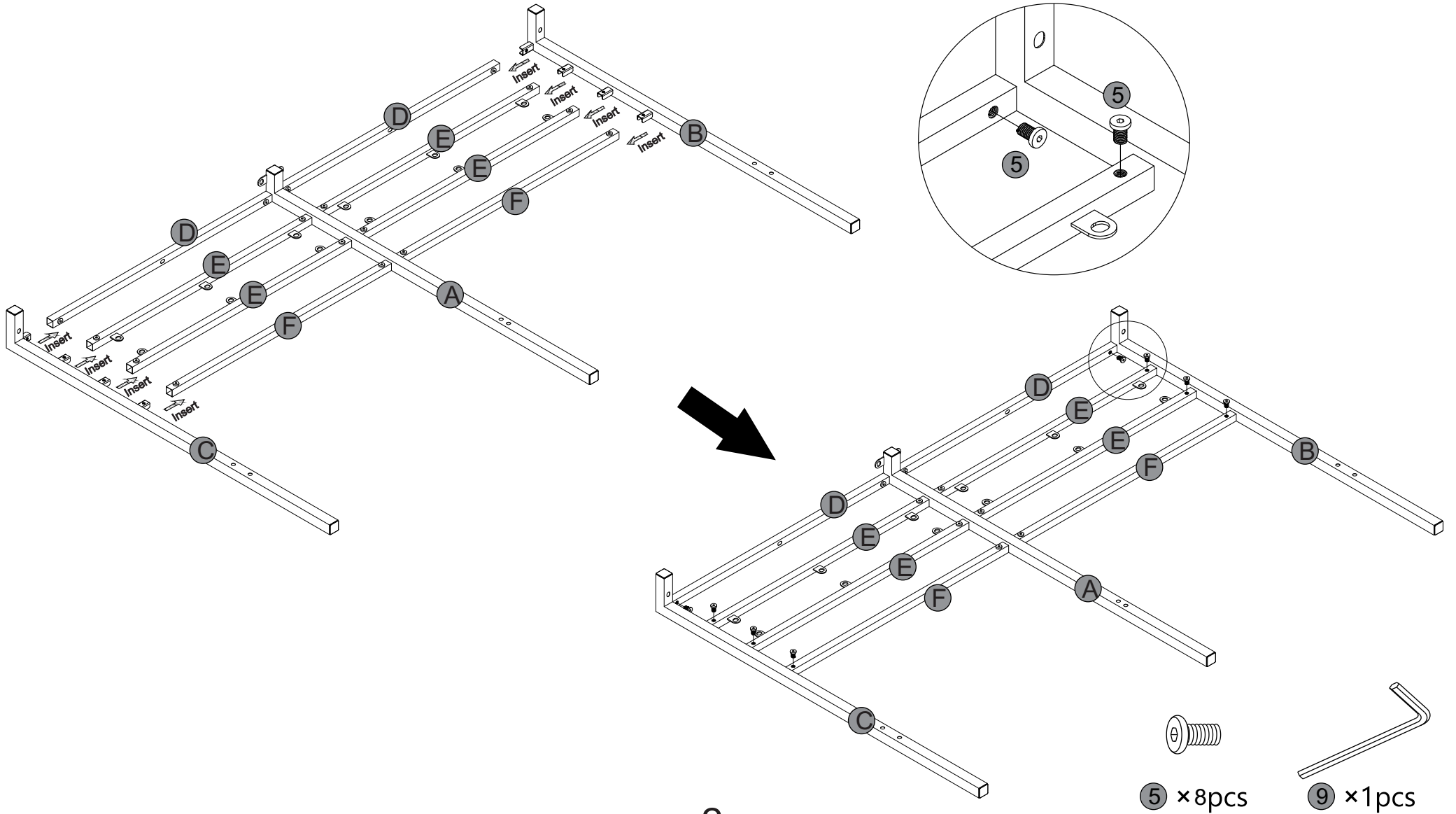
Secure the metal slats **D**, **E**, and **F** to **A** with screws **5**.





## step 2

Secure the metal slats **C** and **B** with screws **5**.

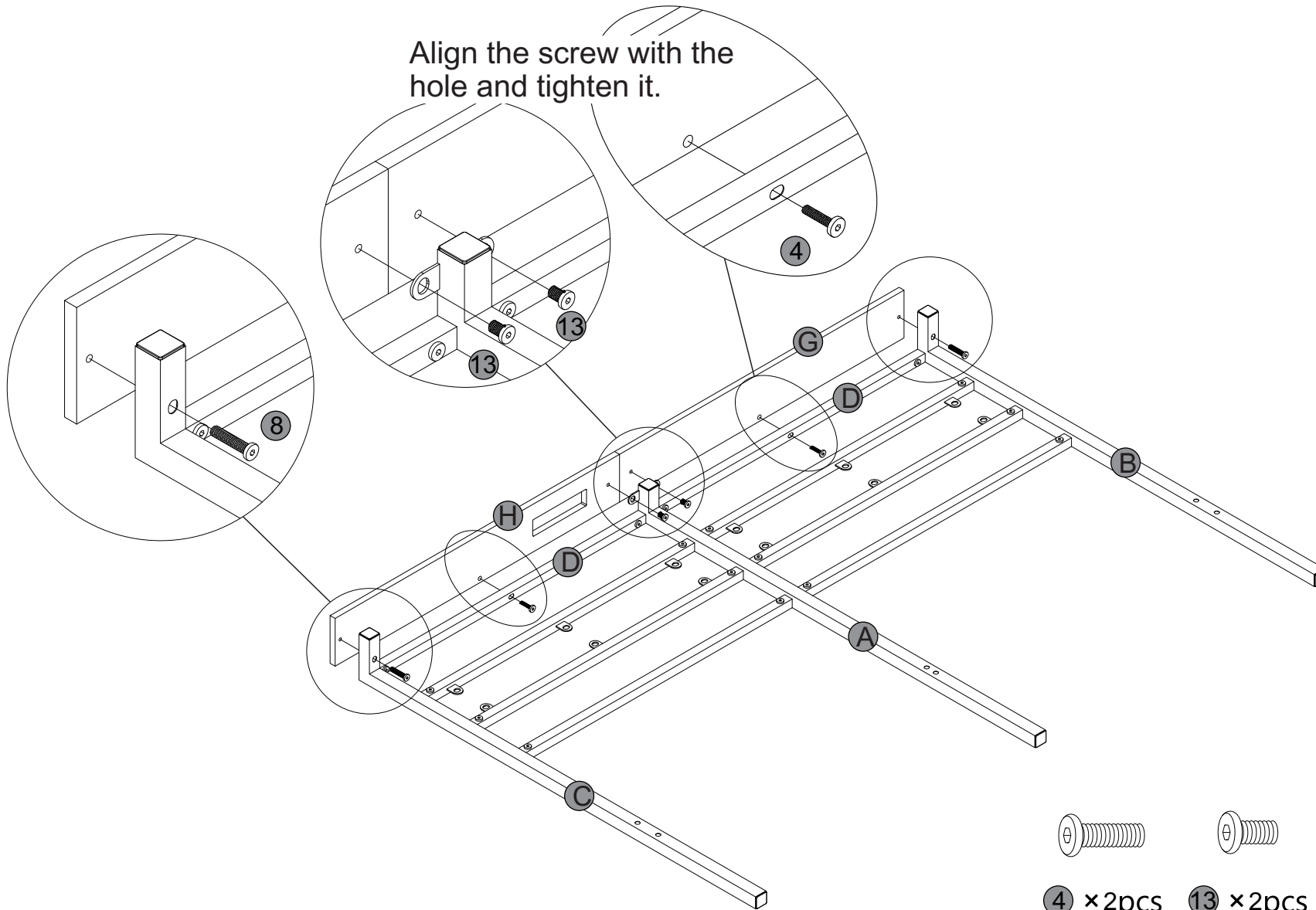




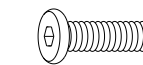
### step 3

Secure the wooden boards **H** and **G** to the top of the metal frame with screws **4**, **13**, and **8**.

Align the screw with the hole and tighten it.



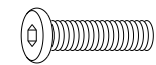
3



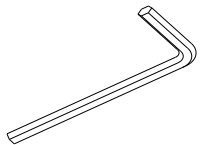
4 × 2pcs



13 × 2pcs



8 × 2pcs

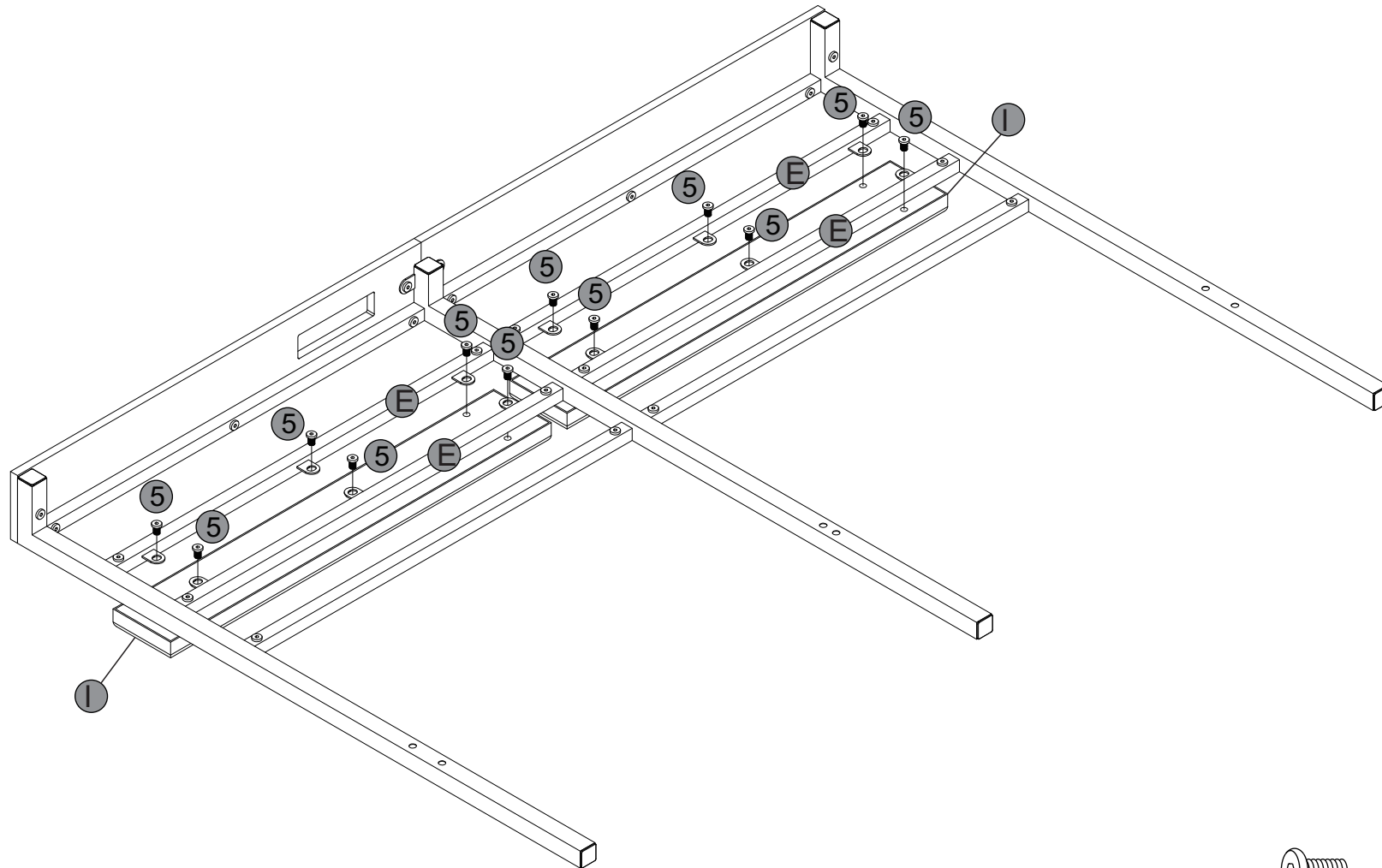


9 × 1pcs

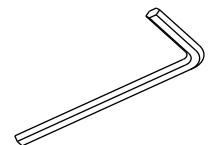


# step 4

Secure the backrest **I** to metal slats **E** with screw **5**



**5** × 12pcs

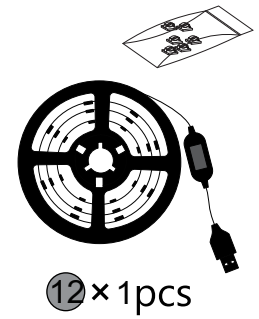
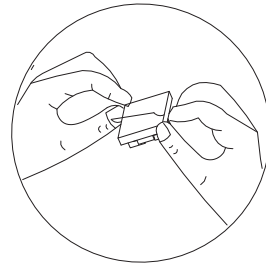
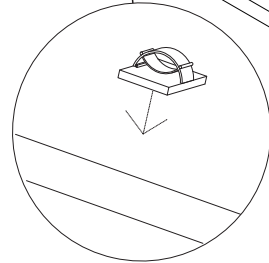
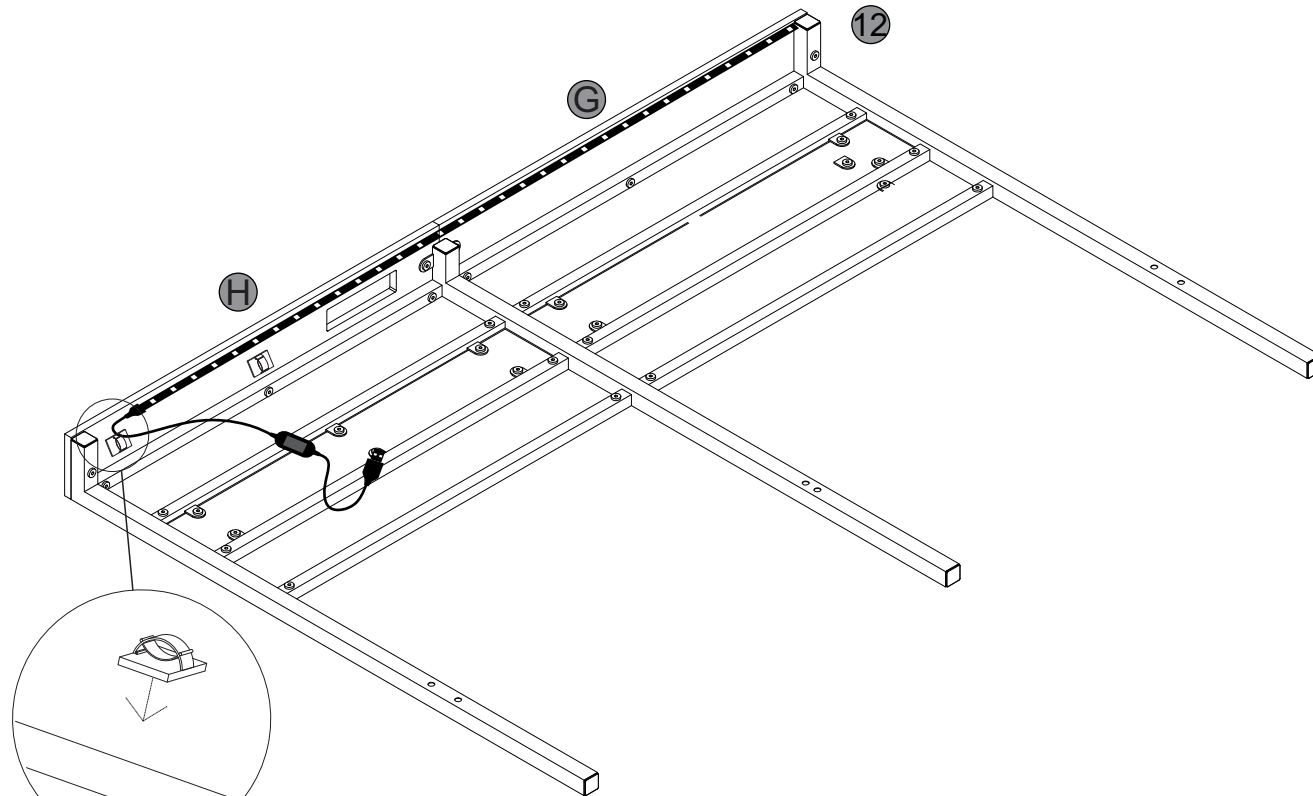


**9** × 1pcs



# step 5

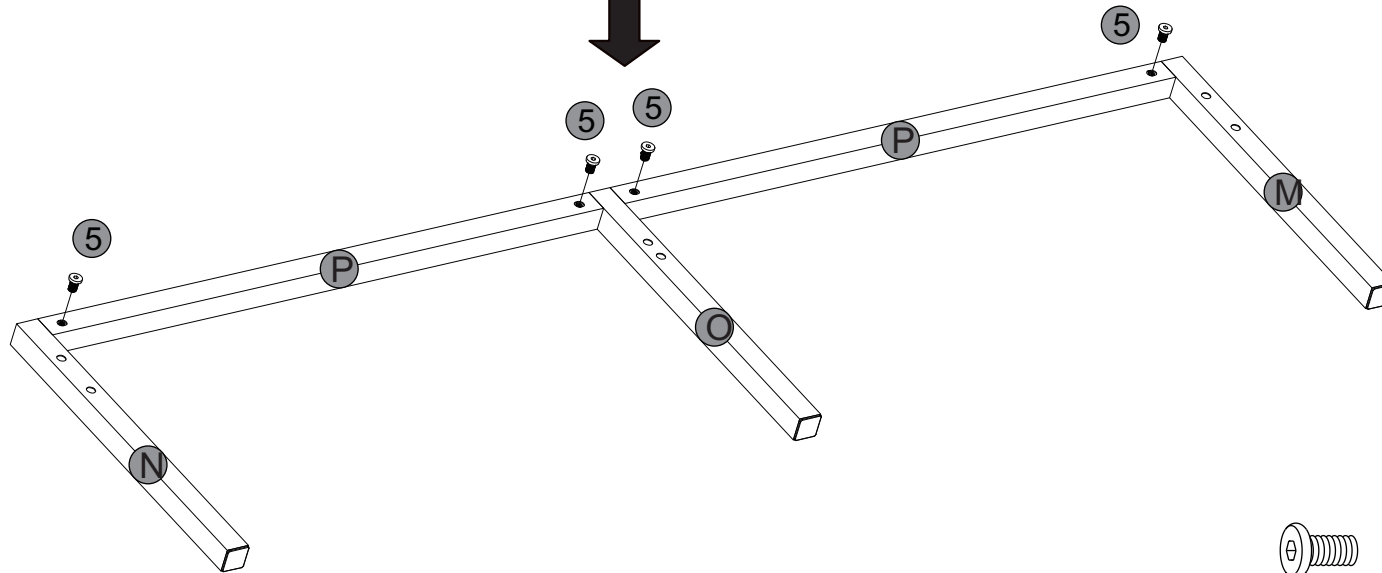
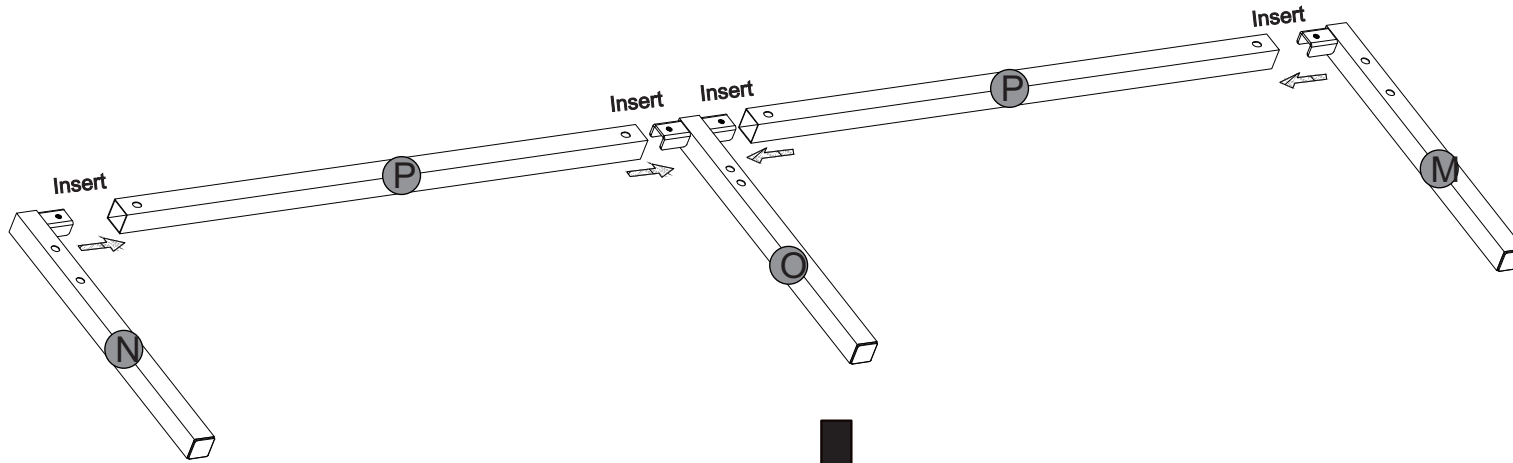
Install the LED light strip under boards **G** and **H**.



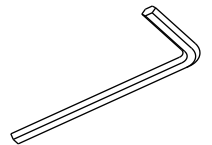


# step 6

Insert metal slats **P** between **N** and **O** and **M**, then Secure with screws **5**



**5** × 4pcs

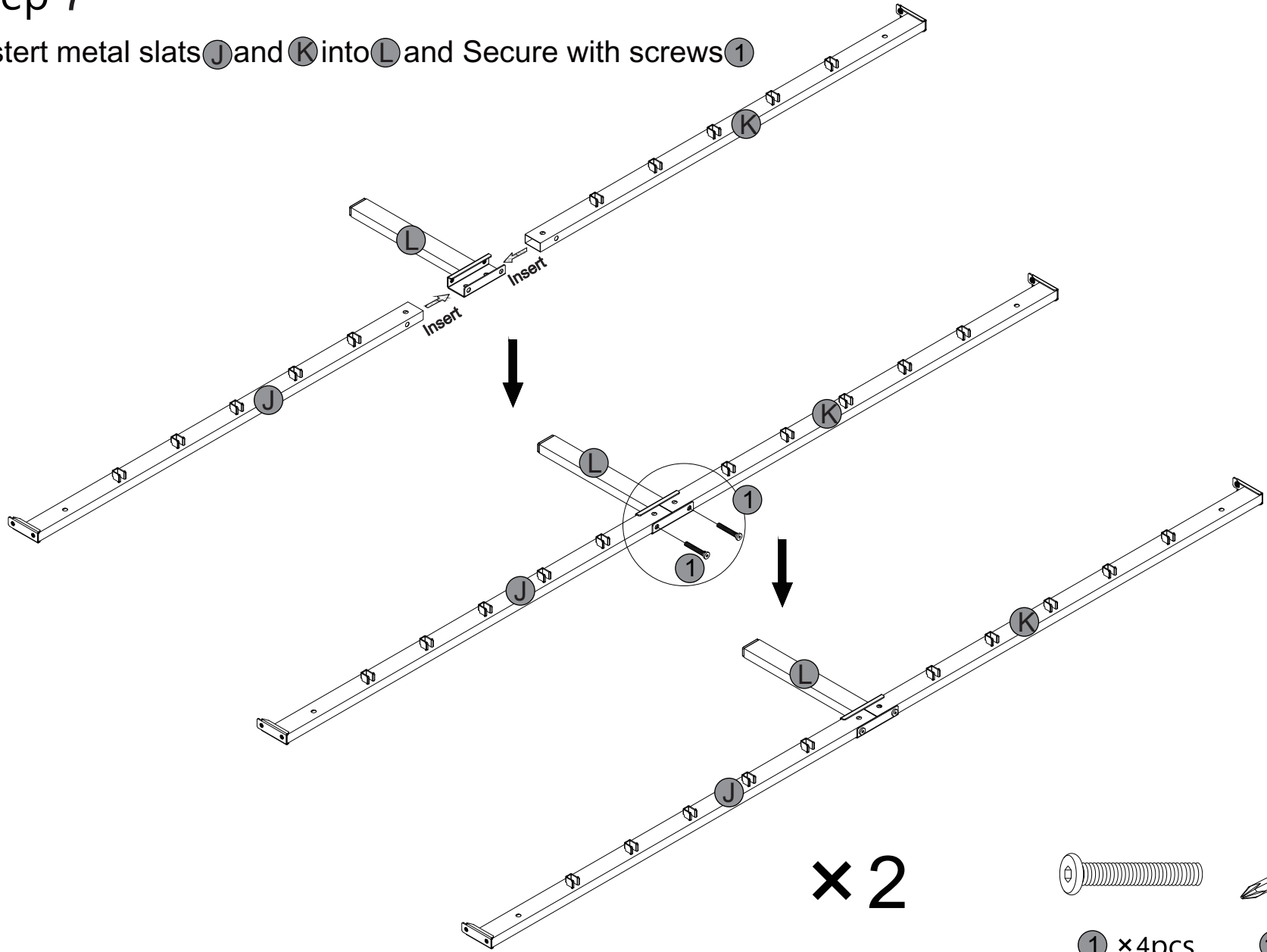


**9** × 1pcs

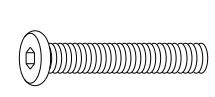


# step 7

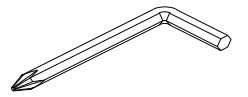
Instert metal slats **J** and **K** into **L** and Secure with screws **1**



x2



1 x4pcs

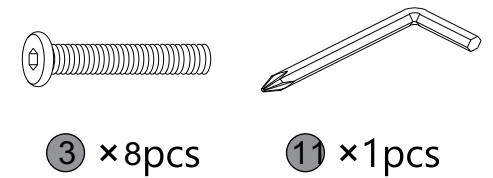
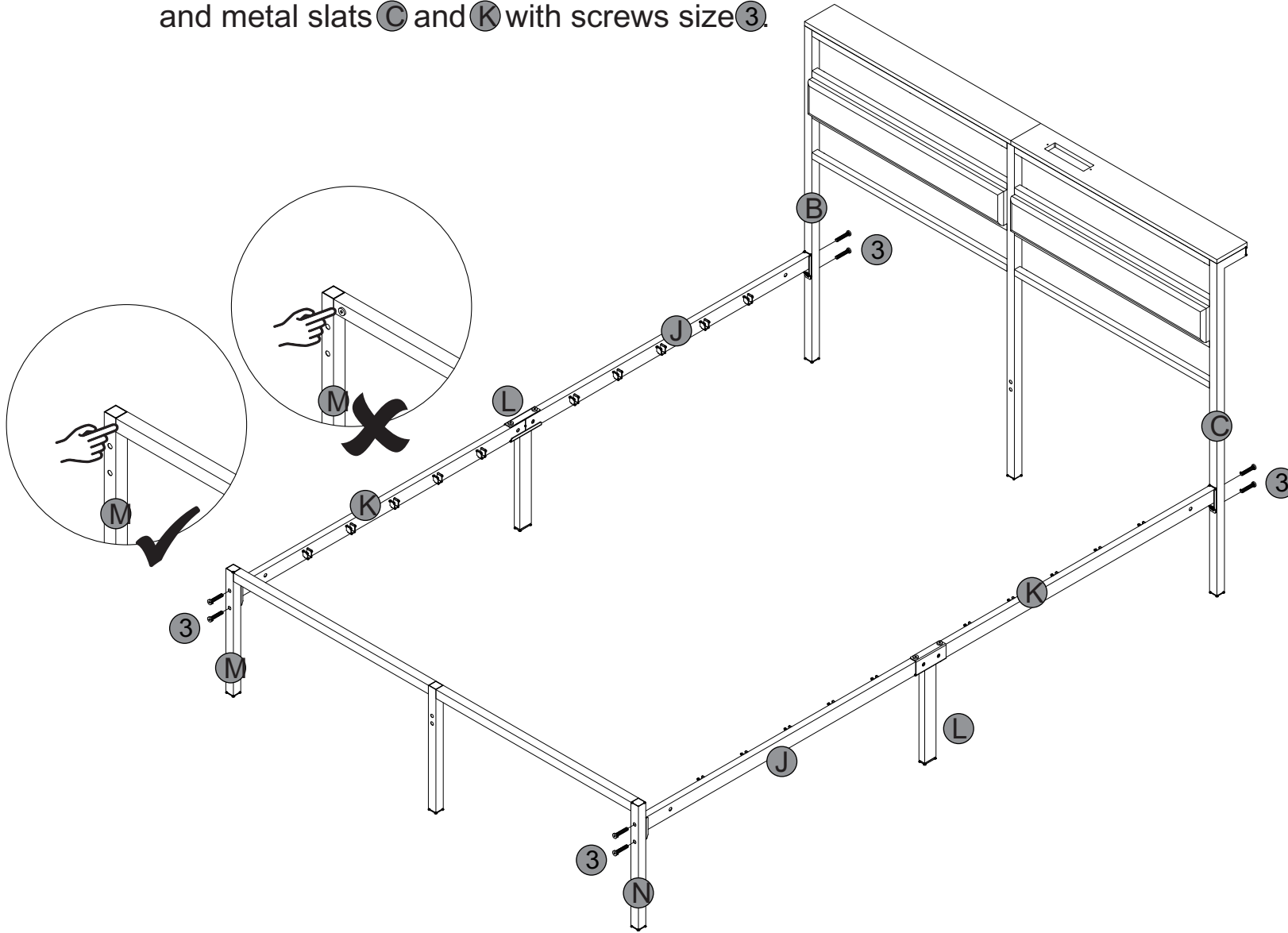


11 x1pcs



# step 8

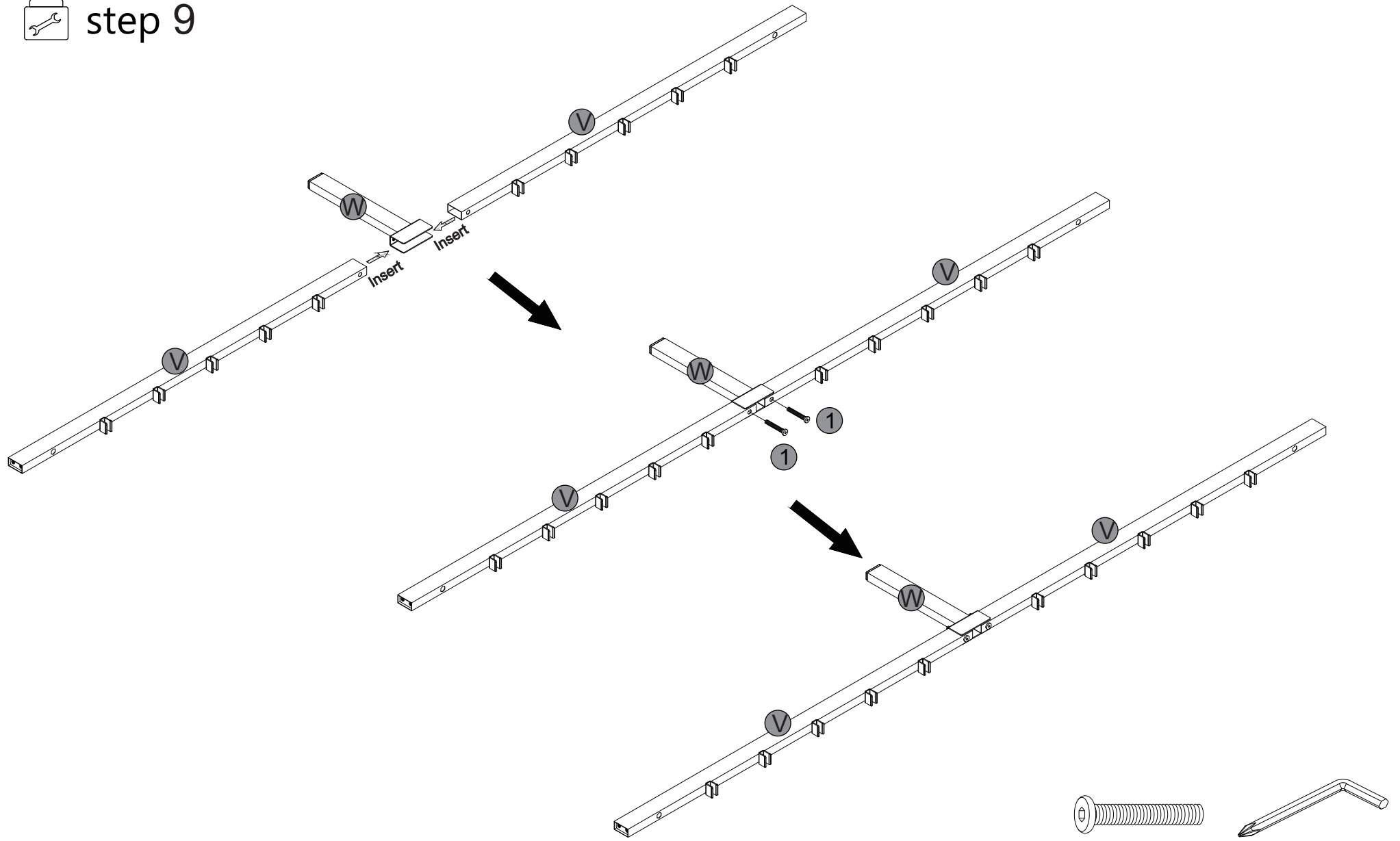
Secure metal slats **B** and **J**, metal slats **M** and **K**, metal slats **N** and **J**, and metal slats **C** and **K** with screws size **3**.



**3** × 8pcs

**11** × 1pcs

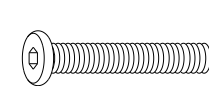
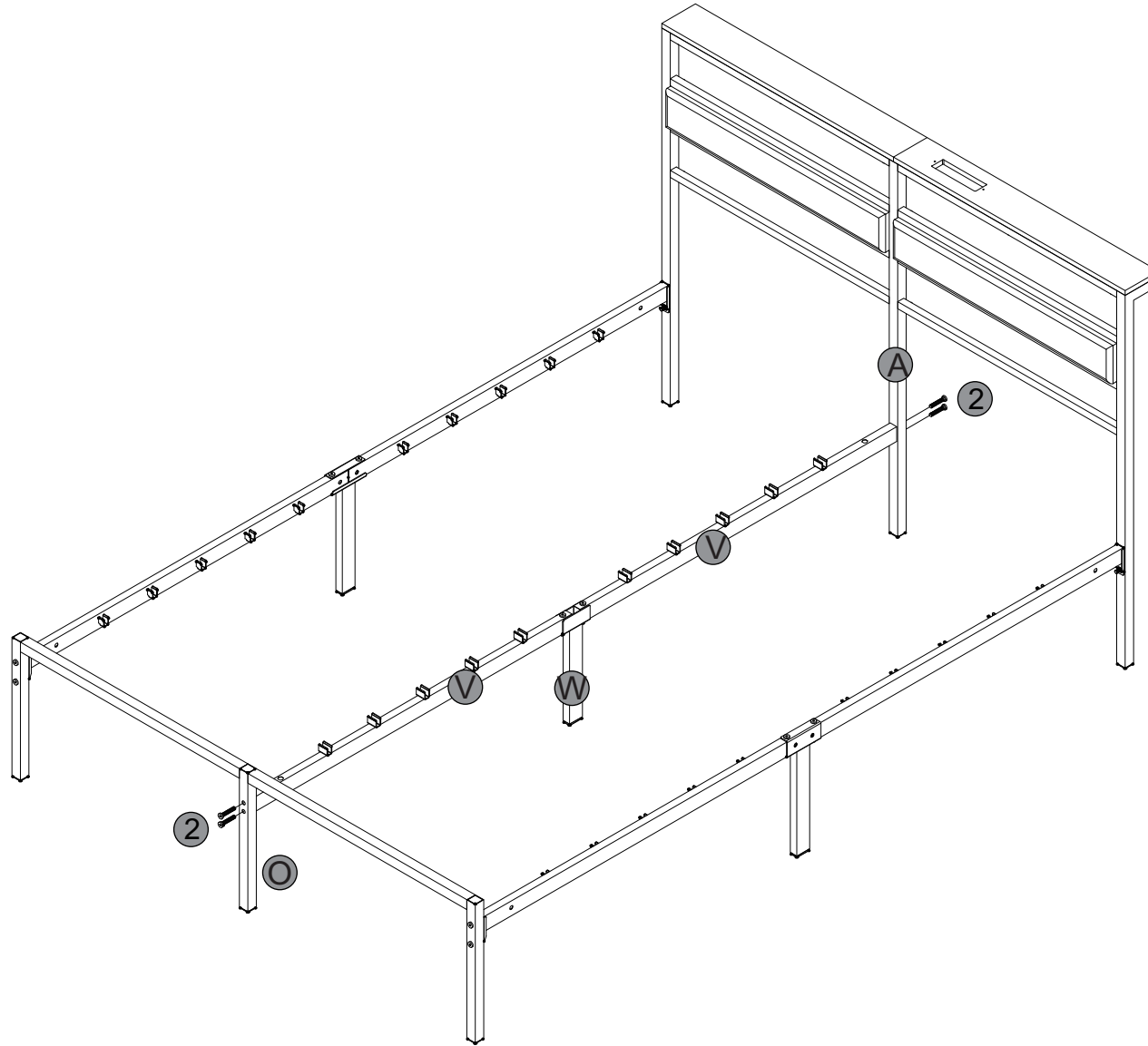
 step 9



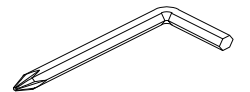


# step 10

Secure the metal slats **A** and **V**, and the metal slats **O** and **V** with screws **2**.



**2** x 4pcs

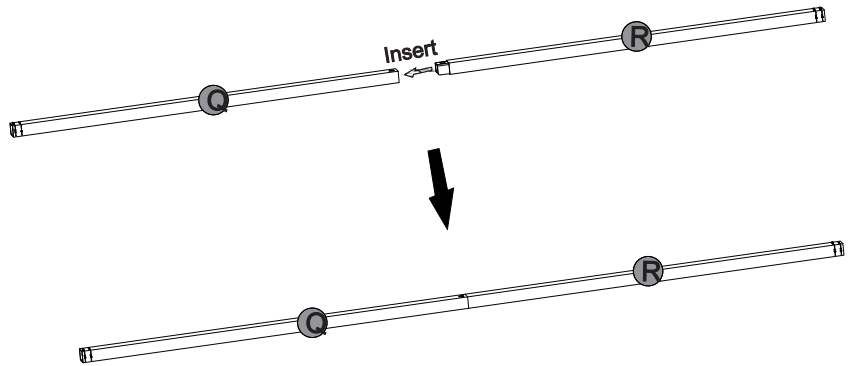


**11** x 1pcs

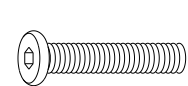
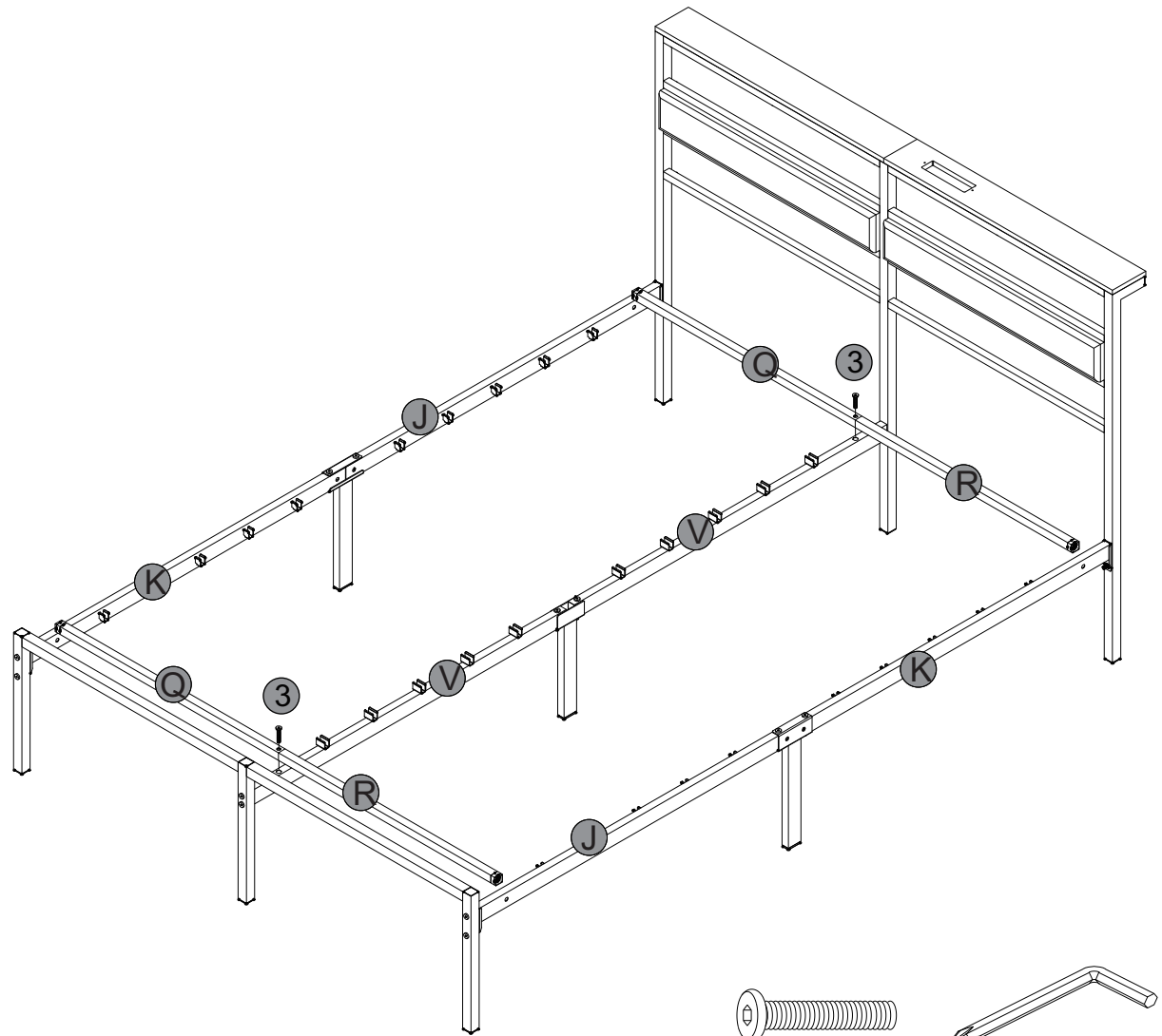


# step 11

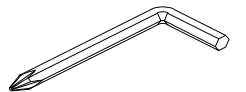
Insert the metal slats **Q** and **R**, then secure to **V** with screw **3**



X2



**3** x 2pcs

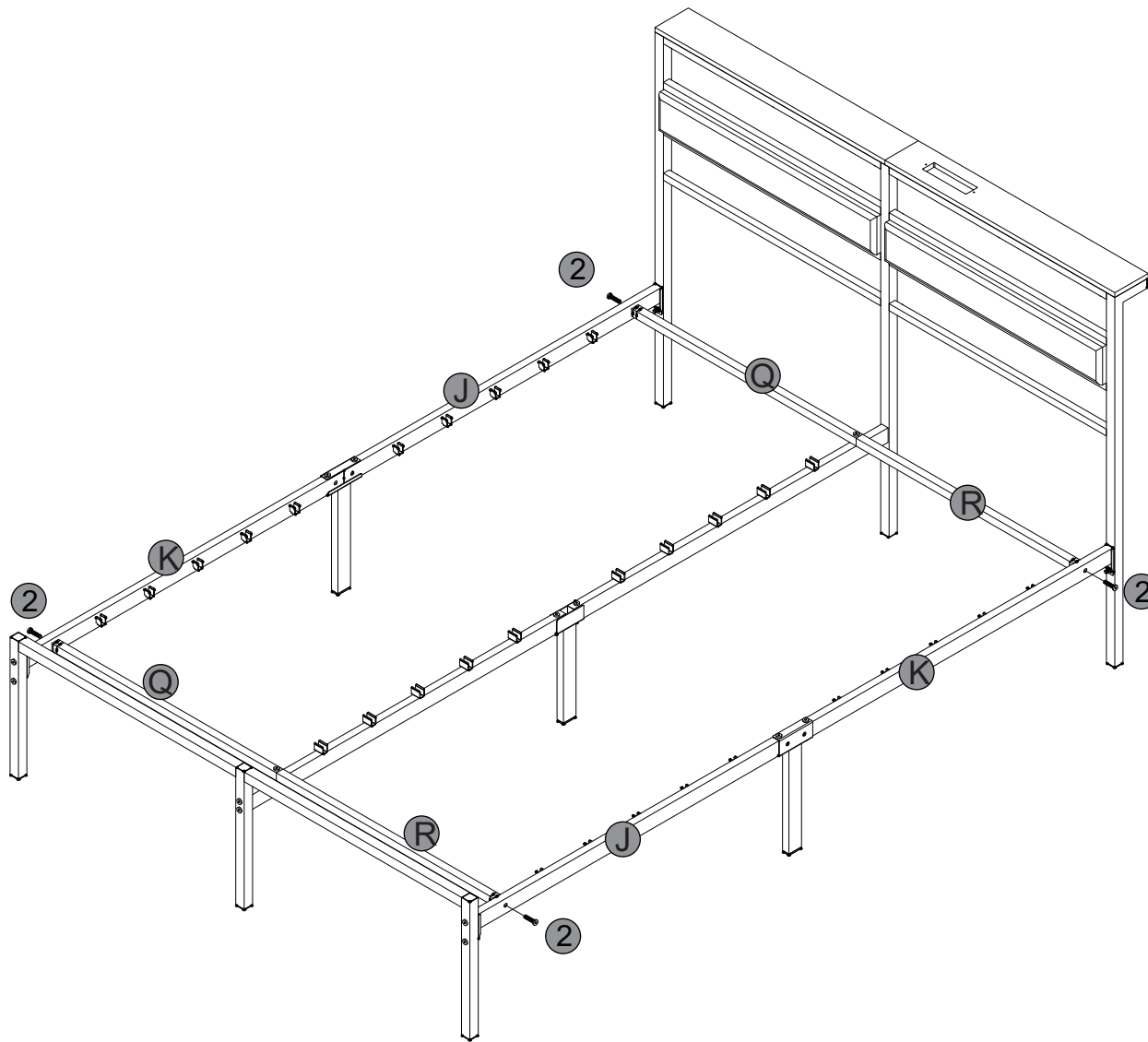


**11** x 1pcs

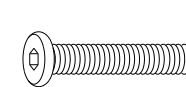


# step 12

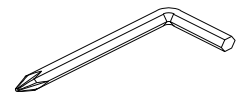
Secure the metal slats **Q** and **R** with screws **2**.



12



**2** × 4 pcs

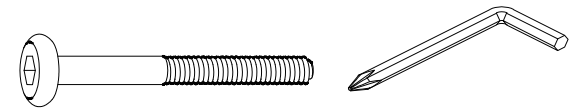
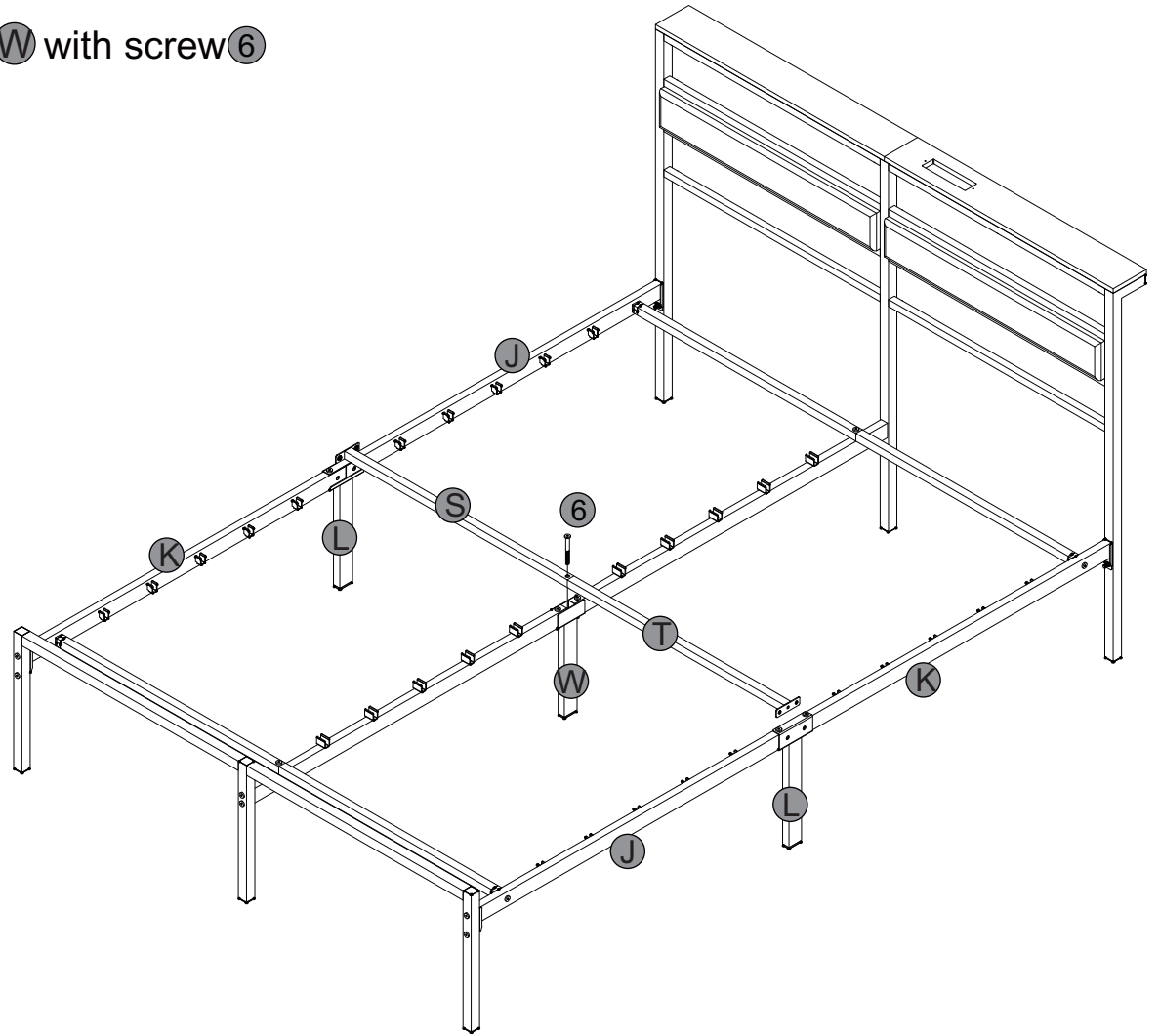
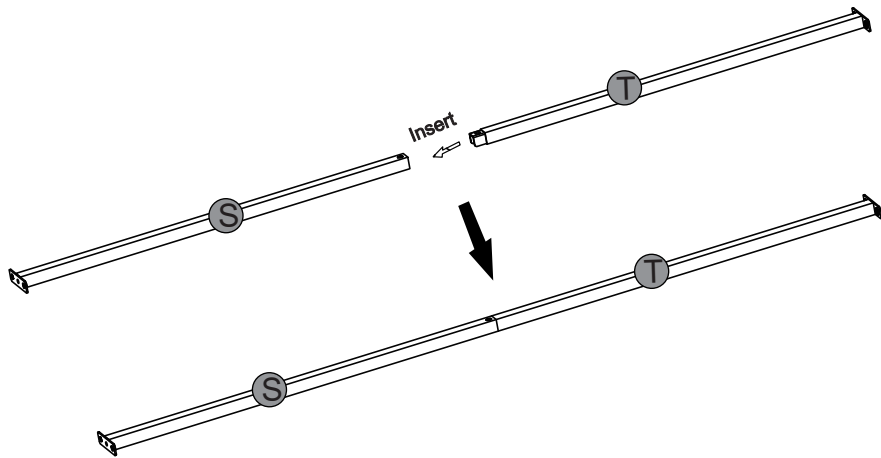


**11** × 1 pcs



# step 13

Insert the metal slats **S** and **T** then secure to **W** with screw **6**

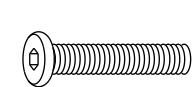
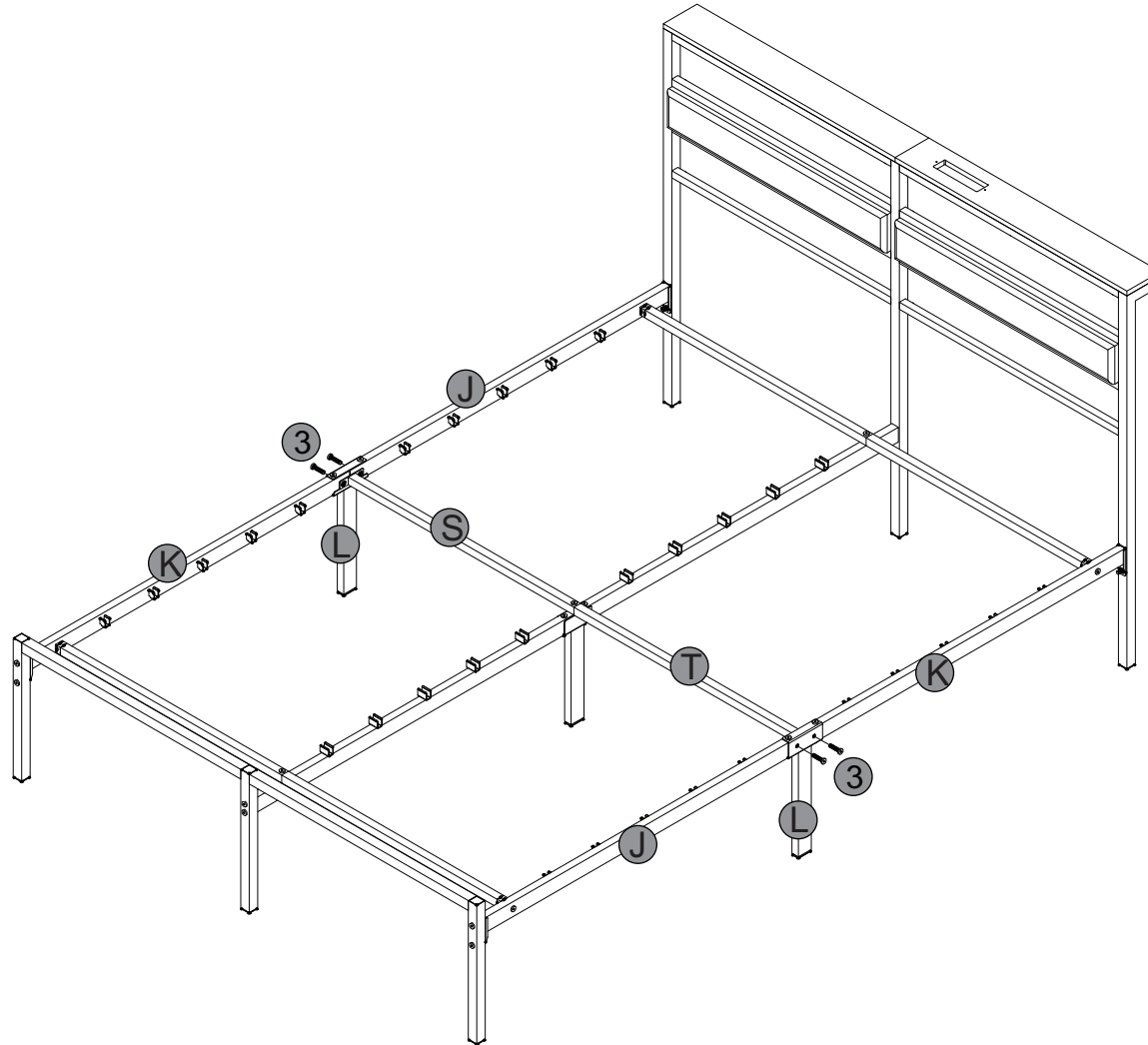


**6** × 1pcs

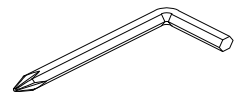
**11** × 1pcs

 step 14

Secure the metal slats **S** and **T** with screws **3**.



**3** × 4 pcs

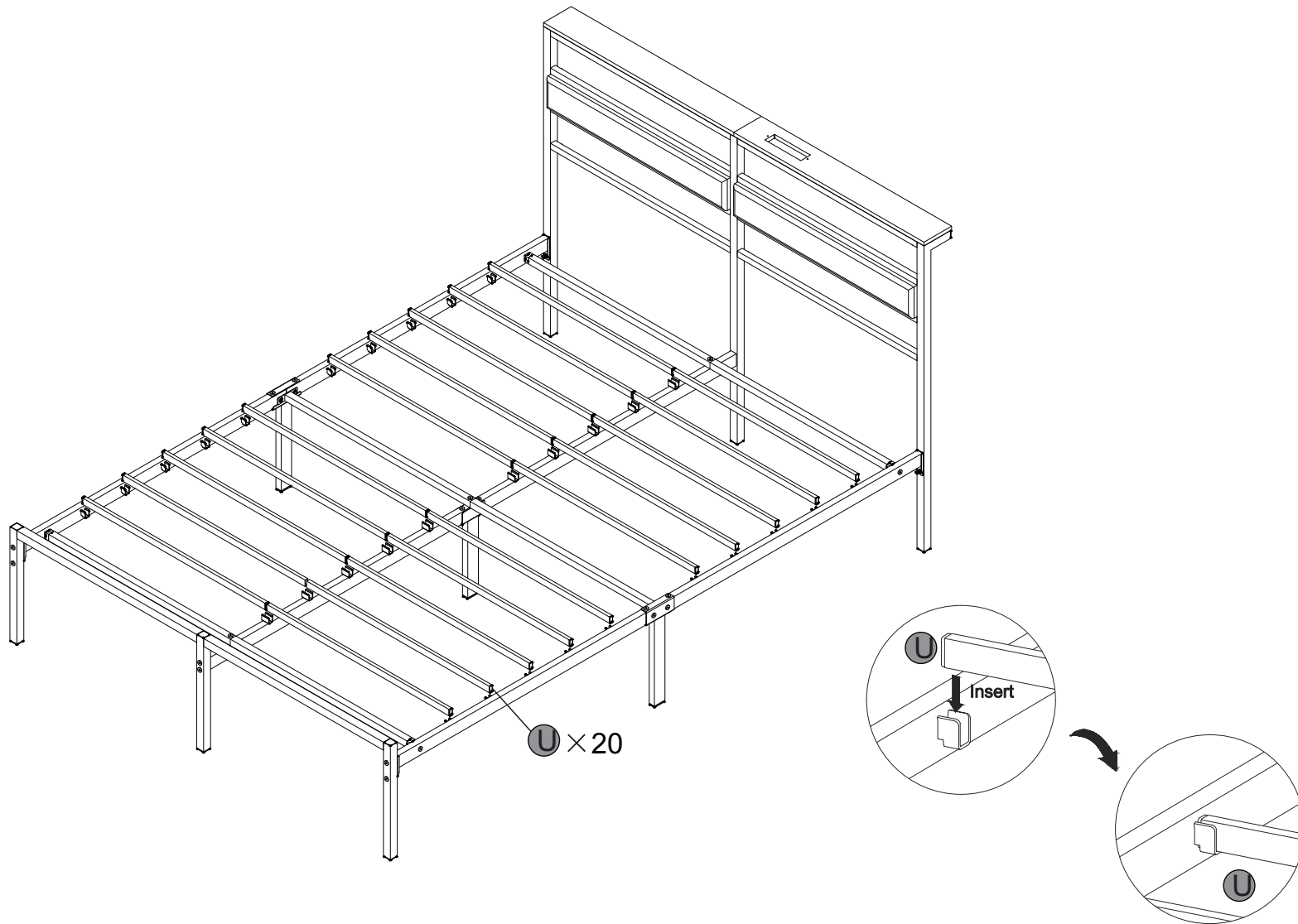


**11** × 1 pcs



# step 15

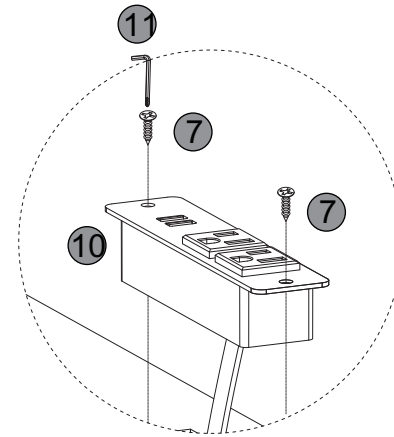
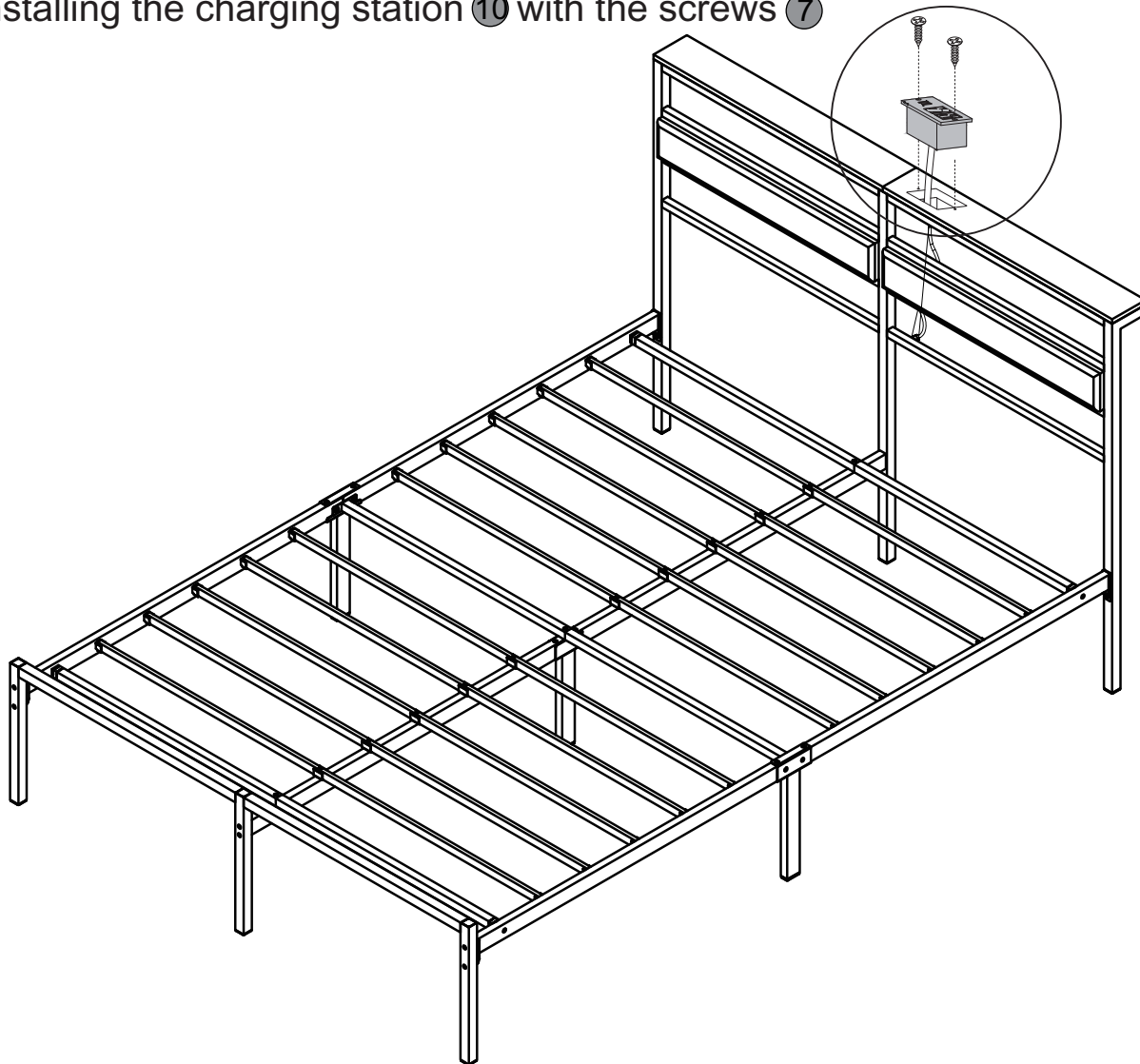
Embed the metal slats .



 × 20

 step 16

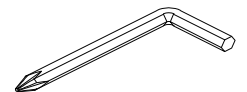
Installing the charging station ⑩ with the screws ⑦



⑩ × 1 pcs



⑦ × 2 pcs

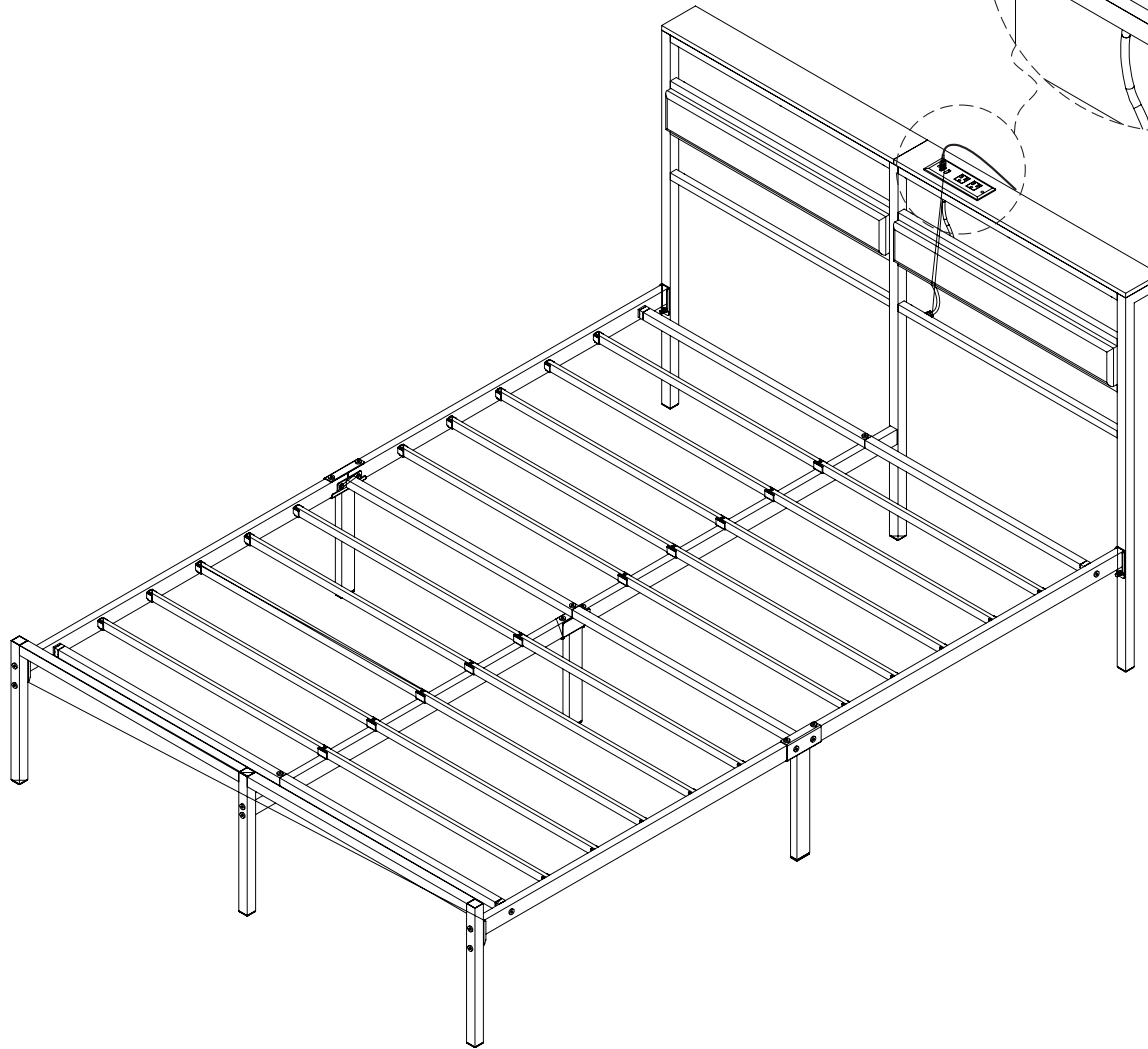


⑪ × 1 pcs



## step 17

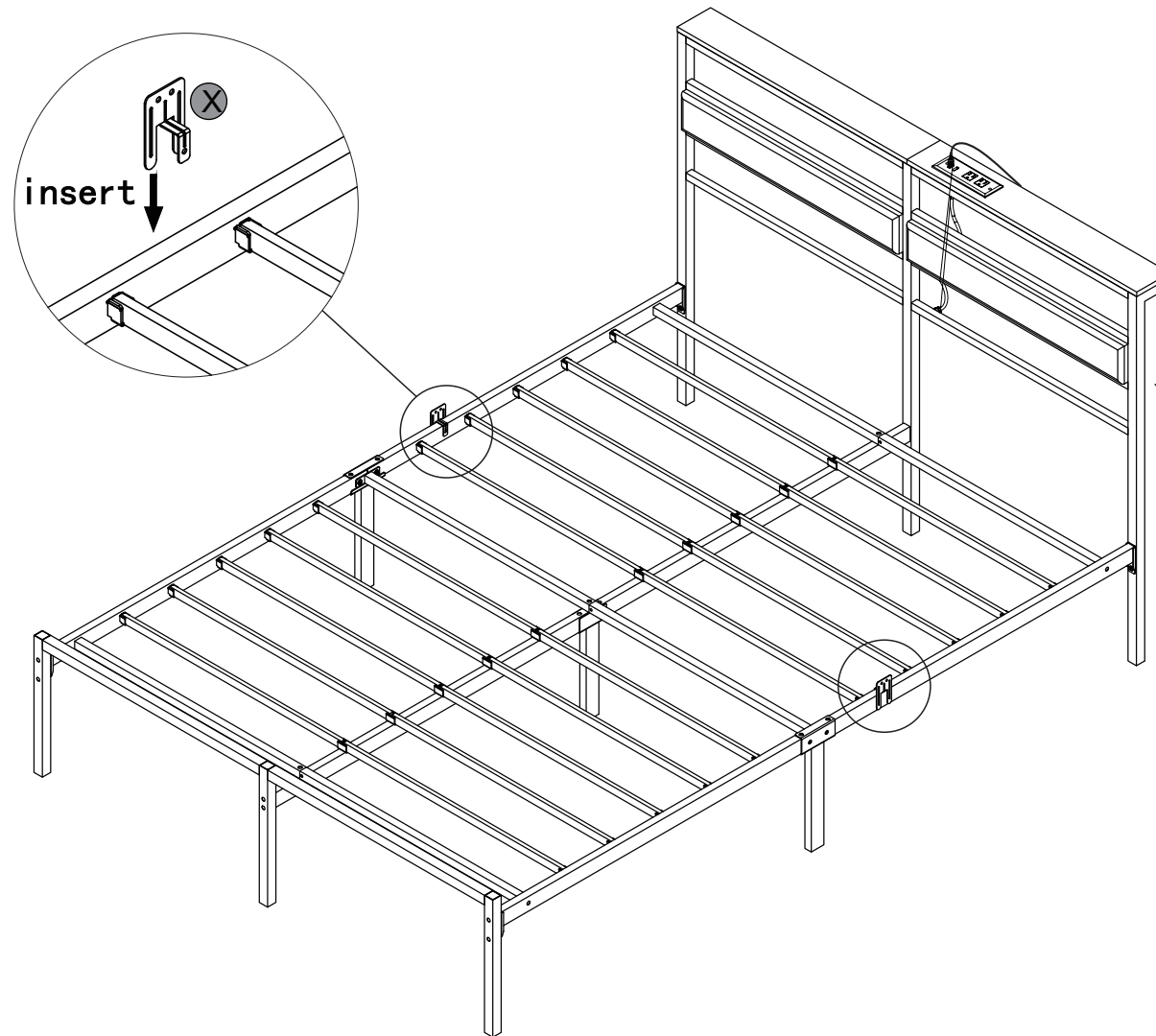
Insert the plug of the light strip into the USB port of the charging Station





# step 18

Insert  beside the bed.



## Problems You May Encounter

<b>PROBLEMS</b>	<b>SOLUTIONS</b>
<b>Non-human caused damage during usage.</b>	<b>Please Keep the product and send us photos of it. We will ascertain the cause of the product damage within 48 hours and provide a satisfactory solution.</b>
<b>Mismatch of screw hole positions between components.</b>	<b>1. Please tighten the screws on the board by 70%, do not tighten completely. 2. Adjust the direction of the component to check that the wrong hole position has not been selected.</b>
<b>Product is unstable after being assembled.</b>	<b>1. Check if the screws are tightened. 2. Read through out the manual, check are there any parts installed incorrectly or missing assembled.</b>
<b>Any missing or damaged components.</b>	<b>To solve the problem. We are committed to providing you with Free component shipping and replacement.</b>
<b>More problems or the above problems could not be solved.</b>	<b>Contact us, We will support you!</b>