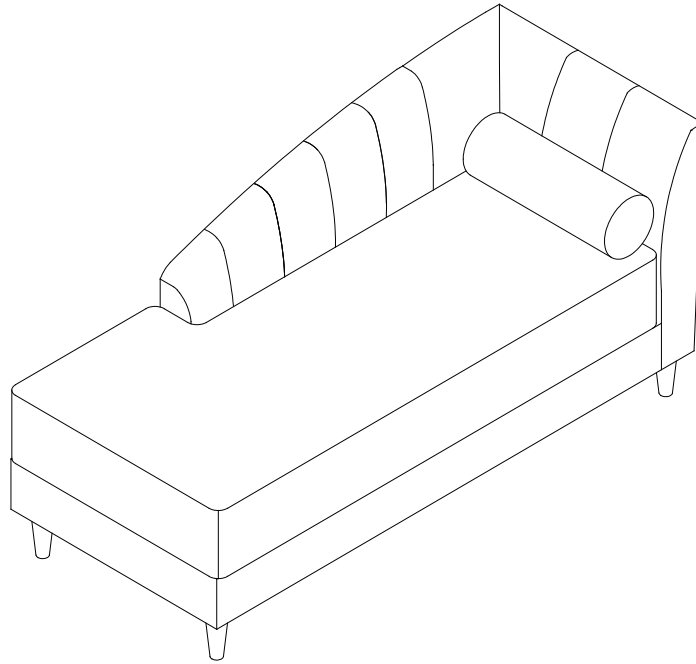
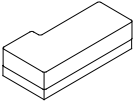
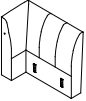
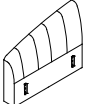
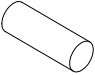



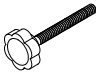

ITEM#30108-12-01/02/03
TALLULAH CHAISE



COMPLETED TALLULAH CHAISE ASSEMBLY

PART LIST

PART	DRAWING	DESCRIPTION	QTY
A		SEAT	1PC
B		BACKREST	1PC
C		ARM	1PC
D		LUMBAR PILLOW	1PC

PART	DRAWING	DESCRIPTION	QTY
E		LEG	4PCS
1		BOLT	1PC
2		FLAT WASHER	1PC

Customer Service Contact Information:

Toll Free Phone Number: 1-844-771-2727

Email: consumercare@lanefurniture.com

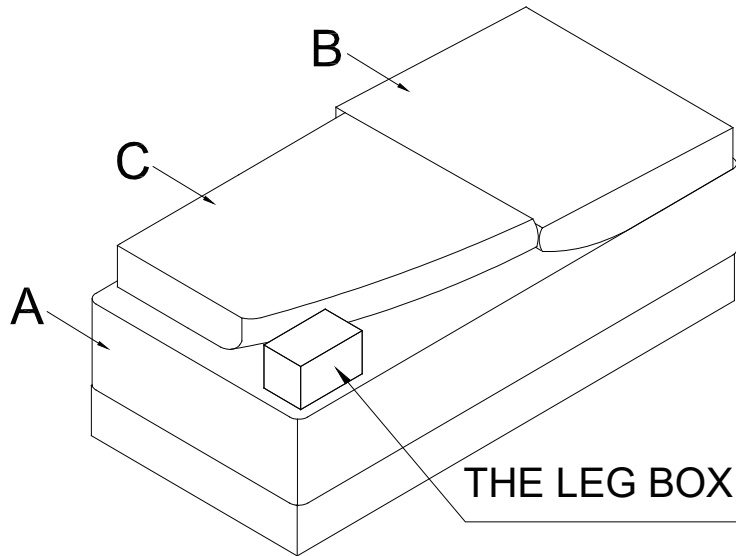
Website: www.lanefurniture.com

NOTES:

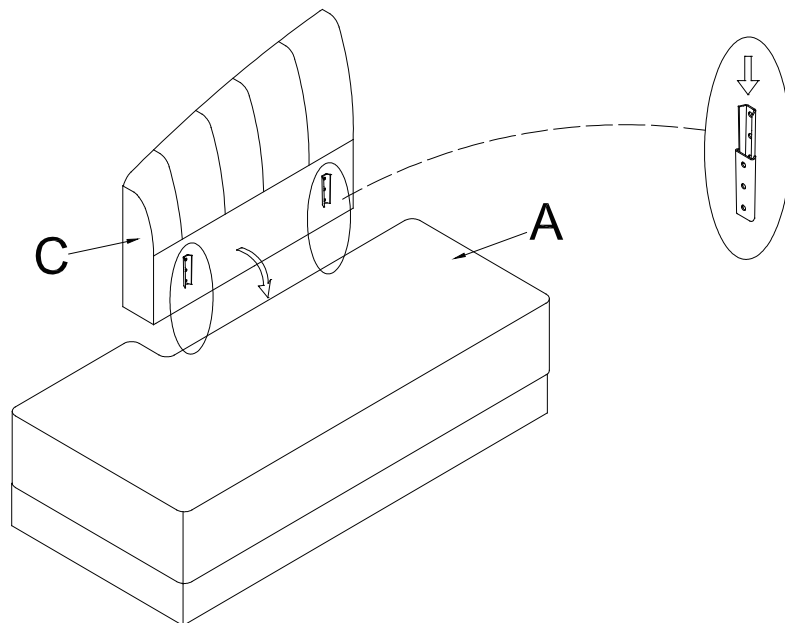
1. CHECK CAREFULLY FOR SMALL PARTS WHICH MAY COME LOOSE DURING SHIPMENT.
2. REMOVE ALL COMPONENTS FROM THE PACK AND PLACE ON A CLEAN, SOFT SURFACE TO ASSEMBLE.
3. .UNITS SHOULD BE ASSEMBLED BY TWO OR MORE PEOPLE.
4. DO NOT OVER -TIGHTEN SCREW/ BOLTS UNTIL ASSEMBLY IS COMPLETED.
5. WITH USE, SCREW MAY BE COME LOOSE & MUST BE TIGHTENED PERIODICALLY.



THE PARTS ARE LOCATED INSIDE THE BOX AS BELOW:



Step 1: Attach the Arm(C) to the Seat(A)



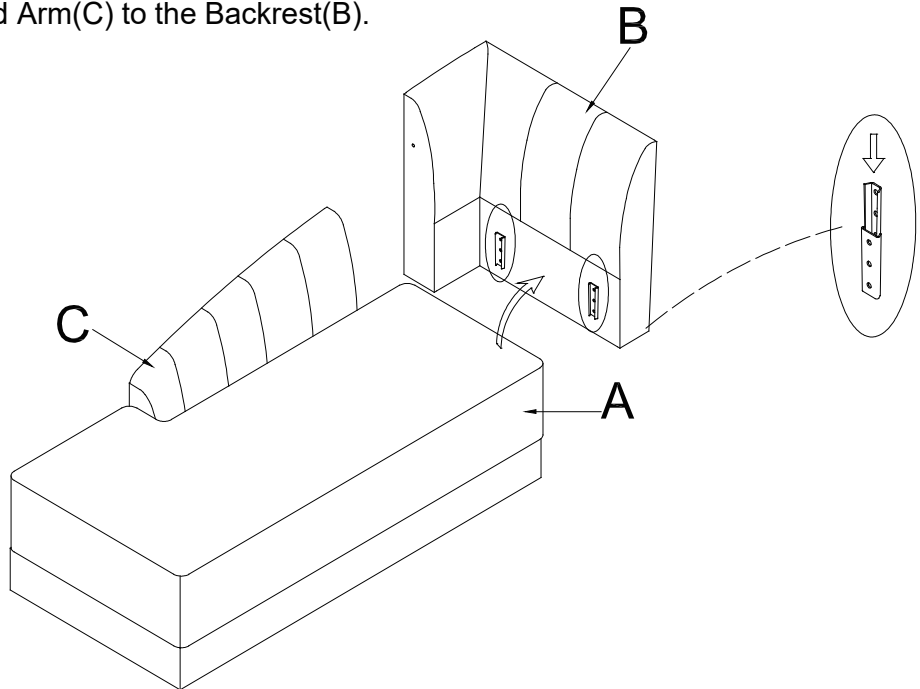
Customer Service Contact Information:
Toll Free Phone Number: 1-844-771-2727
Email: consumercare@lanefurniture.com
Website: www.lanefurniture.com

NOTES:

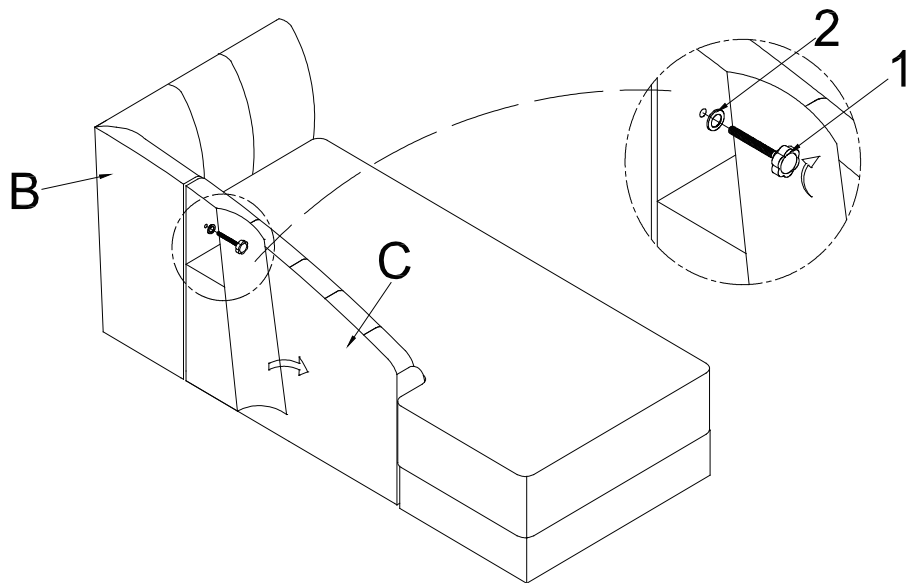
1. CHECK CAREFULLY FOR SMALL PARTS WHICH MAY COME LOOSE DURING SHIPMENT.
2. REMOVE ALL COMPONENTS FROM THE PACK AND PLACE ON A CLEAN, SOFT SURFACE TO ASSEMBLE.
3. UNITS SHOULD BE ASSEMBLED BY TWO OR MORE PEOPLE.
4. DO NOT OVER-TIGHTEN SCREW/ BOLTS UNTIL ASSEMBLY IS COMPLETED.
5. WITH USE, SCREW MAY BE COME LOOSE & MUST BE TIGHTENED PERIODICALLY.

ITEM#30108-12-01/02/03
TALLULAH CHAISE

Step 2: Attach the Seat(A) and Arm(C) to the Backrest(B).



Step 3: Open the fabric of the Arm(C). Then insert the Bolt(1) and Flat Washer(2) to the Arm(C) and the Backrest(B). Close the fabric of the Arm(C)



Customer Service Contact Information:

Toll Free Phone Number: 1-844-771-2727

Email: consumercare@lanefurniture.com

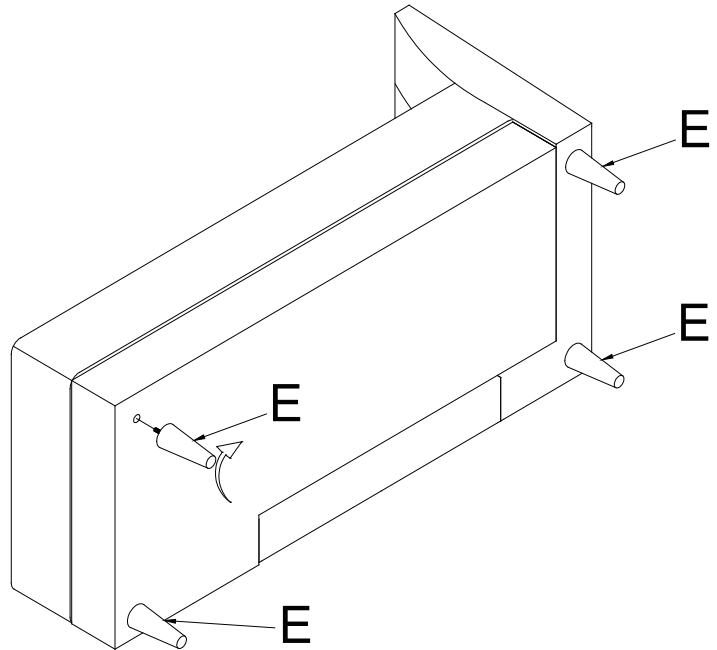
Website: www.lanefurniture.com

NOTES:

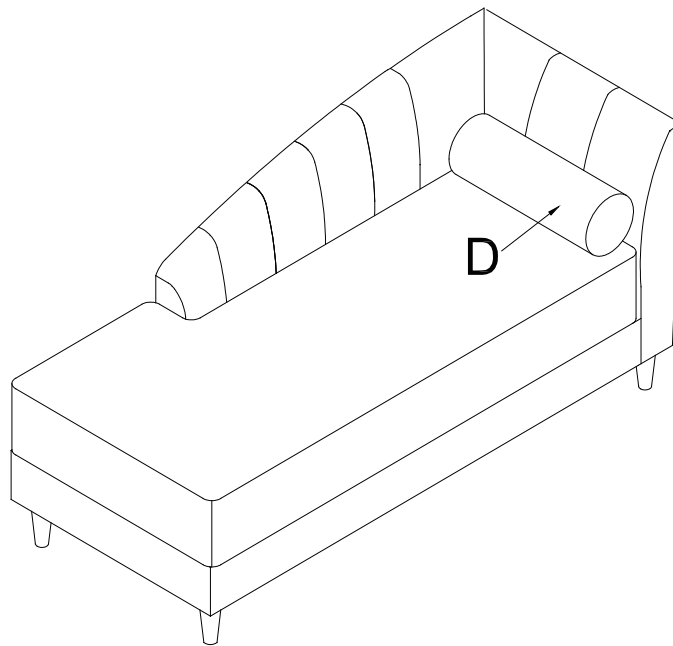
1. CHECK CAREFULLY FOR SMALL PARTS WHICH MAY COME LOOSE DURING SHIPMENT.
2. REMOVE ALL COMPONENTS FROM THE PACK AND PLACE ON A CLEAN, SOFT SURFACE TO ASSEMBLE.
3. UNITS SHOULD BE ASSEMBLED BY TWO OR MORE PEOPLE.
4. DO NOT OVER -TIGHTEN SCREW/ BOLTS UNTIL ASSEMBLY IS COMPLETED.
5. WITH USE, SCREW MAY BE COME LOOSE & MUST BE TIGHTENED PERIODICALLY.

ITEM#30108-12-01/02/03
TALLULAH CHAISE

Step 4: Attach the Legs(E) to the Seat(A) and the Backrest(B) .



Step 5: Attach the Lumbar pillow(D) to the Seat (A)



ASSEMBLY COMPLETED

Customer Service Contact Information:
Toll Free Phone Number: 1-844-771-2727
Email: consumercare@lanefurniture.com
Website: www.lanefurniture.com

NOTES:

1. CHECK CAREFULLY FOR SMALL PARTS WHICH MAY COME LOOSE DURING SHIPMENT.
2. REMOVE ALL COMPONENTS FROM THE PACK AND PLACE ON A CLEAN, SOFT SURFACE TO ASSEMBLE.
3. UNITS SHOULD BE ASSEMBLED BY TWO OR MORE PEOPLE.
4. DO NOT OVER -TIGHTEN SCREW/ BOLTS UNTIL ASSEMBLY IS COMPLETED.
5. WITH USE, SCREW MAY BE COME LOOSE & MUST BE TIGHTENED PERIODICALLY.