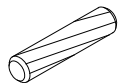


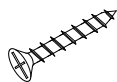
A x33



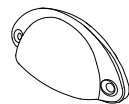
B x33



C x59



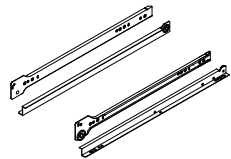
D x8



E x2



F x12



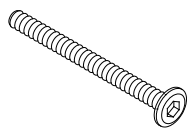
G x2



H x16



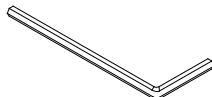
I x6



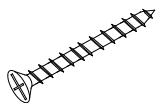
J x12



K x12



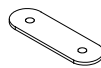
L x1



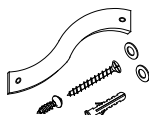
M x2



N x4



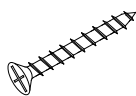
O x3



P x2



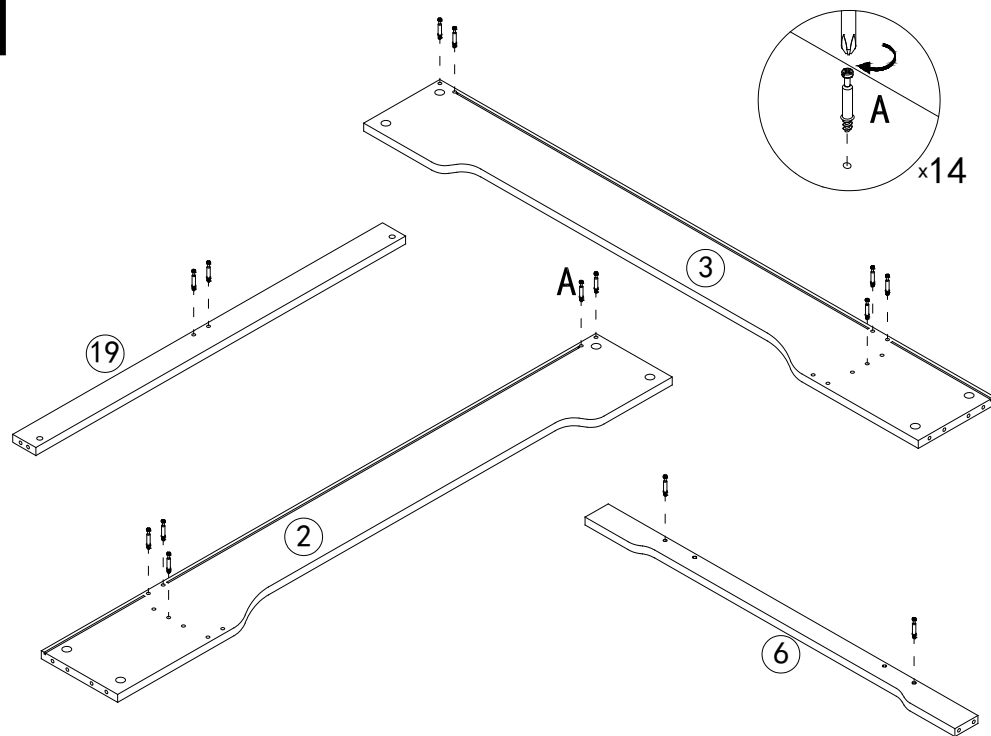
Q x4



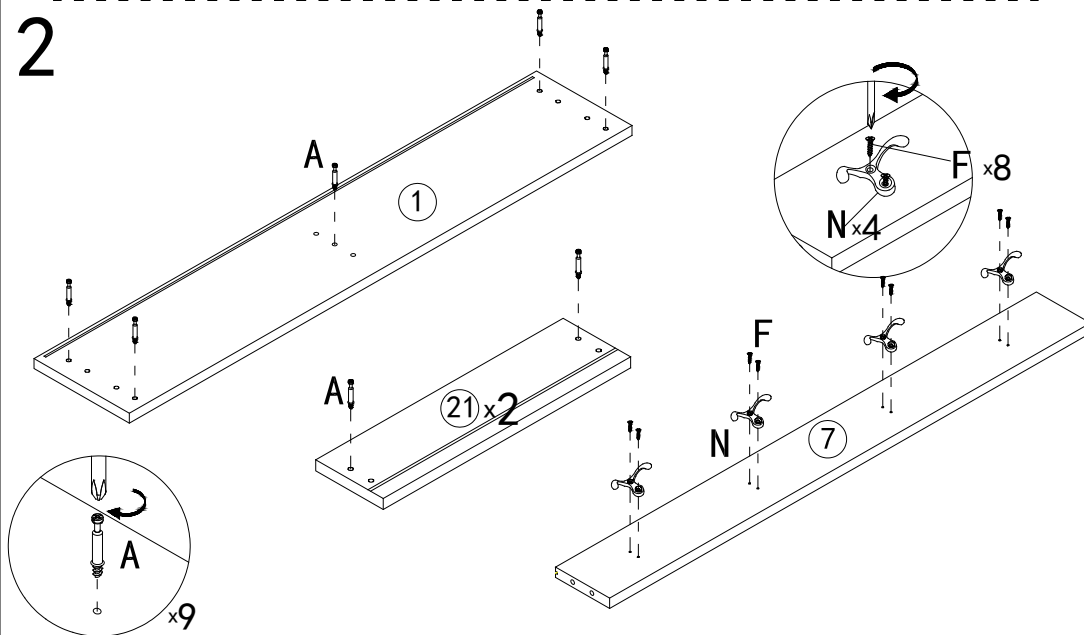
R x5

1

1

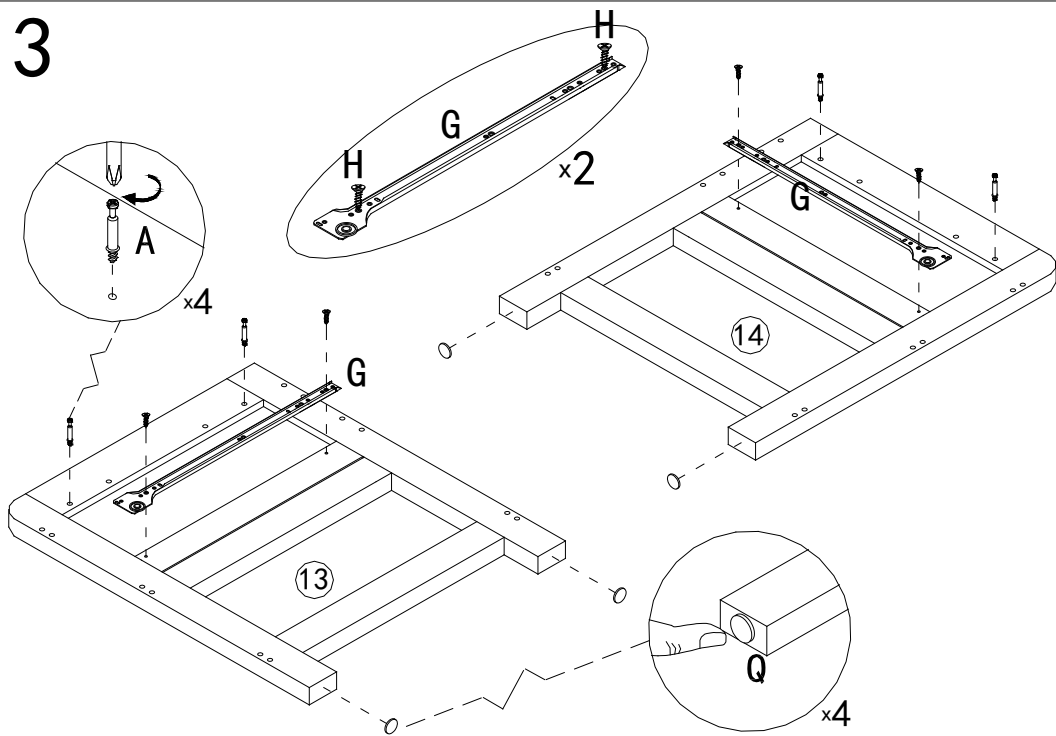


2

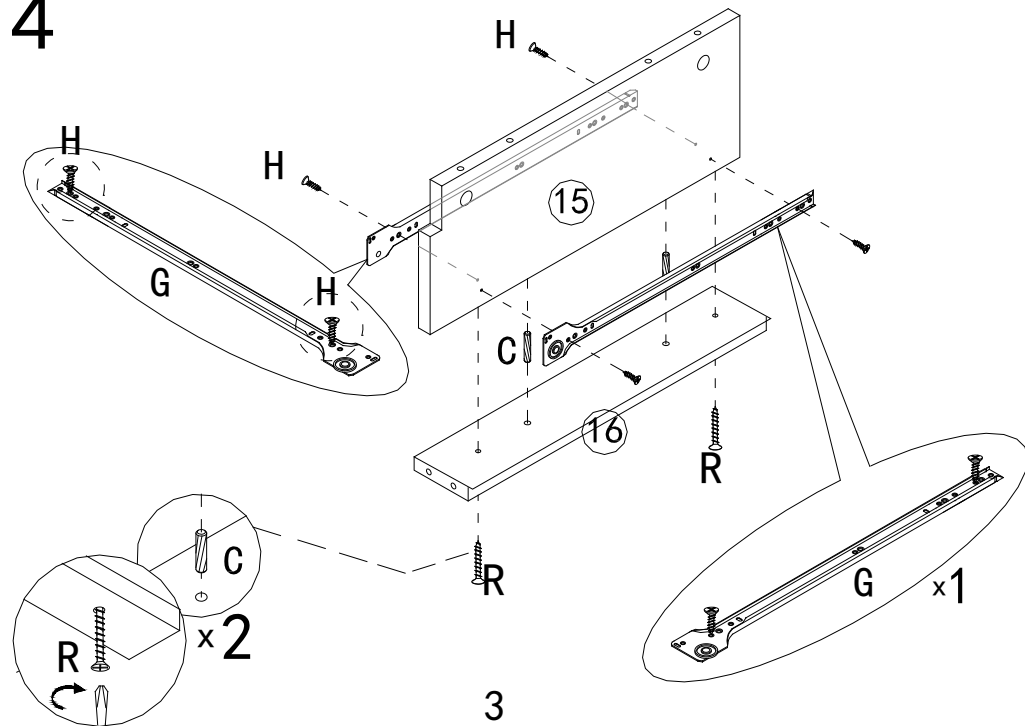


2

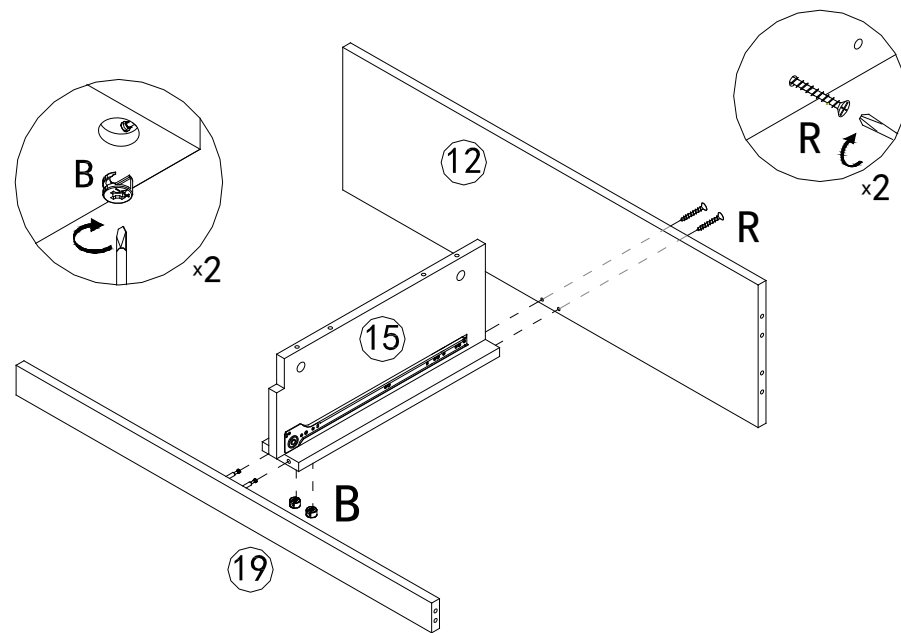
3



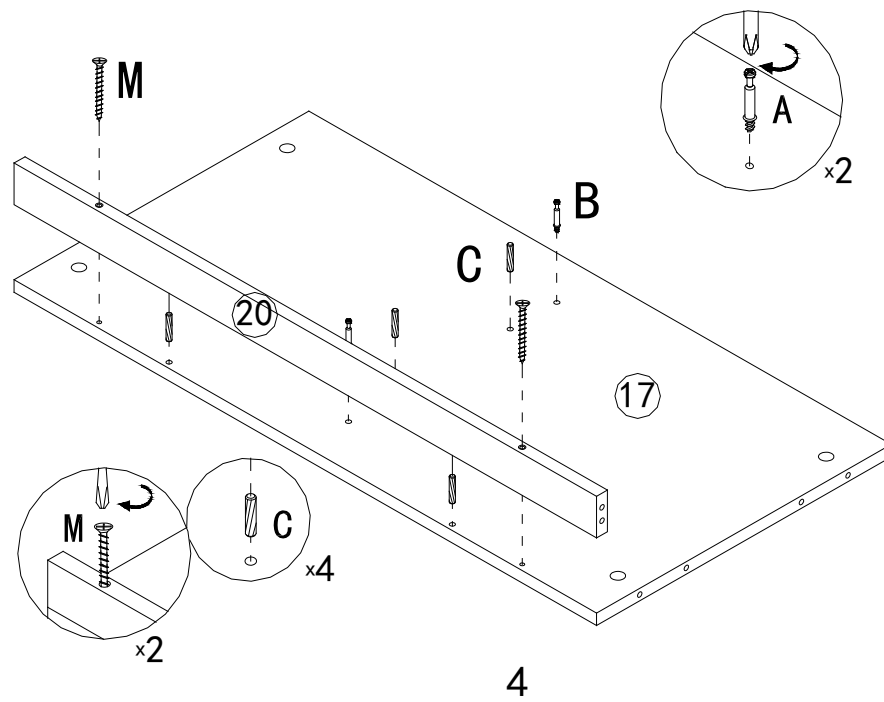
4



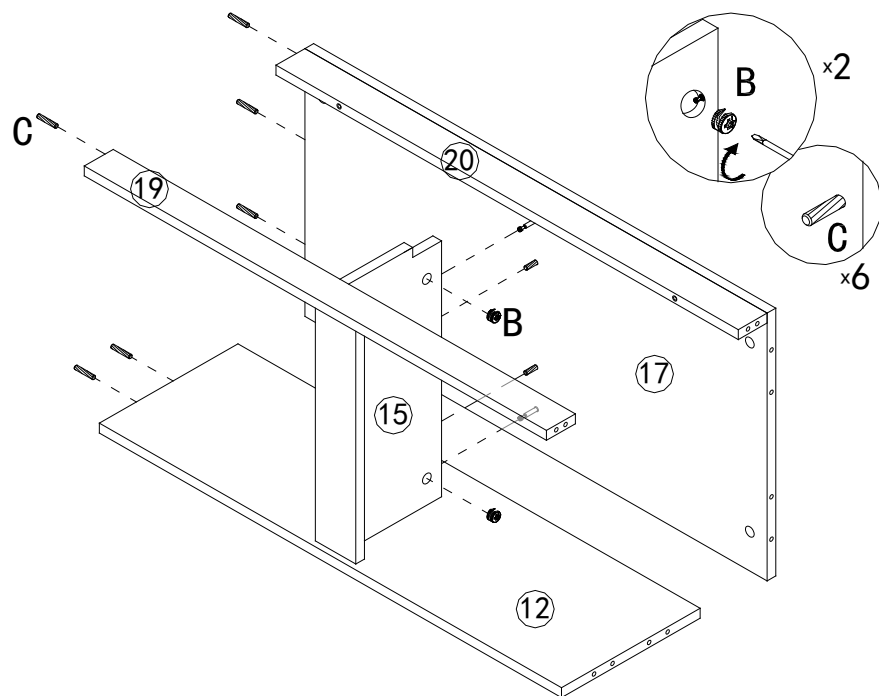
5



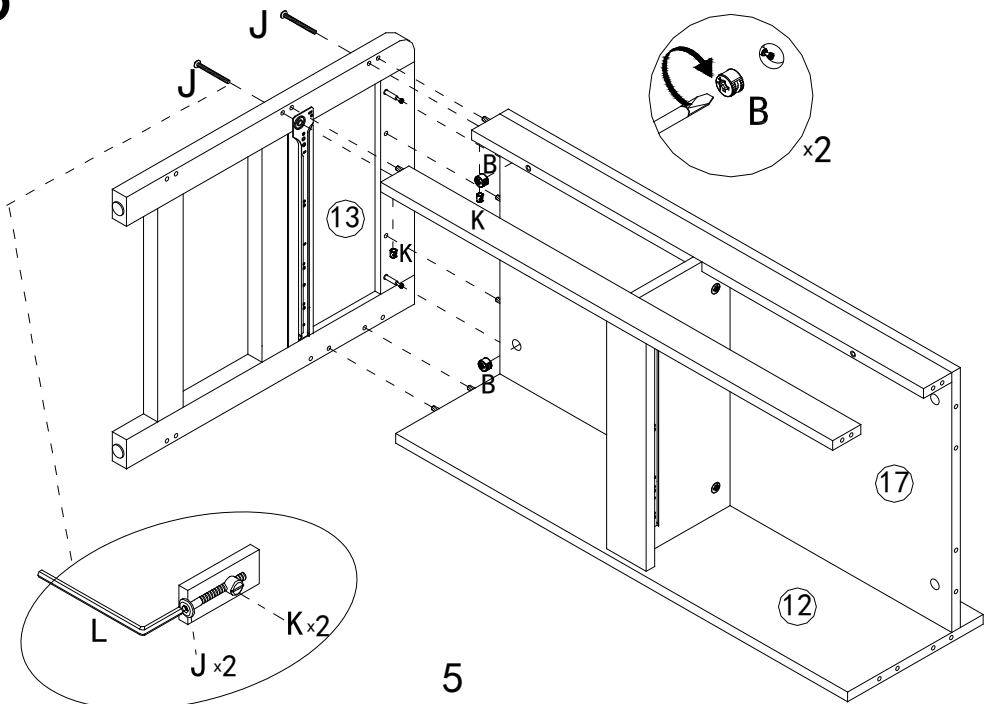
6



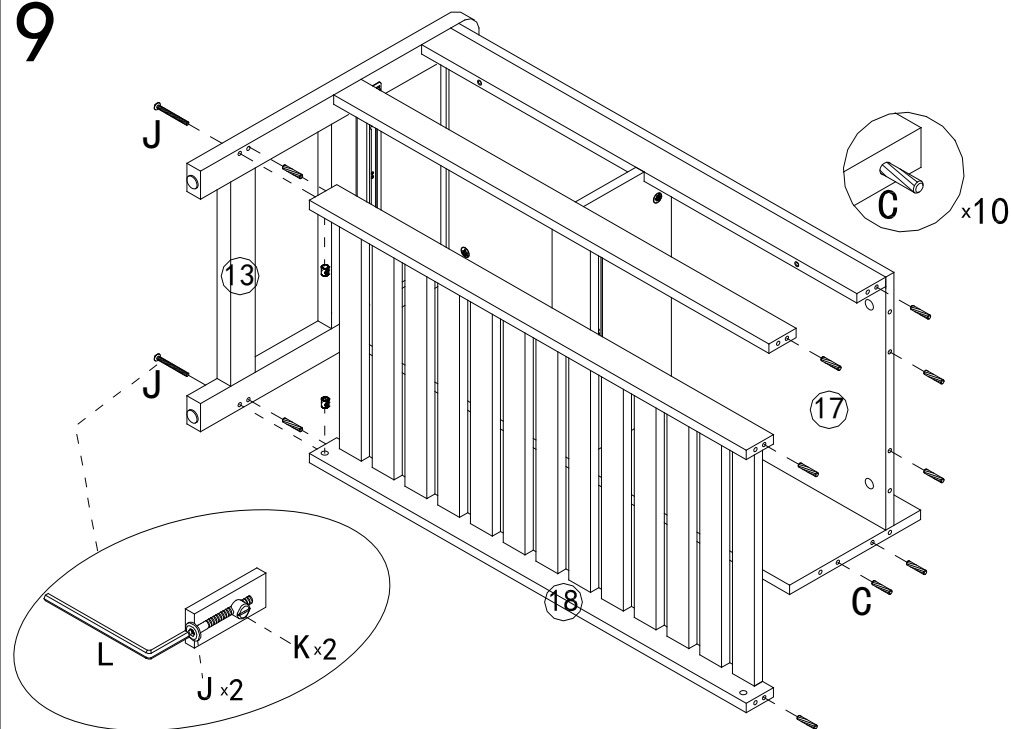
7



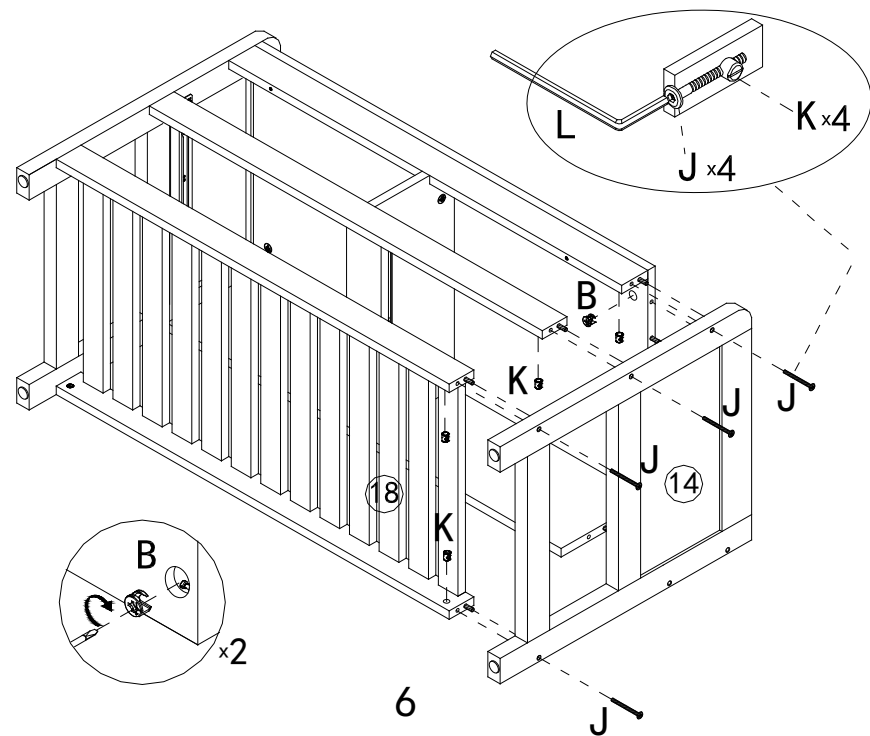
8



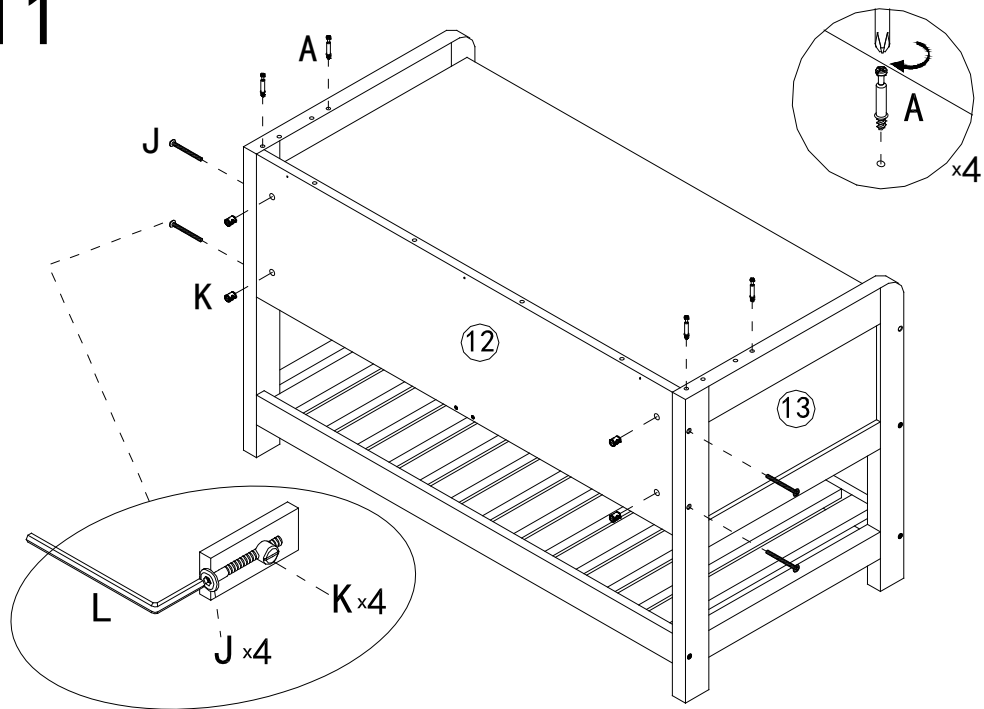
9



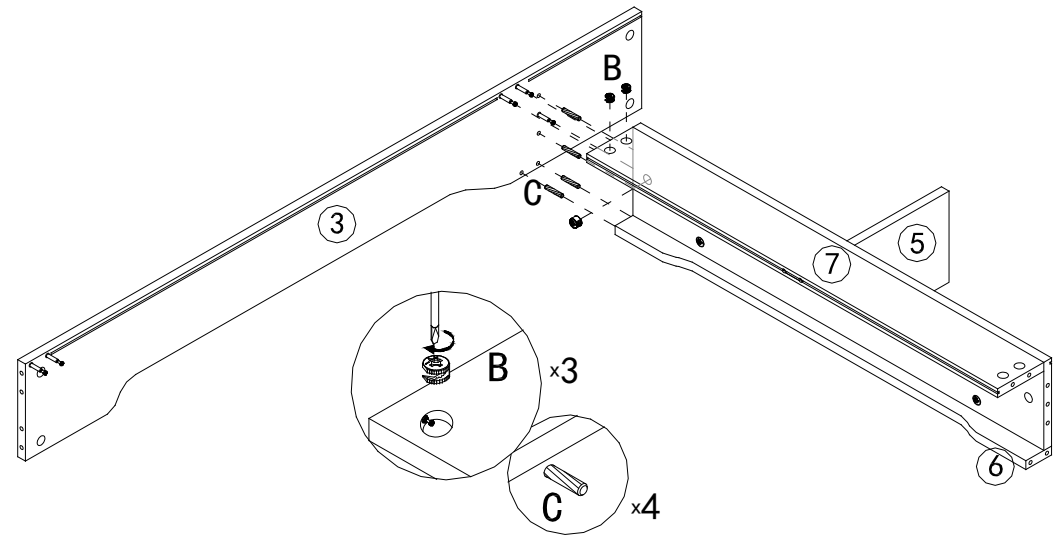
10



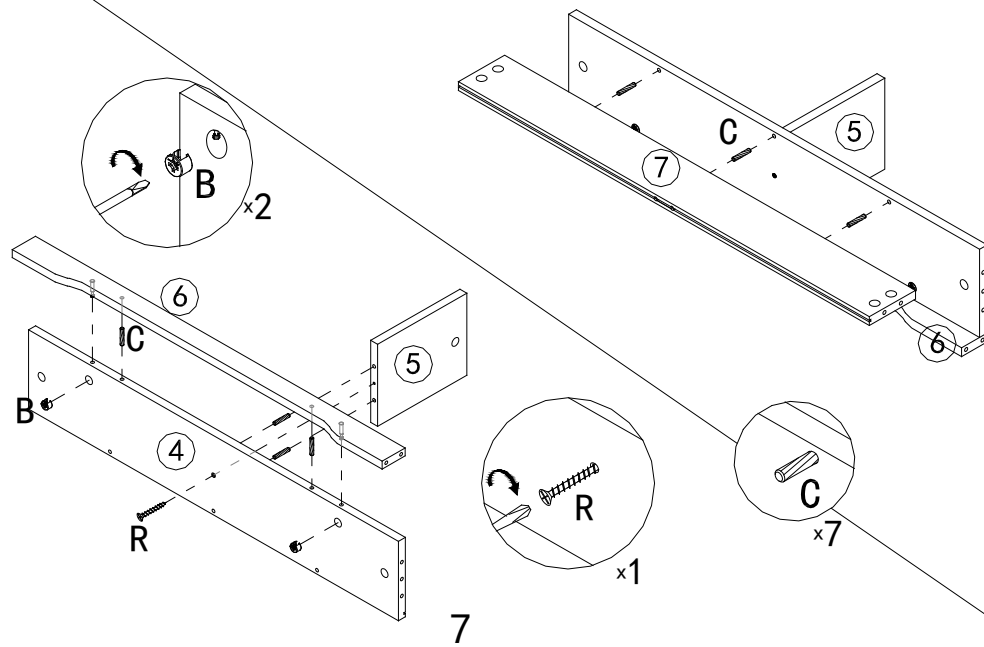
11



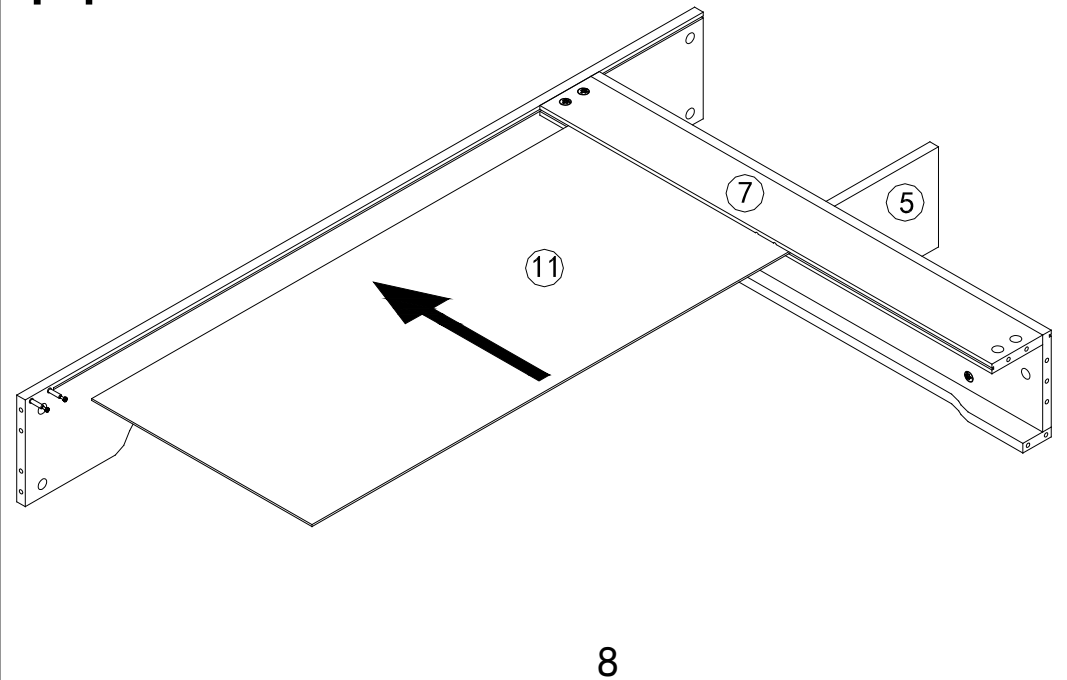
13



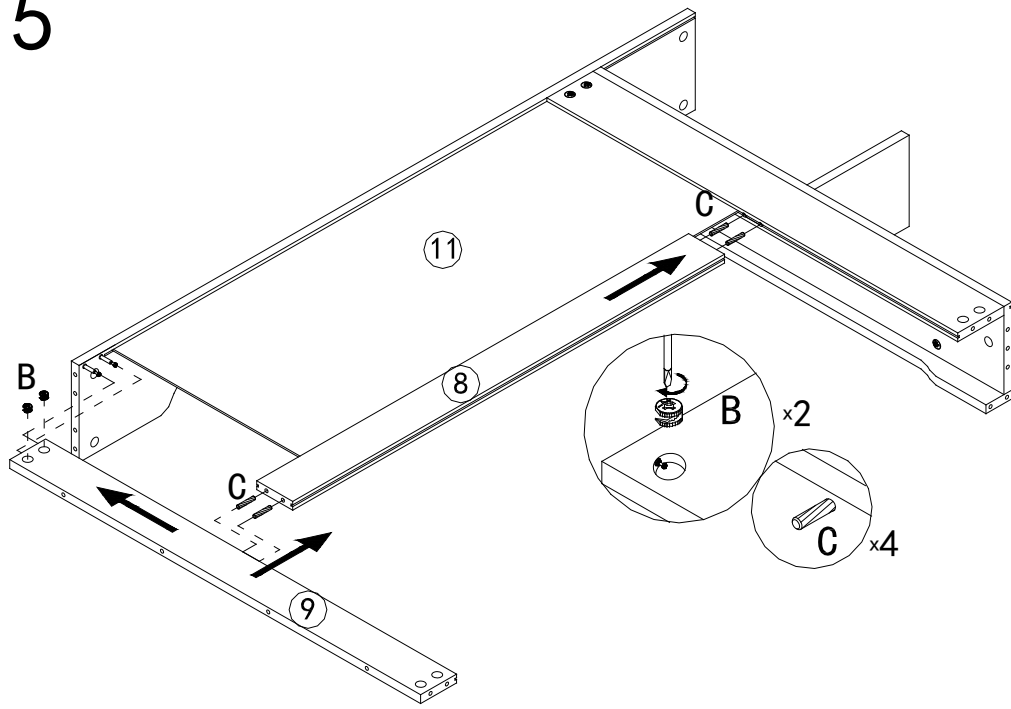
12



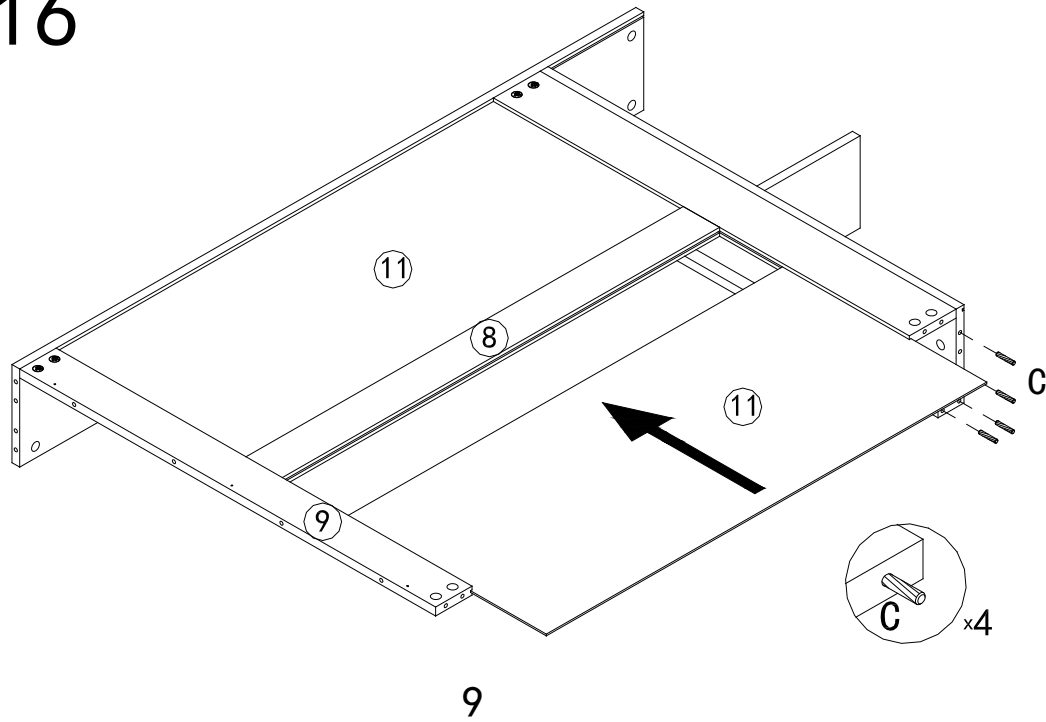
14



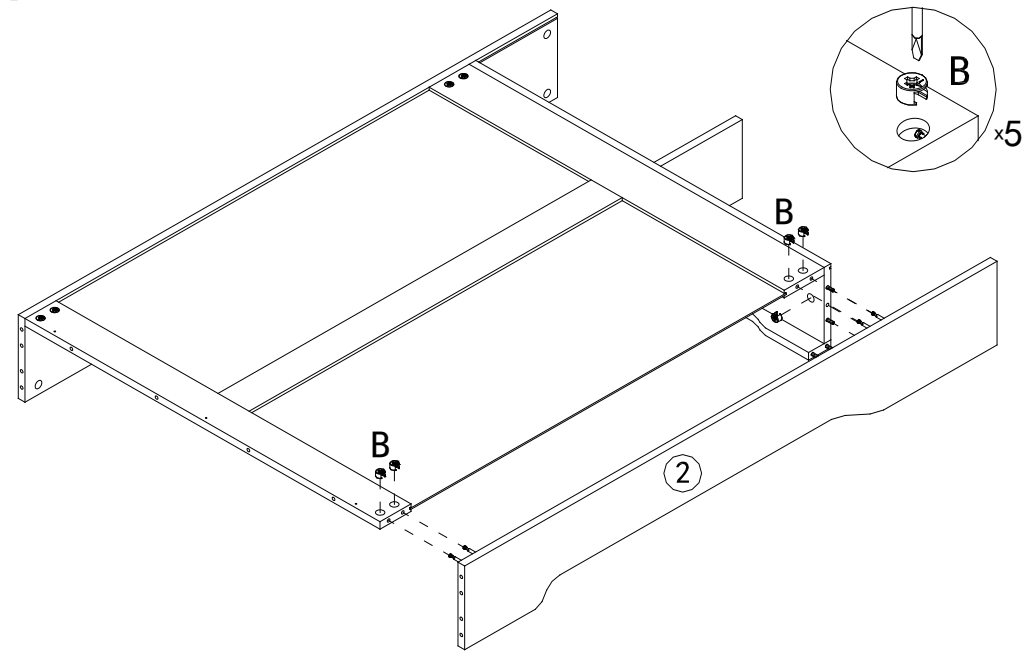
15



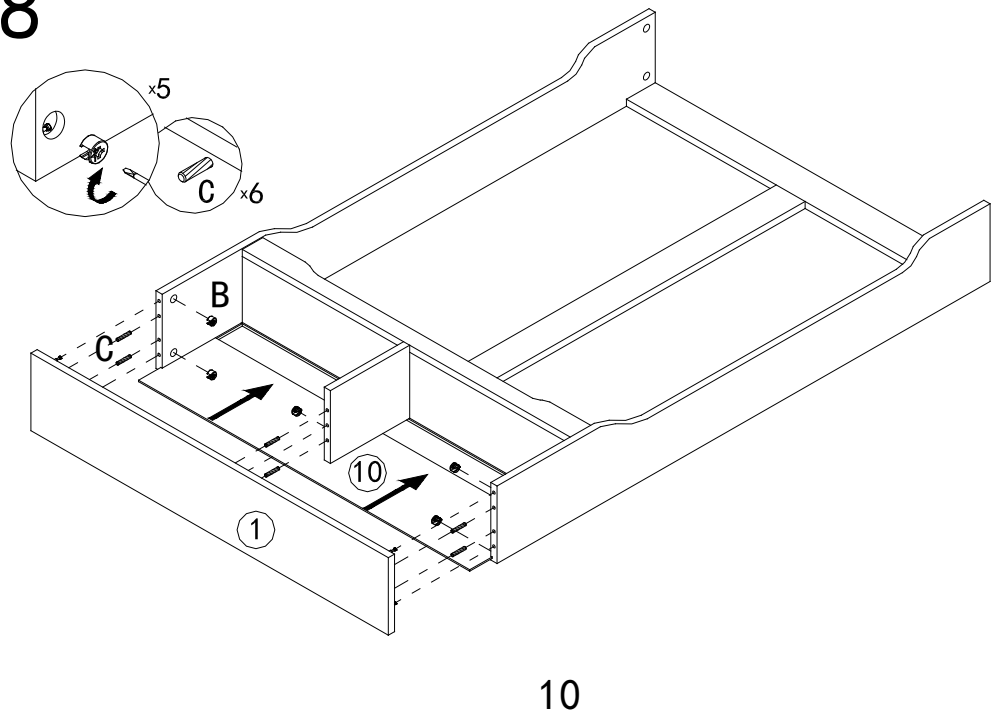
16



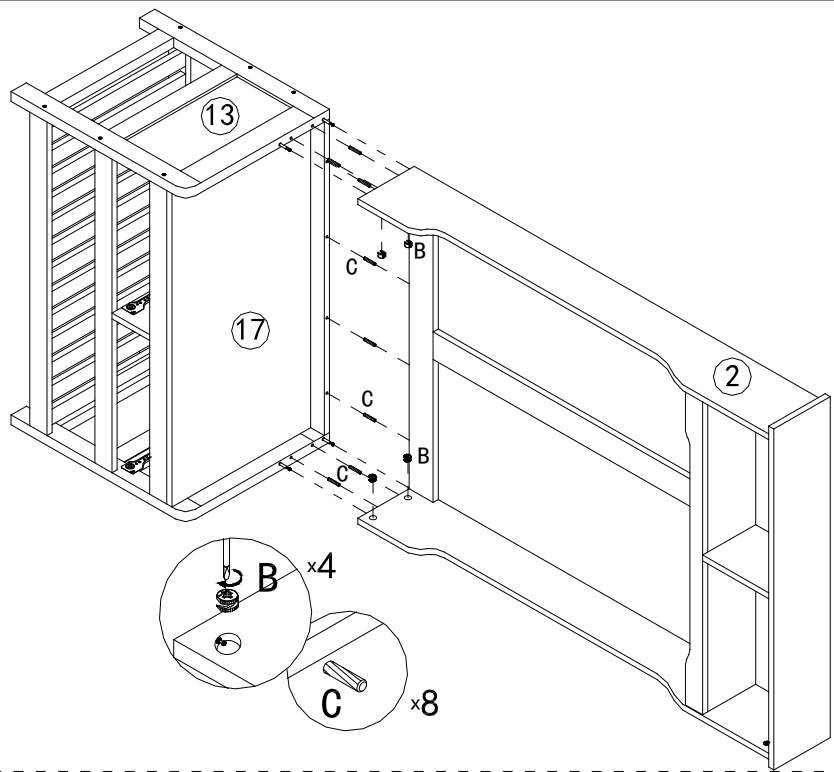
17



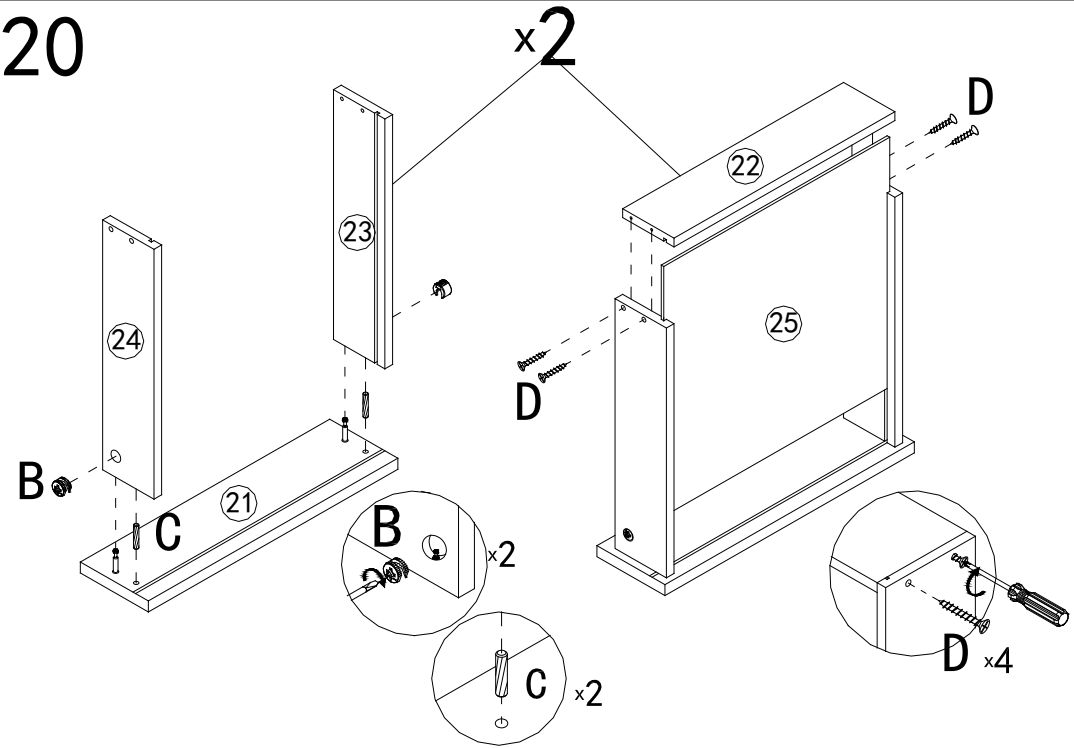
18



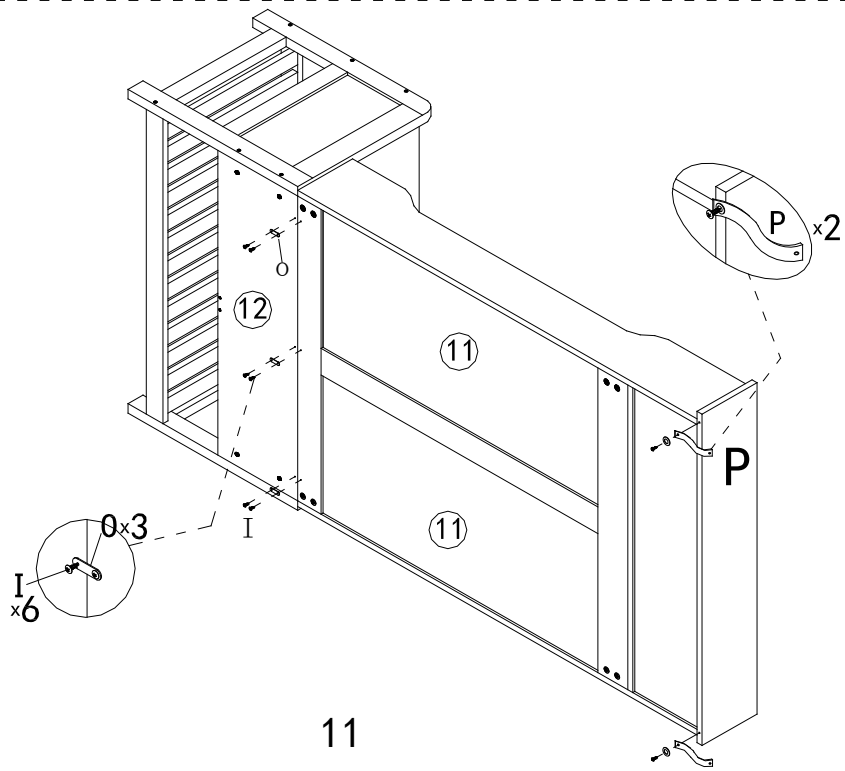
19



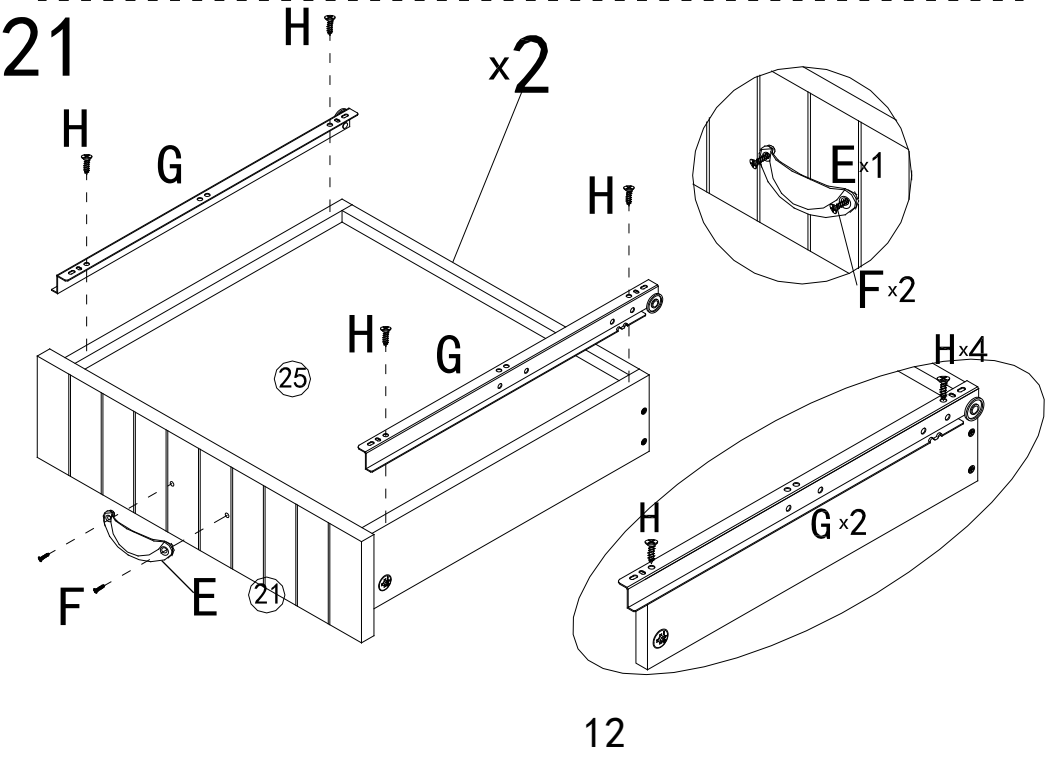
20



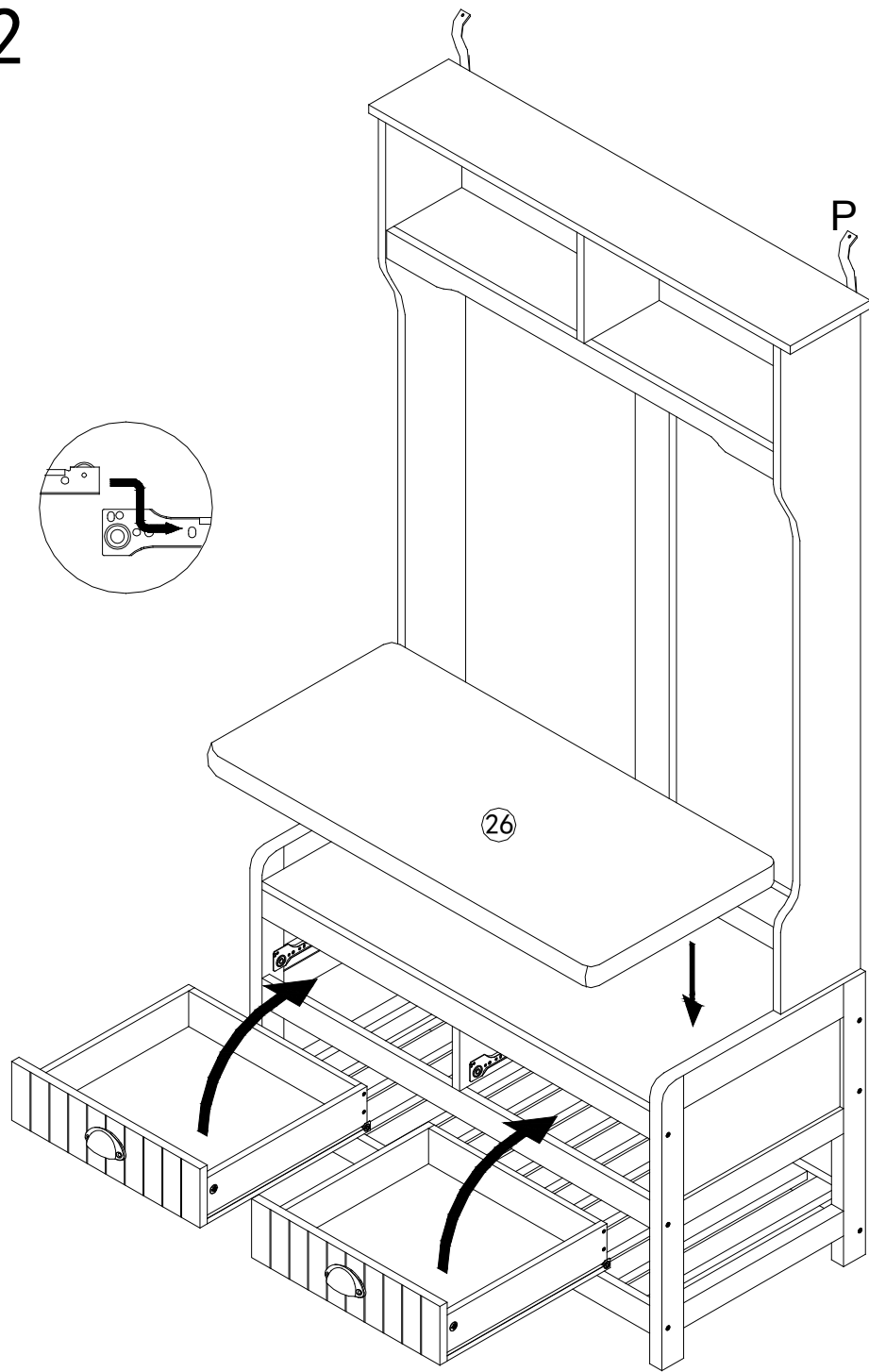
21



21

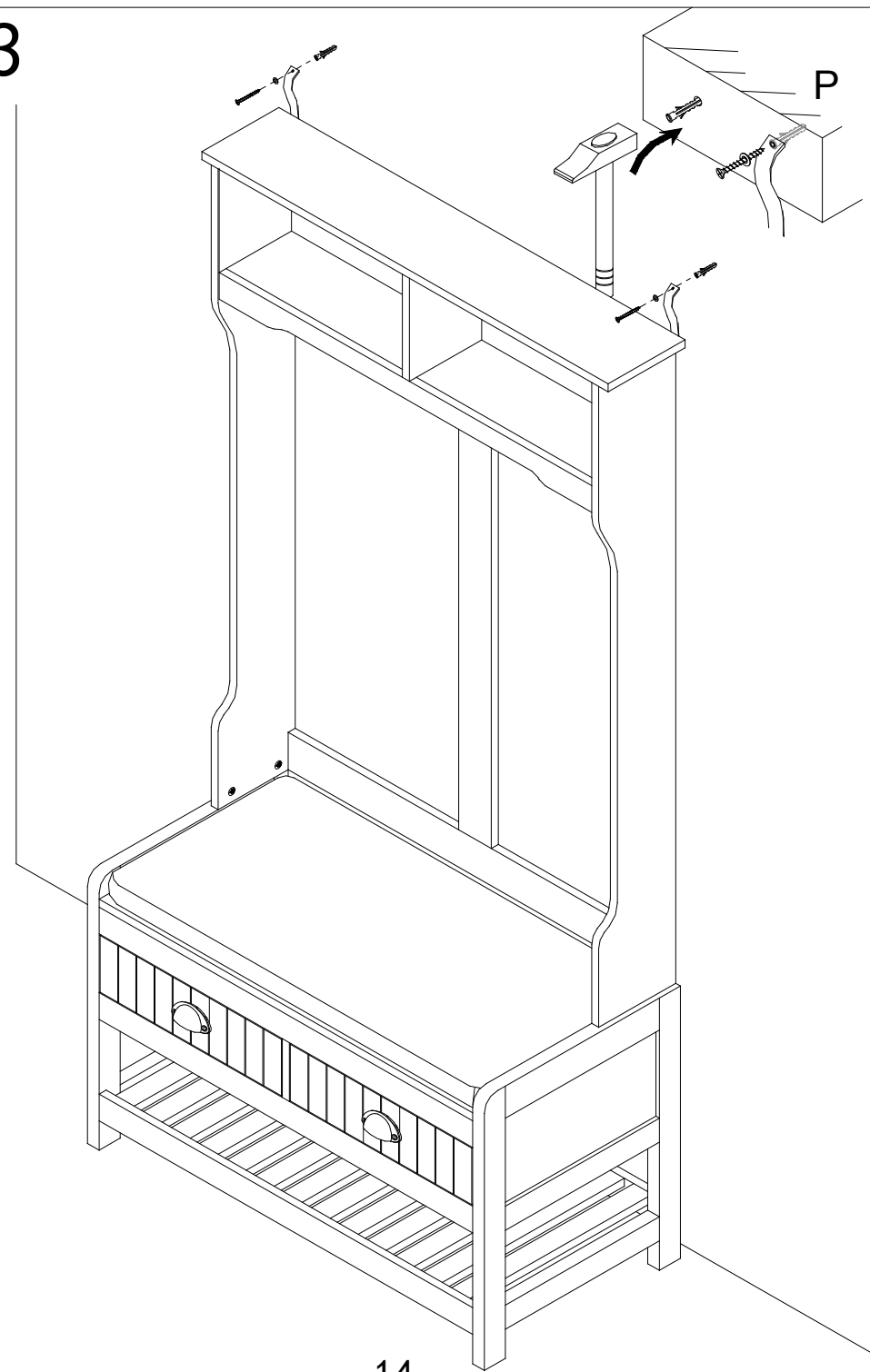


22



13

23



14