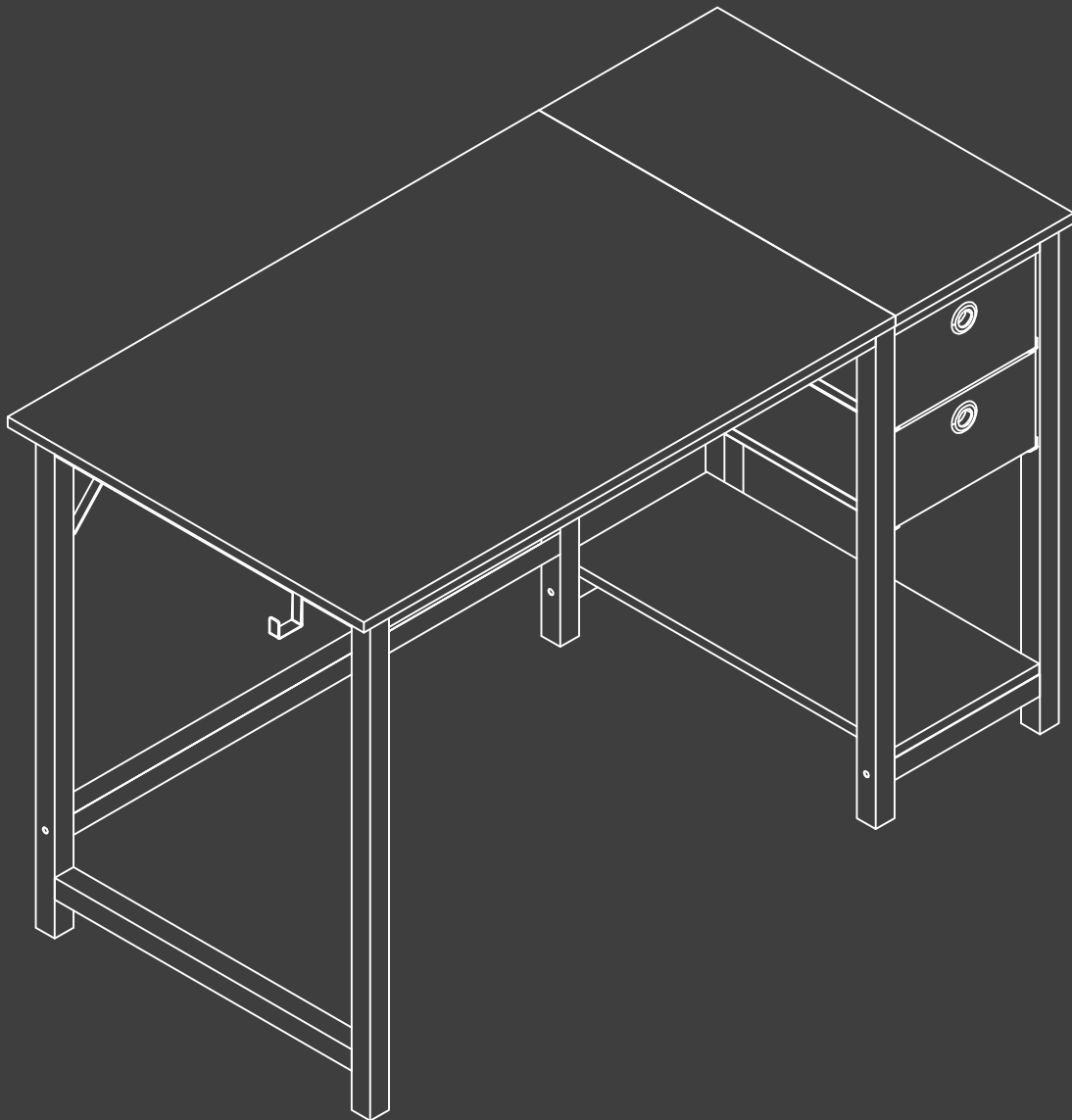


# Home Office Desk with Drawers

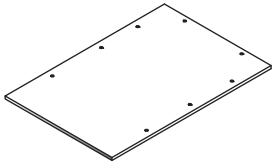
Instruction Manual



# 1 Component List

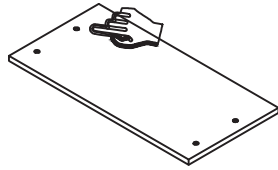
---

**A** X1



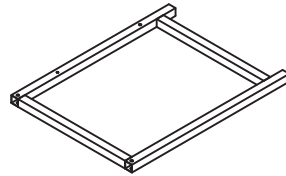
Desktop Board

**B** X1



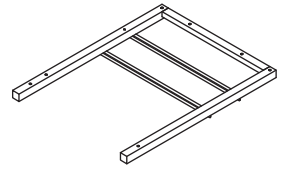
Splice Board

**C** X1



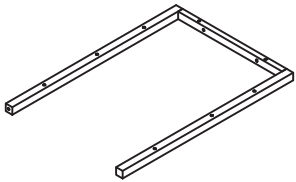
Left Leg Frame

**D** X1



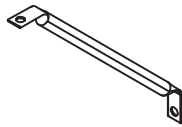
Drawer Left Frame

**E** X1



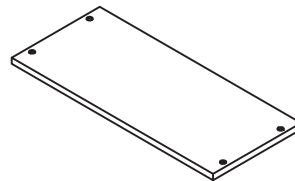
Fixed Frame

**F** X2



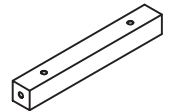
Inclined Reinforcement Tube

**G** X1



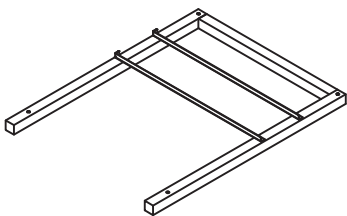
Lower Panel

**H** X4



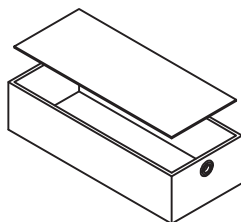
Connector Tube

**I** X1



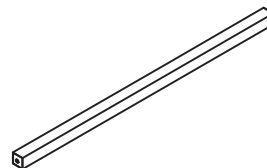
Drawer Right Frame

**J** X2



Drawer

**K** X1

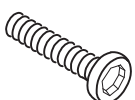


Rear Reinforcement Tube

# 2 Supplied Parts and Hardware

---

**1** X30



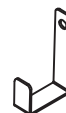
Screws

**2** X3



Screws

**3** X1

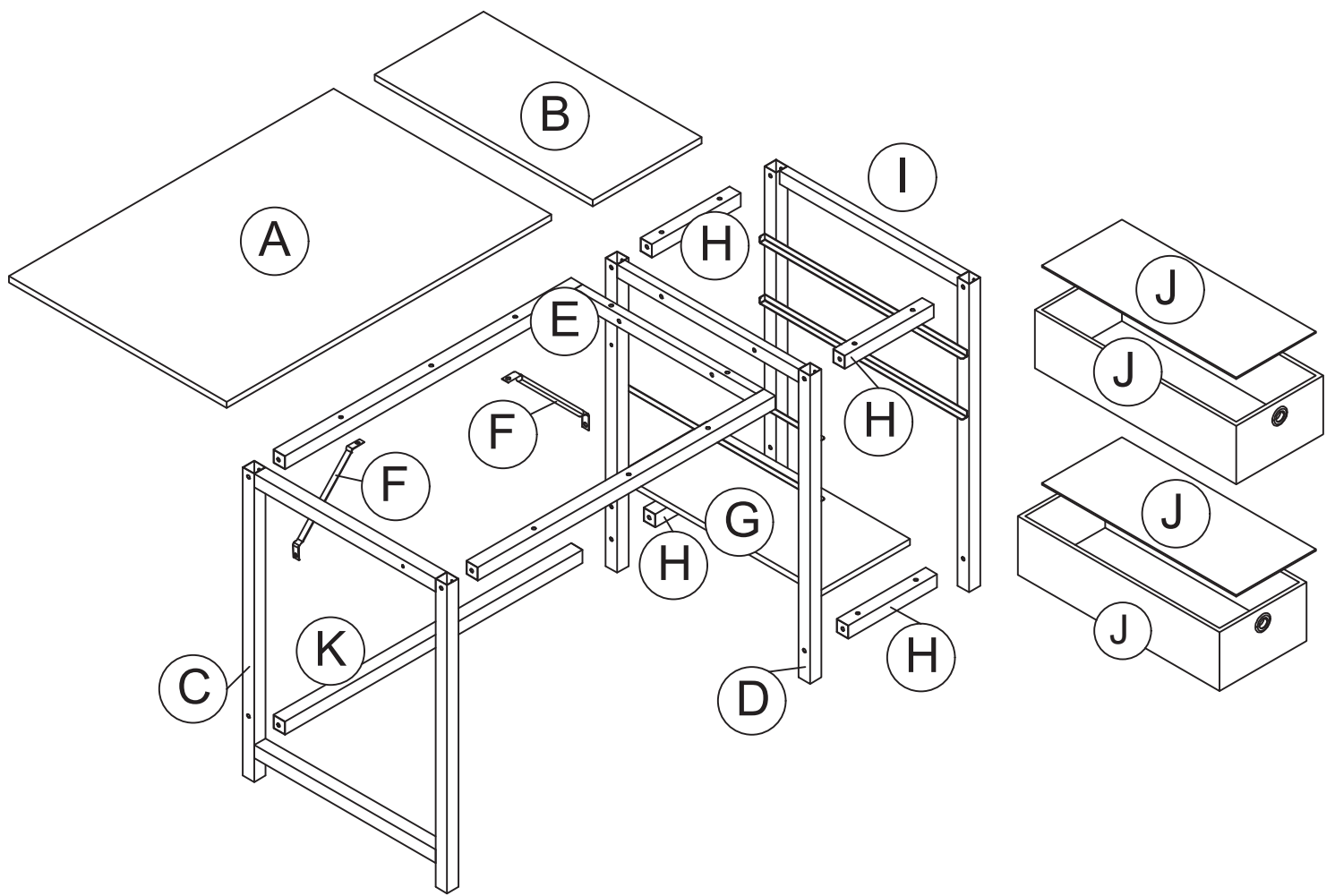


Hook

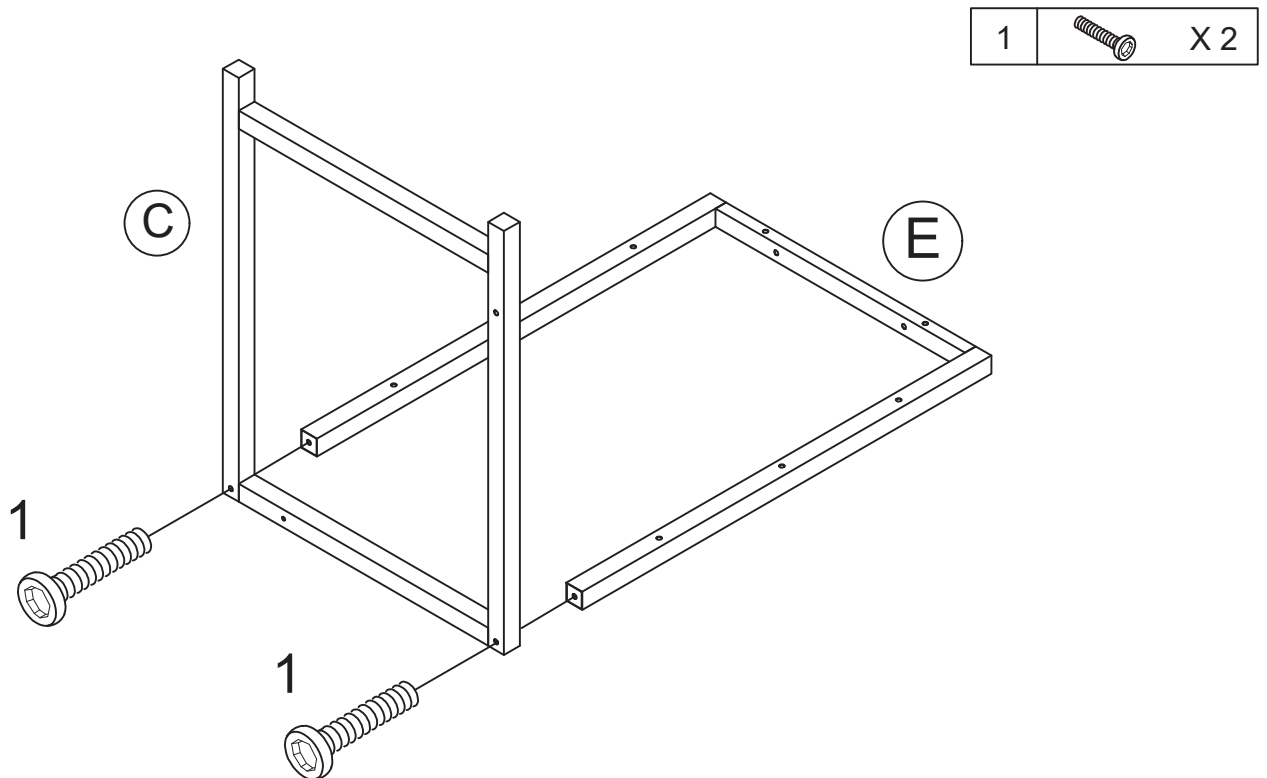
**4** X1



Wrench

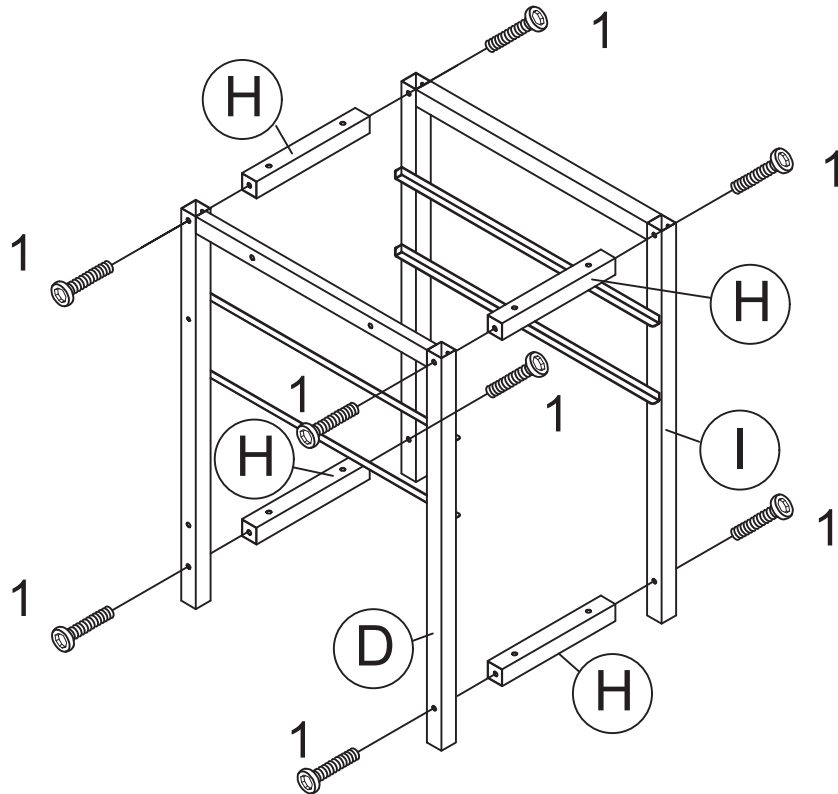


## Step 1



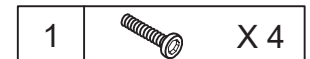
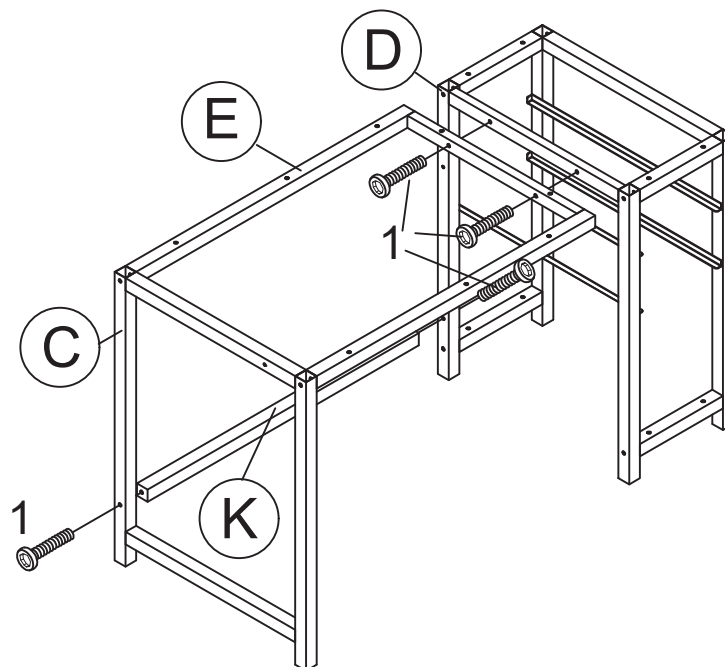
Install Fixed Frame (E) to the Left Leg Frame (C) with Screws (1)\*2.

## Step 2



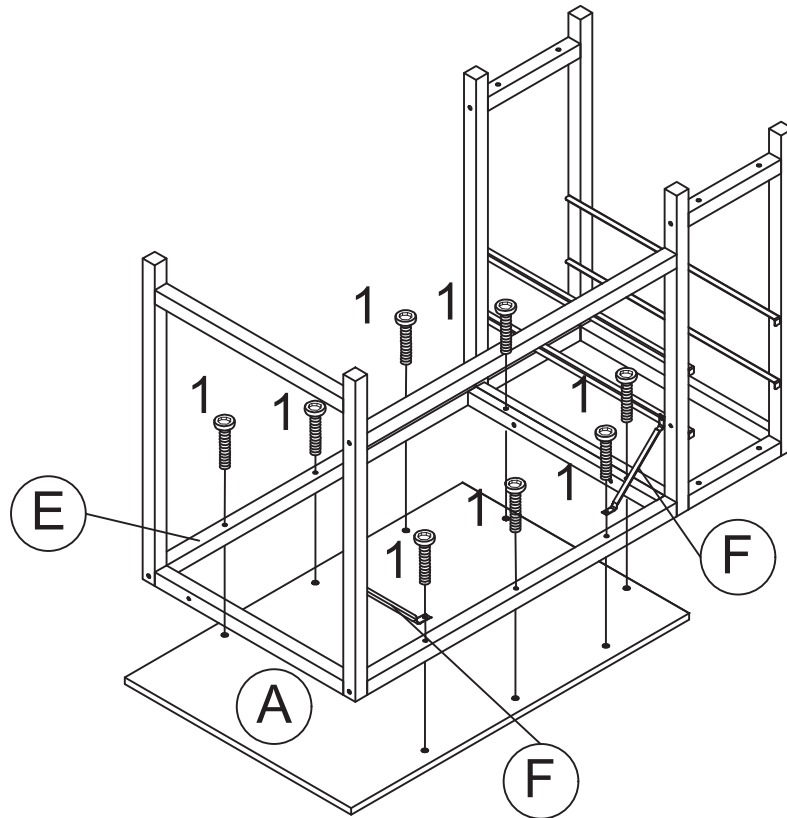
Install Connector Tube **(H)\*4** to the Drawer Frames **(D&I)** with Screws **(1)\*8**.

## Step 3



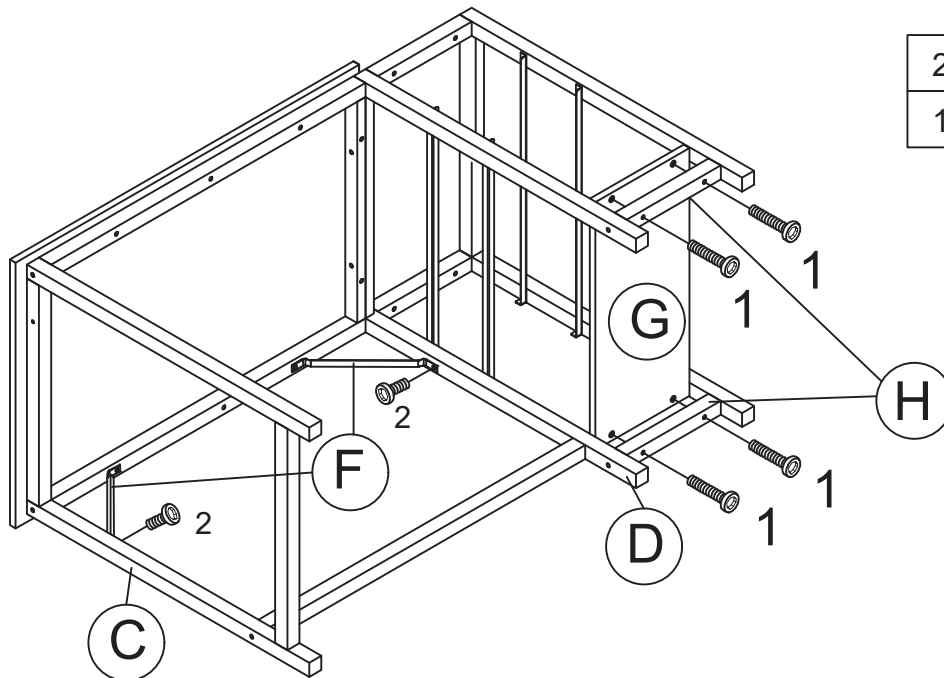
With Screws **(1)\*4**, install Fixed Frame **(E)** Part to the Drawer Left Frame **(D)** Part, and then install Rear Reinforcement Tube **(K)** to the bottom of the Left Leg Frame **(C)** and Drawer Left Frame **(D)**.

## Step 4




Install Desktop Board **(A)** to the installed frame with Screws **(1)\*8**. Two Screws **(1)\*2** need to pass through the Inclined Reinforcement Tube **(F)\*2** before installation.

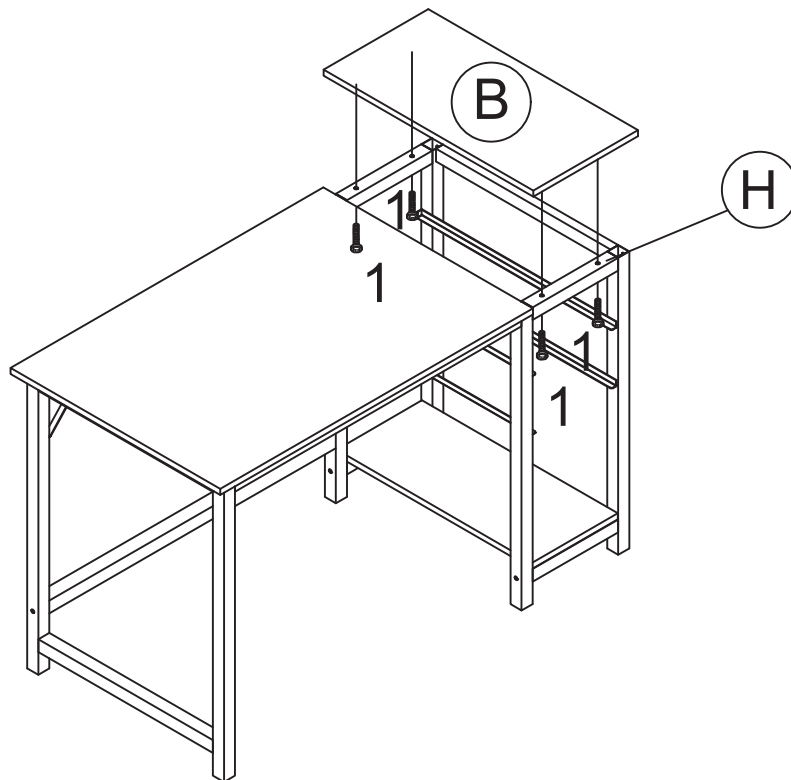
## Step 5



Install Inclined Reinforcement Tube **(F)\*2** to the Left Leg Frame **(C)** and Drawer Left Frame **(D)** with Screws **(2)\*2** and install Lower Panel **(G)** to the Connector Tube **(H)\*2** with Screws **(1)\*4**.

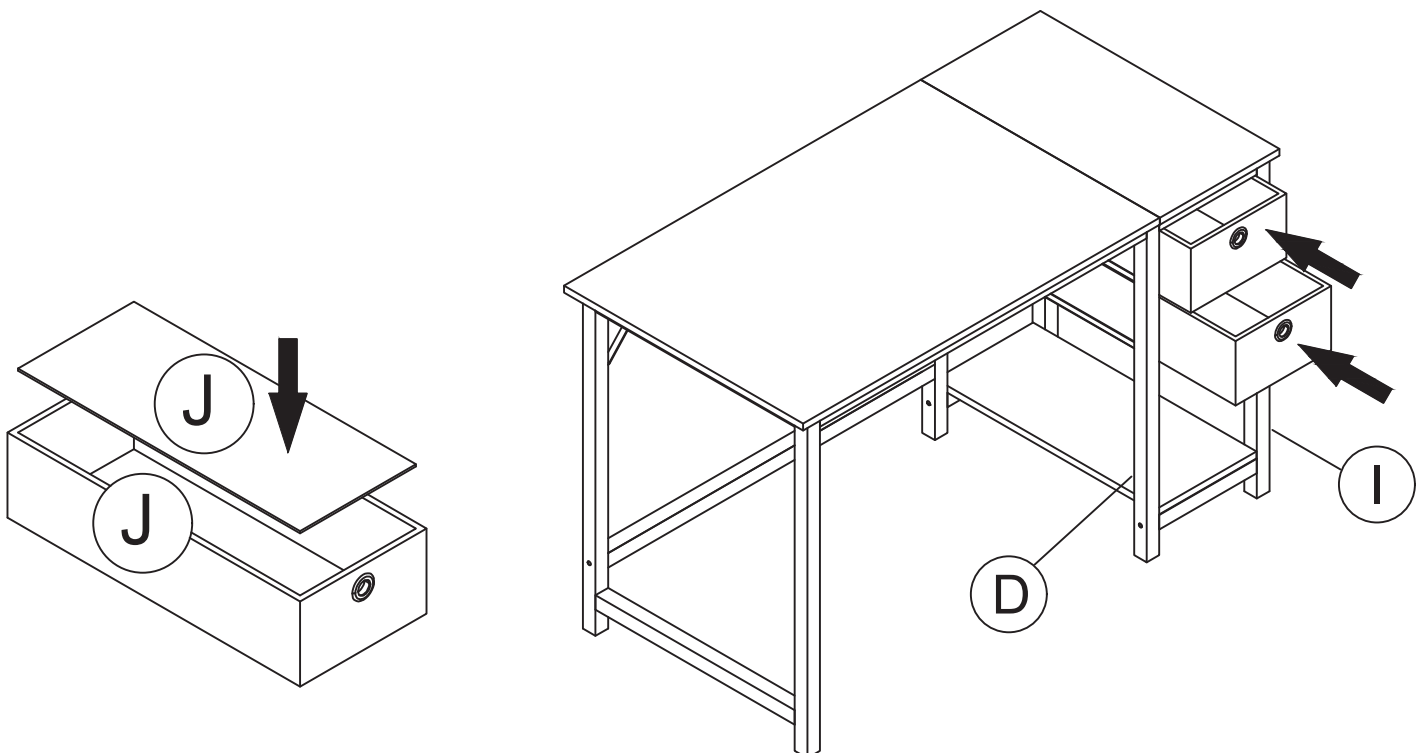
## Step 6

1		X 4
---	---	-----



With Screws **(1)\*4**, install Splice Board **(B)** to the Connector Tube **(H)\*2**

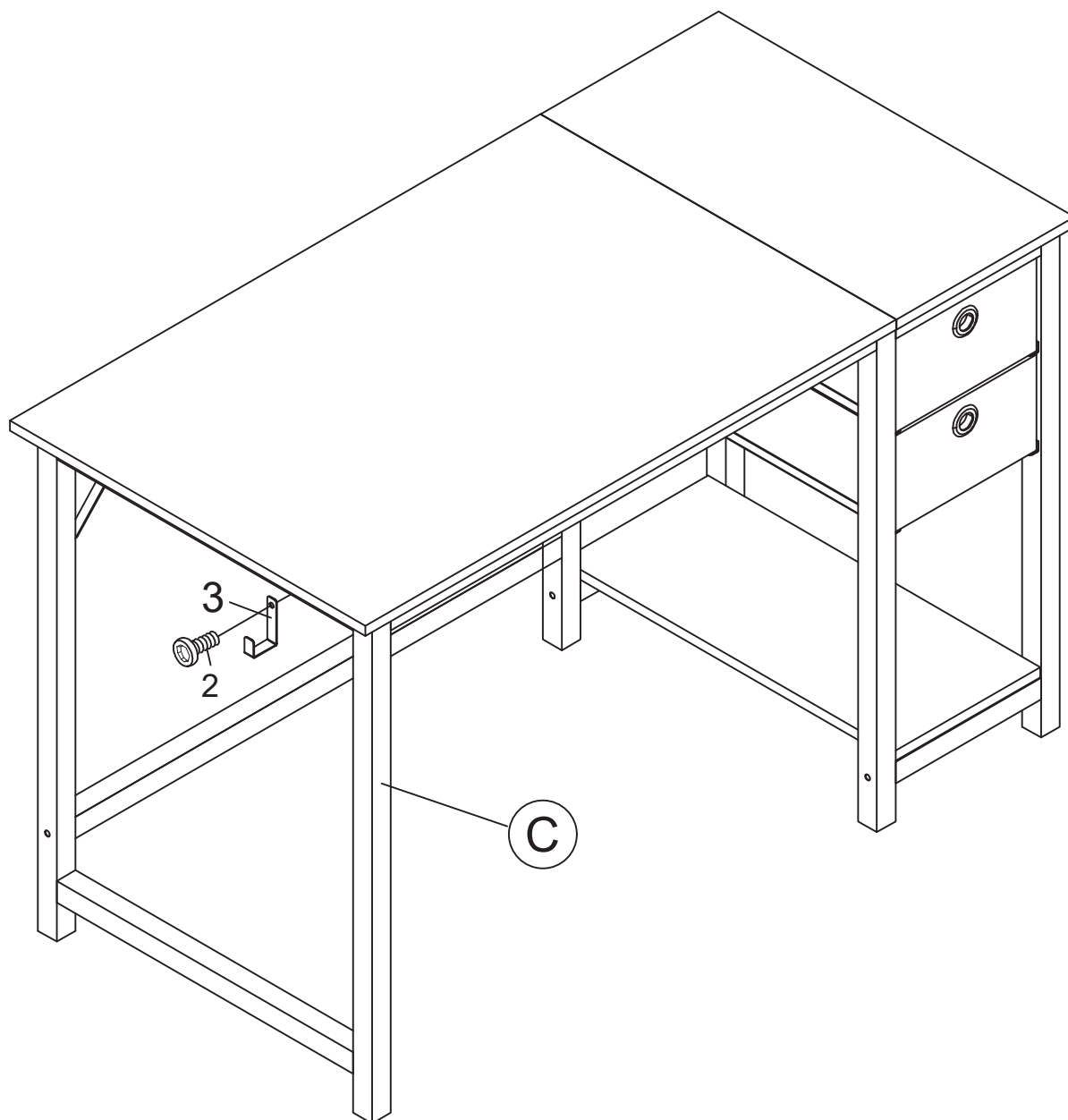
## Step 7



Put Drawer **(J)\*2** into Drawer Frames **(D&I)**.

# Step 8

2		X 1
---	---	-----



Attach Hook **(3)** to the Left Leg Frame **(C)** with Screw **(2)**.

