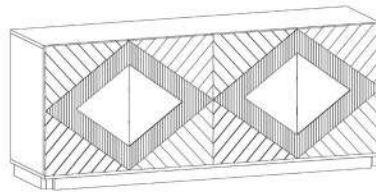


UPT-276807
ASSEMBLY INSTRUCTION



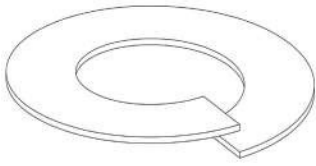
BOX QTY 1



LEG QTY 4



BOLT QTY 4



WASHER QTY 4



ALLENKEY QTY 1

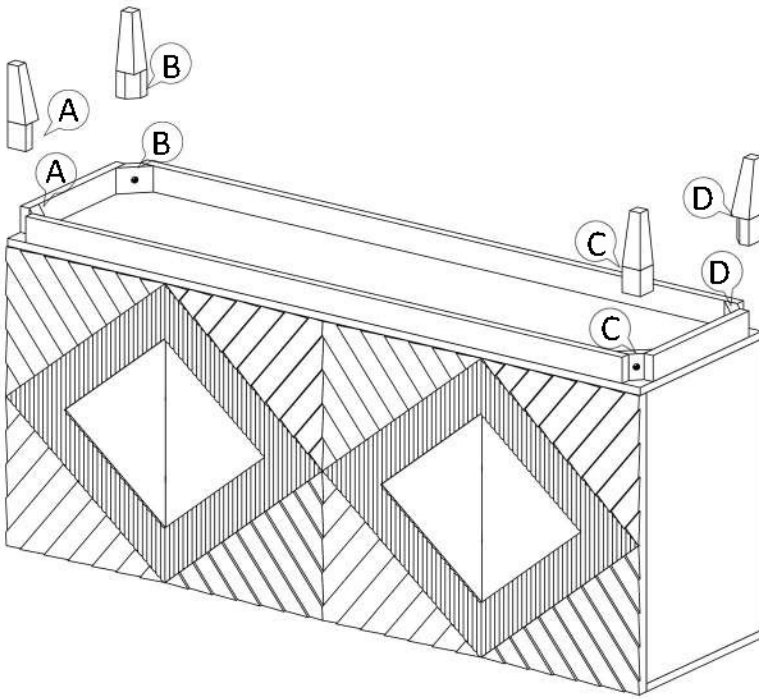


HANDLE QTY 4

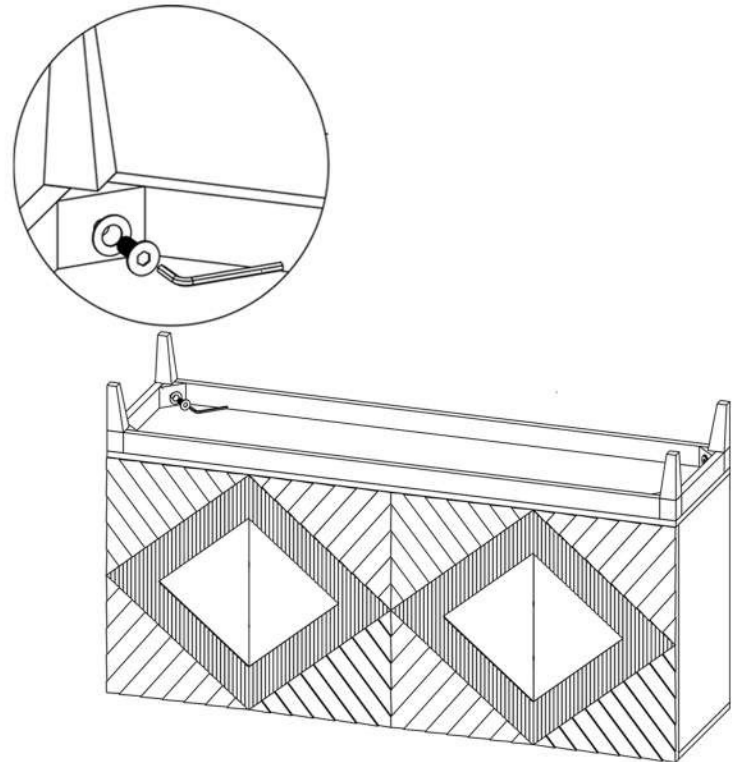


SCREW DRIVER QTY 1

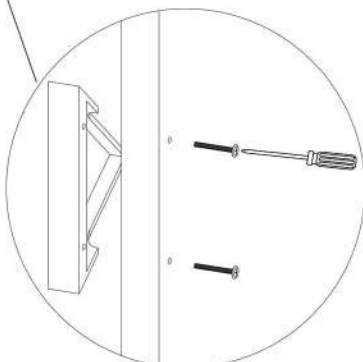
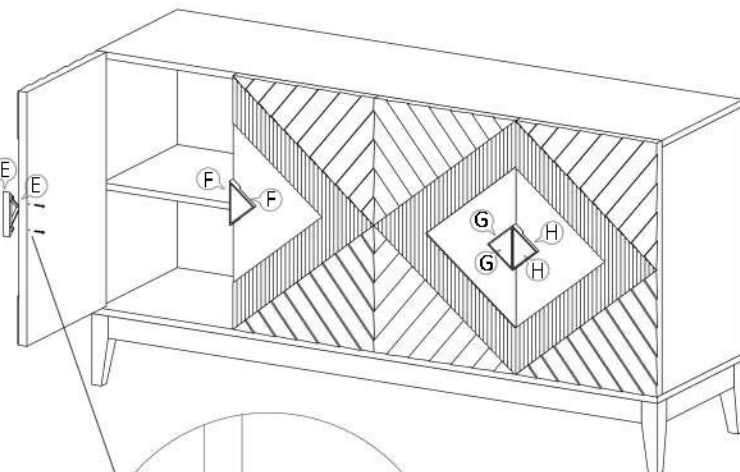
STEP 01



STEP 02



STEP 03



FINAL PRODUCT

