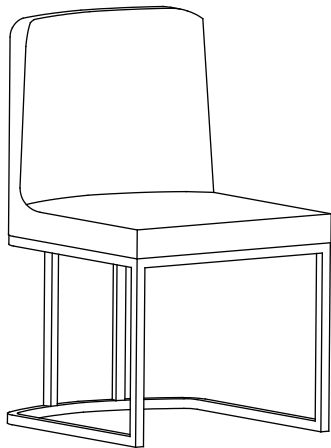


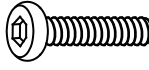


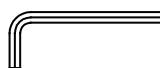
CHAIR

Before you start, here are some helpful advice:

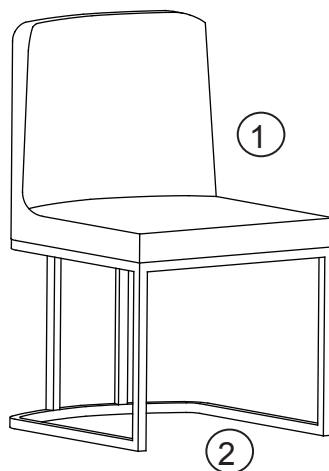
1. We suggest you spend a short time reading through this leaflet and then follow the simple step-by-step instructions.
2. Owing to the size and weight of the Chair, we recommend that it is assembled by two adults, on a carpeted or padded area, in the room that it is intended for. Approximate assembly time: 30 minutes.
3. Please do not use any tools other than those provided or recommended in these instructions.
4. Please do not throw away any of the packaging or the instruction until you have checked all the components and hardware and the furniture is fully assembled. Please ensure that the packaging is disposed of in a safe and environmentally friendly way.
5. Assemble all components loosely until advised to tighten. Depending on use, it may be necessary to tighten the components from time to time, so please save the tools that have been provided.
6. Please keep all pieces out of reach of children.



Hardware :

- | | | | |
|----|--|---------------|----|
| A. |  | Bolt M6X20mm | x4 |
| B. |  | Flat Washer | x4 |
| C. |  | Spring Washer | x4 |
| D. |  | Allen Wrench | x1 |

Components:



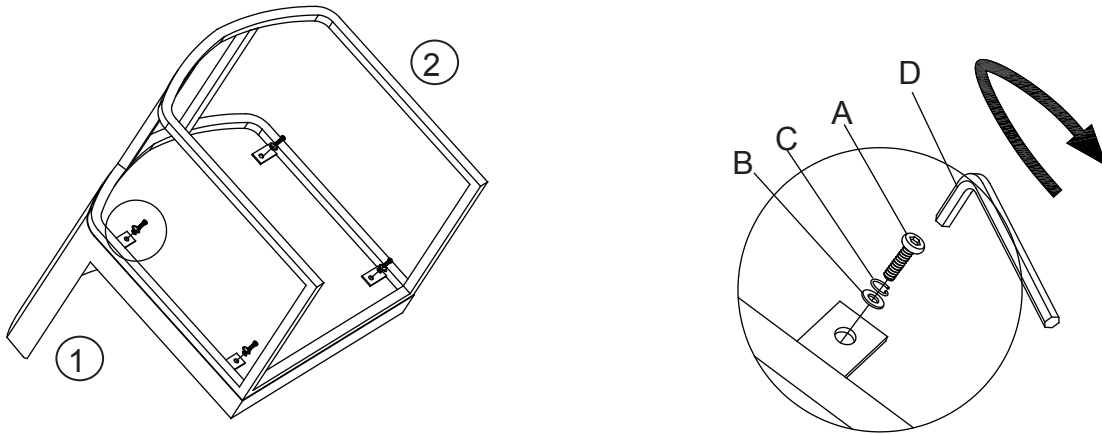
① Chair Body x1

② Steel Frame x1

CHAIR

STEP 1:

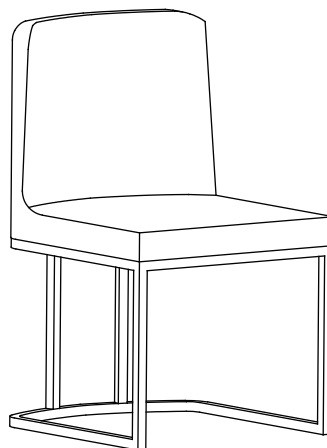
1. Please find the **Steel Frame (2)** on the seat, then put **Chair Body (1)** upside down on a carpeted or padded surface.
2. Attach 1 piece of **Steel Frame (2)** to the bottom of **Chair Body (1)** by using 4 pieces of **Bolts (A)** with 4 pieces of **Flat Washers (B)** and 4 pieces of **Spring Washers (C)** as shown.
3. Use **Allen Wrench (D)** to tighten the **Bolts (A)** clockwise as shown.



A×4	B×4	C×4	D×1

STEP 2:

Carefully turn over the assembled Chair.



Assembly is complete. Your Chair is ready to enjoy now!