

Installation Instructions

1. Read all instructions before installing product.
2. Open the package and check if the product is in good condition; tools required for installation do not come with product, please prepare by yourself.
3. The installation attentions are written in this manual, please keep it properly.
4. The dimensional drawing only for reference purpose, so please see the real product.

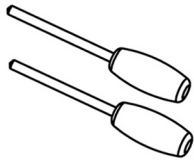
Recommended Tools:



Teflon Tape

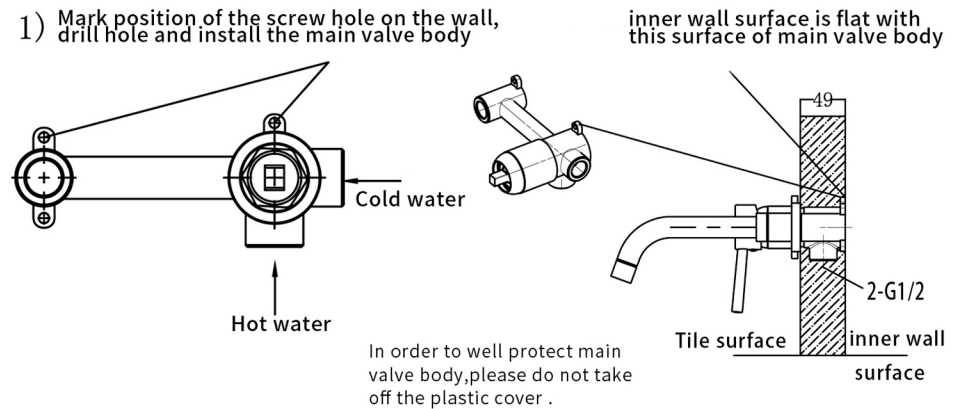
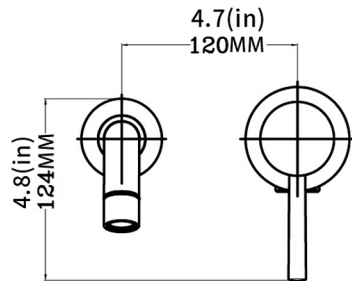
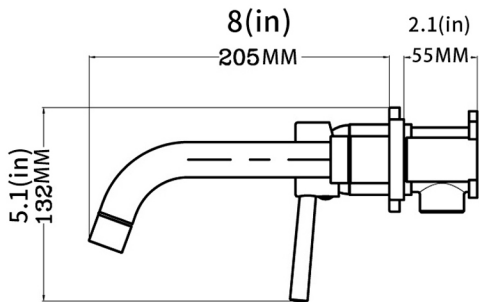


Allen Key



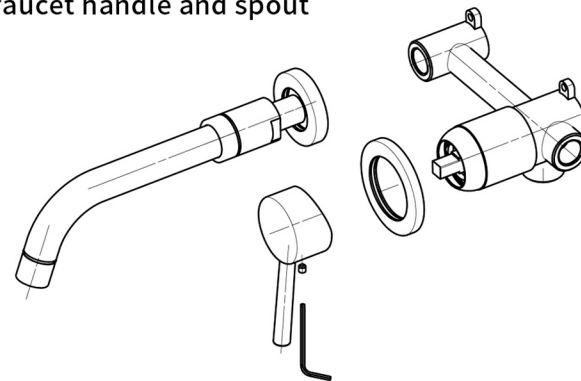
Phillips
Flathead Screwdriver

Faucet Demension:



- 2) After well install the main valve body, please install the faucet as the following drawing:

1. Take off plastic cover;
2. Install the faceplate
3. Install faucet handle and spout



Warning:

1. Before installation, flush the water supply pipes throughly to remove the debris.
2. Install faucet water inlet correctly (left-hot water, right-cold water)
3. Made sure the maximum temperature of hot water less than 80°C