
32"–48" Laundry Dual Shelf INSTALLATION GUIDE

page 1

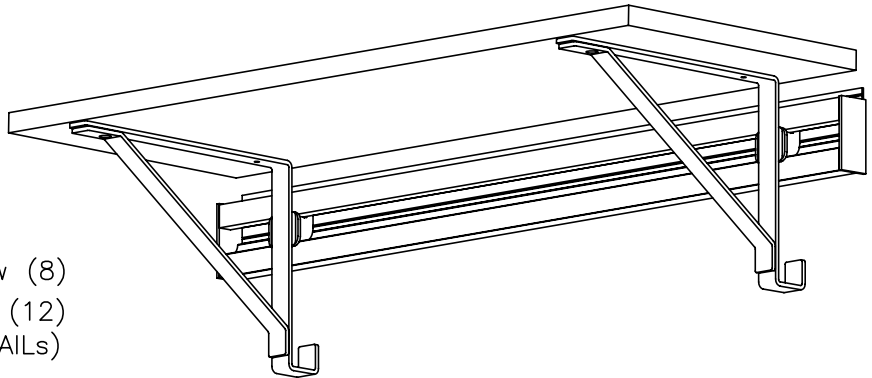
The instructions below will make installation & assembly as simple as possible. We recommend reading these instructions BEFORE beginning installation. Becoming familiar with all the components will also make your installation quick & easy.

WARNING:

It is important that RAILS be installed properly per the instructions below. If the system is incorrectly installed or assembled it could become unstable or collapse, possibly causing damage or injury.

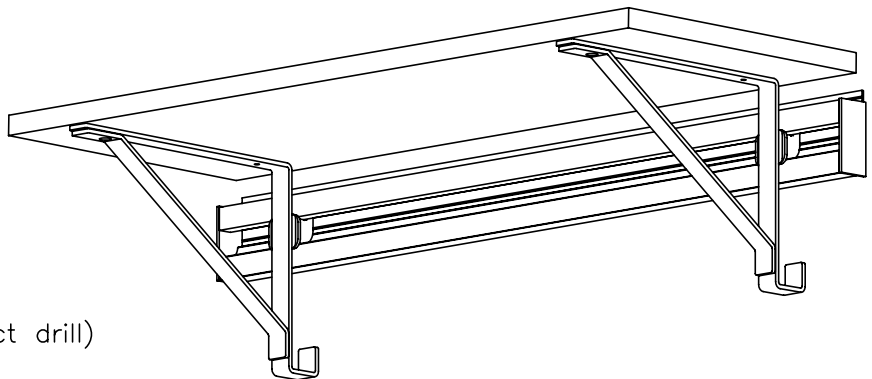
CONTENTS:

- A) RAIL with End Caps(B) (2)
- C) Brackets (4)
- F) Shelf (2)
- G) #8 x 3/4" Phillips Panhead Screw (8)
- H) #10 x 2" Phillips Panhead Screw (12)
(16 included for 48" RAILS)

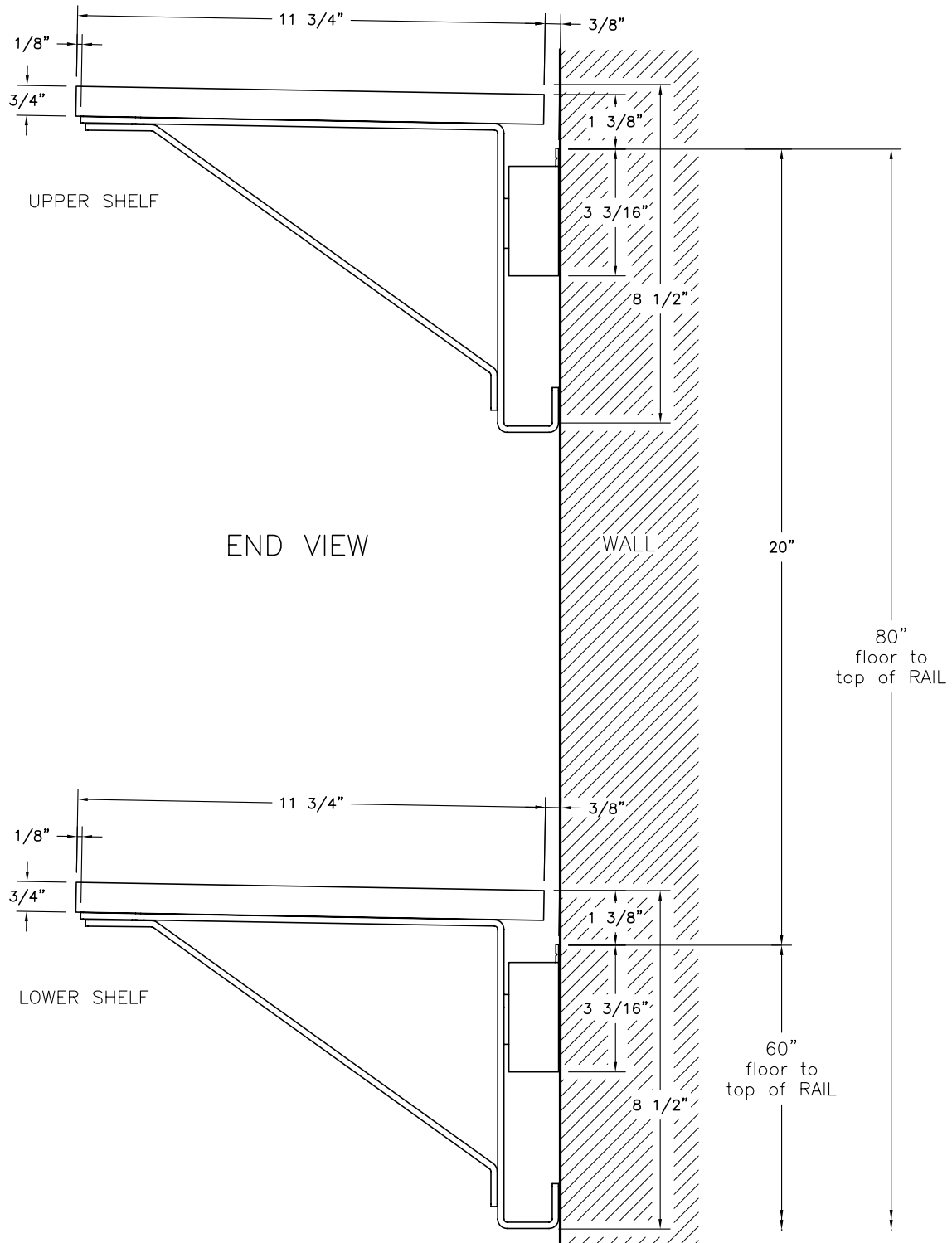


TOOLS:

- Impact drill for driving screws into studs (optional)
- Drill with 3/16" bit & APEX #2 Phillips screwdriver bit 2 3/4" long or longer
- 7/64" drill bit for pre-drilling studs (not needed if you have impact drill)
- Tape Measure
- Level



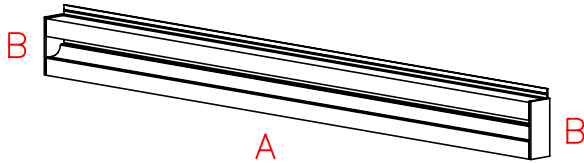
32"–48" Laundry Dual Shelf
INSTALLATION GUIDE



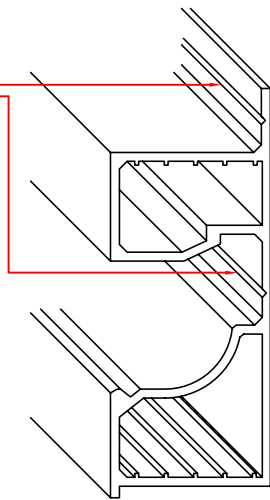
STEP 1

MOUNT RAIL INTO WOOD STUDS

The RAIL must be mounted into the solid wood of wall studs. Standard stud spacing is 16" from center to center. RAIL can shift left or right as desired so long as it is supported by all available studs (at least 2). It is unsafe to mount the RAIL in any other manner. If you are unsure how to install the RAIL, please consult a qualified carpenter or handyperson.



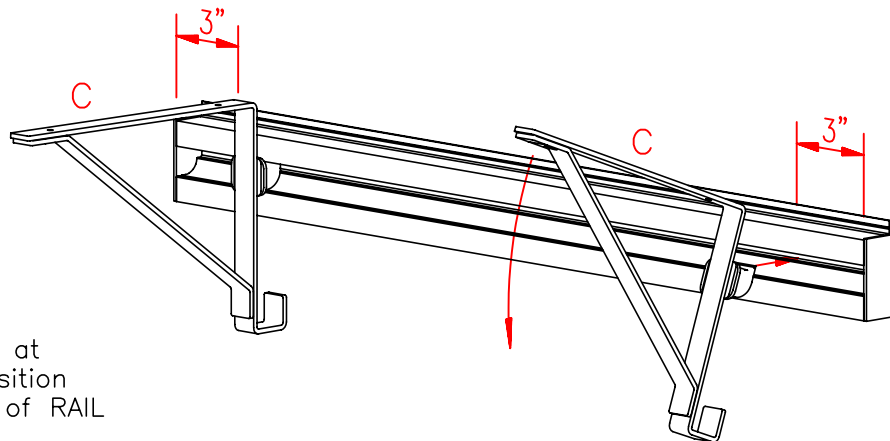
Top & Middle
Screw Guide
Grooves



- i. Measure for RAIL height & desired position (see diagrams on page 4)
- ii. Locate studs. **Do not use drywall anchors.** Mark stud centers on RAIL upper and middle screw guide grooves. Drill holes in the RAIL only using the 3/16" drill bit.
- iii. If using an impact drill skip this step. Pre-drill wood studs using a 7/64" drill bit.
- iv. Anchor the RAIL to the wall using the #10 x 2" wood screws (H) provided. Do not over tighten as RAIL can bend. Secure the top center screw first. **IMPORTANT – Make sure the RAIL is level before drilling mounting holes. If the RAIL is not level the system will not function properly.** Then attach the remaining screws.

STEP 2

UPPER SHELF: INSTALL BRACKETS

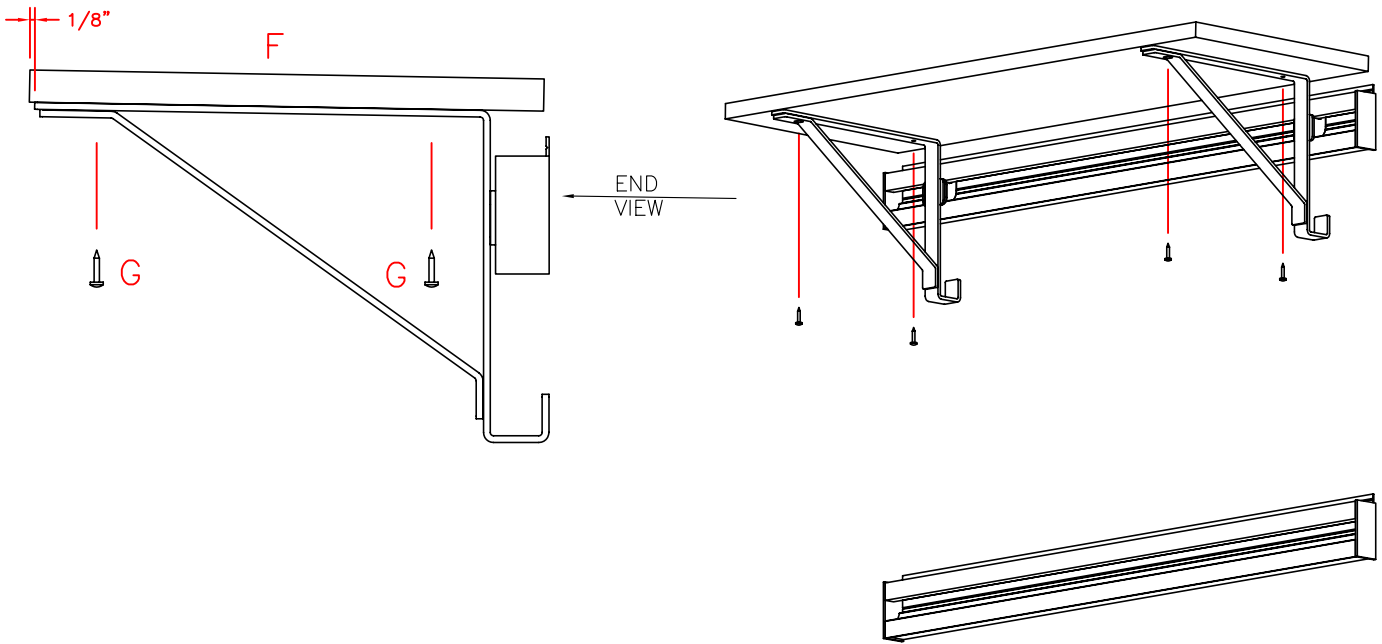


Insert bracket peg into RAIL at an angle and pull down. Position brackets 3" from each end of RAIL

STEP 3

ATTACH TOP SHELF

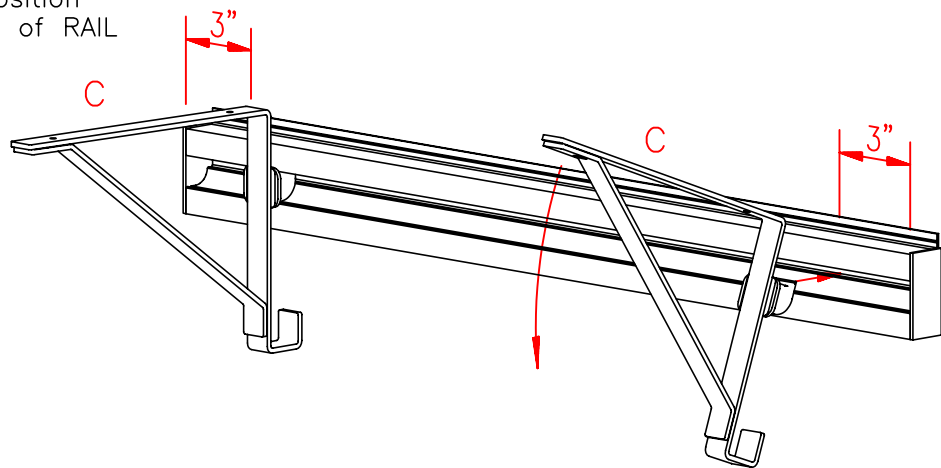
Fasten shelf to brackets with #8 self tapping screws from underside using Apex bit. No need to pre-drill

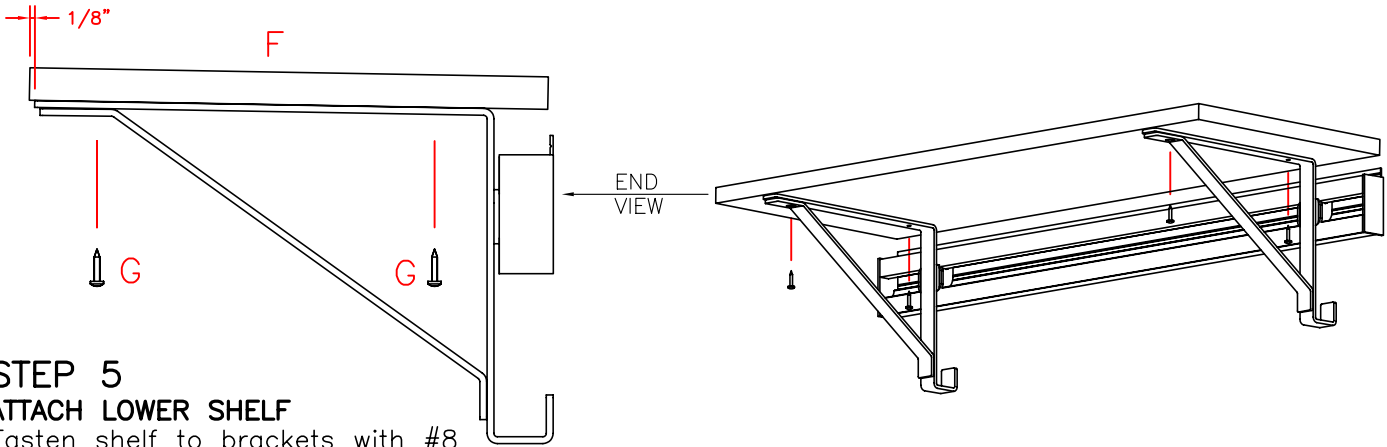


STEP 4

**LOWER SHELF:
INSTALL BRACKETS**

Insert bracket peg into RAIL at an angle and pull down. Position brackets 3" from each end of RAIL





STEP 5
ATTACH LOWER SHELF

Fasten shelf to brackets with #8 self tapping screws from underside using Apex bit. No need to pre-drill

RAIL HEIGHT
Configuration

