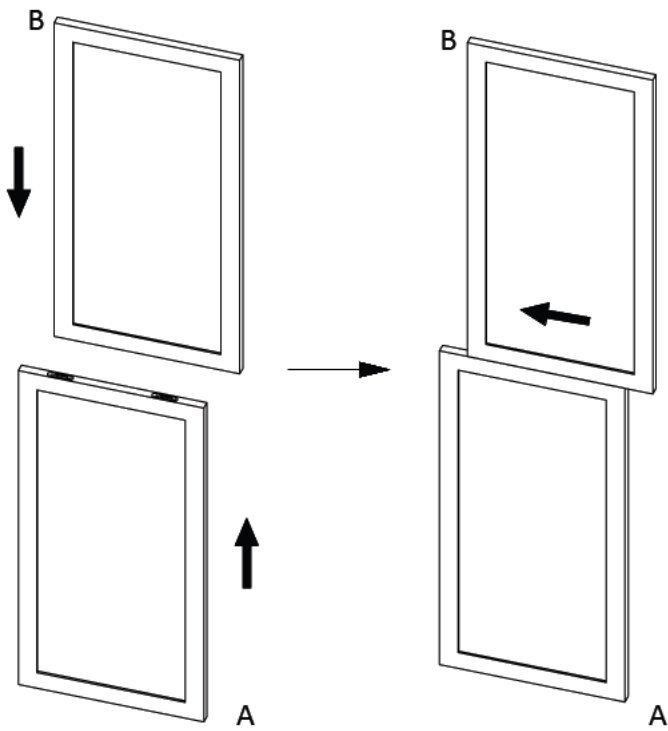
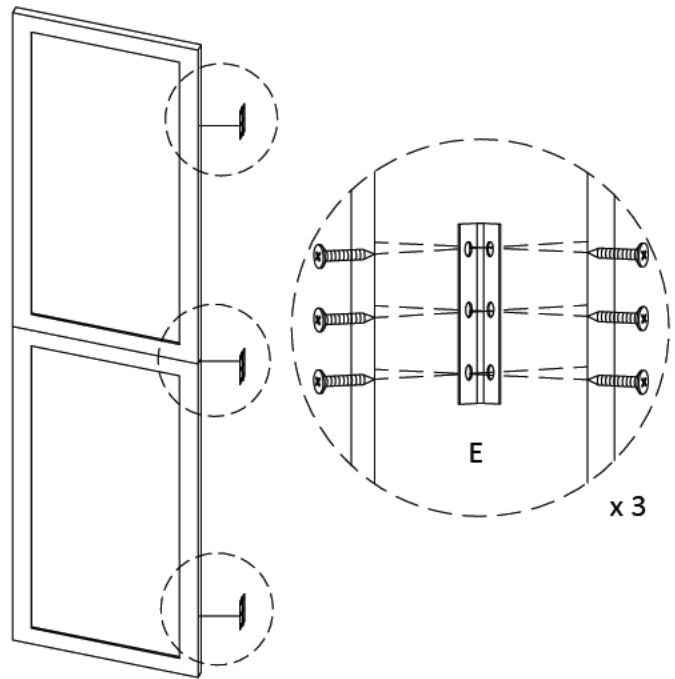


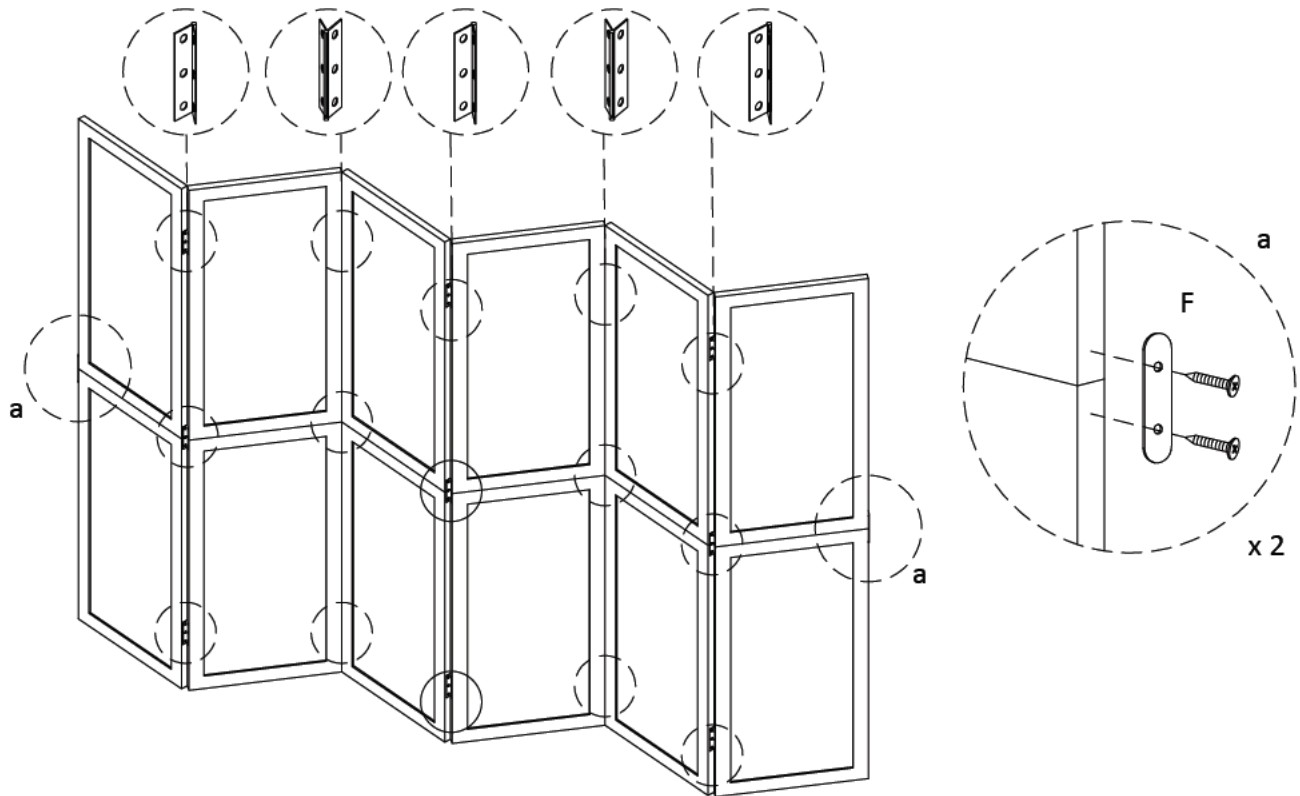
3

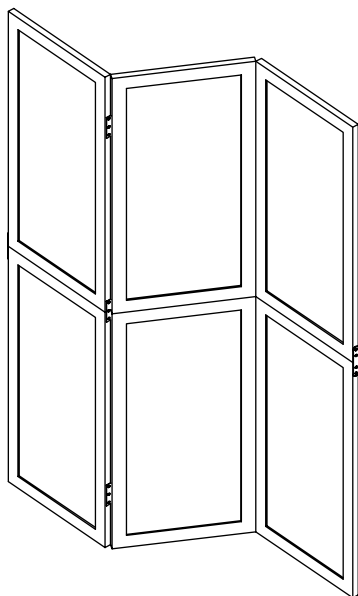


4

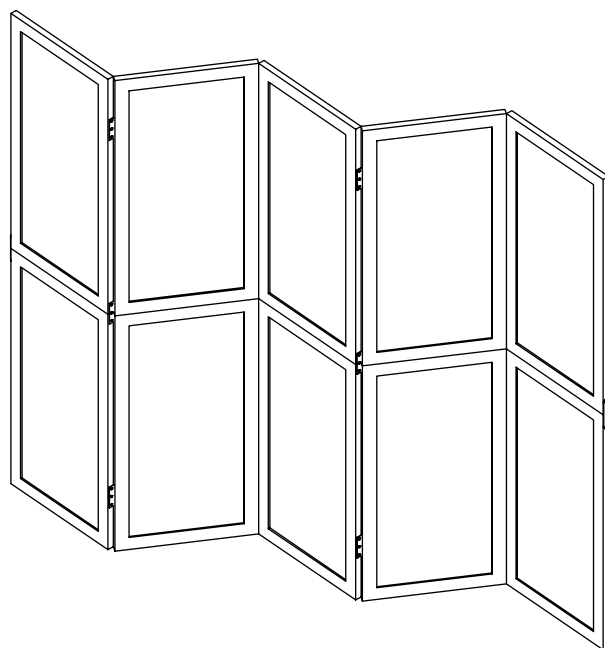


5

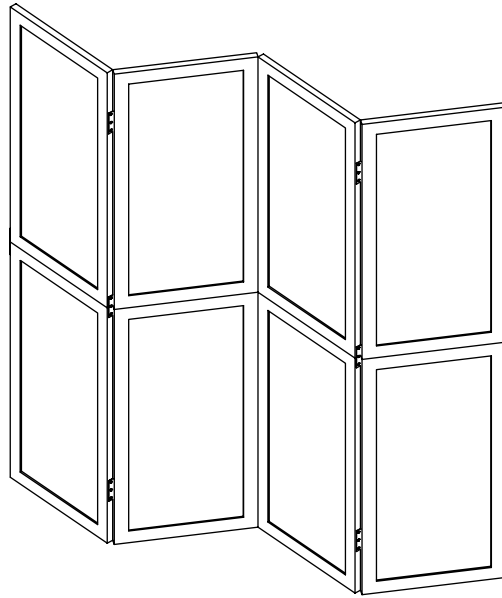




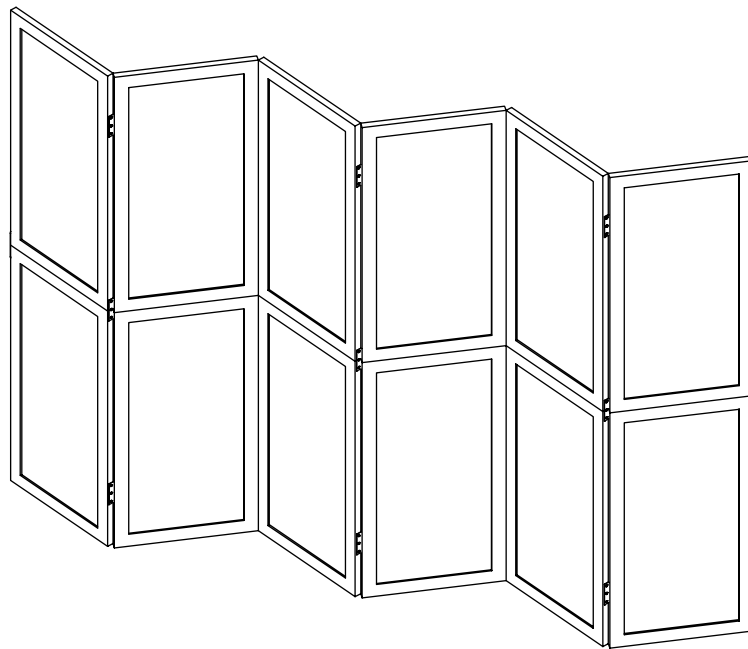
Ax3
Bx3
Cx6
Dx6
Ex6
Fx2



Ax5
Bx5
Cx10
Dx10
Ex12
Fx2



Ax4
Bx4
Cx8
Dx8
Ex9
Fx2



Ax6
Bx6
Cx12
Dx12
Ex15
Fx2