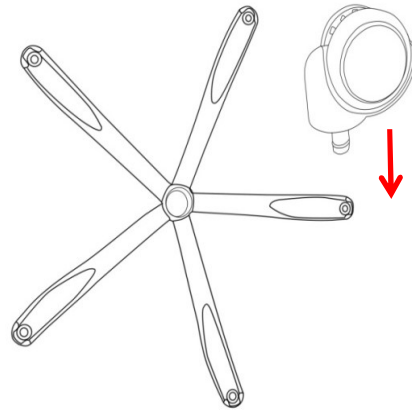


# Assembly Instruction

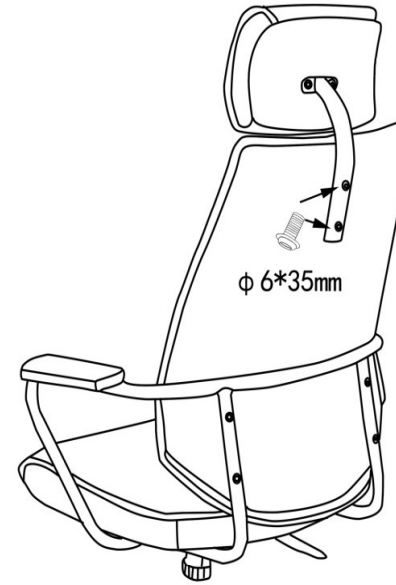
## Parts List

## Q'TY

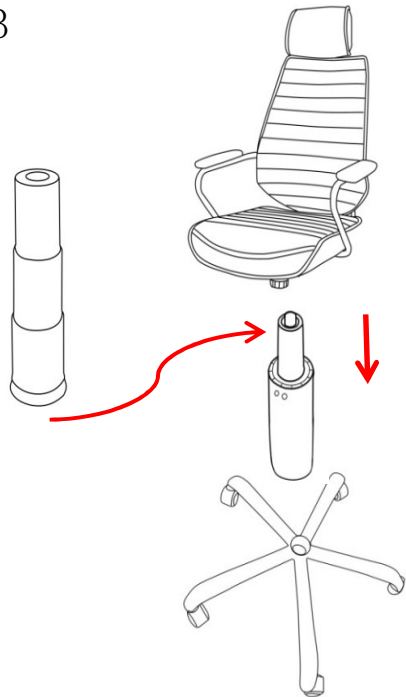
Step-1



Step-2



Step-3



Assembly Finish

Castor



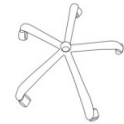
5

Seat Base



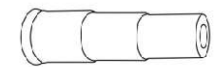
1

Base



1

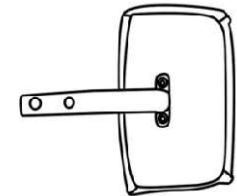
Gaslift



Cover For Gaslift

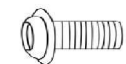
1

Head Pillow



1

φ 6\*35mm



2

Allen Key



1