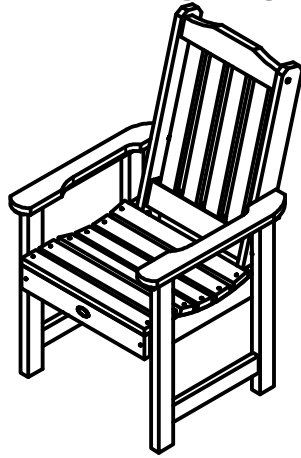


# Dining Height Armchair

## Assembly Guide

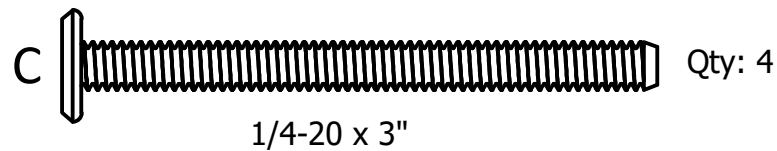
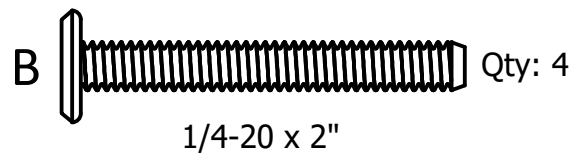
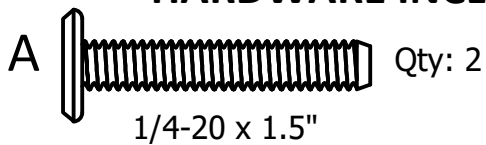


Scan for  
Assembly  
Video!

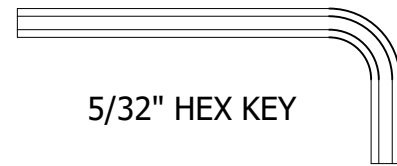
CHDL2  
CHDLSQ02

\*Actual Style May Vary from  
the One Pictured in this Guide

### HARDWARE INCLUDED

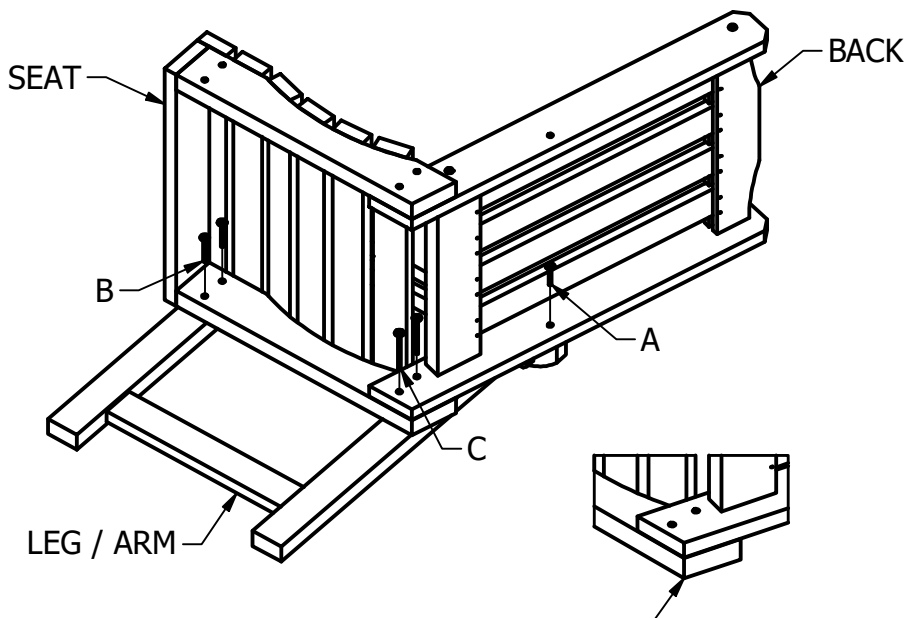


### TOOLS INCLUDED



### IMPORTANT!

DO NOT fully tighten bolts until all bolts are started.



BACK ALIGNMENT

- 1) Attach Seat to Leg/Arm using (2) B bolts and (2) C bolts. (Align Back as shown for C bolts)
- 2) Attach Back to Leg/Arm using (1) A bolt
- 3) Repeat on other Side.

# Dining Height Armchair

## Assembly Guide



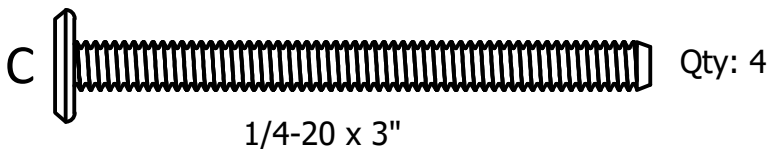
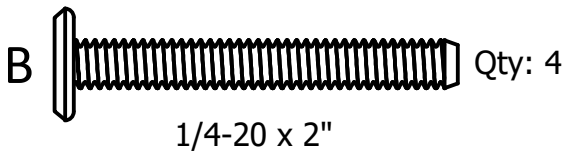
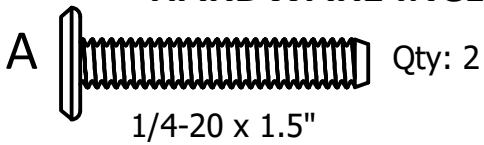
Scan for  
Assembly  
Video!



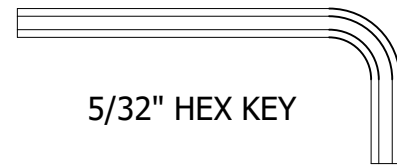
CHDW2  
CHDWSQ02

\*Actual Style May Vary from  
the One Pictured in this Guide

### HARDWARE INCLUDED

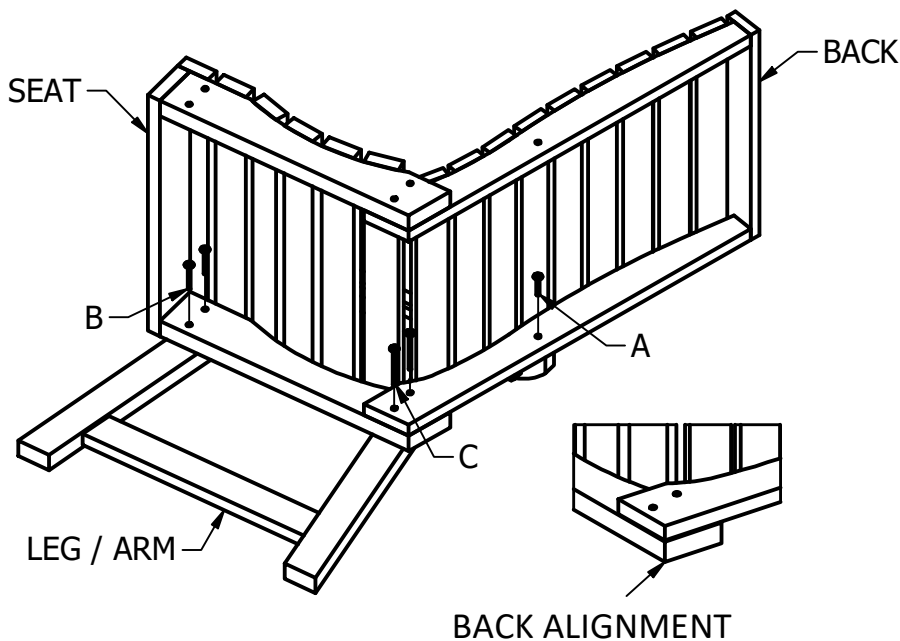


### TOOLS INCLUDED



### IMPORTANT!

DO NOT fully tighten bolts until all bolts are started.



- 1) Attach Seat to Leg/Arm using (2) B bolts and (2) C bolts. (Align Back as shown for C bolts)
- 2) Attach Back to Leg/Arm using (1) A bolt
- 3) Repeat on other Side.