

ASSEMBLY INSTRUCTION

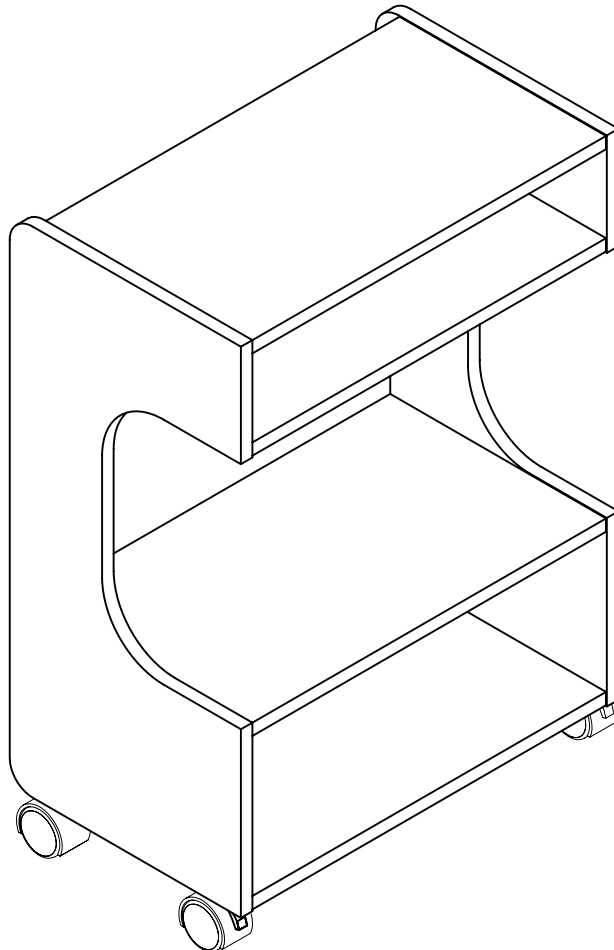
PLEASE READ BEFORE ASSEMBLING!

Tip #1: Make sure you've taken all the pieces and hardware out of its packaging before discarding the box.

Tip #2: Using page 2 and/or page 3 of instruction manual make sure all pieces and hardware are accounted for.

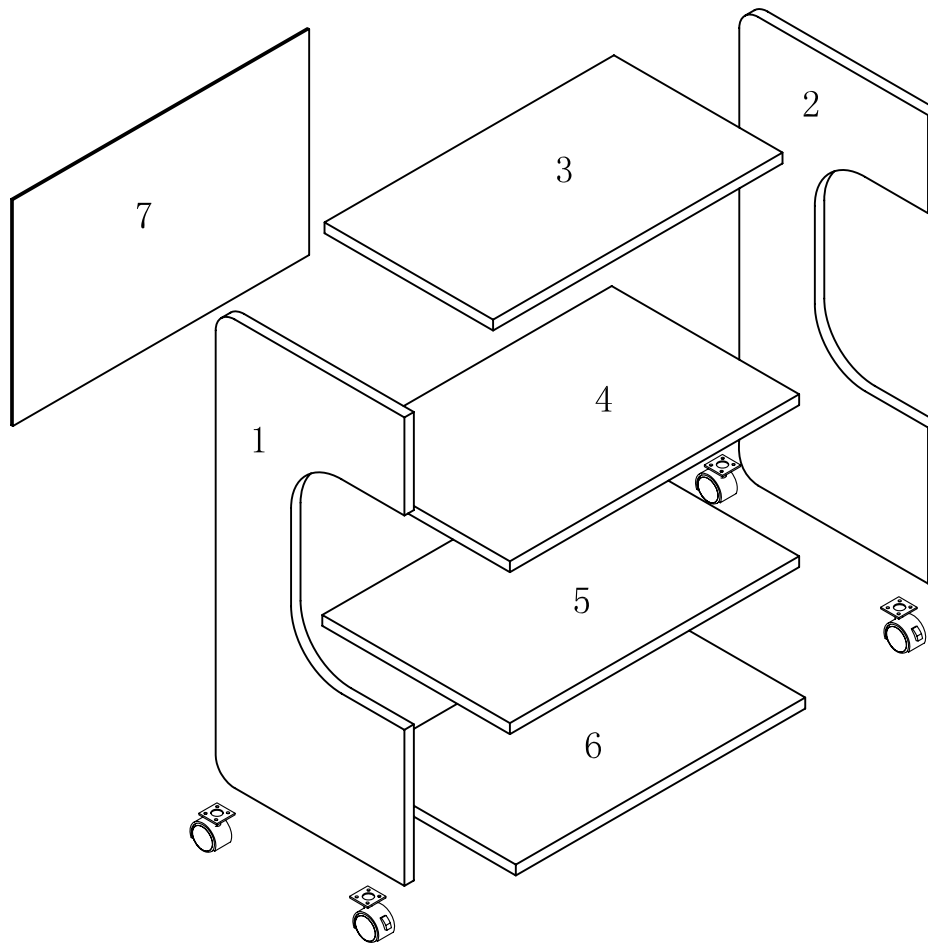
Tip #3: Read manual before assembling, it helps!

ITEM#: 10364



PARTS IDENTIFICATION








ITEM#: 10364

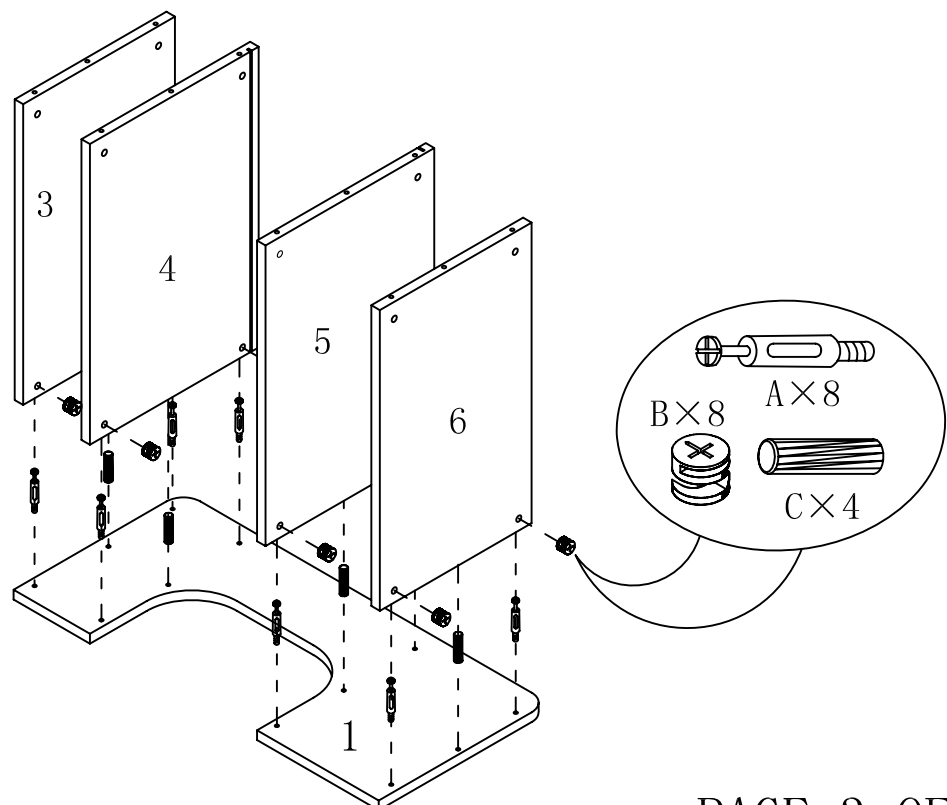


(1)	1pc	(6)	1pc
(2)	1pc	(7)	1pc
(3)	1pc		
(4)	1pc		
(5)	1pc		

HARDWARE IDENTIFICATION

ITEM#: 10364

A		L29	16pcs
B		ϕ 15	16pcs
C		ϕ 8 \times 25	8pcs
D		H55	2pcs
E		H55	2pcs
F		ϕ 4 \times 16	16pcs
G		Glue: For securing please apply to wood dowel first before inserting into panel	1pc

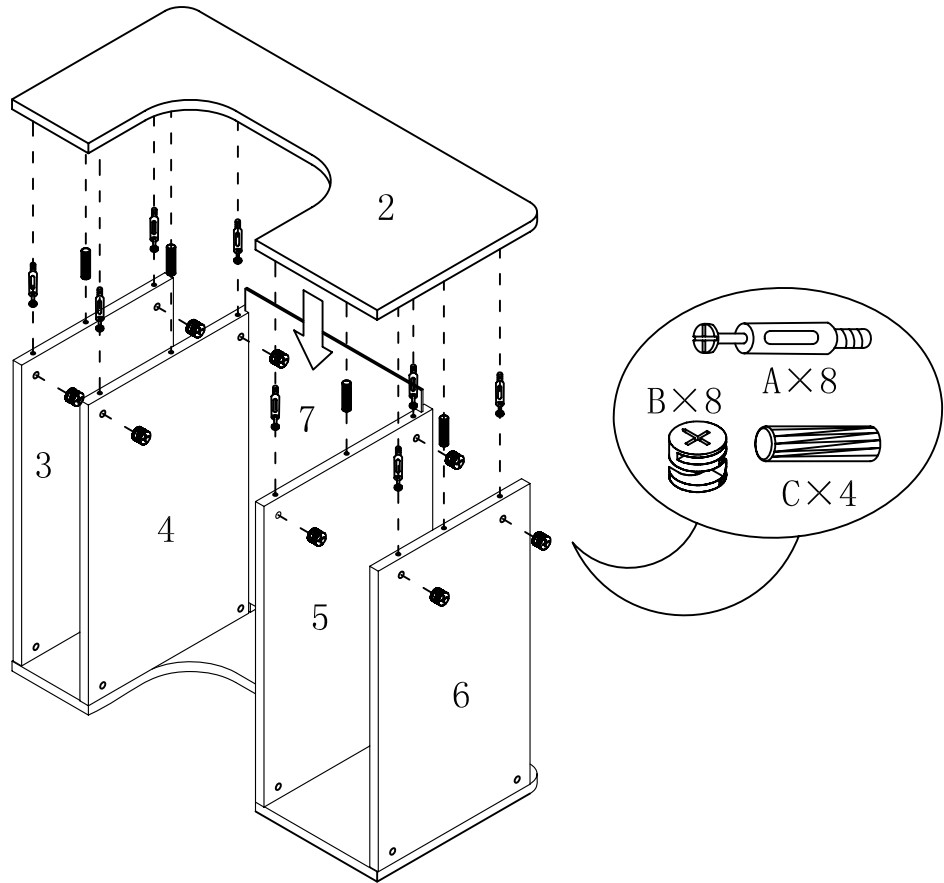


STEP1

PAGE:3 OF 4

ASSEMBLY INSTRUCTION

ITEM#: 10364



STEP 2

STEP 3

