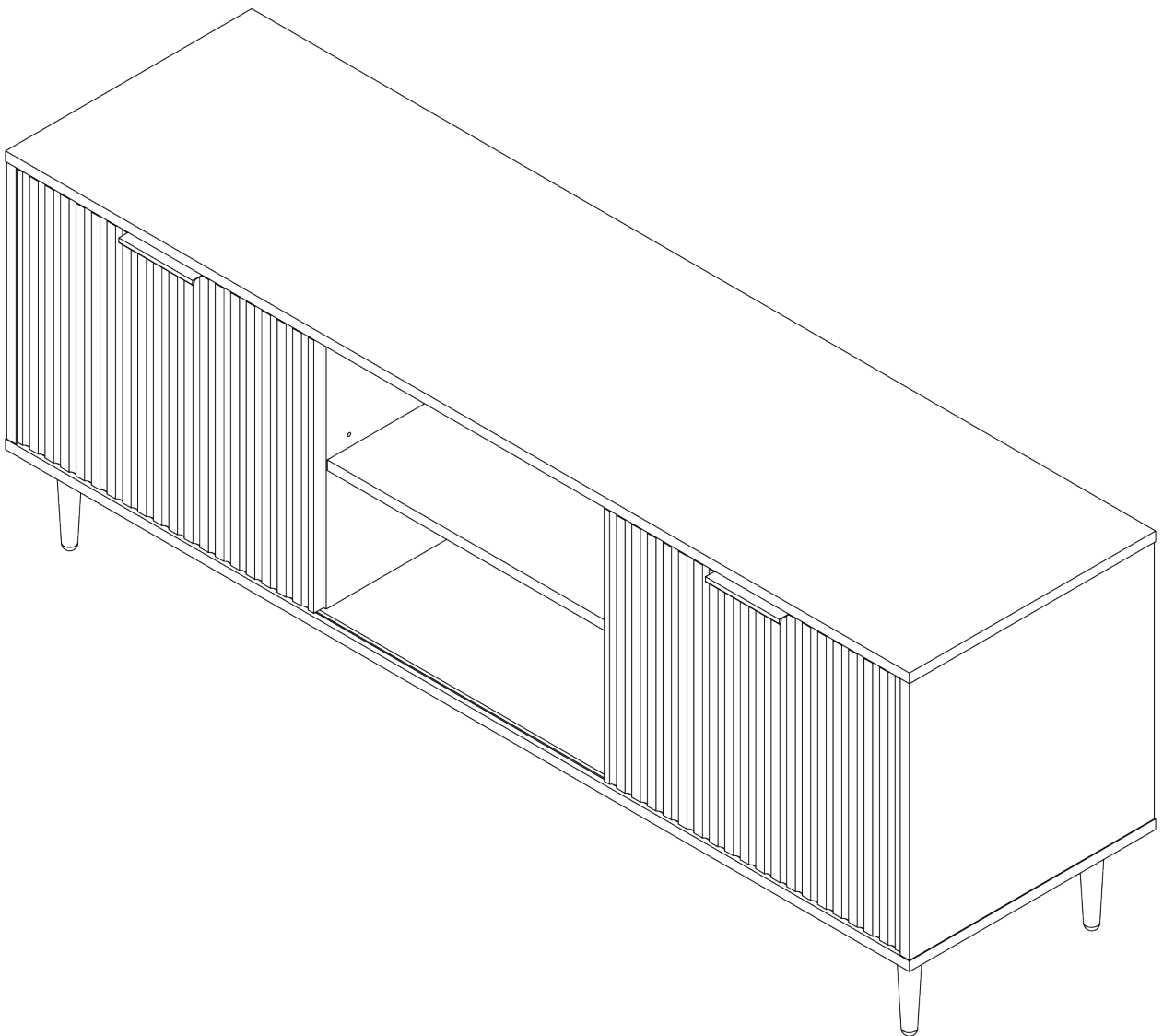
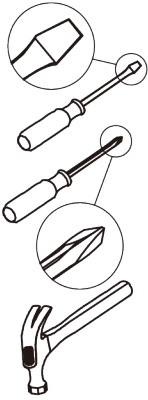


TV stand



Before You Start



- ✓ Read through each step carefully and follow the proper order
- ✓ Separate and count all your parts and hardware
- ✓ Give yourself enough room for the assembly process
- ✓ Have the following tools: Flat Head Screwdriver, #2 Phillips Head Screwdriver and Hammer
- ✓ Caution: If using a power drill or power screwdriver for screwing, please be aware of to slow down and stop when screw is tight. Failure to do so may result in stripping the screw.

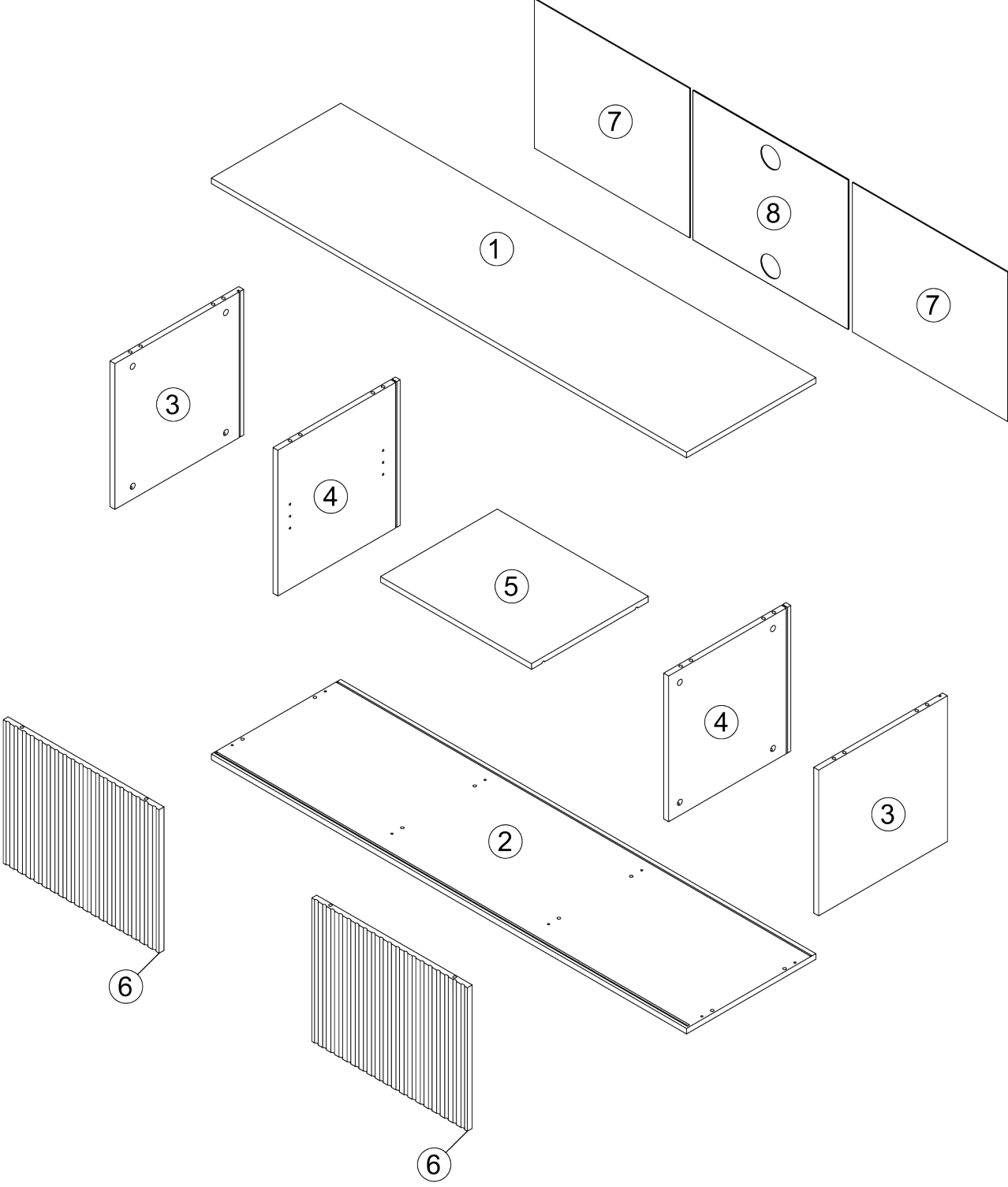
Helpful Hints

PEOPLE NEEDED FOR ASSEMBLY: 1-2

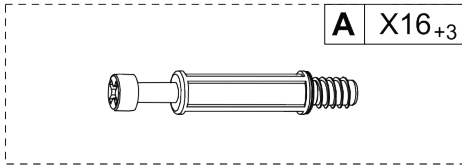
- Open your item in the area you plan to keep it to avoid excessive heavy lifting.
- Identify, sort and count the parts before attempting assembly.
- Compression dowels are lightly tapped in with a hammer.
- Slides are labeled with an **R** (right) and **L** (left) for proper placement.
- Make sure to always face the point on the top of the Cam Lock towards the outer edge.
- Use all the nails provided for the back panel and spread them out equally.
- Back panel must be used to make sure your unit is sturdy.
- Do NOT use harsh chemicals or abrasive cleaners on this item.
- Never push, pull, or drag your furniture.



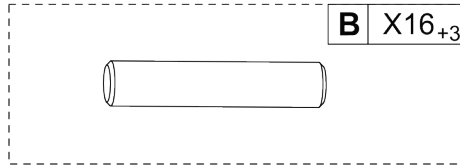
EXPLODED DRAWING:



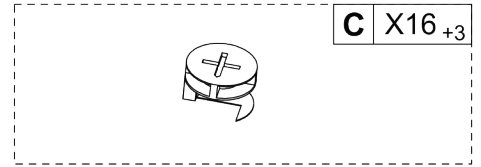
PARTS:



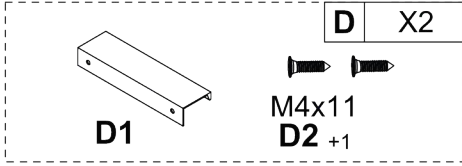
Cam Bolt



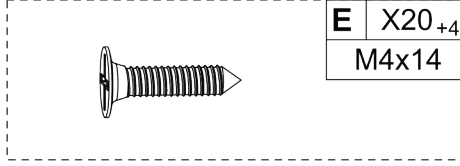
Wooden Dowel



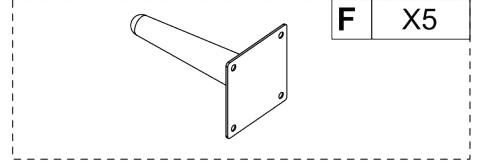
Cam Lock



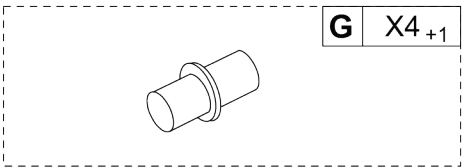
Handle



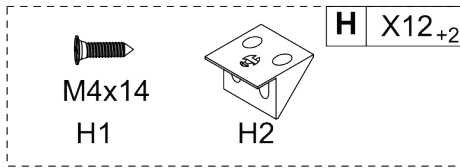
Screw



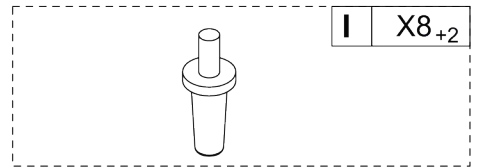
Leg



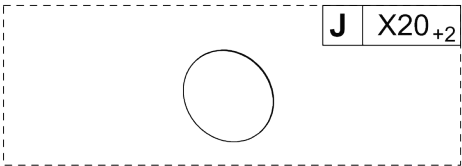
Shelf Support Pin



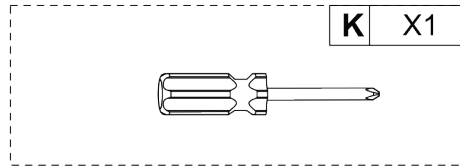
Screws Retainers



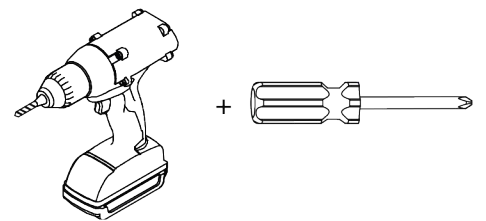
Door Support Pin



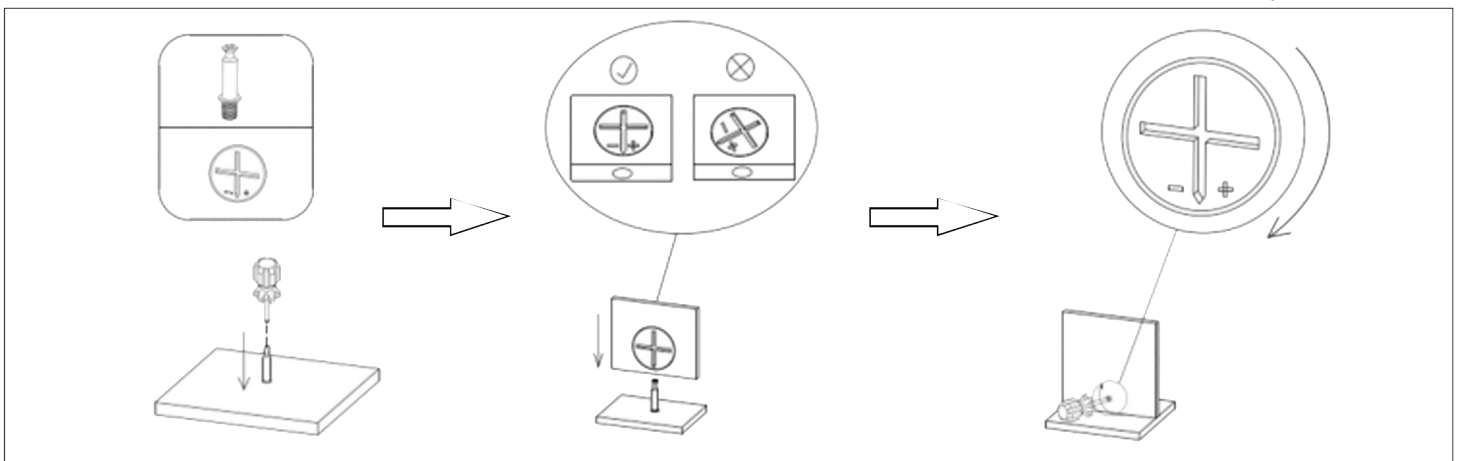
Hole Sticker



Screwdrivers



REMARK:



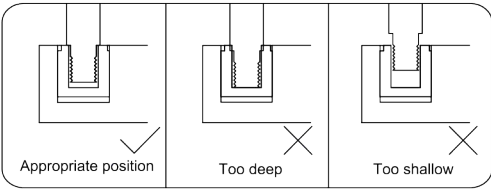
REMARK:

Please do not screw **A** too deep or too shallow.

A X16



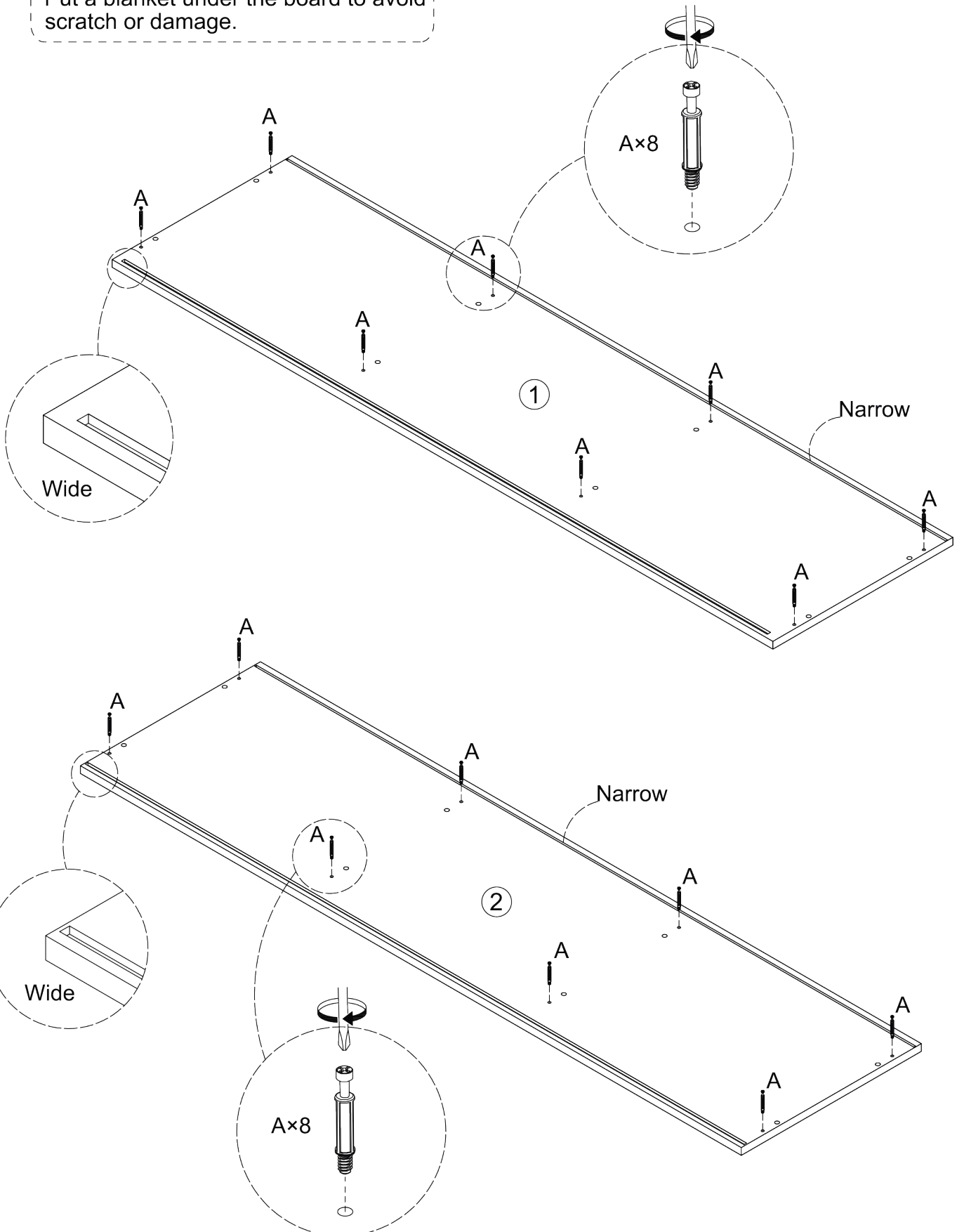
1.



Attach Cam Bolt (A) to Parts (1,2) with a Screwdriver as Per Diagram.

REMARK :

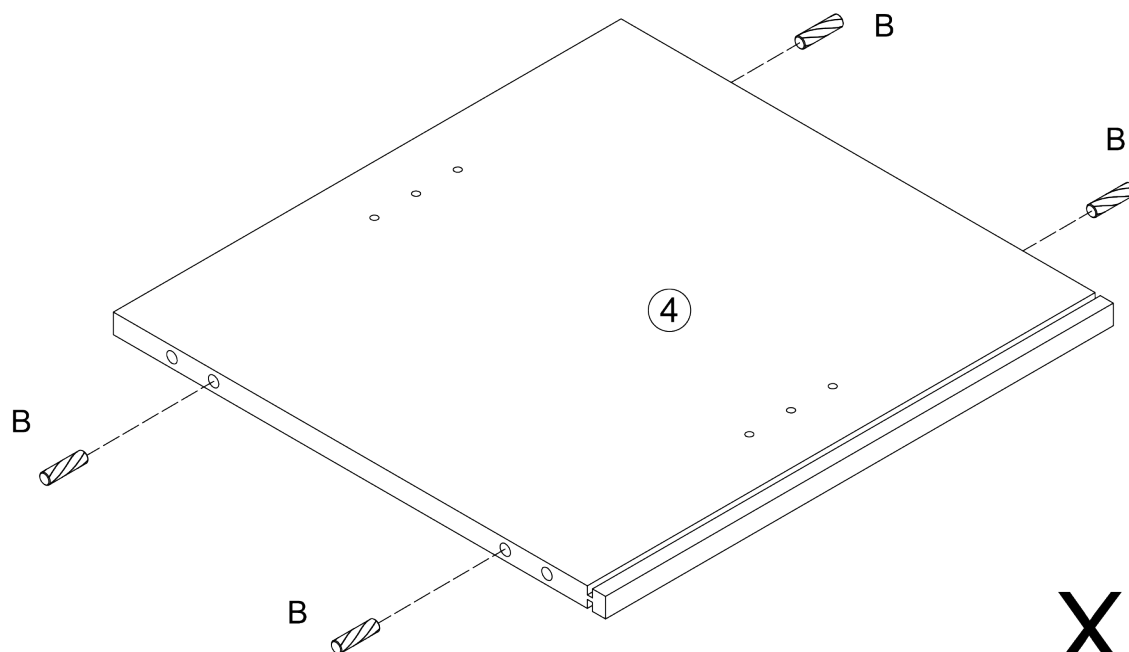
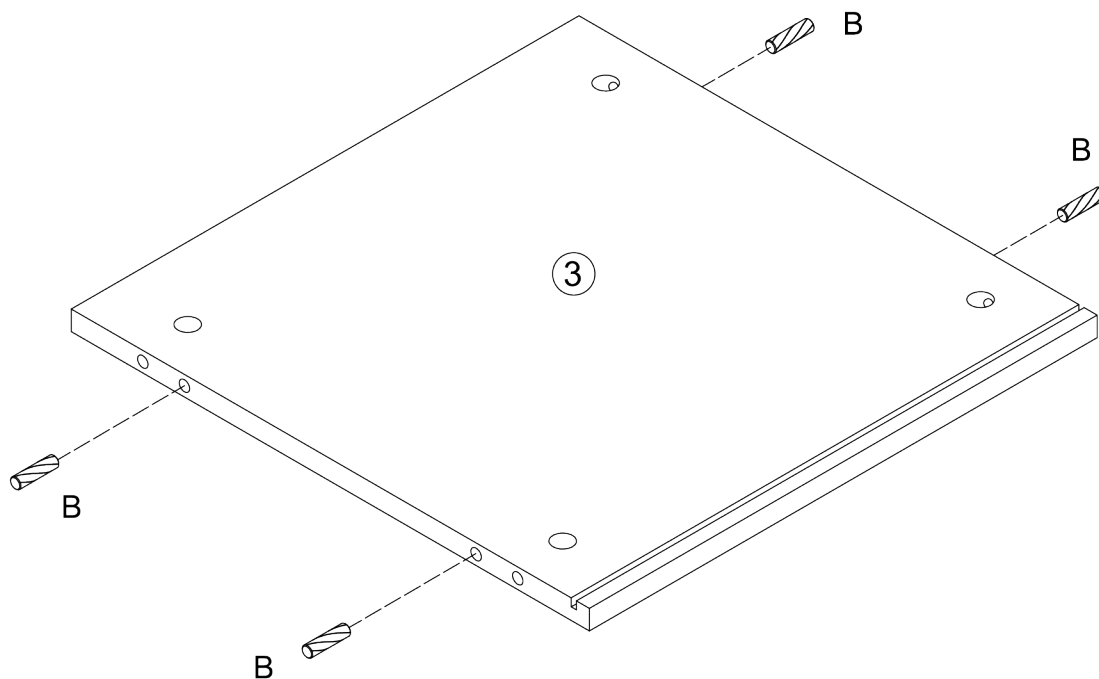
Put a blanket under the board to avoid scratch or damage.





2.

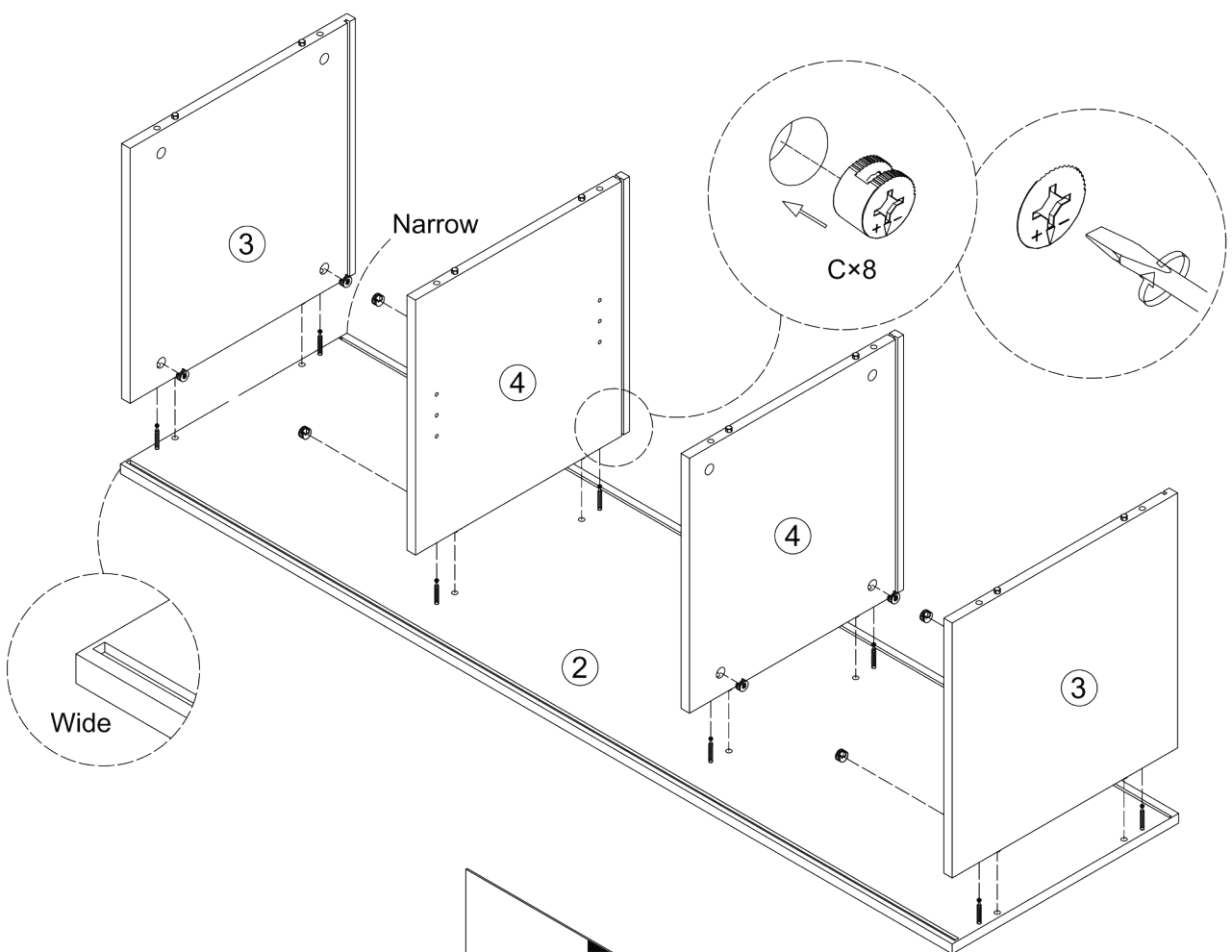
Insert Wooden Dowel (B) into Parts (3,4) as Per Diagram.



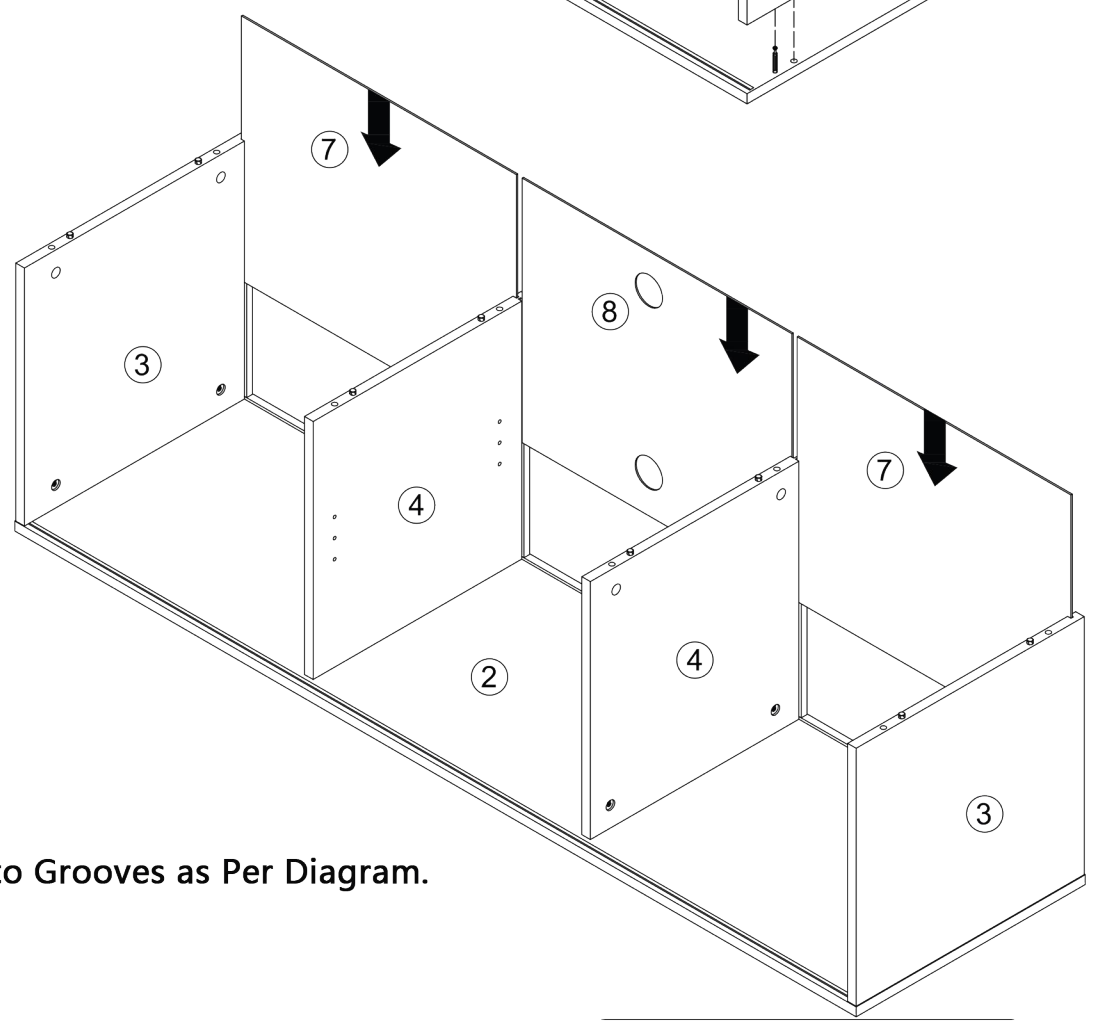
X2



3. Secure Cam Lock (C) to Parts (3, 4) to Lock Parts (3, 4, 2).

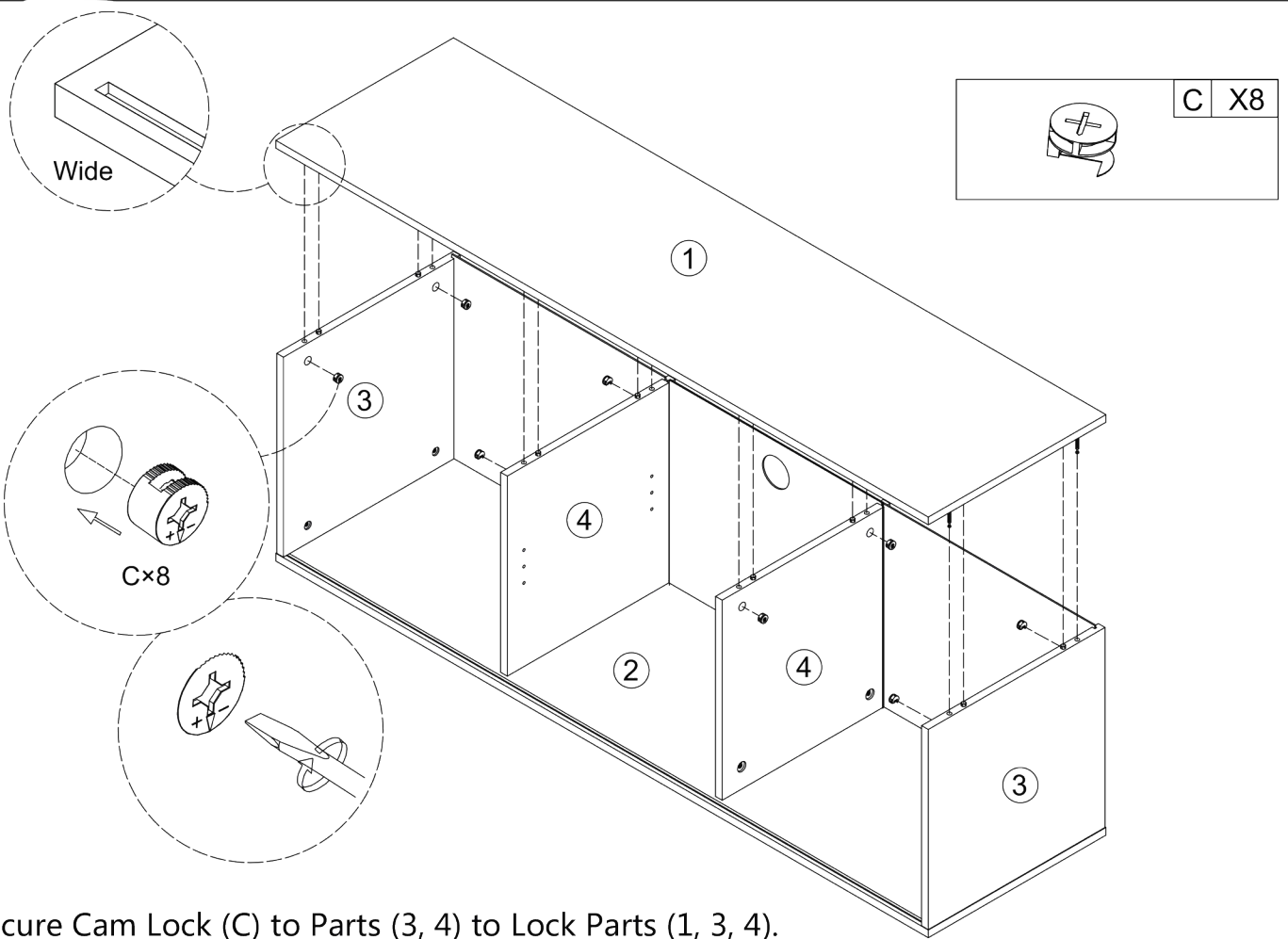


4.

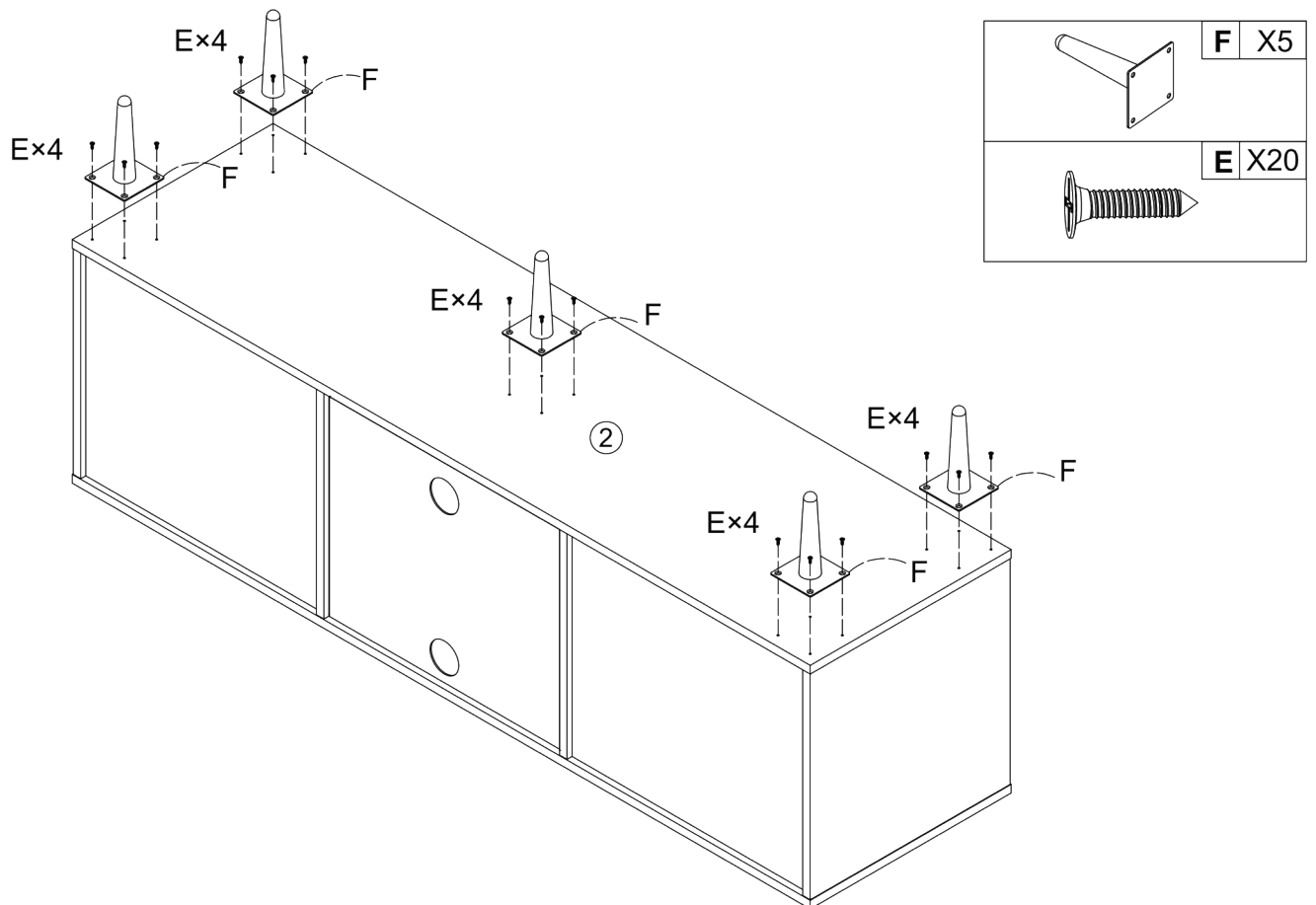


Slide Parts (7, 8) into Grooves as Per Diagram.

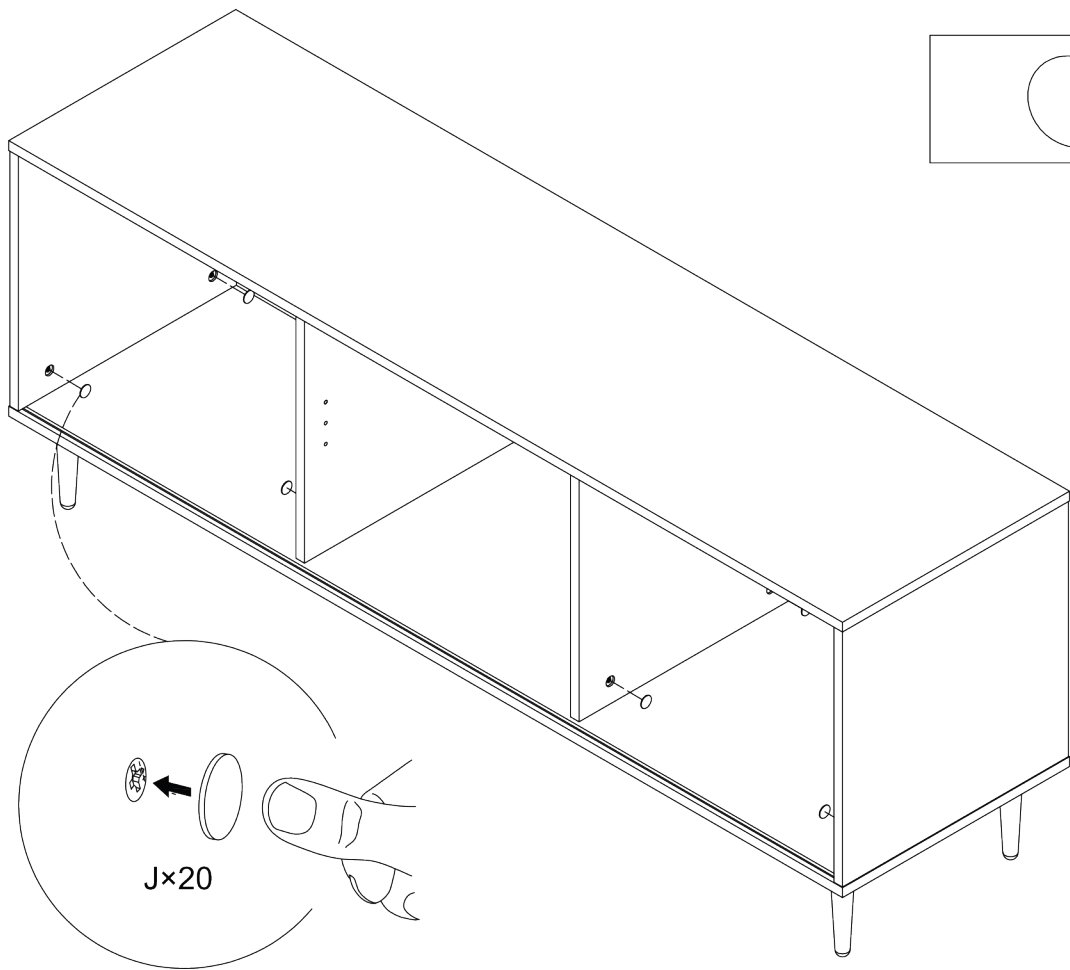
5.



6.

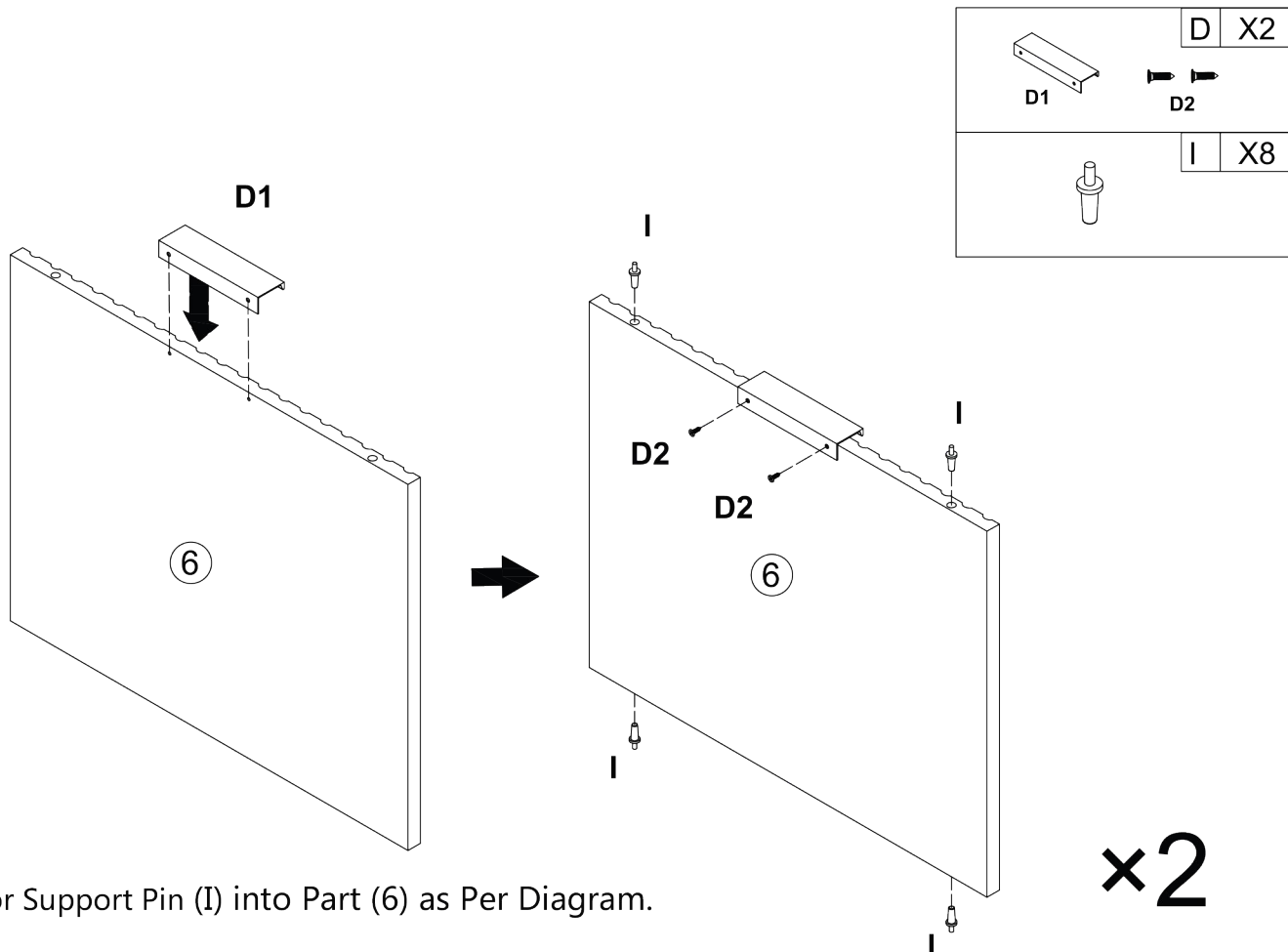


7.



Using Hole Sticker (J) to Cover the Exposed Part of Screws as Per Diagram.

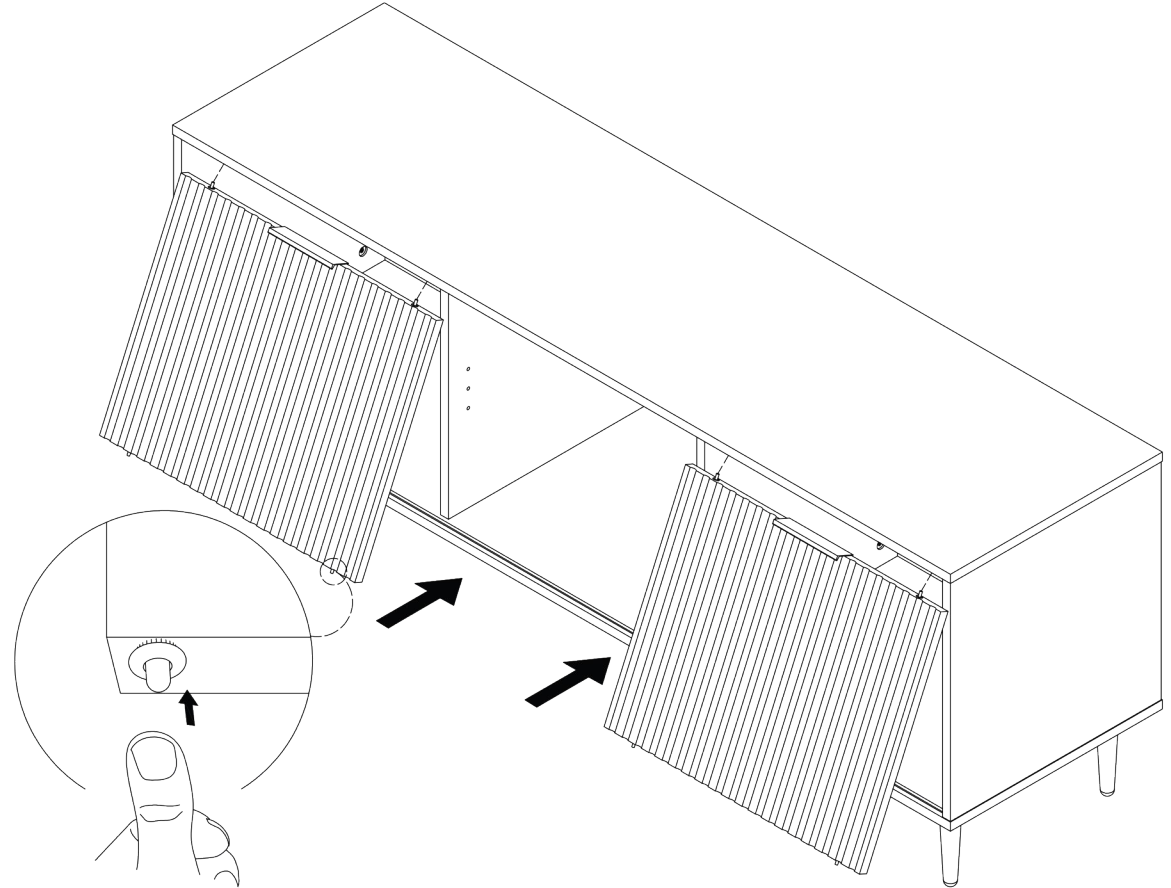
8.



Insert Door Support Pin (I) into Part (6) as Per Diagram.

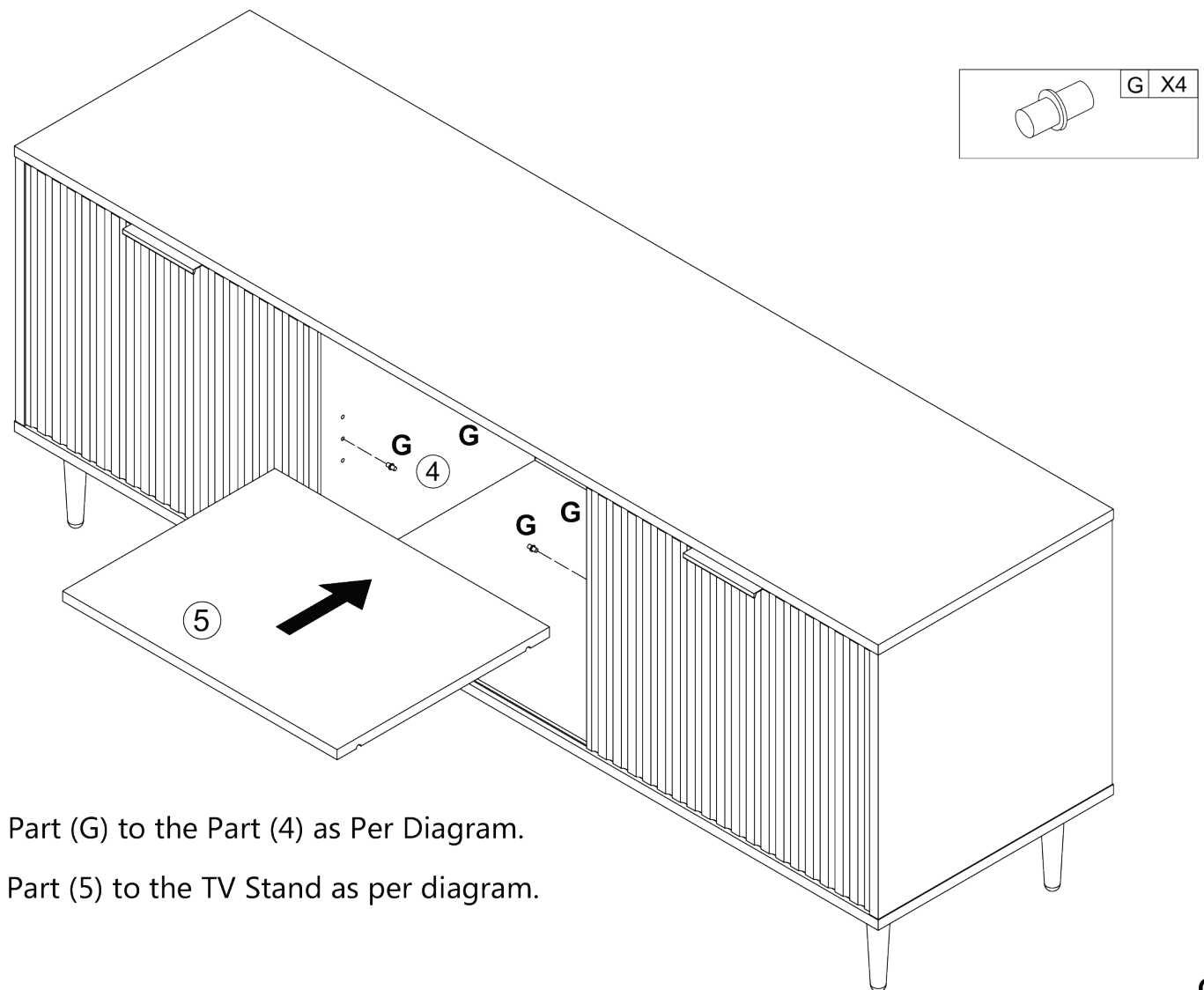
Using Screw (D2) to Secure Handle (D1) to the Part (6) as Per Diagram.

9.



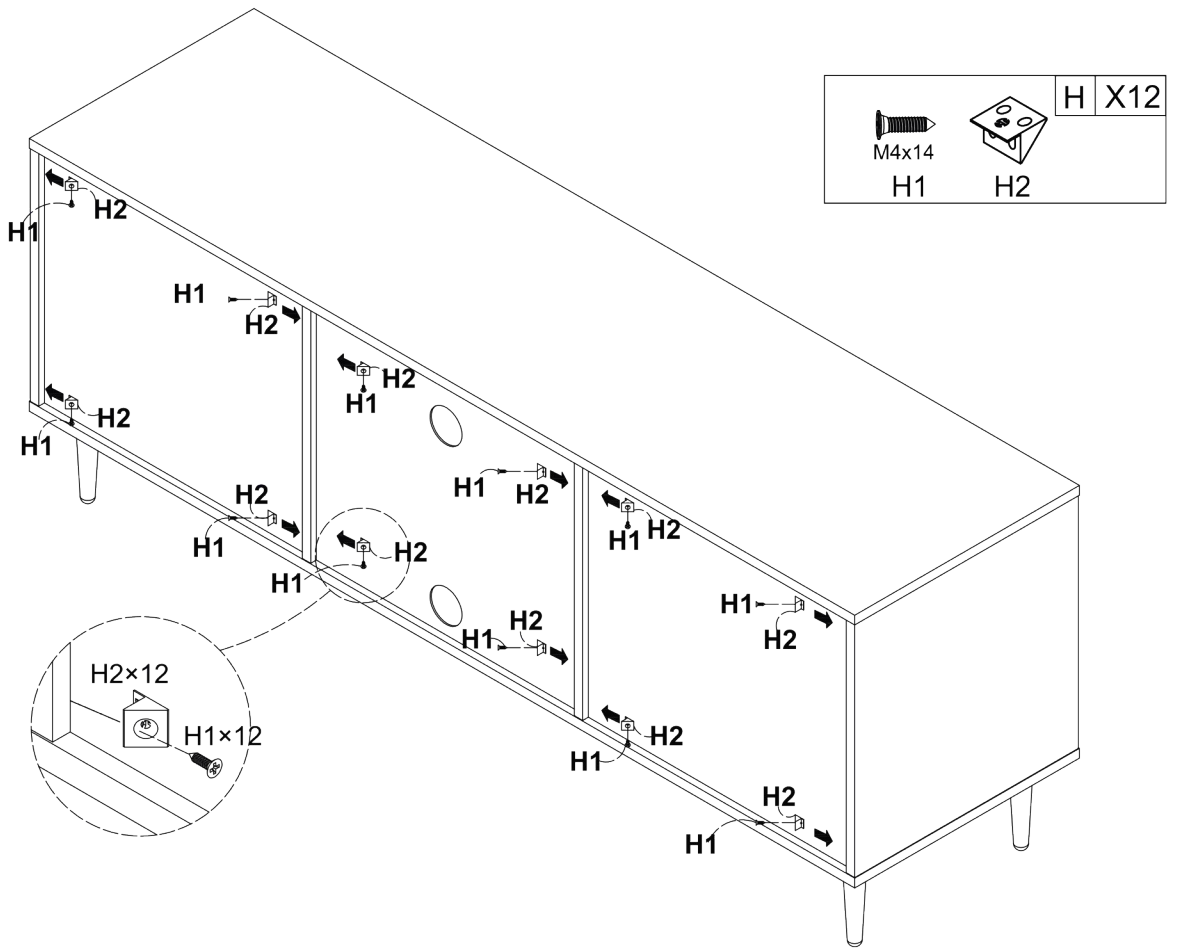
Press part (I) by Hand So That the Door Mounts on The Sliding Rail as Per Diagram.

10.



Attach Part (G) to the Part (4) as Per Diagram.
Attach Part (5) to the TV Stand as per diagram.

11.



Using Screw (H1) to Secure Screws Retainers (H2) to the back of this TV Stand as per diagram.

