

WARNING!



Be sure electrical power is OFF before and during installation or maintenance.
The luminaire must be installed by a qualified electrician, in accordance with all applicable local codes.

Ensure that the rated luminaire voltage requirements are compatible with the available mains supply in which it will be installed.
All LEDs are included in your lamp. Never touch the LED surface with your bare hands as this may reduce the life of your LED.
Do not alter, relocate or remove any electrical component.

Line: Living Hinges
Family: Wall Sconce
Description: Living hinges wall Sconce

Material: Natural Wood Veneer, MDF and Acrylic
Weight:

MAKING ELECTRICAL CONNECTIONS

Turn OFF the power before start the installation.

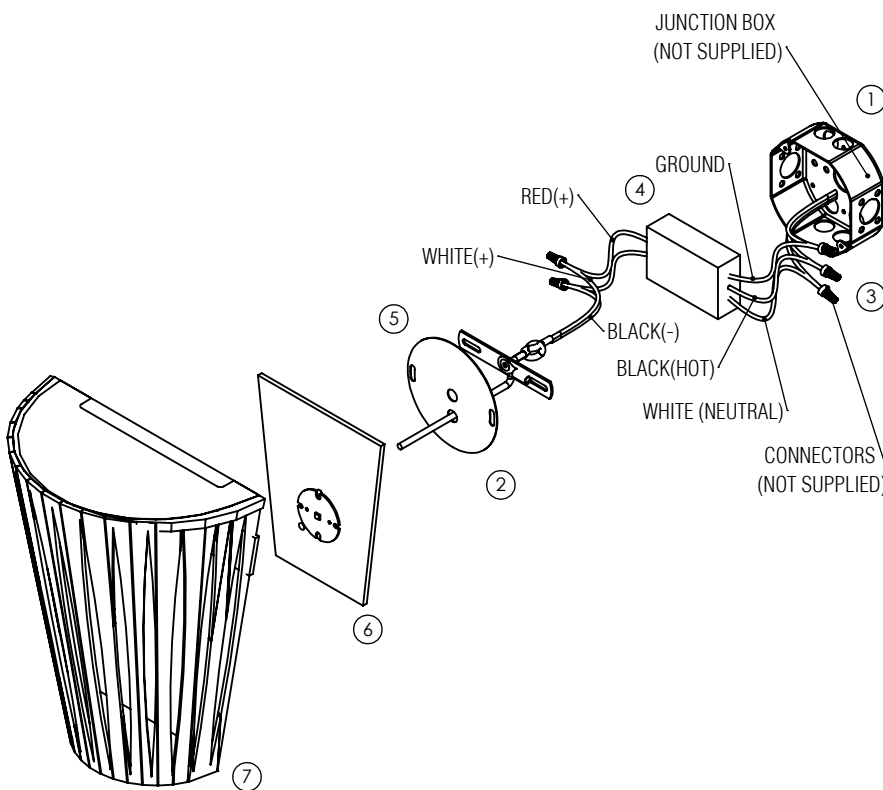
- ① Validate your junction box is large enough to put the driver.
- ② Pass the power supply cable coming from the base through the metal canopy.
- ③ Connect the electrical supply wires to the junction box in accordance to all applicable local codes, as shown in the diagram.

MOUNTING ON THE FIXTURE

- ④ Insert the driver into the junction box.
- ⑤ Attach the metal canopy to the junction box using the supplied screws.
- ⑥ Attach the base to the wall by screwing it with the supplied screws and plastic wall plugs.
- ⑦ Bring the luminaire and firm it at the base fixed on the wall until everything rests tight

Turn ON electrical power.

Your luminaire is now ready for use.



ATTENTION!



FAILURE TO COMPLY WITH THESE INSTRUCTIONS MAY CAUSE ACCIDENTS AND LOSS OF PRODUCT WARRANTY.
It's recommended to read these instructions completely and carefully before proceeding.

SAVE THESE INSTRUCTIONS FOR FUTURE REFERENCE.

ACCORD Lighting guarantees coverage against manufacturing defects including electrical components and finishes, for a period of three years, under normal use, from the date of purchase. For warranty service, please contact your local dealer for further instructions. Proof of date of purchase will be required for validation of warranty service.

The responsibility of the manufacturer regarding the product warranty is related to the correct observation of the instructions contained in this manual. The manufacturer is not responsible for any damage to the product caused by accidents, alterations of any kind, improper usage or improper installation. See the website for additional warranty details.

ACCORD Lighting reserves the right to change the dimensions and specifications contained in this manual without prior notice, in accordance with its policy of continuous product improvement. Please, contact the manufacturer if additional information is necessary. The illustrations in this manual are for guidance only and may vary in scale, dimensions and model details.