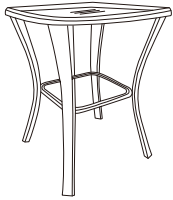


ALL WEATHER WICKER PATIO COFFEE TABLE

ASSEMBLY INSTRUCTION



WARNING: This coffee table is not a toy and it has a glass surface. Please carefully place and assemble it to avoid any damage. In addition, the coffee table is not to be used for standing purposes and it will not function as a stool or step-ladder. Therefore, this coffee table has to be used on even surfaces. Any improper use of this product or failure to use as directed may result in injury. Last, please not intended to use it for commercial.

IMPORTANT:

Please read all the instructions and warnings before assembling. In order to make the whole product adjust to the best, please install all the screws on the product and tighten all the screws after adjusting the product which can stand on the floor even.

WARNING:

- Please keep all children and pets away from the assembly area. In addition, children and pets should be supervised when they are in the area of product construction.
- Please make sure to keep the assembly area at least 6 feet from any obstruction such as a fence, garage, house, overhanging branches, laundry line or electrical wires.
- Some parts may contain sharp edges. Therefore, when assembling and using this product, basic safety precautions should always be followed to reduce the risk of personal injury and damage to the product. Please read all instructions before assembly and use.
- Please check all bolts for tightness before use. IMPORTANT-check and tighten bolts often to keep them secure!
- The coffee table is not to be used for standing purposes and will not function as a stool or step-ladder. Again, this coffee table is used on even surfaces only.
- Please DO NOT put excessive weight on the product, this could cause damage to the coffee table.
- Please DO NOT place extremely hot or extremely cold items on the glass surface unless adequately thick table mats are used to prevent such items from coming into contact with the glass.
- If the glass is chipped or broken, stop using the product and consult the Seller or Supplier.

CARE & MAINTENANCE

GLASS CARE

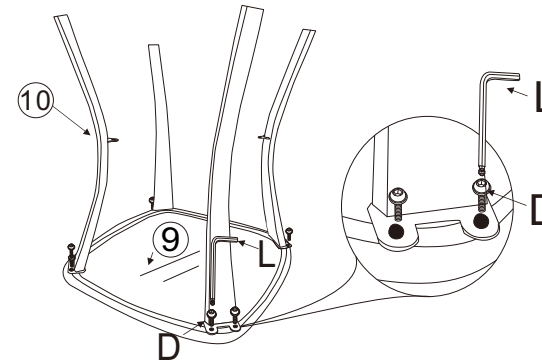
- Please do not sit or stand upon the glass surface.
- Please do not use the glass as a chopping surface.
- Please do not strike the glass with hard or pointed items.
- When cleaning glass panels use a damp cloth or leather with washing up liquid or soft soap if necessary, do not use washing powders or any other substance containing abrasives since these substances scratch glass.

RESIN WICKER PRODUCT CARE

Before using, please clean the product completely with a soft dry towel. Moreover, when the coffee table not in use, you should wipe off any dirt or lose objects, wash with a mild solution of soap and water, rinse thoroughly and dry completely. Please do not use strong detergent or abrasive cleaners. Since nuts and bolts can loosen over time, so please check nuts and bolts on all chairs and tables, re-tighten if necessary.

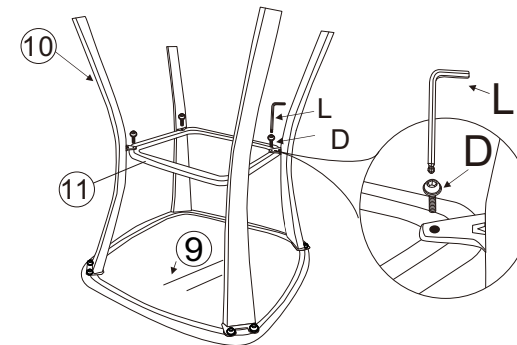
Parts List:

NO.	Part	Qty	Image	NO.	Part	Qty	Image
9	Glass Table Top	1		10	Table leg	4	
11	Lower Shelf	1					
D	Screw (6x15mm)	12		L	Allen wrench	1	



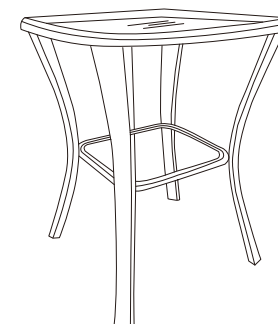
Step 1

Secure 4 table legs (10) to glass table top with 8 screws (D) by using allen wrench (L). Do not tighten all screws now.



Step 2

Secure lower shelf (11) to middle of the table legs with 4 screws(D) by using allen wrench (L). Do not fully tighten now.



Step 3

Verify the alignment and adjust, fully tighten all the screws now. The coffee table is assembled.