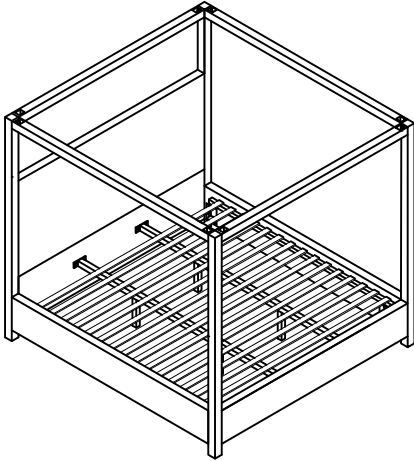


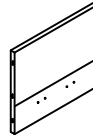
ASSEMBLY INSTRUCTIONS

BED - KING

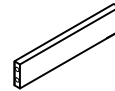


+ Parts Included

① Head Board (1pc)



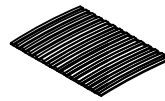
② Foot Board (1pc)



③ Side Rails (2pcs)

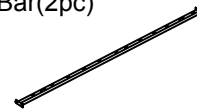


⑦ Slats joint (1set=13pcs)



*Slats come packed in the bottom of headboard carton.

⑤ Center Support Bar (2pc)

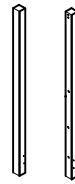


⑥ Support Legs (4pcs)



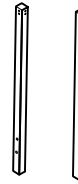
⑦ Bar 2pcs

⑦-1 ⑦-2

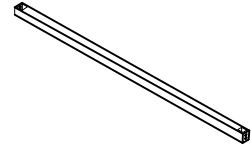


⑧ Bar 2pcs

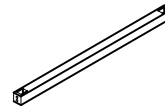
⑧-1 ⑧-2



⑨ Bar 2pcs



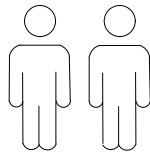
⑩ Bar 2pcs



+ Do Not Use Power Tools



+ Suggested Adults



NOTE :

- 1 Read instructions cover to cover.
- 2 Save all packaging until assembly is completed.

1 IMPORTANT SAFETY INFORMATION

Do not assemble the product if any of the following parts arrived damaged:

- Part #③ -Side Rails
- Part #④ -Slats joint
- Part #⑤ -Center Support Bar
- Part #⑥ -Support Legs

2 IMPORTANT ASSEMBLY INFORMATION

Assembly Step ⑦ Ensure the side rail bracket is fully hooked onto bolt **A** loosely threaded with both washers on the **OUTSIDE** of the bracket first, then proceed to fully tightening all 4 corners.

*Slats come packed in the bottom of headboard carton.

+ Hardware Included

A Bolt M8*30mm (16pcs)



B M8*70mm (34pcs)



E Flat Washer $\varnothing 22$ (42pcs)



F M8 Allen Key (1pc)



I Nut M8*13mm (34pcs)

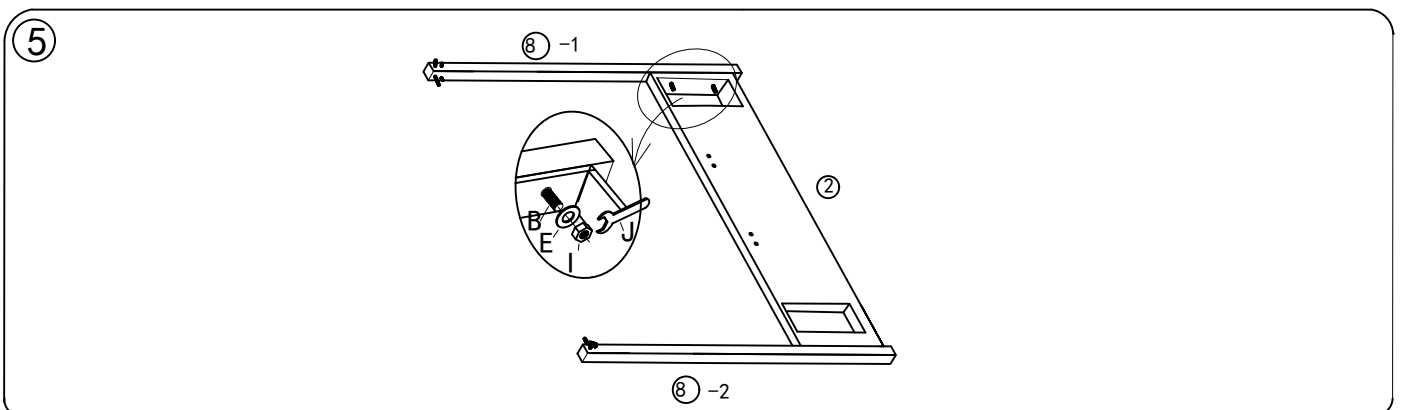
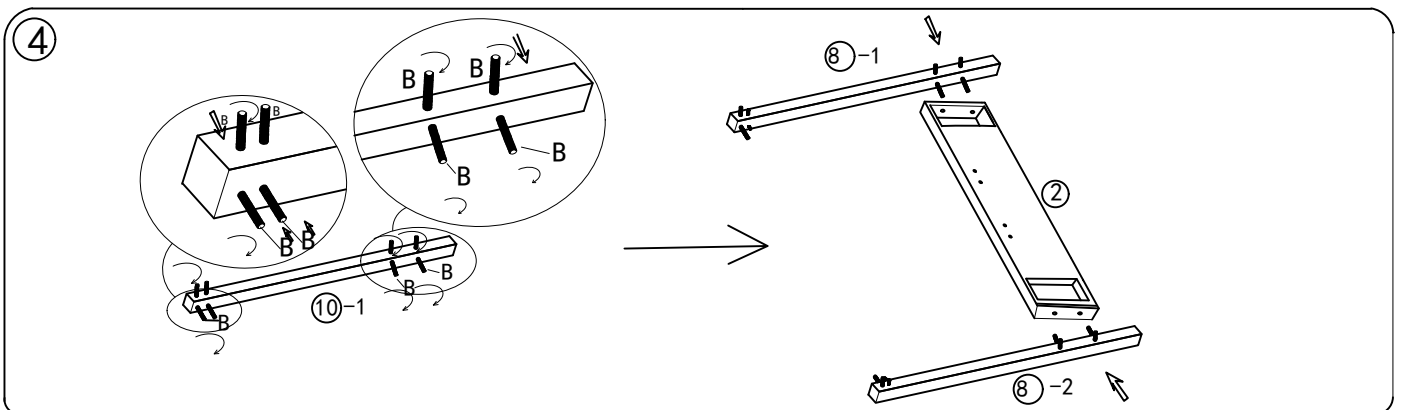
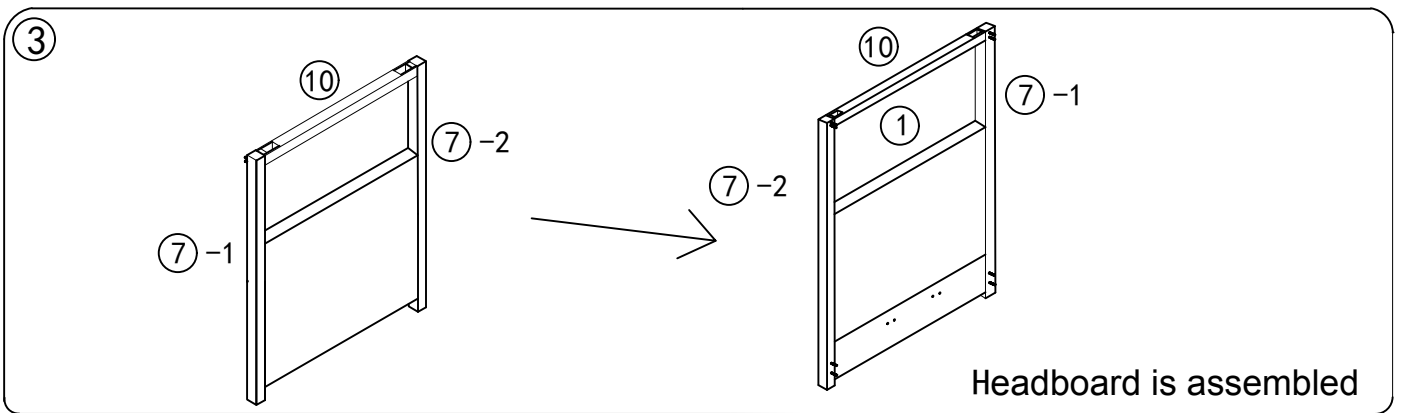
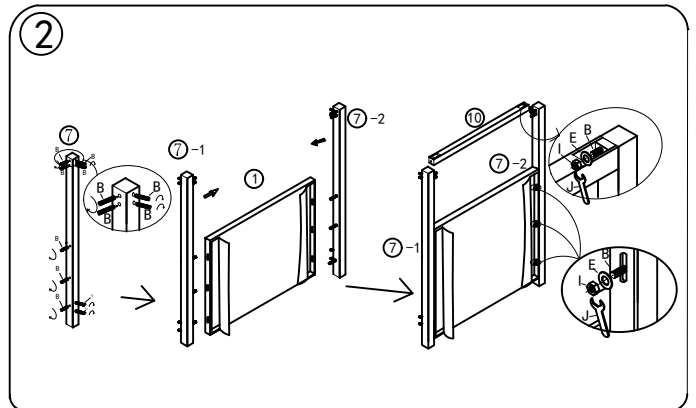
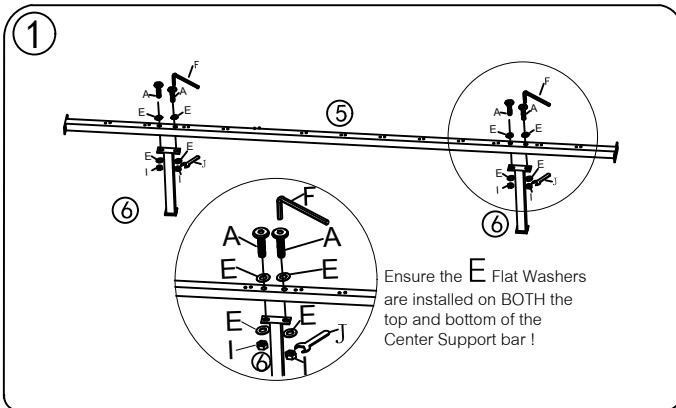


J Spanner (1pc)



ASSEMBLY INSTRUCTIONS

BED - KING



ASSEMBLY INSTRUCTIONS

BED - KING

