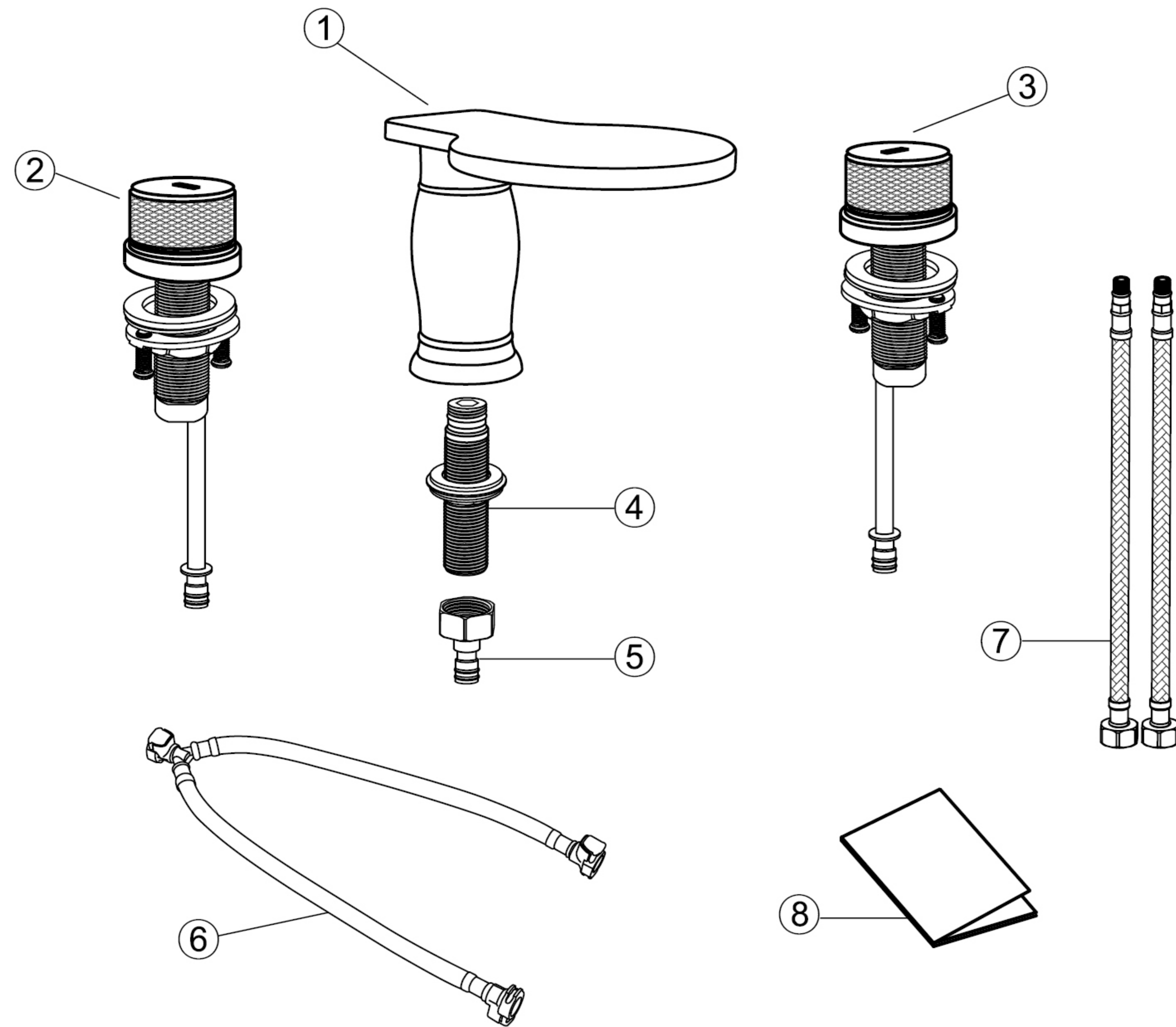


INSTALLATION INSTRUCTIONS



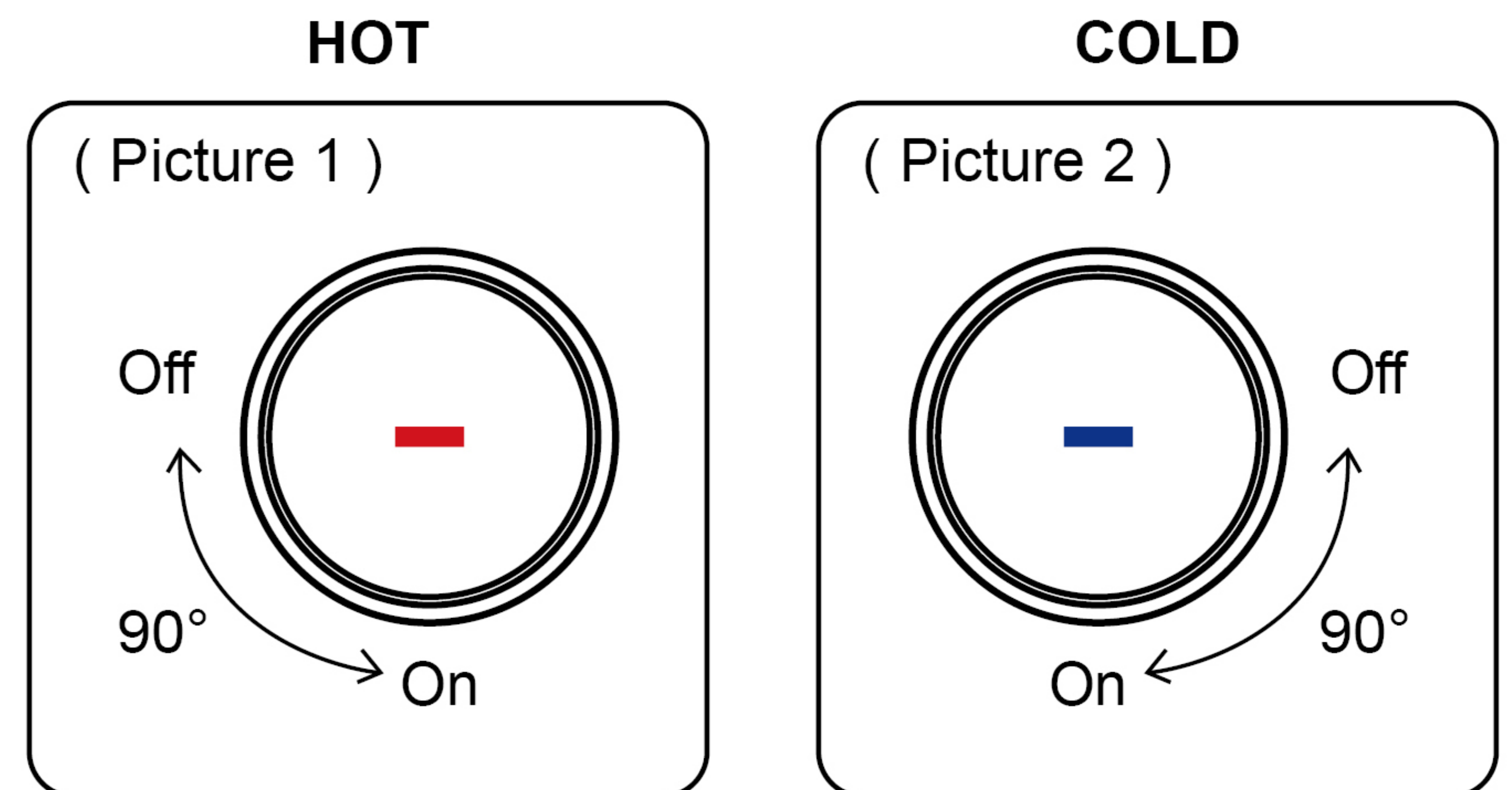
Parts list

NO	PART NAME	QTY	NO	PART NAME	QTY
①	Spout	1	⑤	Quick Connector	1
②	Hot Water Knob Parts	1	⑥	Quick Connector Hose	1
③	Cold Water Knob Parts	1	⑦	Water Supply Hose	2
④	Thread Connector Parts	1	⑧	Instructions	1

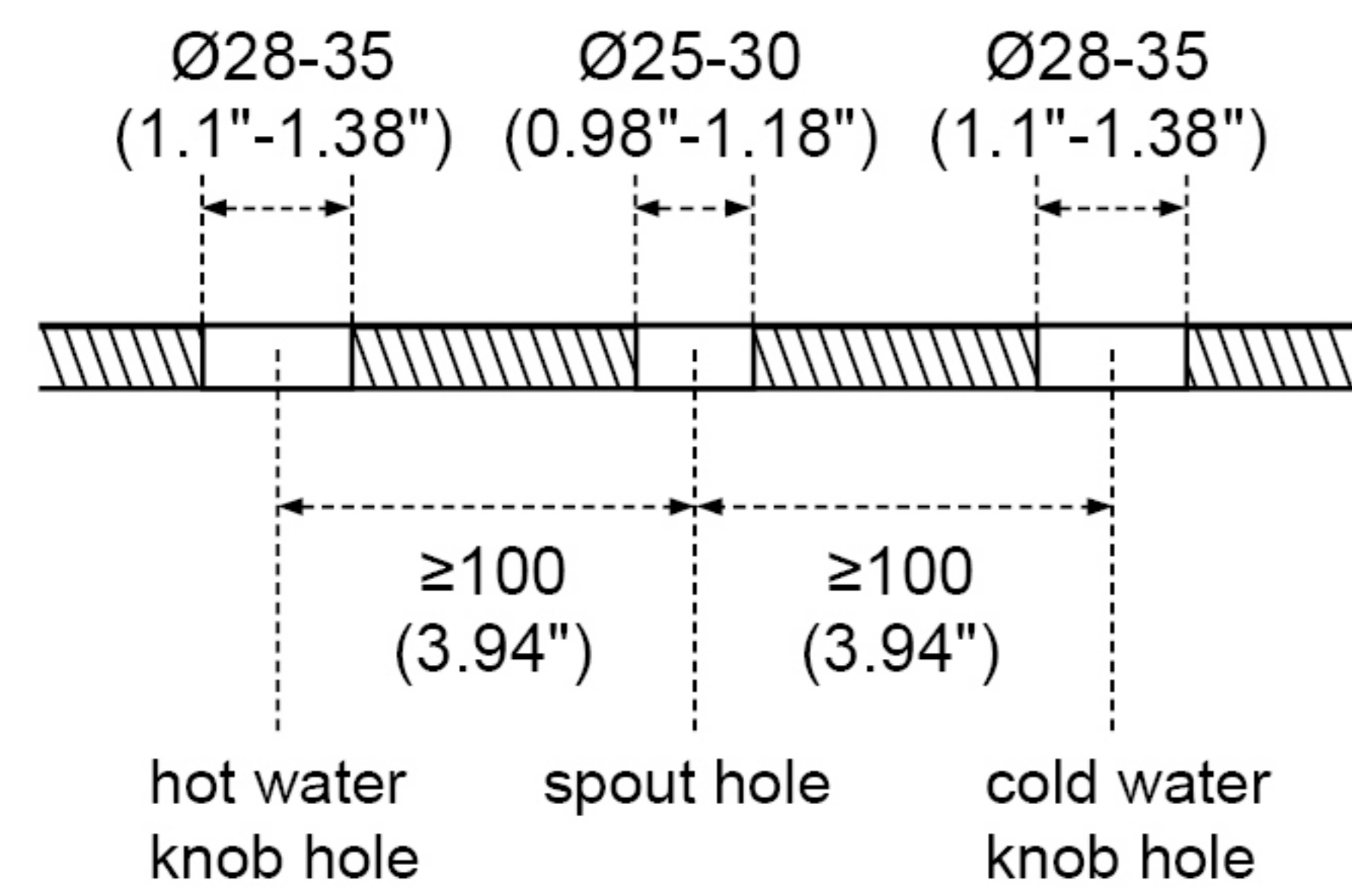
Instructions for use

1. Turn left lever counterclockwise to turn on hot water. The greater the lever angle, the greater the water flow; Conversely, the smaller the lever angle, the smaller the water flow, until it is closed.

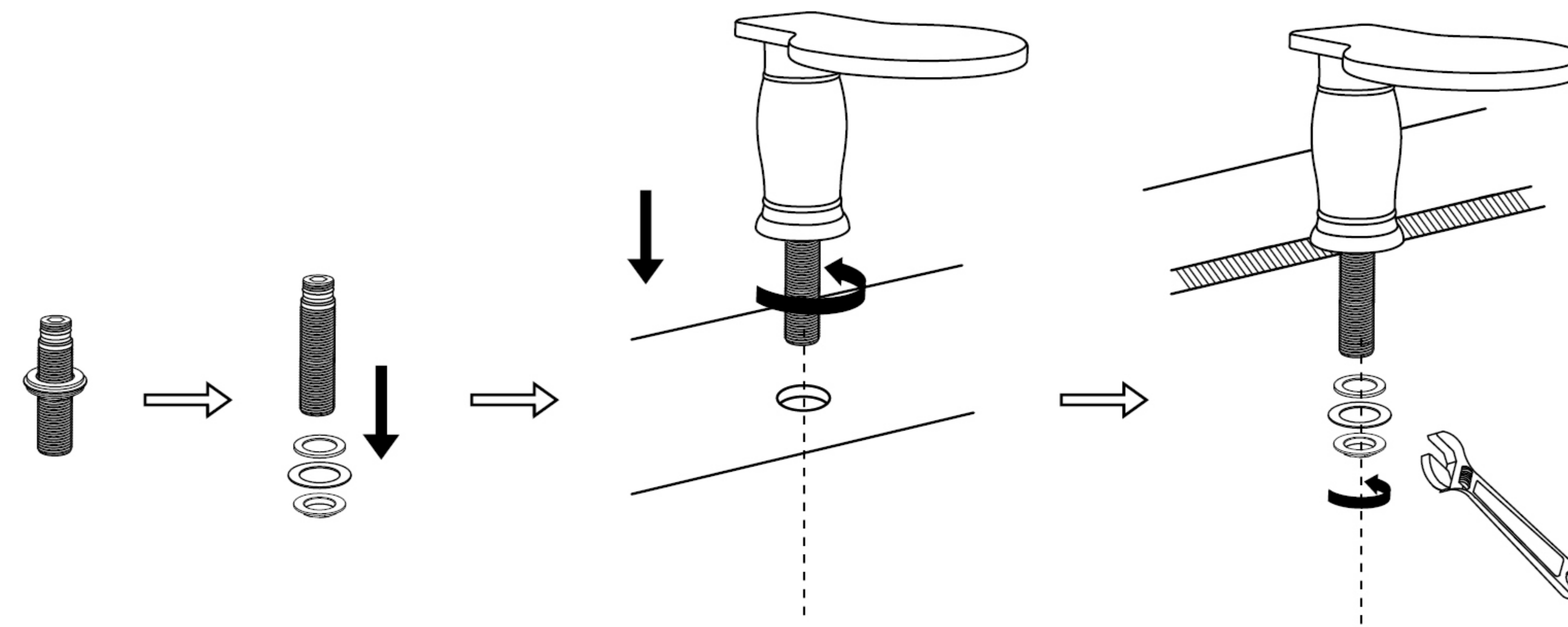
2. Turn right lever clockwise to turn on cold water. The greater the lever angle, the greater the water flow; Conversely, the smaller the lever angle, the smaller the water flow, until it is closed.



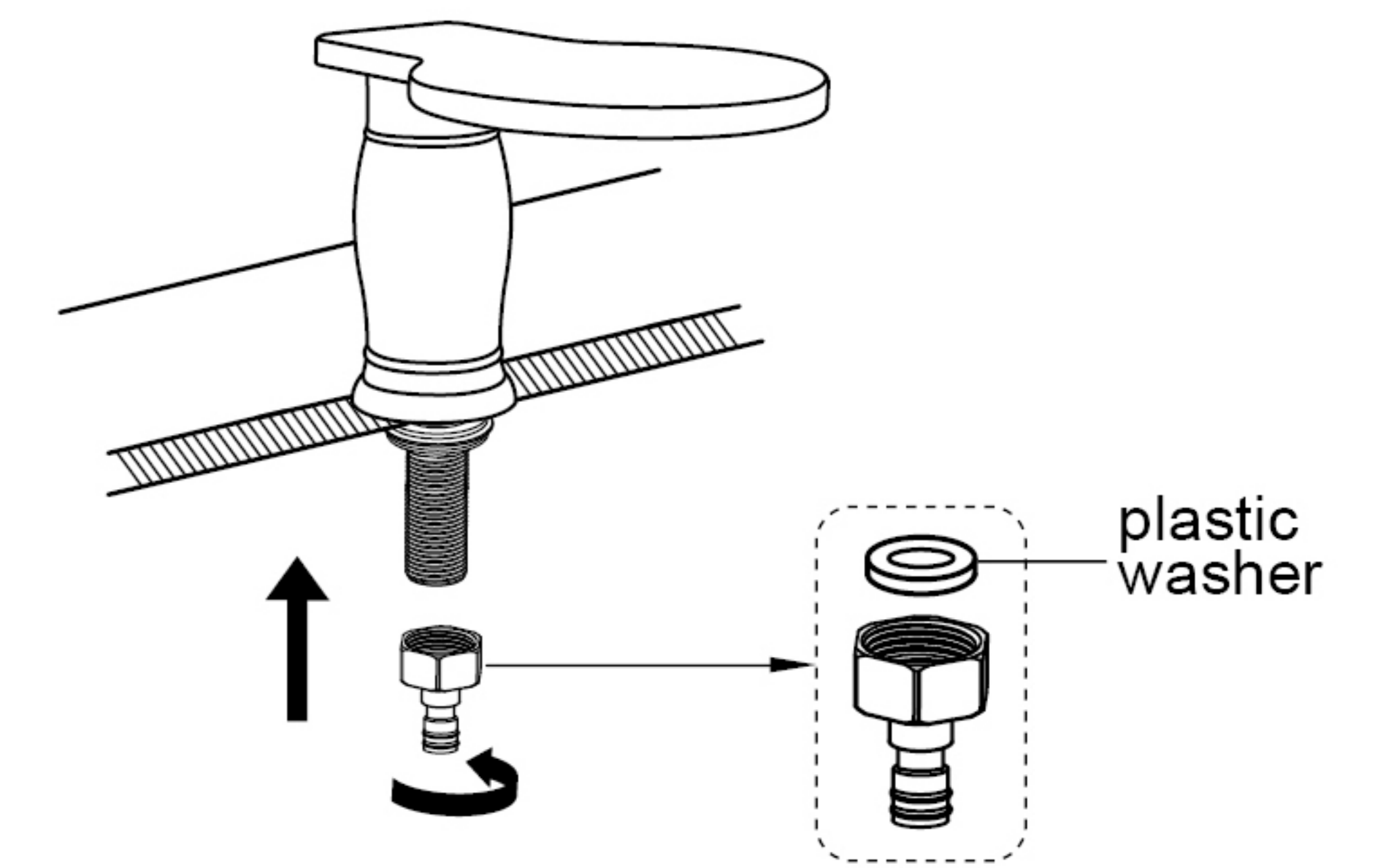
Recommended opening
holes size: (unit: mm / inch)



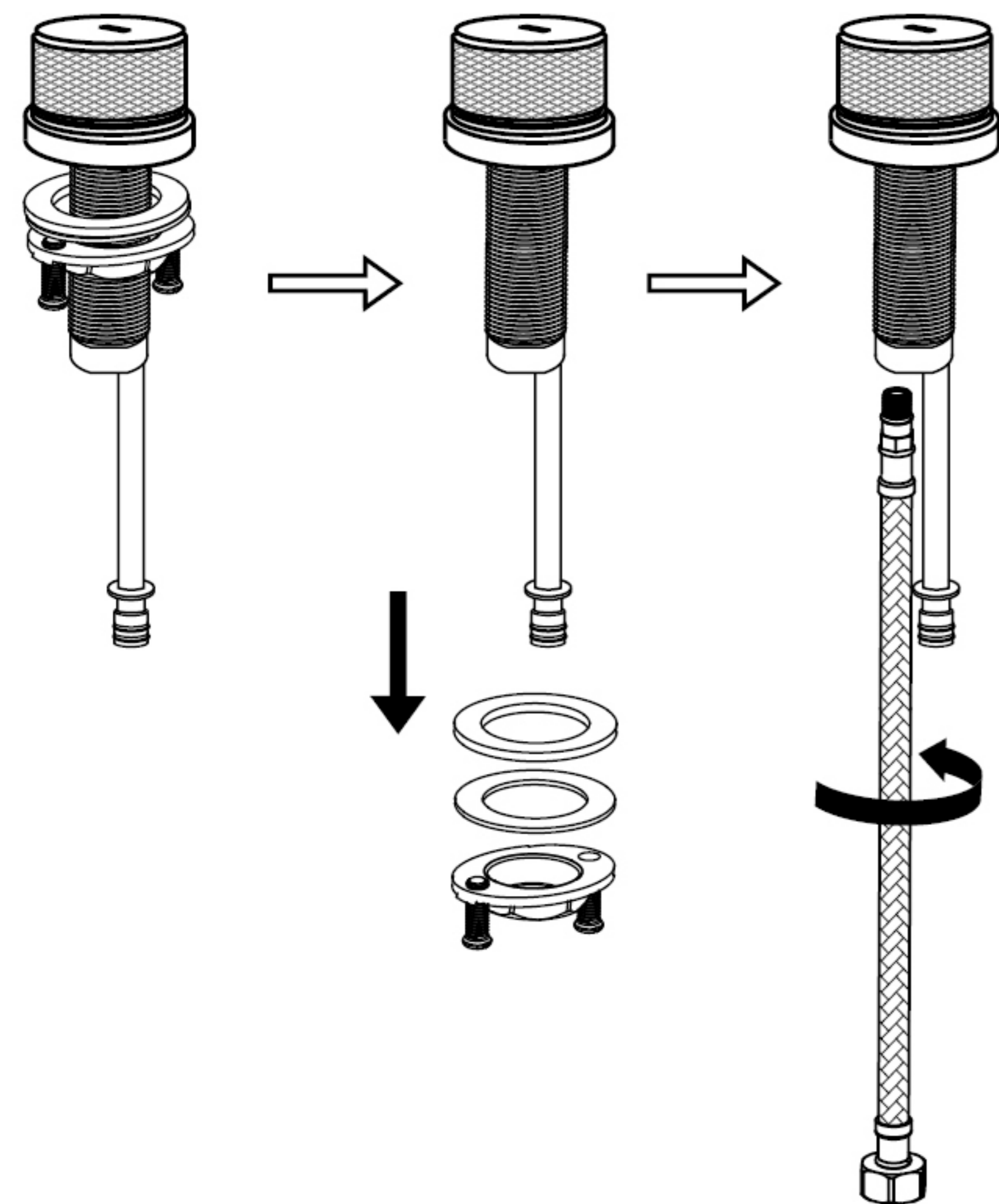
1. Drill holes as recommended opening holes size (Note: holes distance should as picture shows)



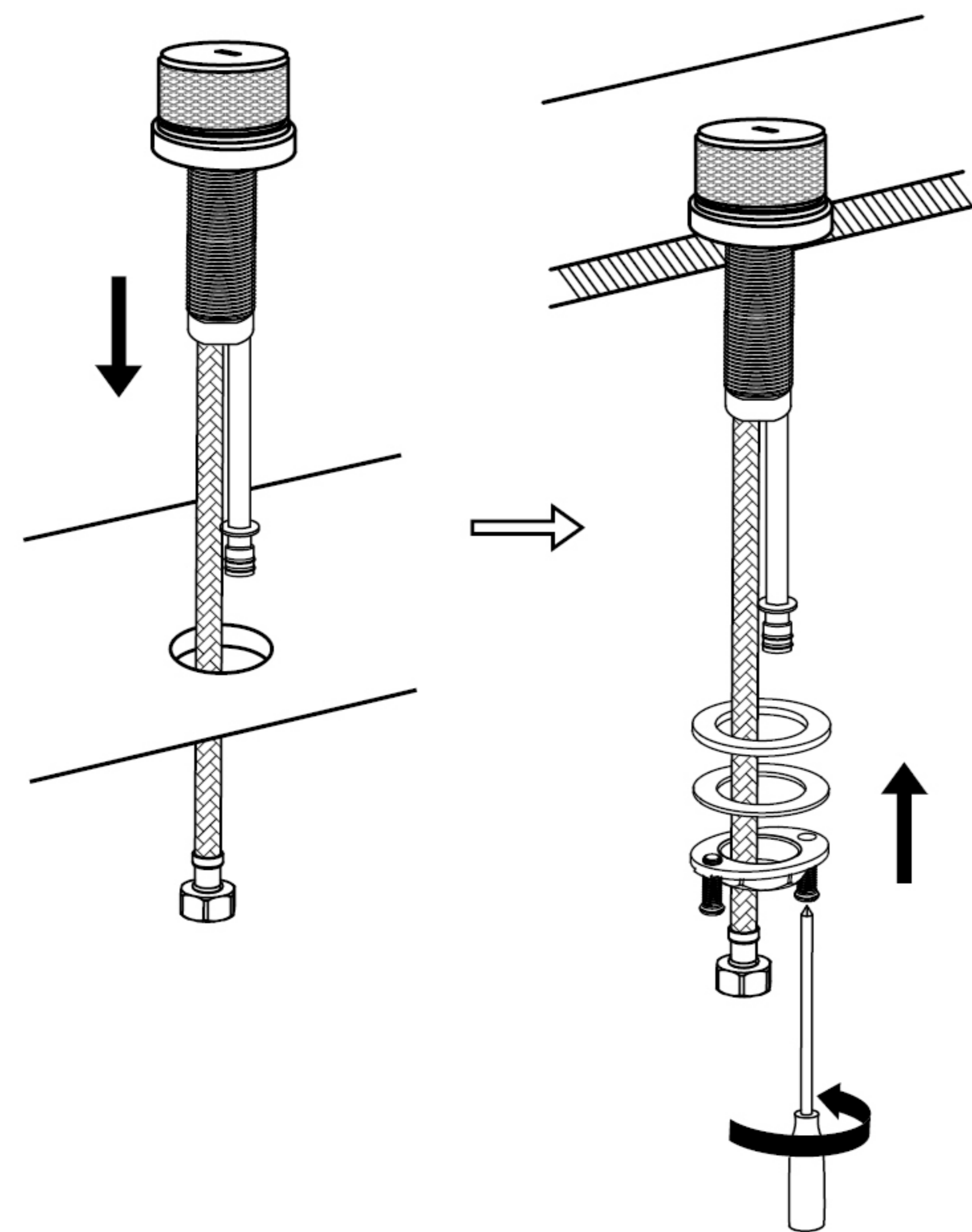
2. Unscrew washers and locking nut from thread connector, connect thread connector to spout then place spout into hole. Rescrew washers and locking nut to thread connector then tighten the locking nut with wrench.



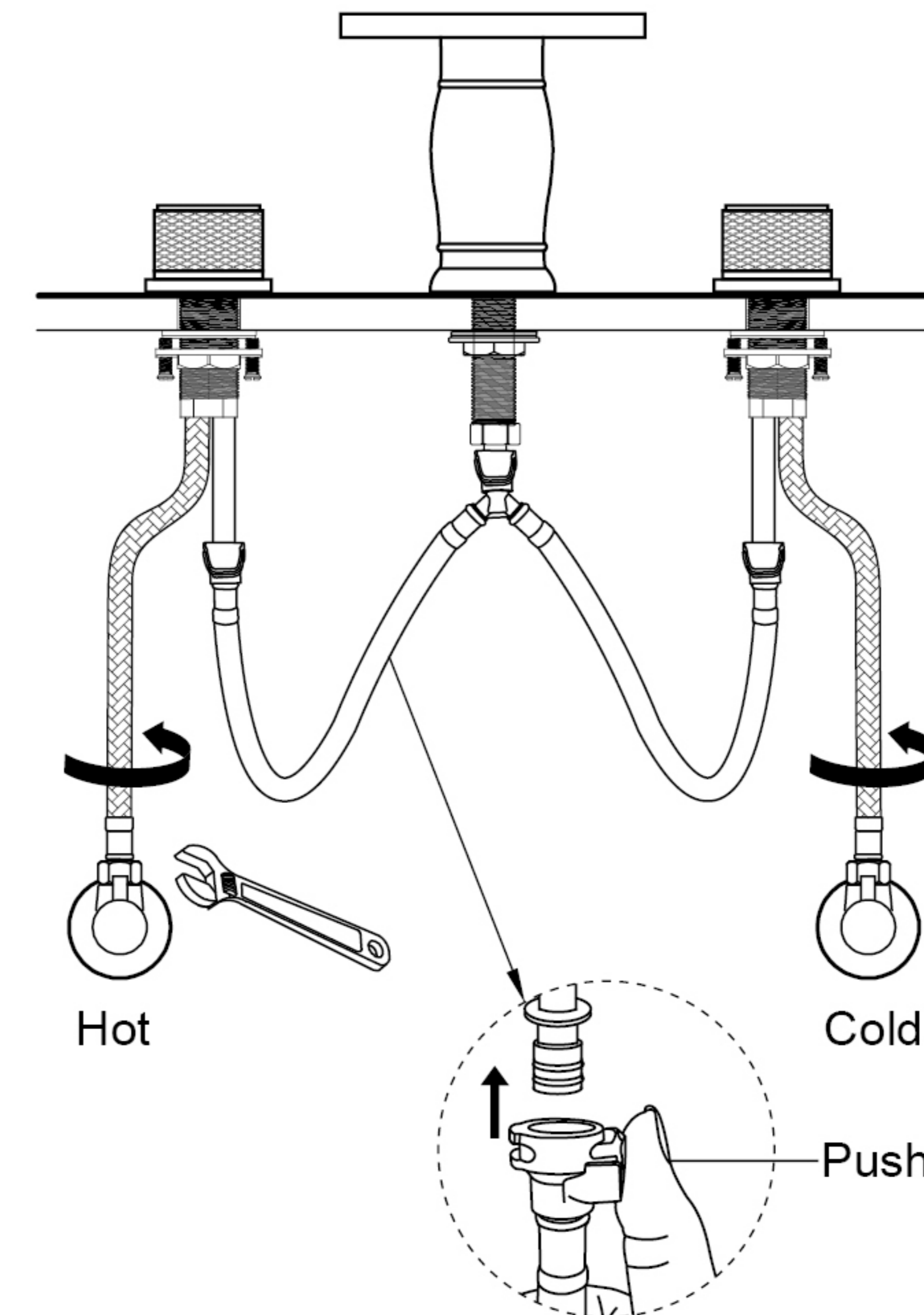
3. Screw quick connector to the thread connector as picture shows. (Note: Please make sure there is a washer inside the quick connector)



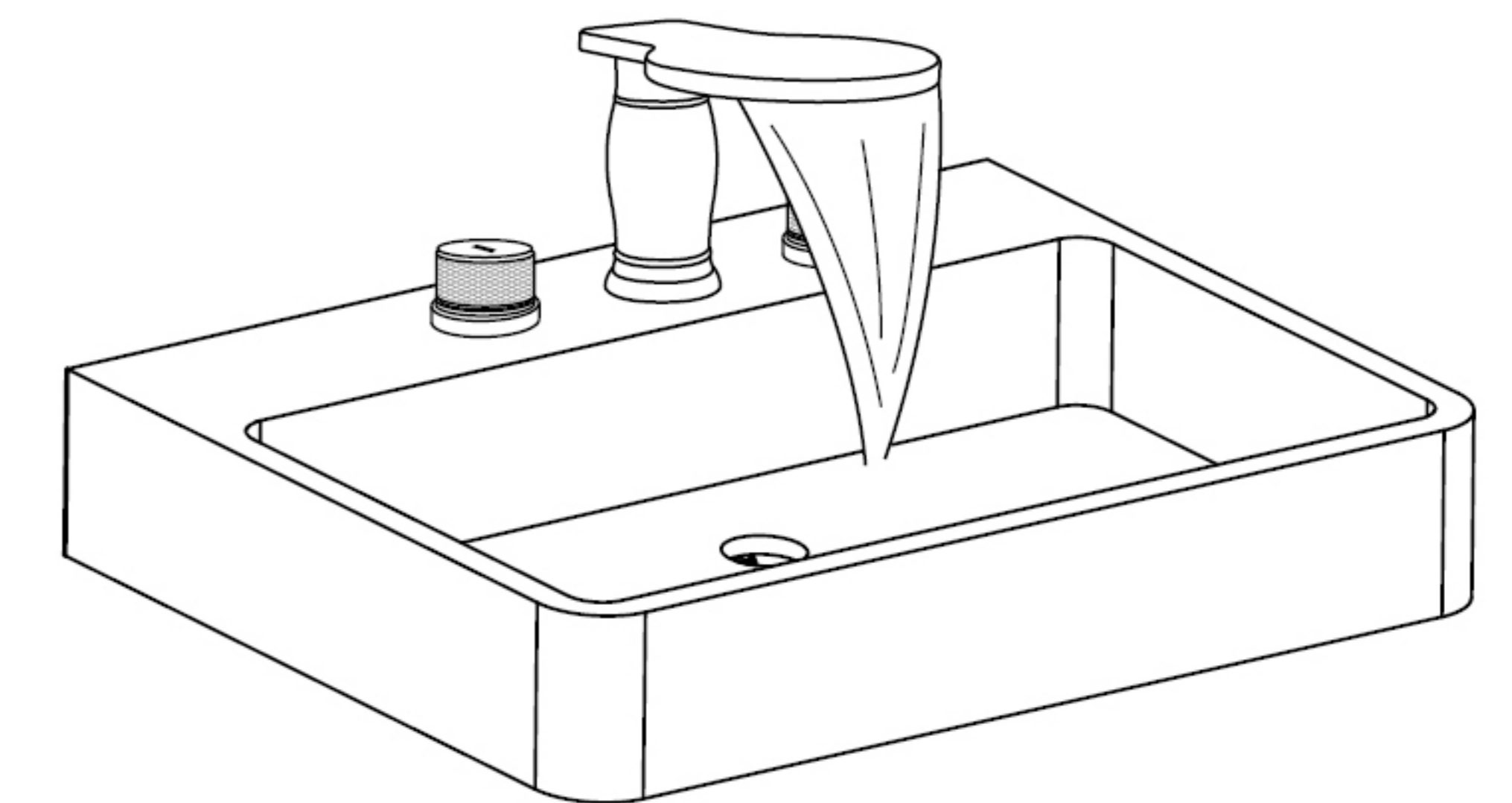
4. Unscrew washers and locking nut from thread connector of hot & cold water knobs; Screw hot & cold water supply hoses to the hot & cold water knob holes and hand tighten them.



5. Place hot and cold water knob parts into holes; Rescrew washers and locking nut to thread connector until can not move, then tighten the screws on the locking nut with cross screwdriver.



6. As picture shows, connect quick connector hose to the connectors of spout and hot and cold water knobs, then screw hot and cold water supply hoses to hot and cold angle valves and tighten them with wrench.



7. Turn on water, check for leakage, retighten the hoses if necessary.