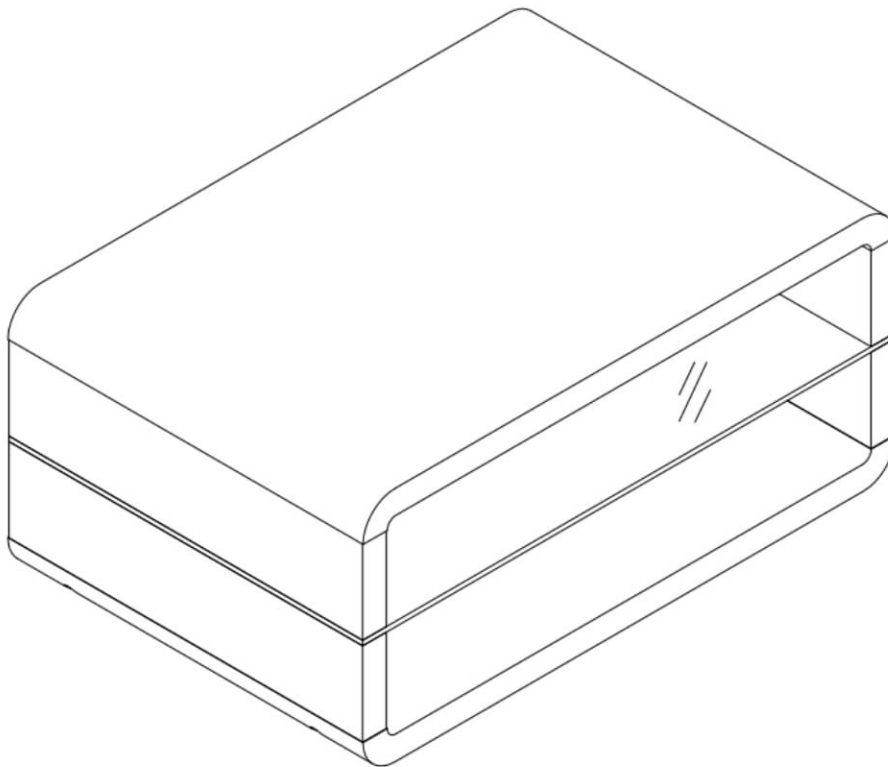


# *ASSEMBLY INSTRUCTIONS*



Coffee Table

# ASSEMBLY INSTRUCTIONS

## ASSEMBLY TIPS:

1. Remove hardware from box and sort by size.
2. Please check to see that all hardware and parts are present prior to start of assembly.
3. Please follow attached instructions in the same sequence as numbered to assure fast & easy assembly.



## WARNING!

1. Don't attempt to repair or modify parts that are broken or defective. Please contact the store immediately.
2. This product is for home use only and not intended for commercial establishments.



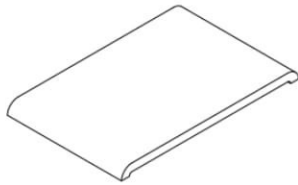
ASSEMBLY TIME

15 MINUTES

## PARTS IDENTIFICATION

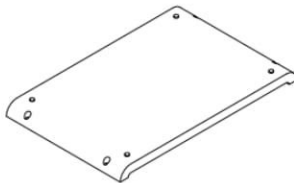
A TOP

1PC



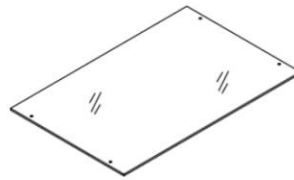
B BASE

1PC



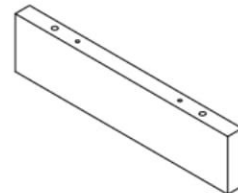
C GLASS

1PC



D SIDE PANEL

4PCS



## Z HARDWARE IDENTIFICATION

1 ROD

4PCS



M8\*330

3 ROD NUT

4PCS



4 WASHER

4PCS



2 WOOD DOWEL

8PCS



∅8\*30

6 WOOD PLUG

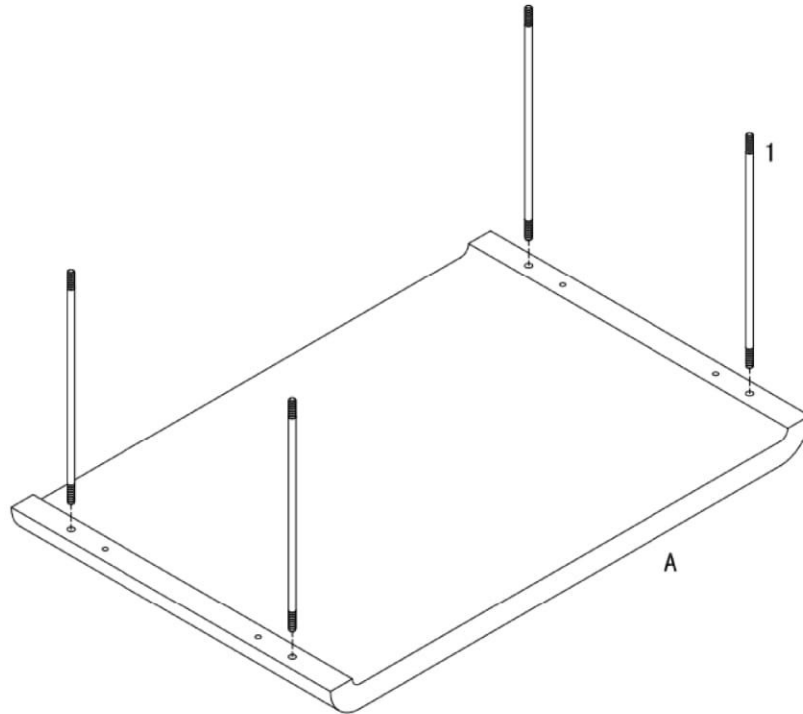
1PC



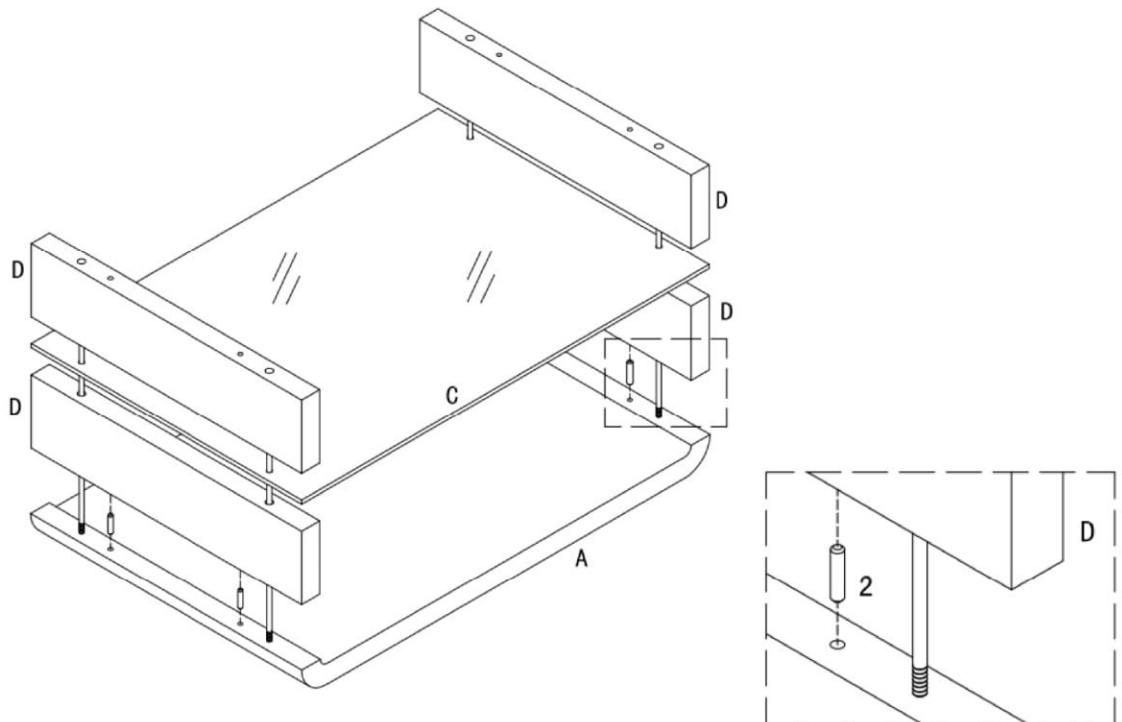
M5

# ASSEMBLY INSTRUCTIONS

## STEP 1

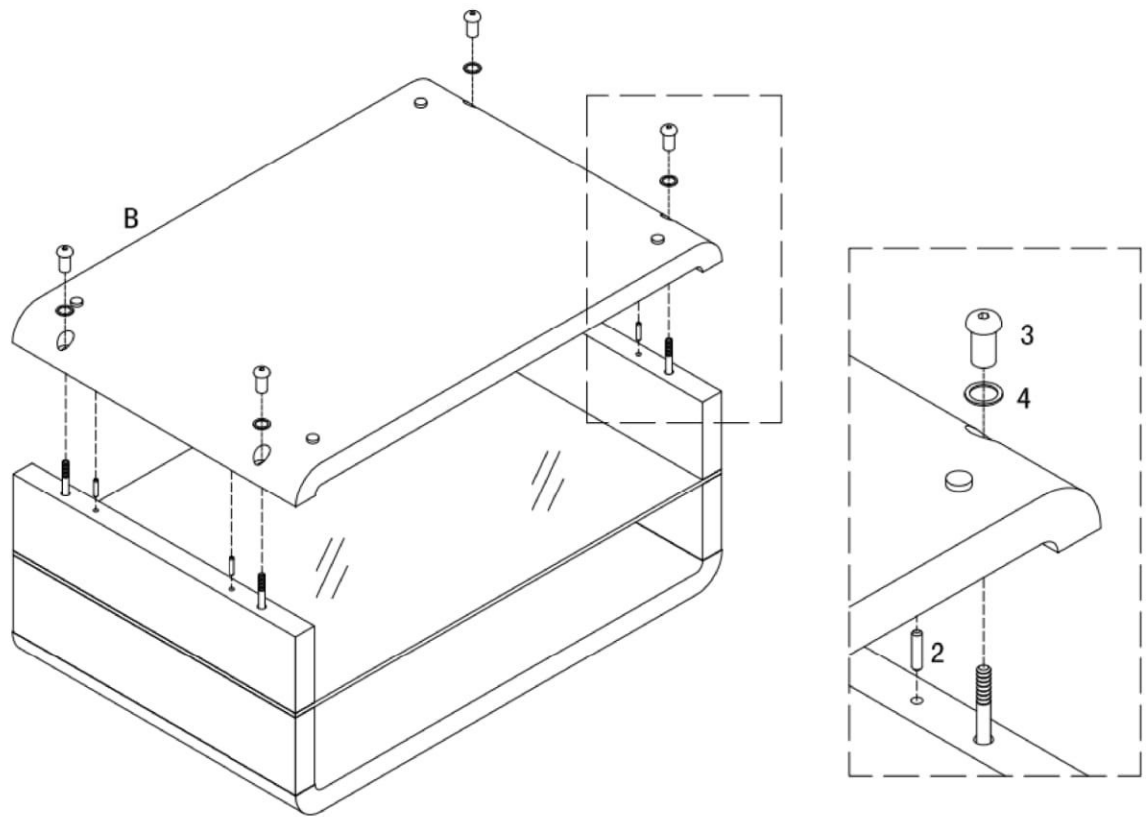


## STEP 2

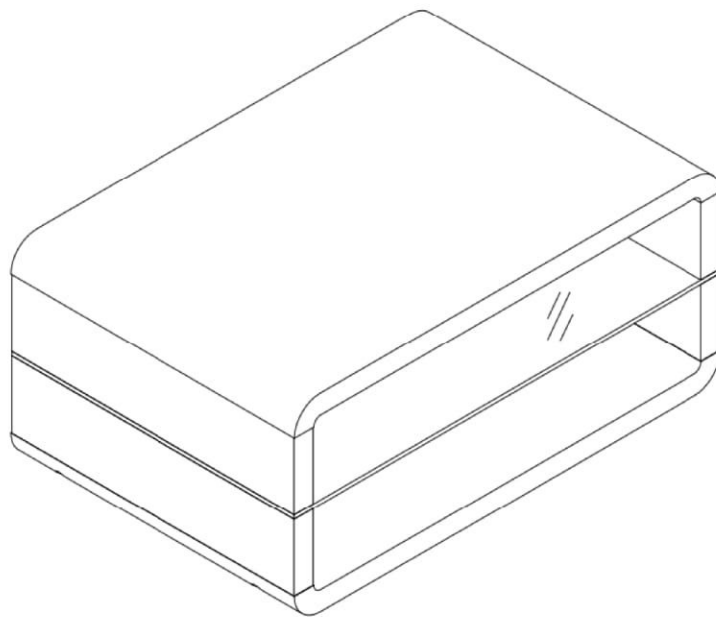


# ASSEMBLY INSTRUCTIONS

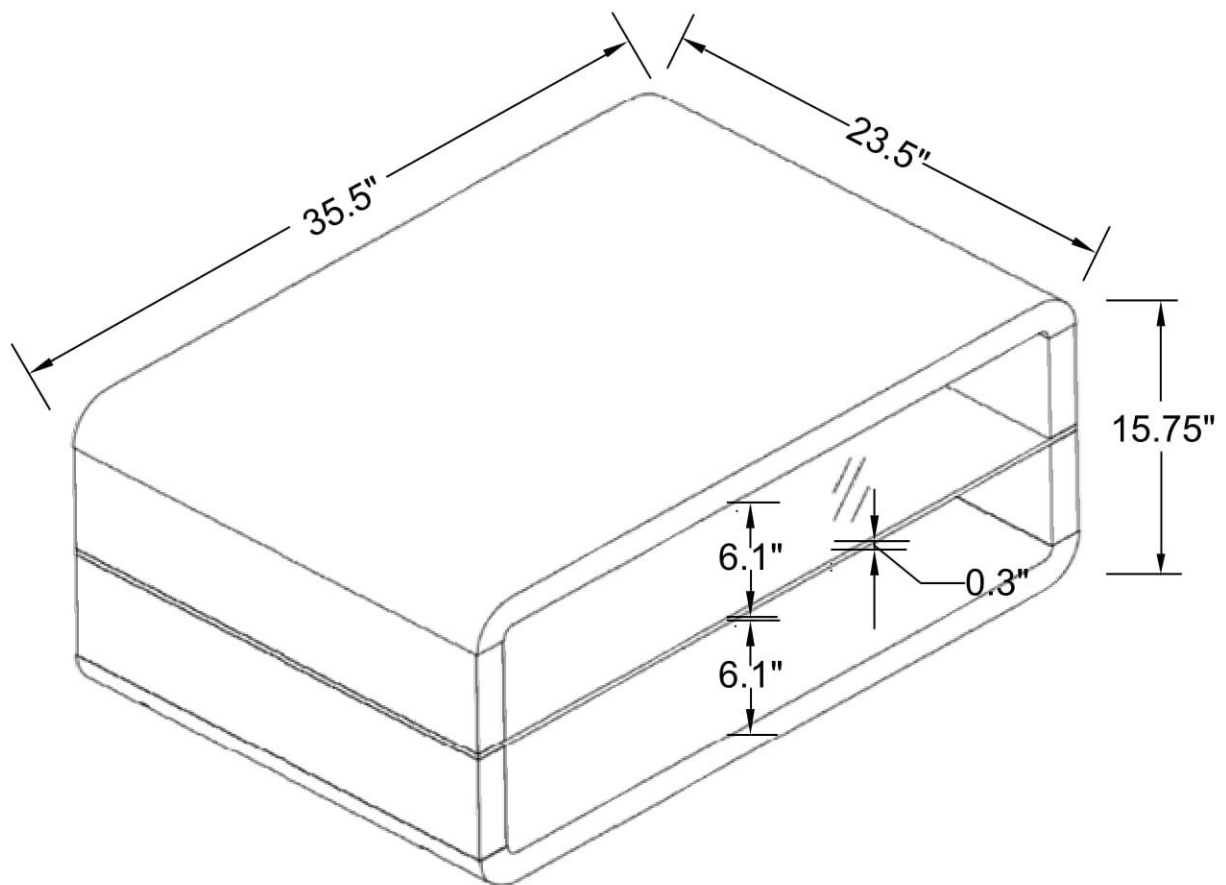
## STEP 3



## STEP 4



# ASSEMBLY INSTRUCTIONS



Note: Dimension tolerance  $\pm 5\%$