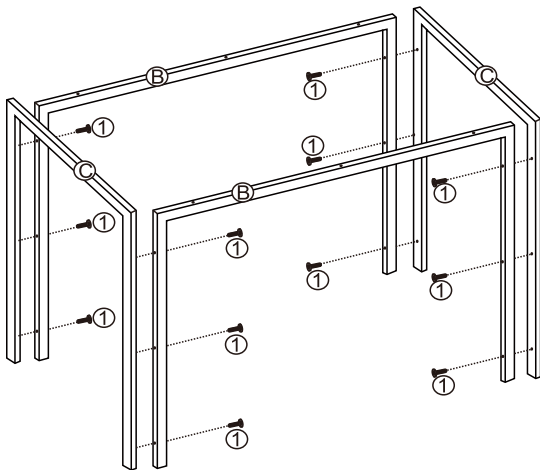
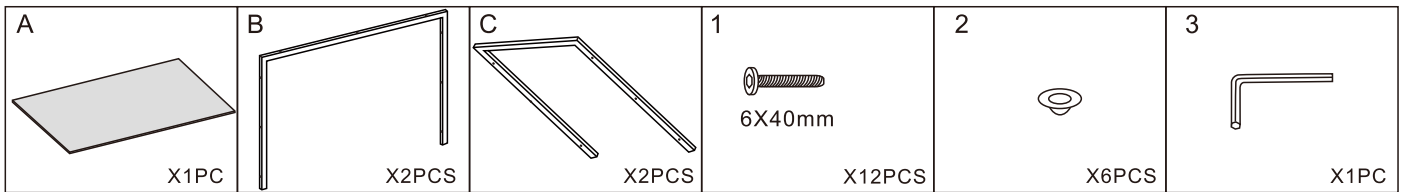
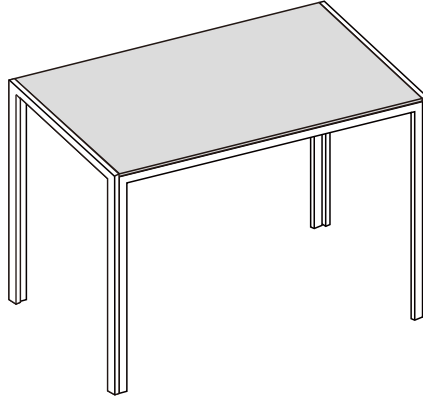
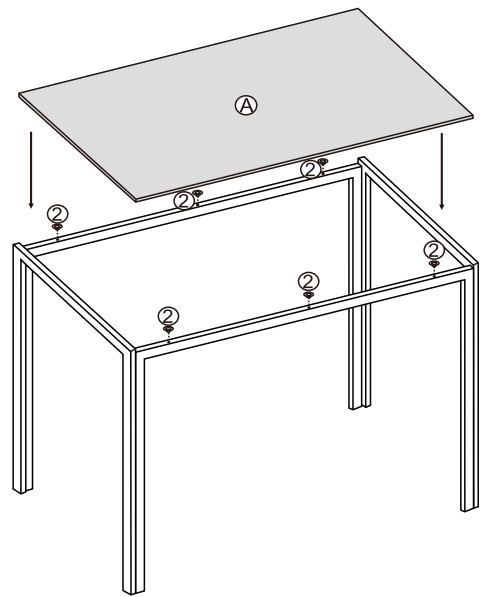


DINING TABLE

ASSEMBLY INSTRUCTIONS



1. Connect part C end frames to part B side frames with twelve part 1 screws (6 x 40mm)

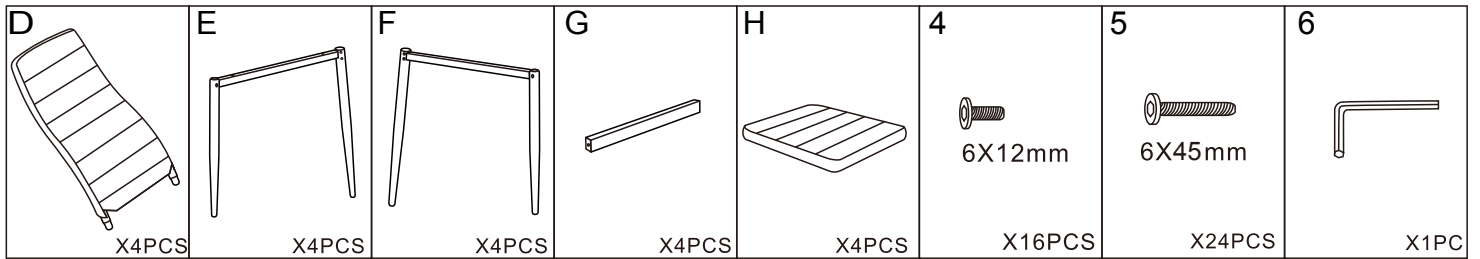
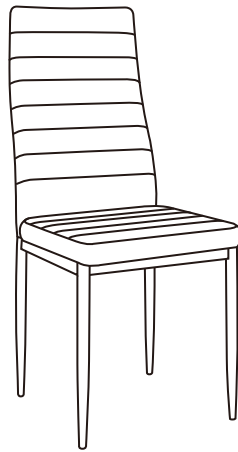


2. Attach part A tabletop to assembled frame with six part 2 suction cups

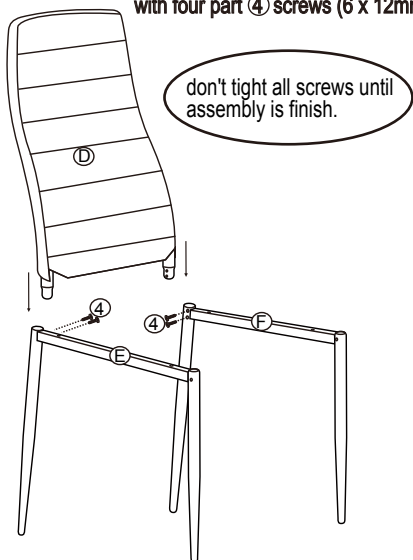
WARNING

- DO NOT TIGHTEN SCREWS UNTIL COMPLETELY ASSEMBLED
- Please read the instruction manual carefully before using it.
- Please assemble strictly in accordance with the instruction.
- Please double check to ensure that all parts of the package contents are intact. If any parts are missing, broken, damaged or worn, stop using this product until repairs are made and factory replacement parts are installed.

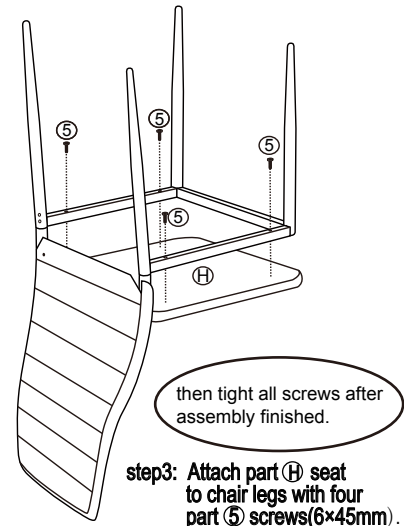
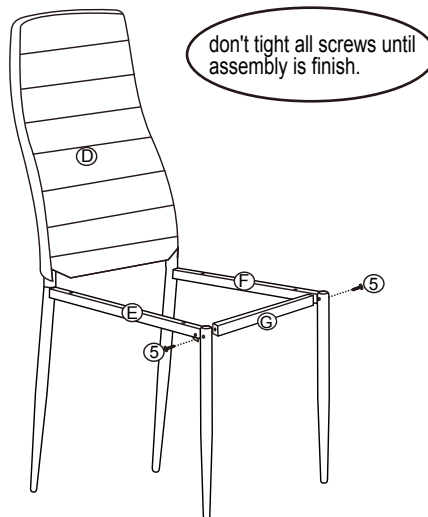
DINING CHAIR ASSEMBLY INSTRUCTIONS



step1: Attach part **D** backrest to chair legs with four part **4** screws (6 x 12mm)



step2: Connect part **G** support beam to part **E** left leg and part **F** right leg with two part **5** screws (6 x 45mm)



step3: Attach part **H** seat to chair legs with four part **5** screws(6x45mm).

Attached front two screws before back screws for easier Assembly.

WARNING

- DO NOT TIGHTEN SCREWS UNTIL COMPLETELY ASSEMBLED
 - Please read the instruction manual carefully before using it.
 - Please assemble strictly in accordance with the instruction.
 - Please double check to the ensure that all parts of the package contents intact
- If you any parts are missing, broken, damaged or worn, stop using this products until repairs are made and factory replacement parts are installed.