

INSTALLATION MANUAL



GENERAL RECOMMENDATION

Your existing heating system and new radiators should be flushed prior to new appliances being added, Once the new radiators have been installed we would recommend using a cleaning agent fluid for 7 days in the heating system to clear any remaining debris, after 7 days reflush the system and add a system inhibitor to keep the system free of debris and blockages.

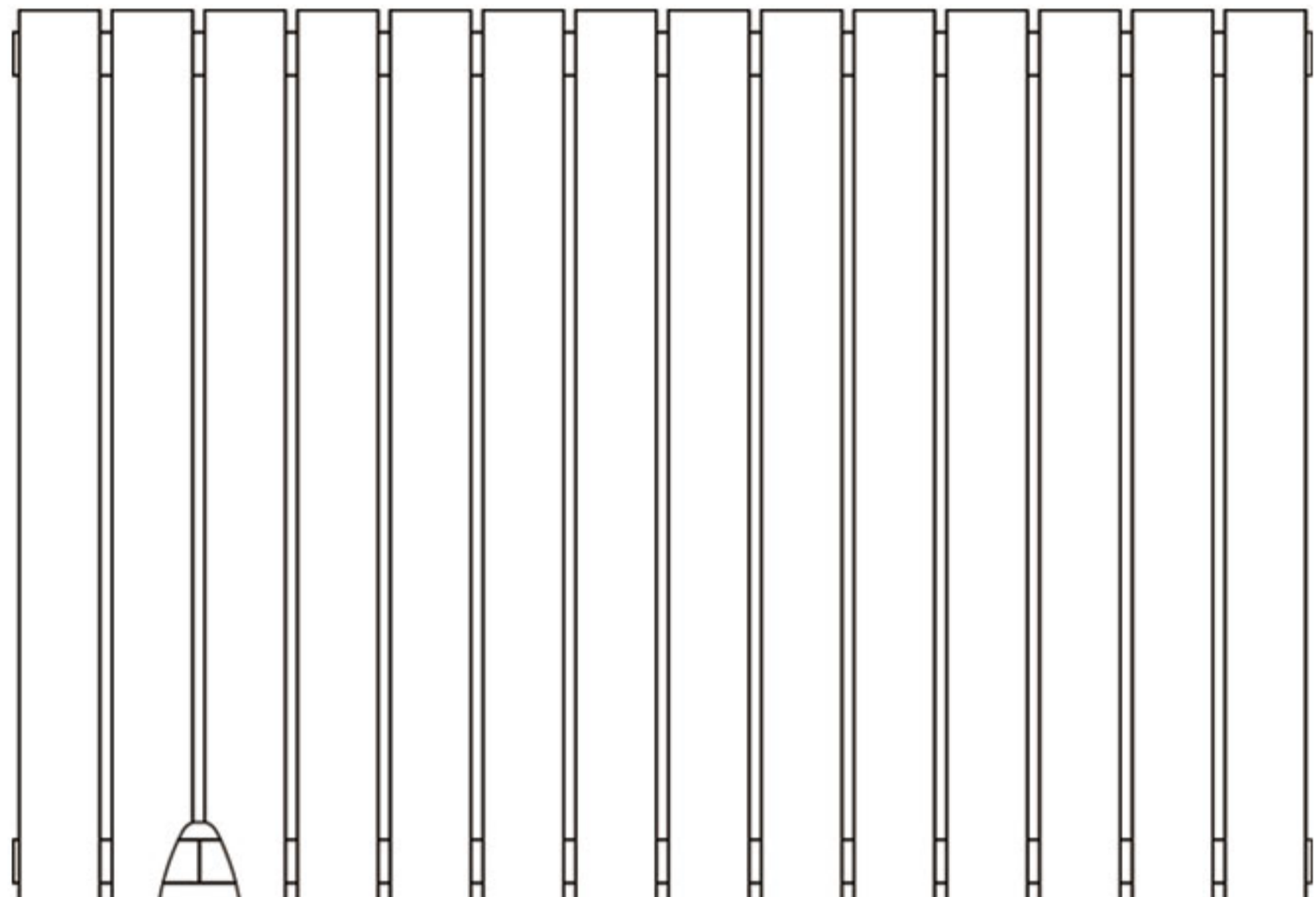
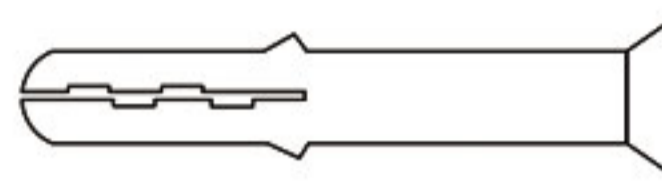



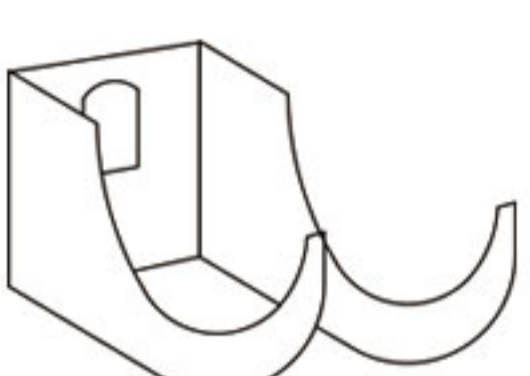
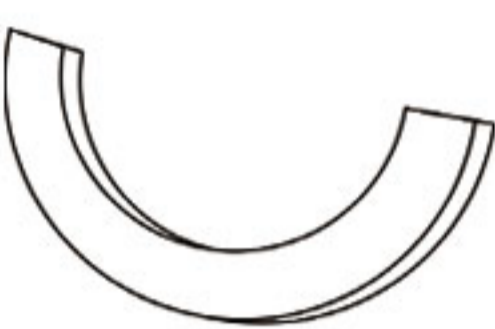
In order to fit the radiator to the wall, it is necessary to choose the proper fixings for the wall material. If the system water exceeds 50 degrees centigrade, please install a warning mark near the radiator to avoid any accidental scalding. Clean the radiator surface only with a soft cloth to avoid scratching the finish and do not use chemical harsh chemicals for cleaning. It is prohibited to climb on the radiator. Maximum working temperature: 95 degrees centigrade. Maximum working pressure: 4 bar.

BEFORE INSTALLATION


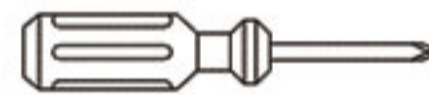




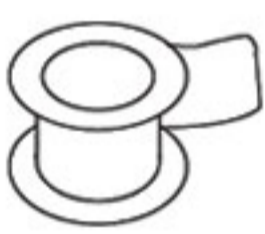
If installing horizontally please check for baffles inside the bottom tube. Use a long steel rod to knock the baffle open.

- ✔ Observe all local plumbing and building code
- ✔ Shut off the main water supply
- ✔ Read these instructions carefully to ensure proper installation
- ✔ Check to make sure you have the following parts indicated bellow

PARTS CHECKLISTS

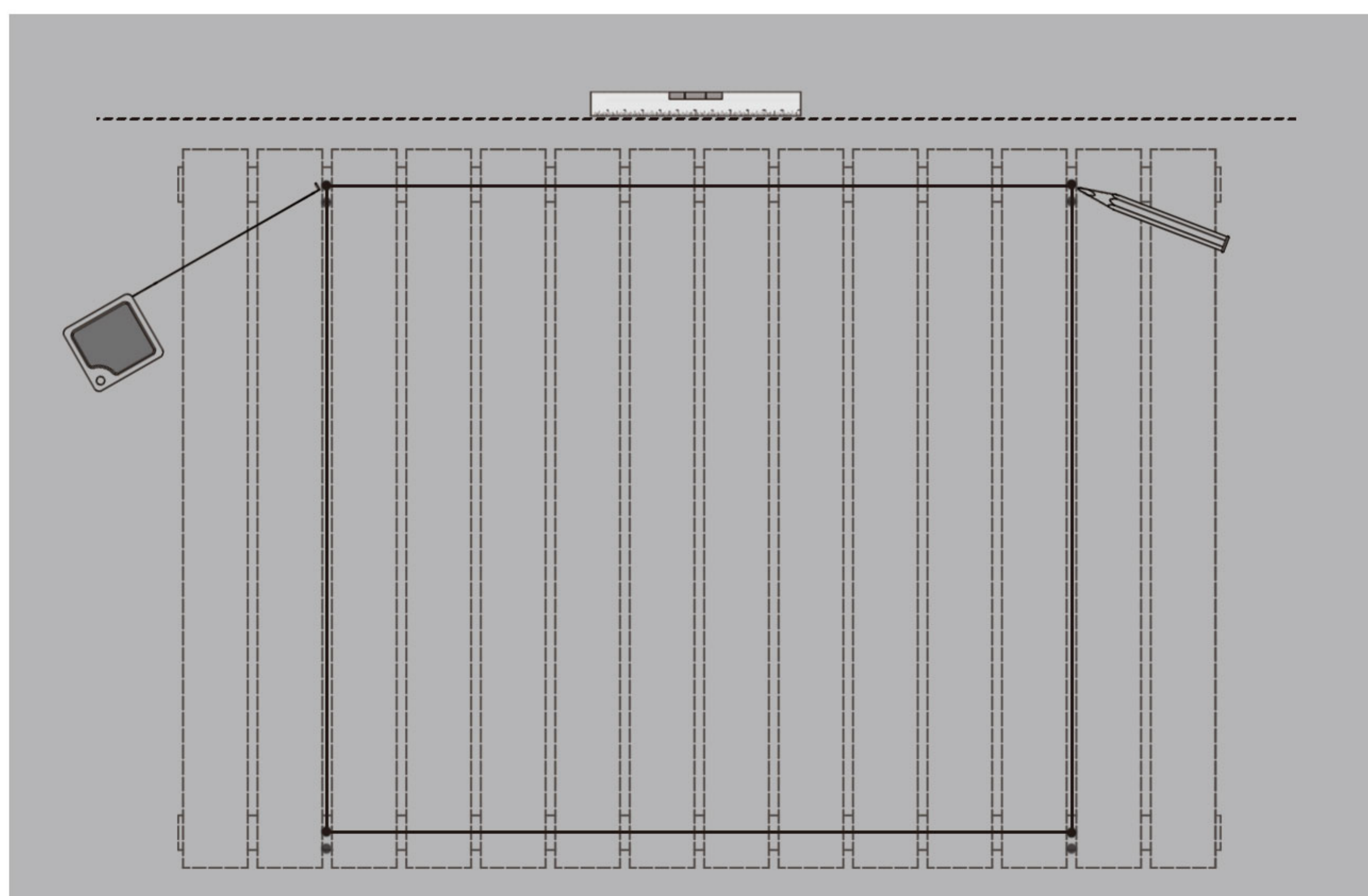
 <p>Body x1</p>	 <p>Masonry Wall Plug x4</p>	 <p>Screw x4</p>	 <p>Air Vent x1</p>
	 <p>Blank Plug x1</p>	 <p>Wall Bracket x4</p>	 <p>Spacer x8</p>

TOOLS YOU MIGHT NEEDED

									
Adjustable Wrench	Screw Driver	Electric Drill	Pencil	Tape Measure	Glove	Rubber Hammer	Spirit Level	Clean Cloth	PTFE Tape

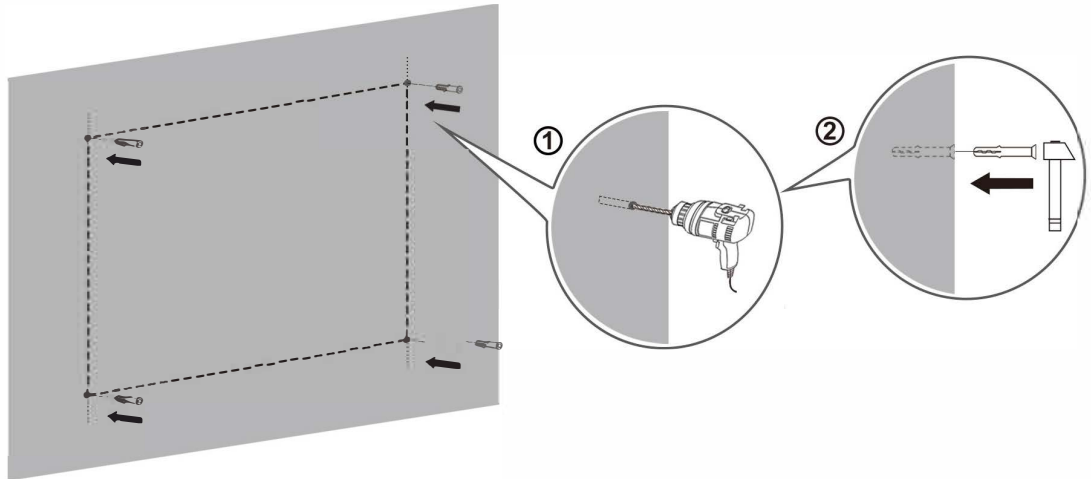
INSTALLATION PROCEDURE

- 1 Position the radiator in desired location, check for level and mark four equal positions for the brackets.

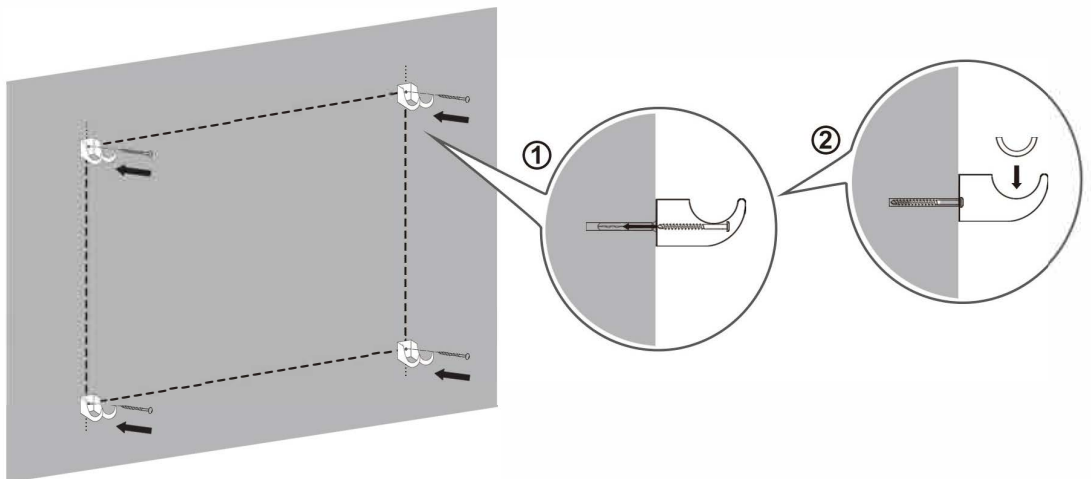


INSTALLATION PROCEDURE

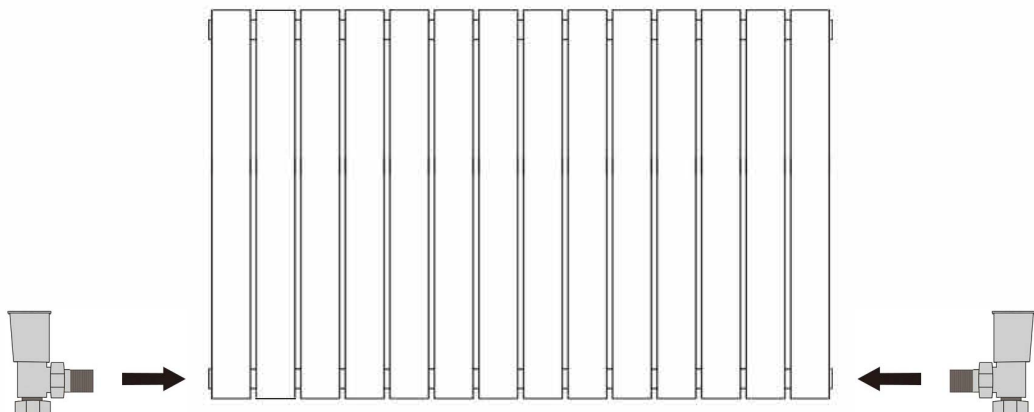
2 Once measured and marked drill all holes and insert the masonry plugs supplied.



3 Fix the wall brackets to the wall with screws provided and ensure a secure holding.

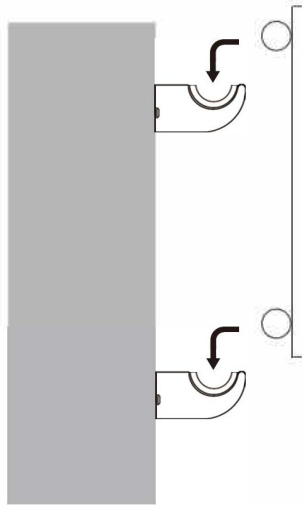


4 Apply PTFE tape to the threads on the valves. Screw the valves into the bottom of the radiator and tighten with a spanner.



INSTALLATION PROCEDURE

- 5 Rest the radiator onto brackets with the tubes on the back of the radiator sitting horizontally across.



AND FINALLY

- Open the air vent with a screwdriver and turn on the opening valve to let the water fill into the radiator.
- Carefully check all connections for any leaks.
- Once the water overflows from the air vent, there is no air in the tube.
- Close the air vent again and turn on the other valve. The radiator is now ready to use.
- Top up your household system if necessary with a good quality make of inhibitor fluid.

TROUBLESHOOTING

If some or all bars are not heating up after installation and during testing please try the below steps to resolve;

1. Increase pressure on your system to a minimum of 1.5 bar
2. Shut off all other radiators on the system
3. Reduce the outlet valve on the new radiator with the inlet fully open
4. Run heating again for min 2 hours to complete test
5. If this does not work, try rotating the radiator 180 degrees and swaping the valves and repeat the above.
6. Once the radiator is working, open all other radiators on the system and balance system accordingly.
7. If the radiator has been mounted vertically please ensure the radiator has been installed with the baffle at the bottom.
8. If the radiator has been mounted Horizontally, Please ensure you have opened the baffle as per directions on page 2.