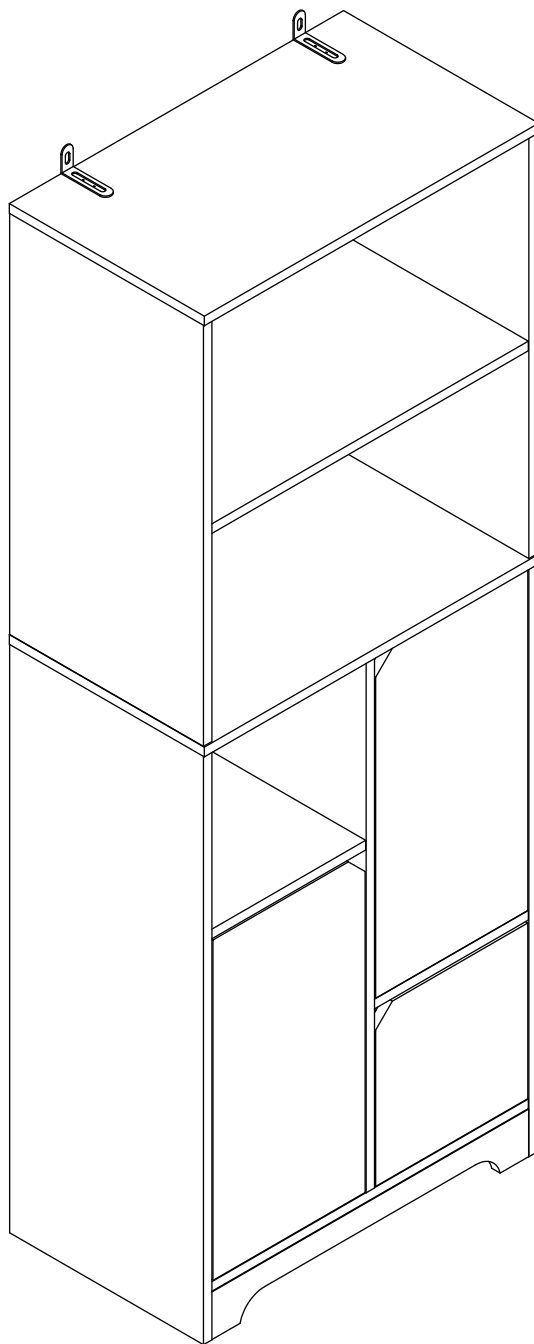
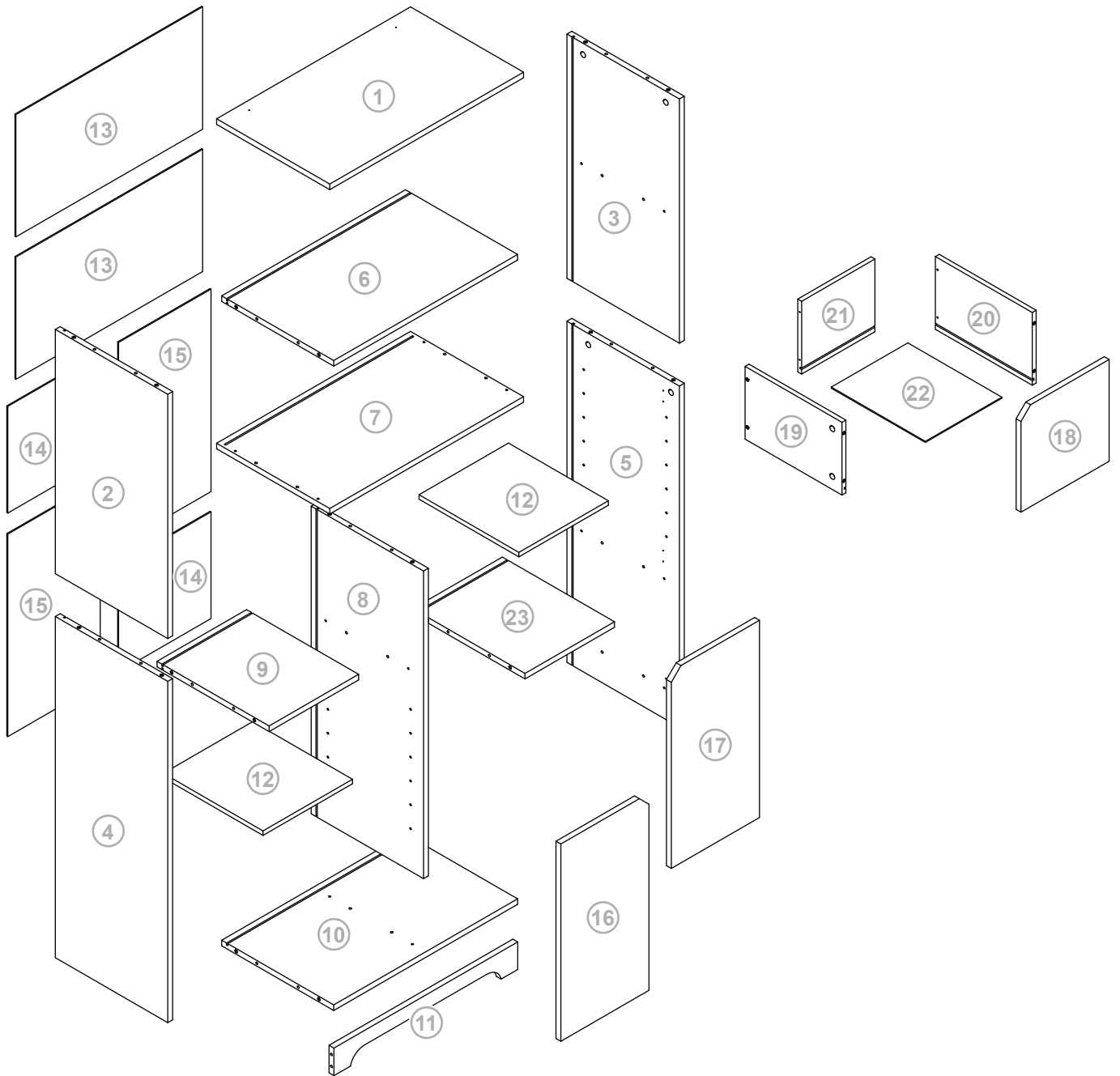


DJYC2408

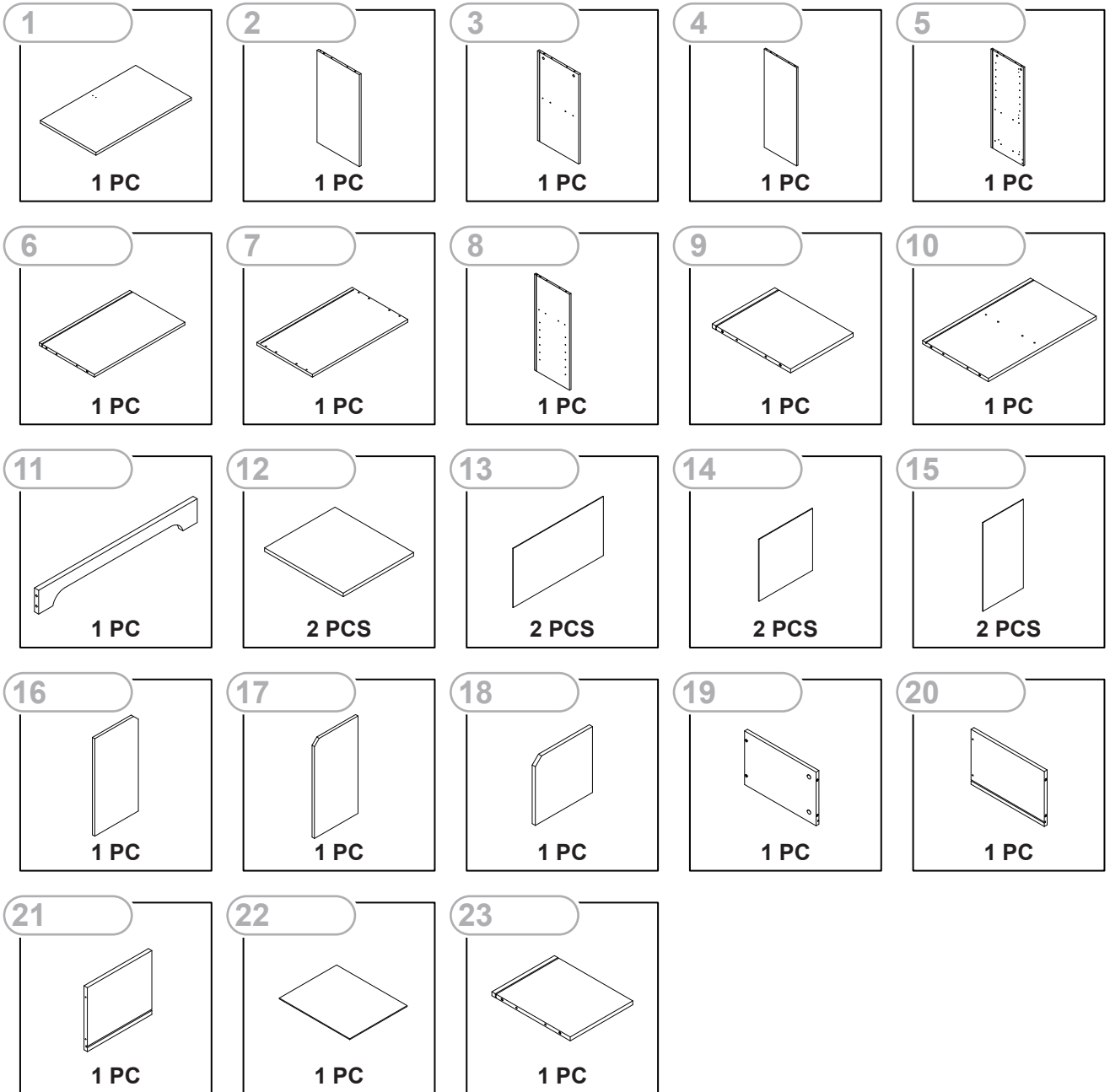
ASSEMBLY INTRODUCTION



Plate



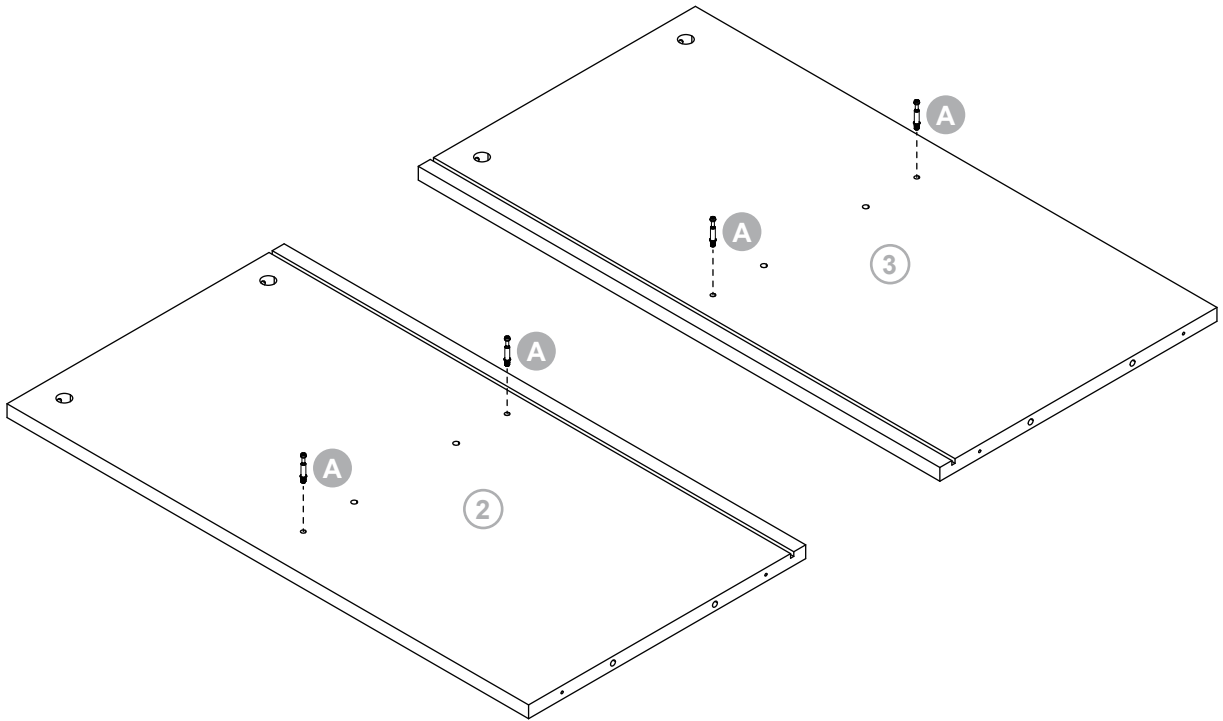
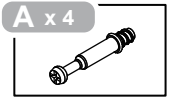
Plate



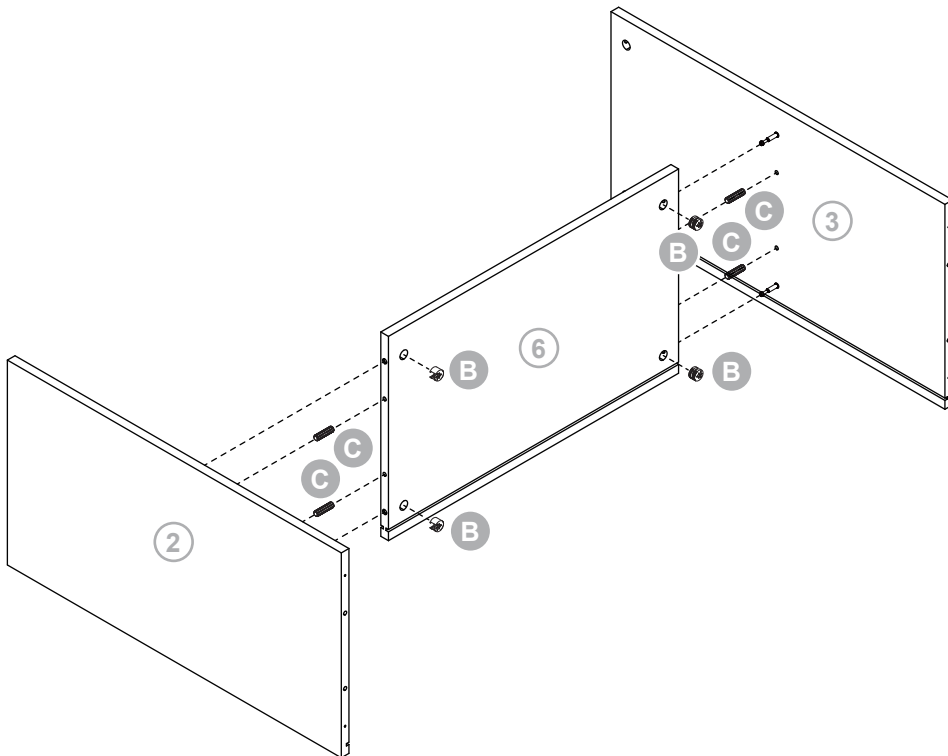
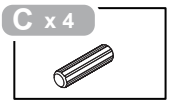
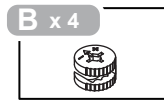
Fitting

<p>A x 30 +2</p>  <p>M6 x 35 mm</p>	<p>B x 30 +2</p>  <p>φ15 x 9.5 mm</p>	<p>C x 36 +2</p>  <p>φ6 x 30 mm</p>	<p>D x 6</p>  <p>φ5 x 45 mm</p>	<p>E x 10 +1</p>  <p>φ3 x 12mm</p>
<p>F x 2</p>  <p>75 x 15 x 30 mm</p>	<p>G x 8 +1</p>  <p>φ5 x 19 mm</p>	<p>H x 2</p>  <p>φ6 x 30 mm</p>	<p>I x 1</p>  <p>4 mm</p>	<p>J x 6</p>  <p>φ4 x 35 mm</p>
<p>K x 24</p>  <p>26 mm</p>	<p>L x 4</p>  <p>26 mm</p>	<p>M x 16</p>  <p>φ4 x 12 mm</p>	<p>CR x 1</p>  <p>300 mm</p>	<p>CL x 1</p>  <p>300 mm</p>
<p>DR x 1</p>  <p>300 mm</p>	<p>DL x 1</p>  <p>300 mm</p>			

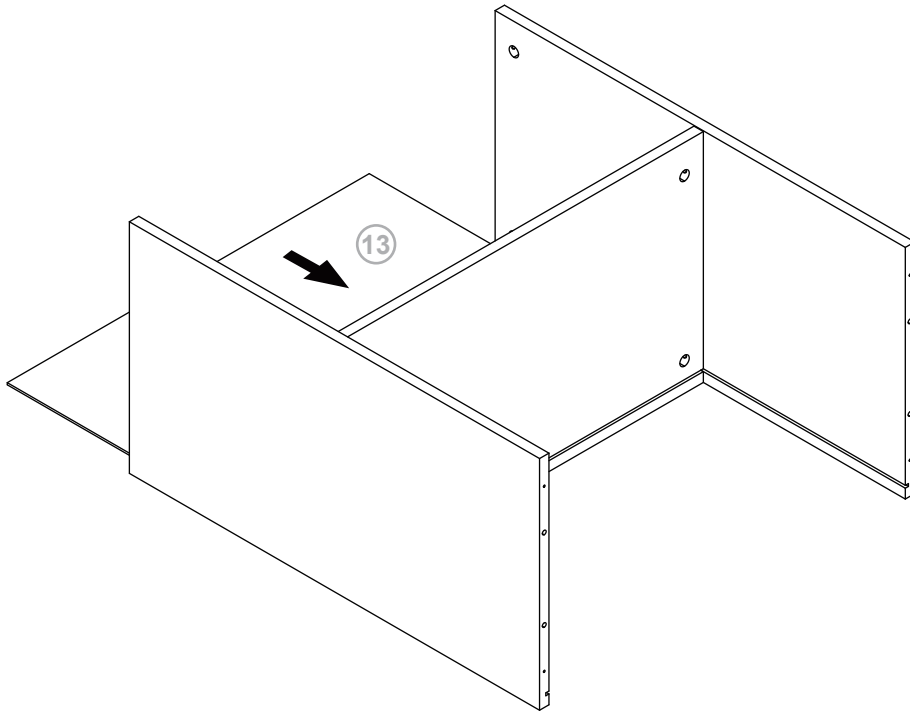
1



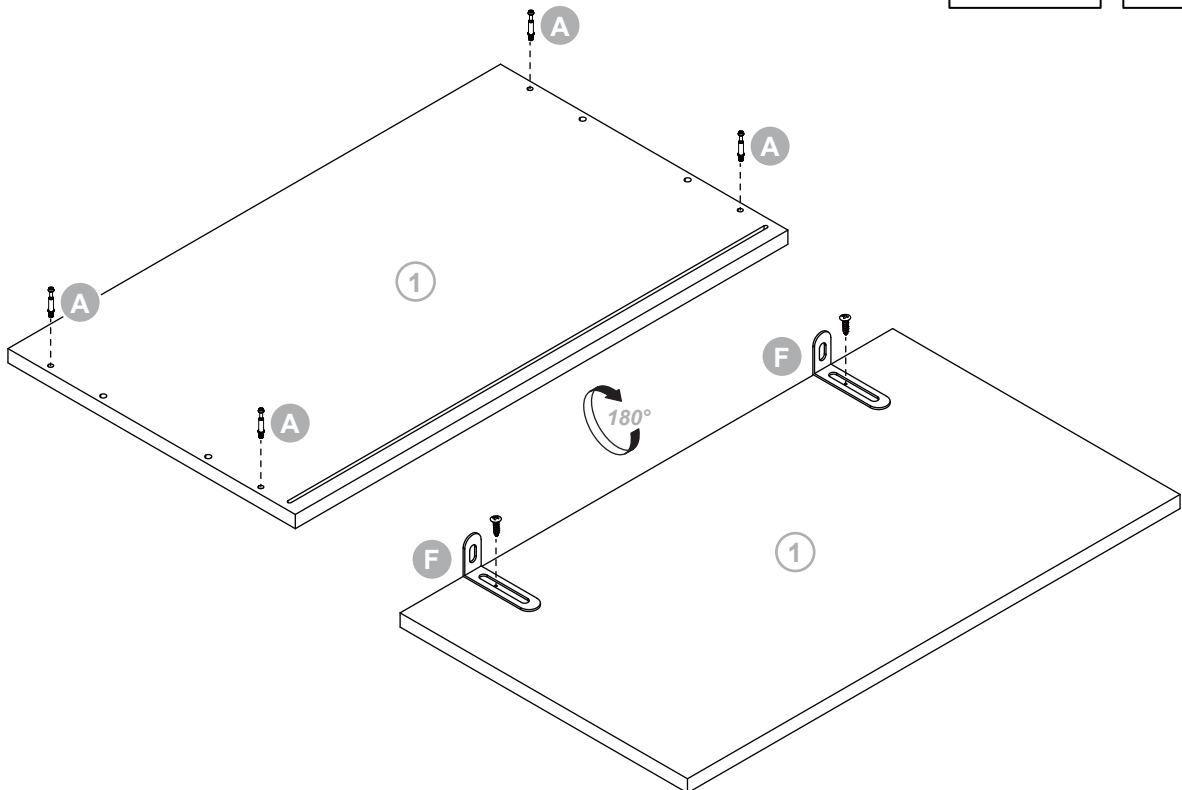
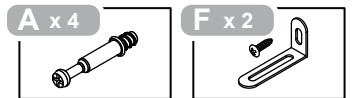
2



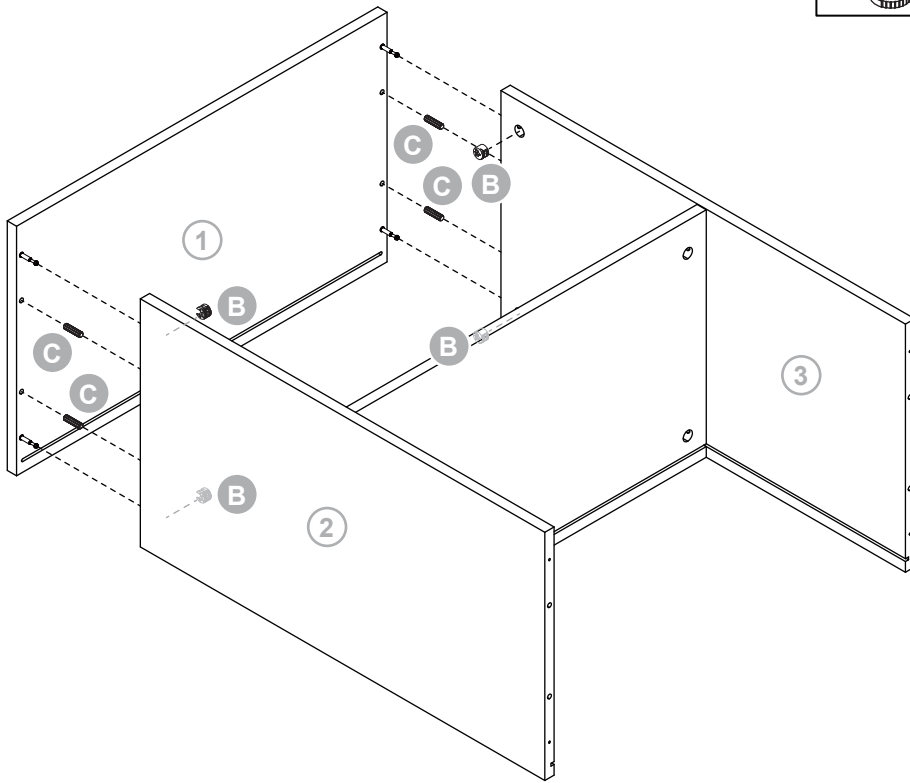
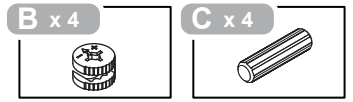
3



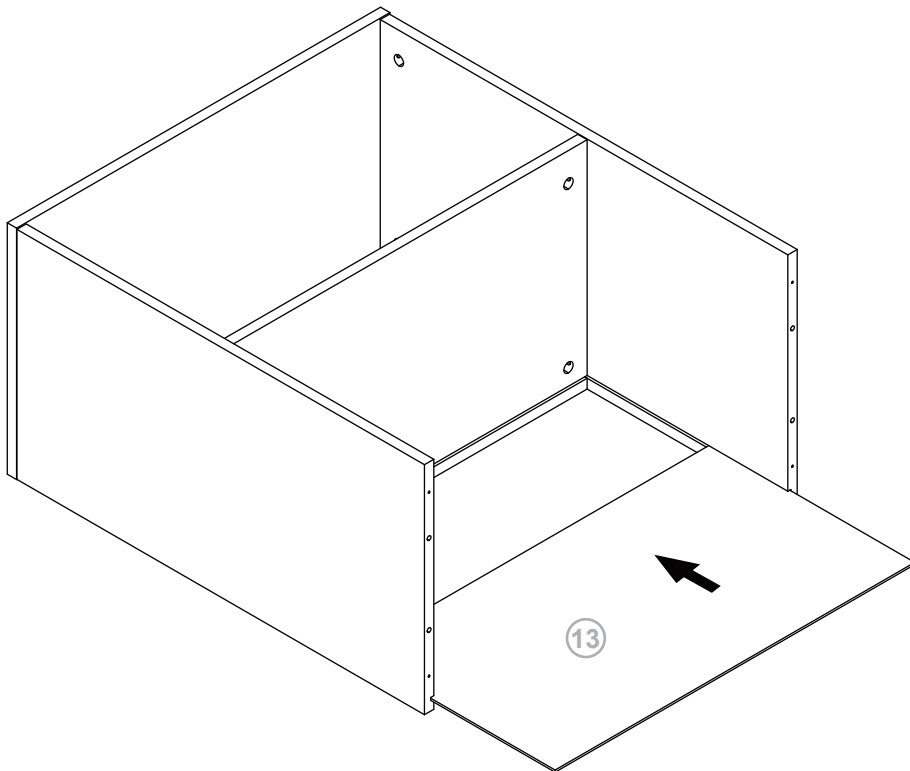
4



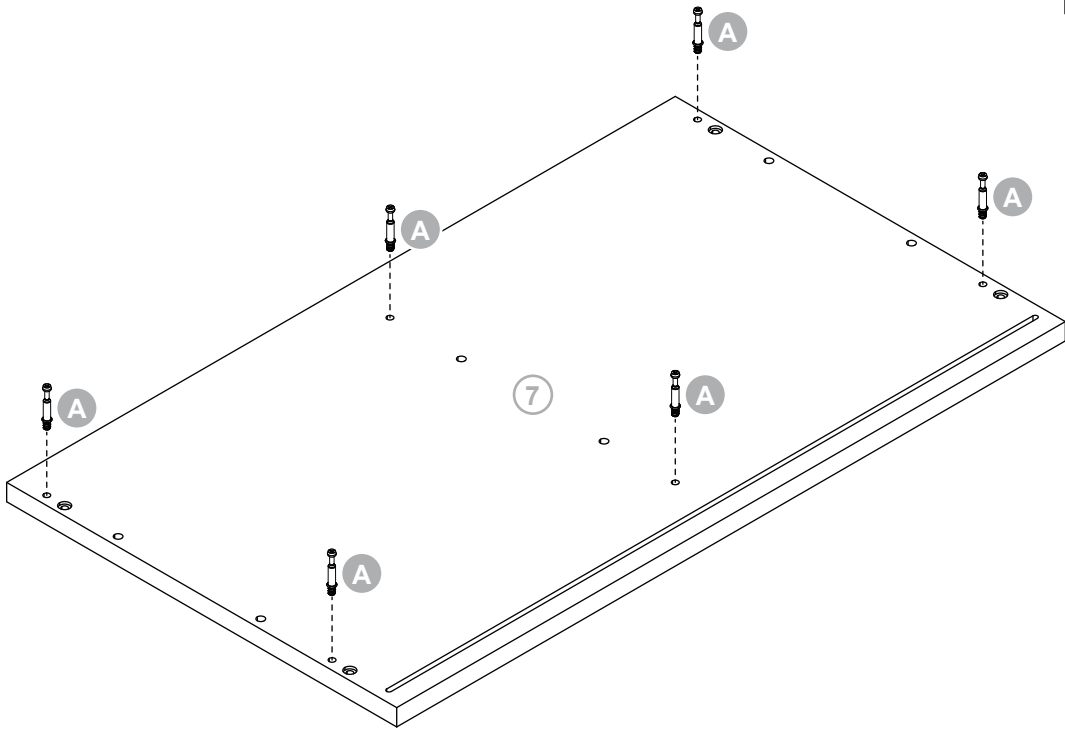
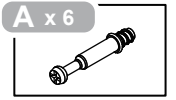
5



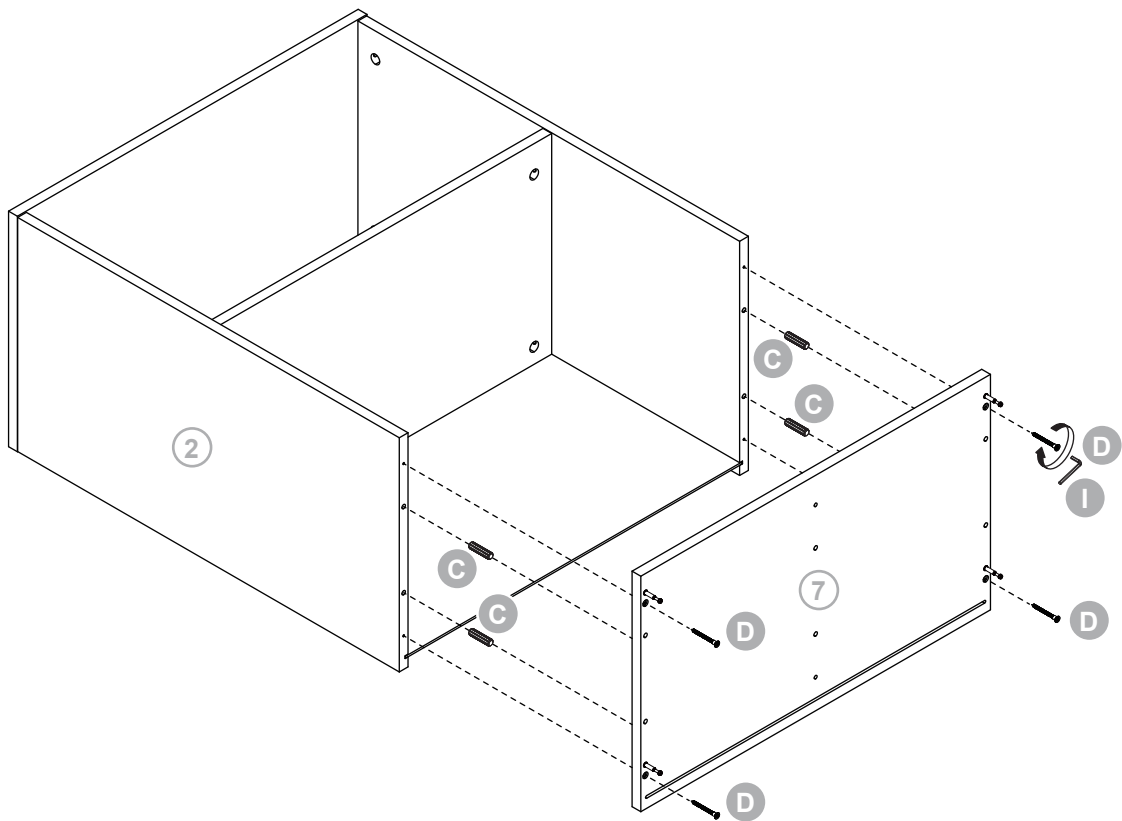
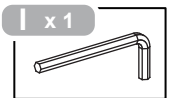
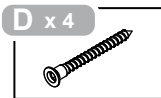
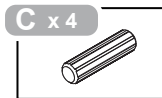
6



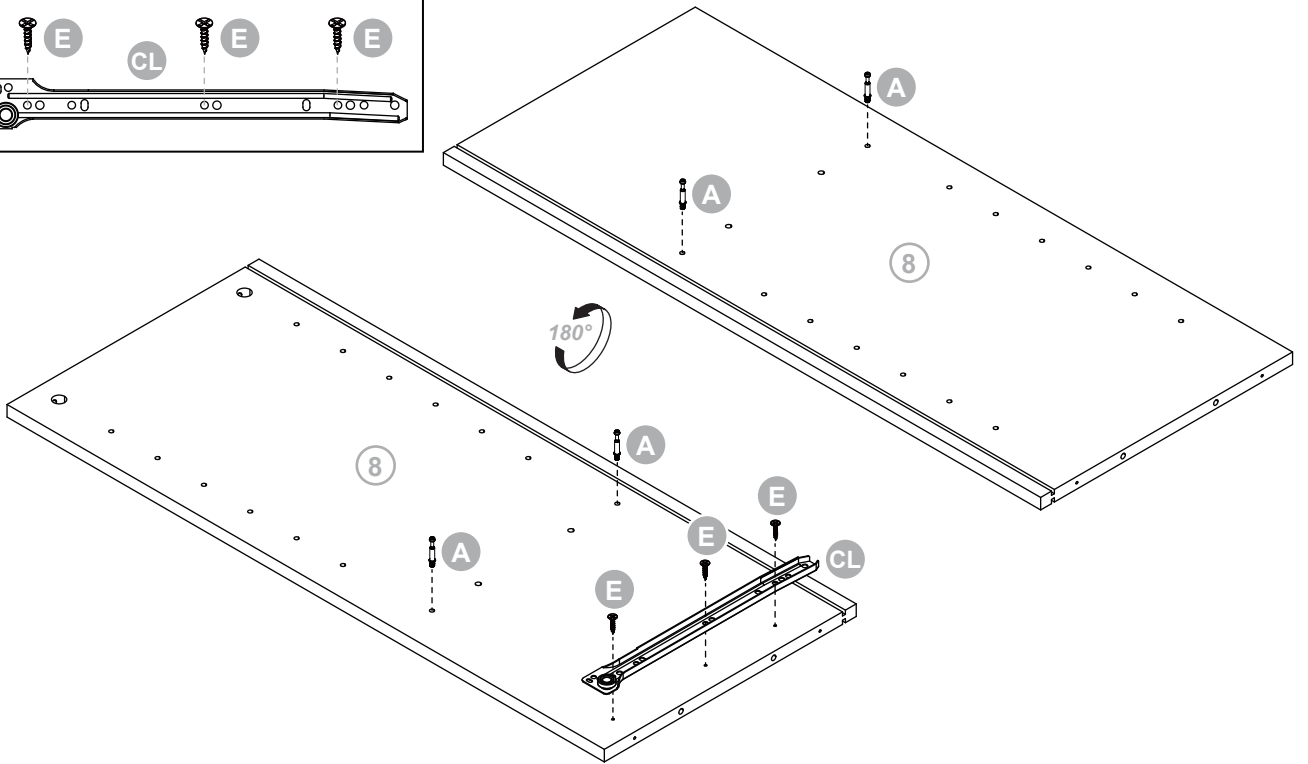
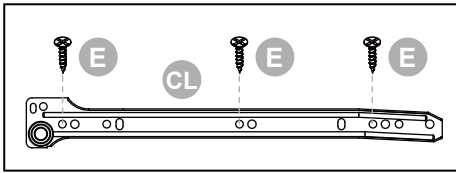
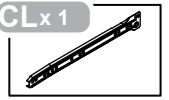
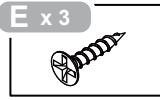
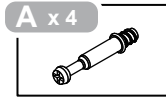
7



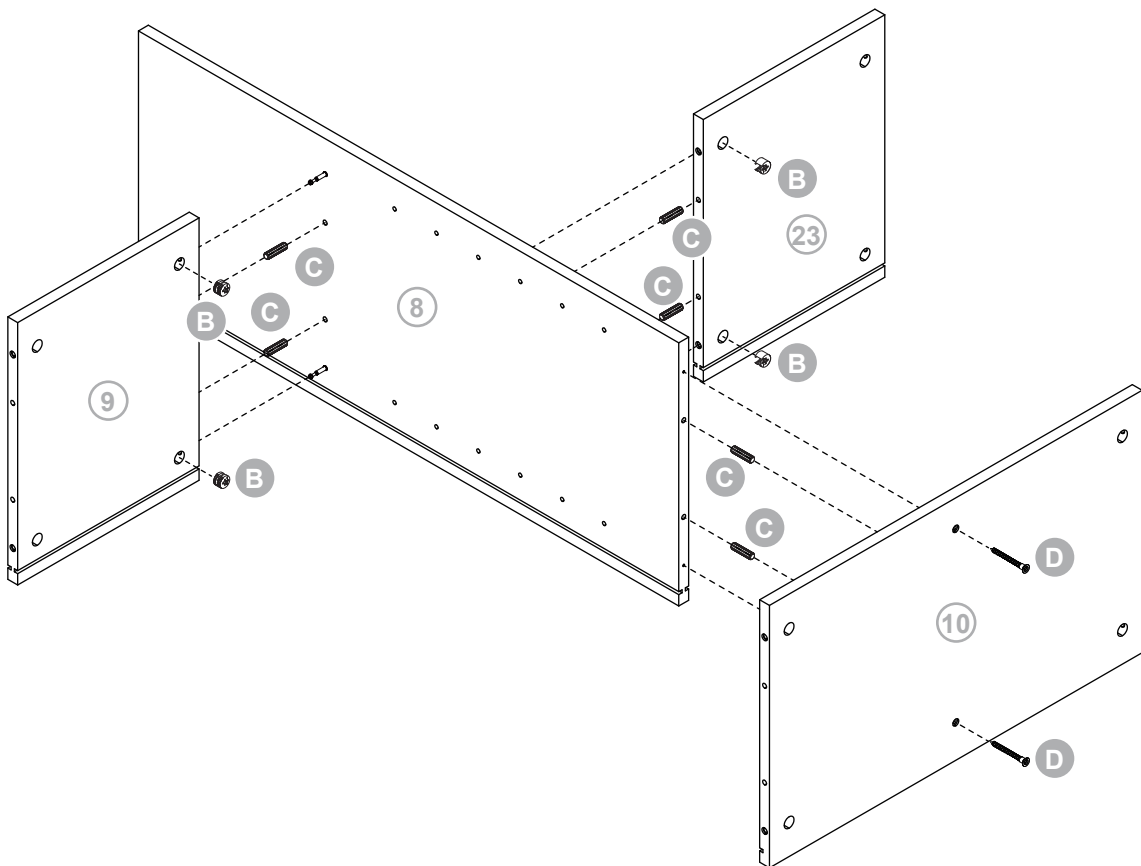
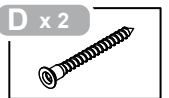
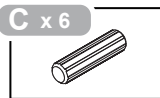
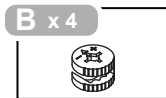
8



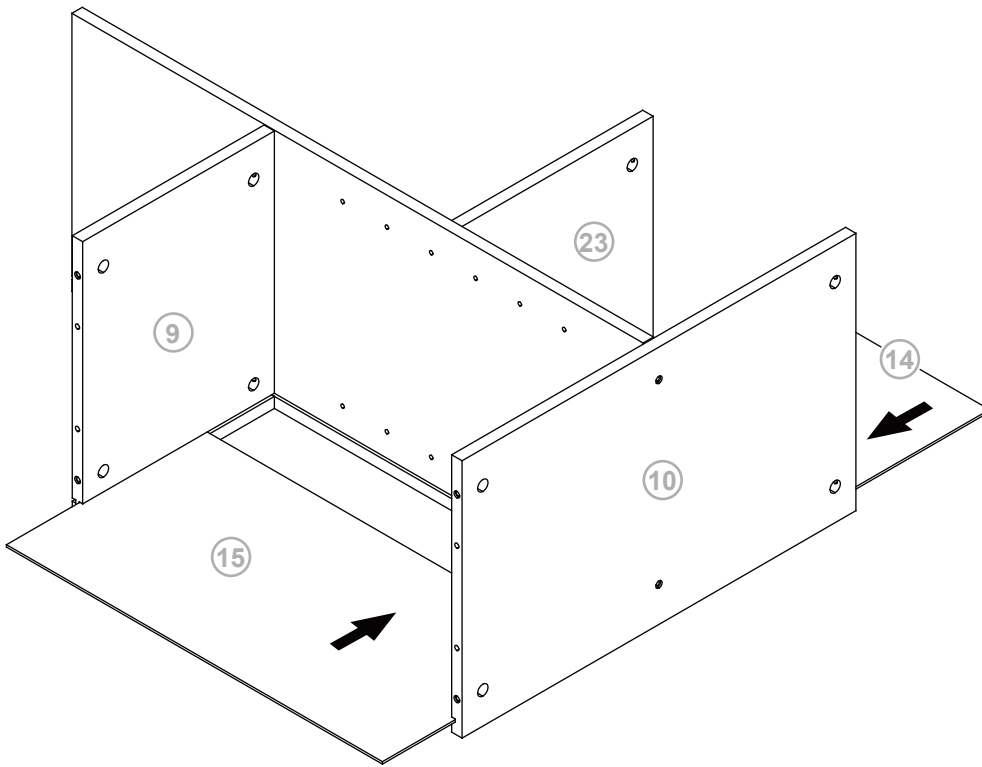
9



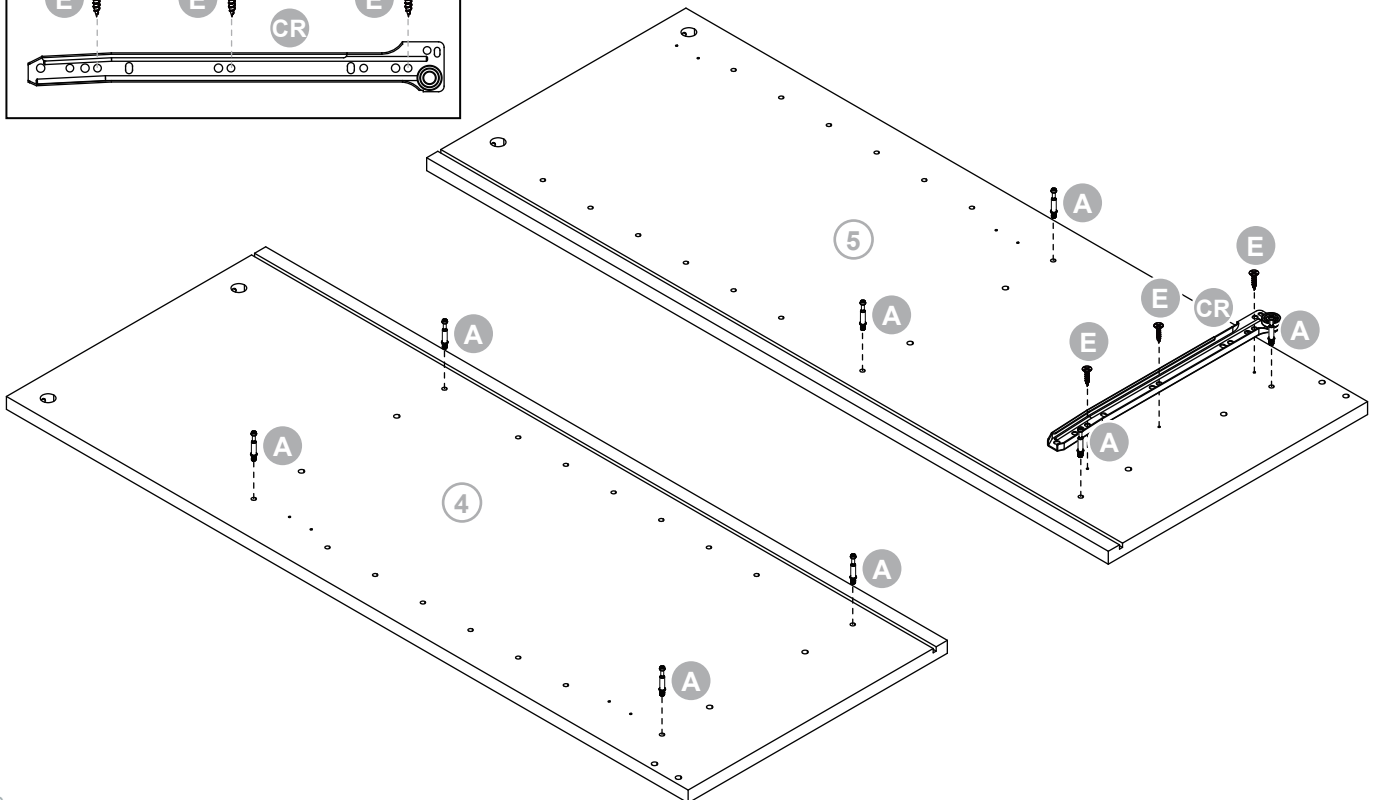
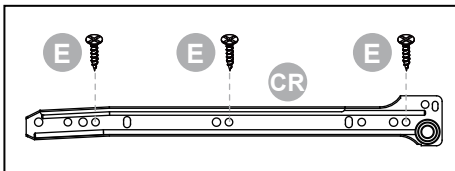
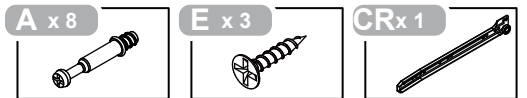
10



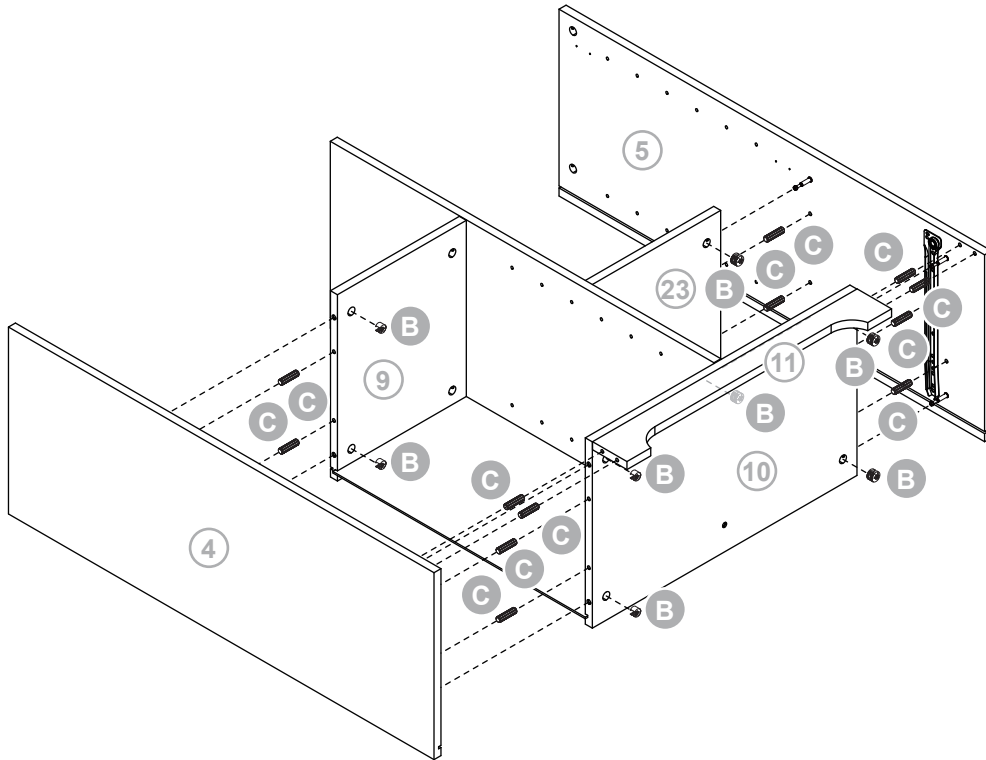
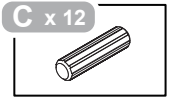
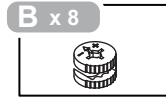
11



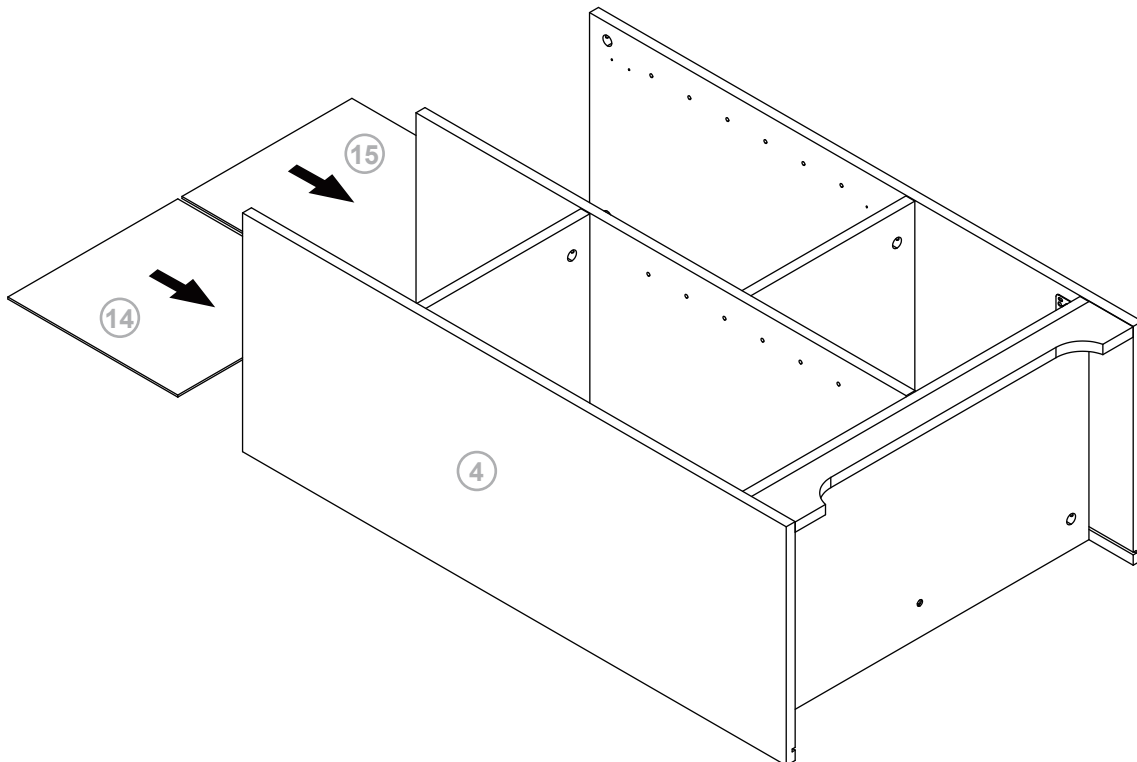
12



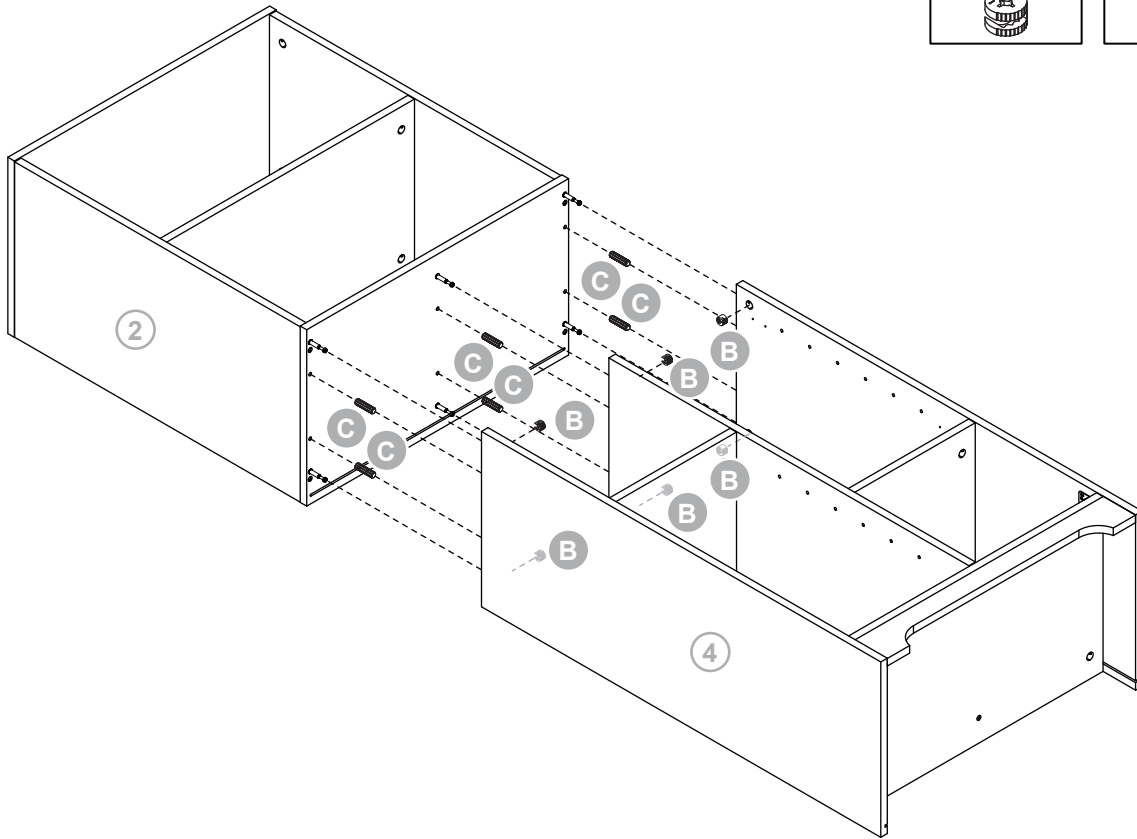
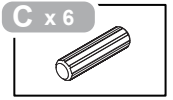
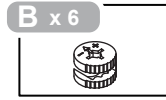
13



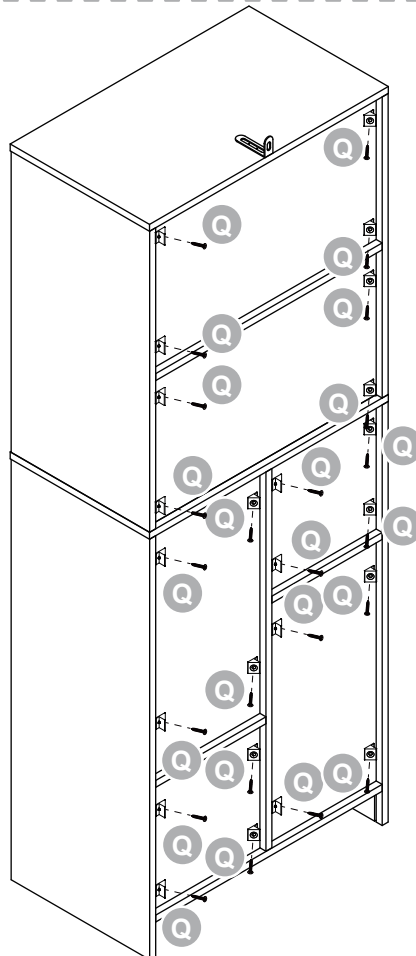
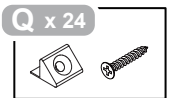
14



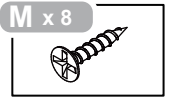
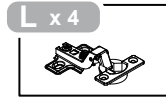
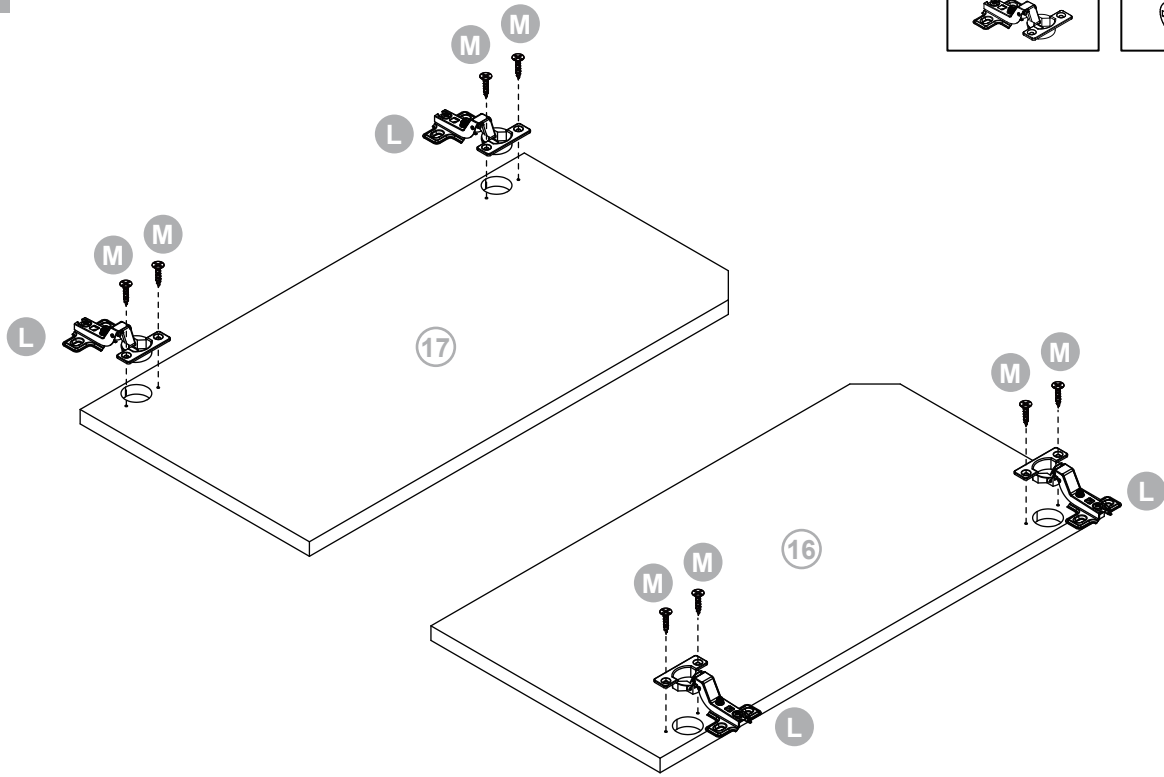
15



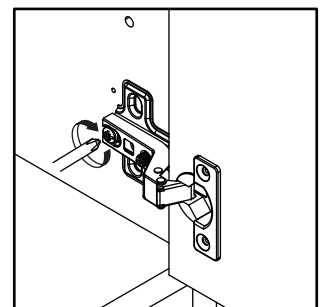
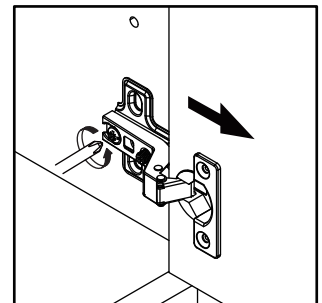
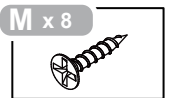
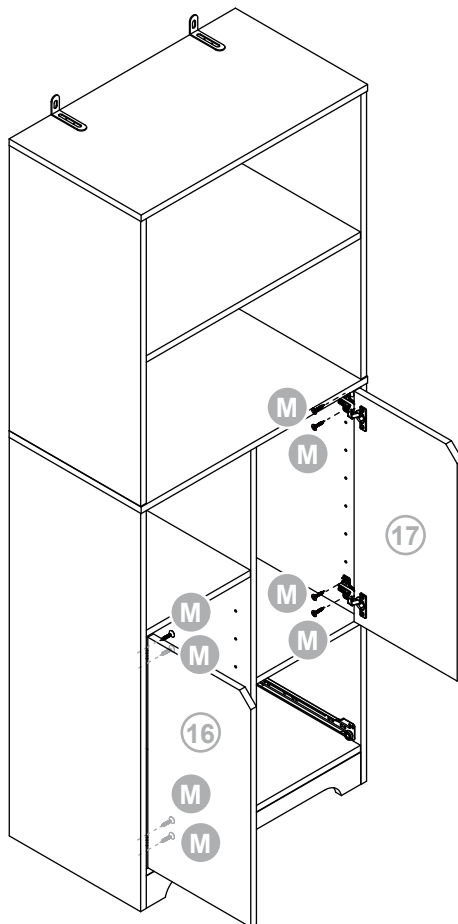
16



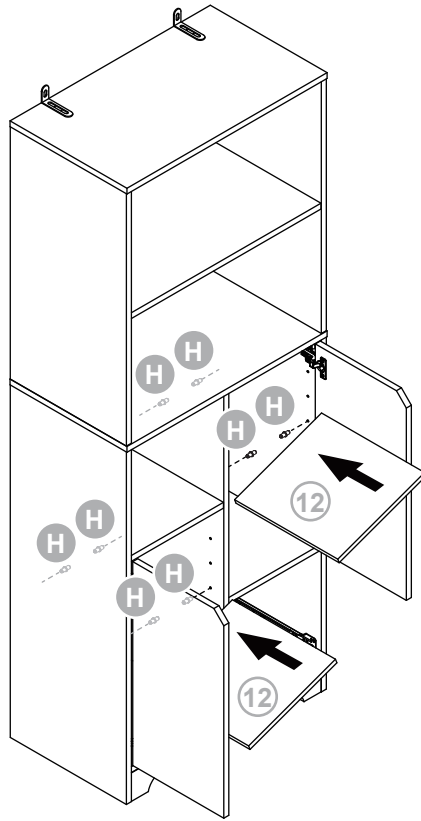
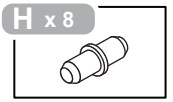
17



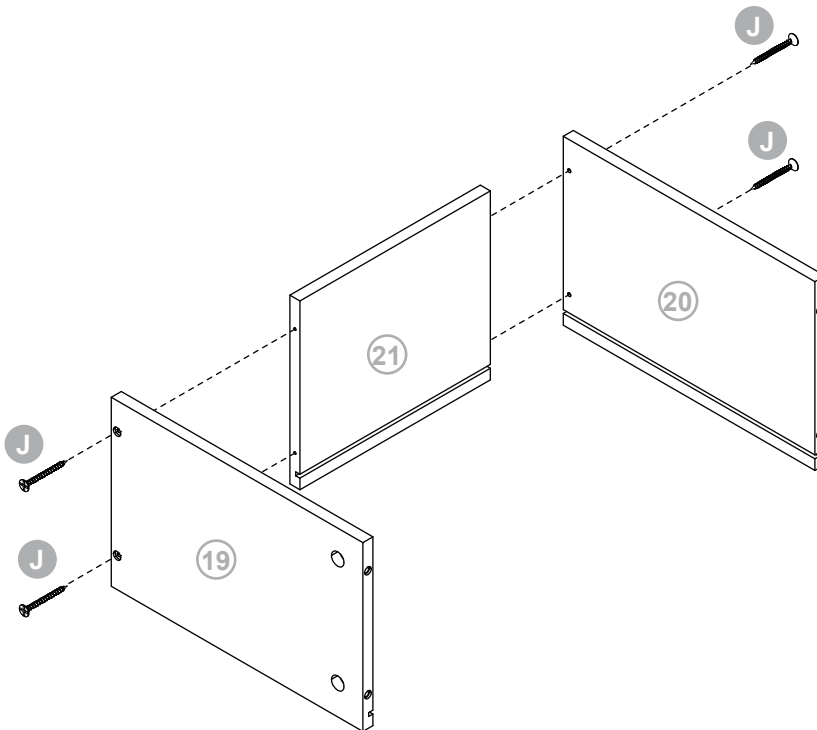
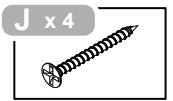
18



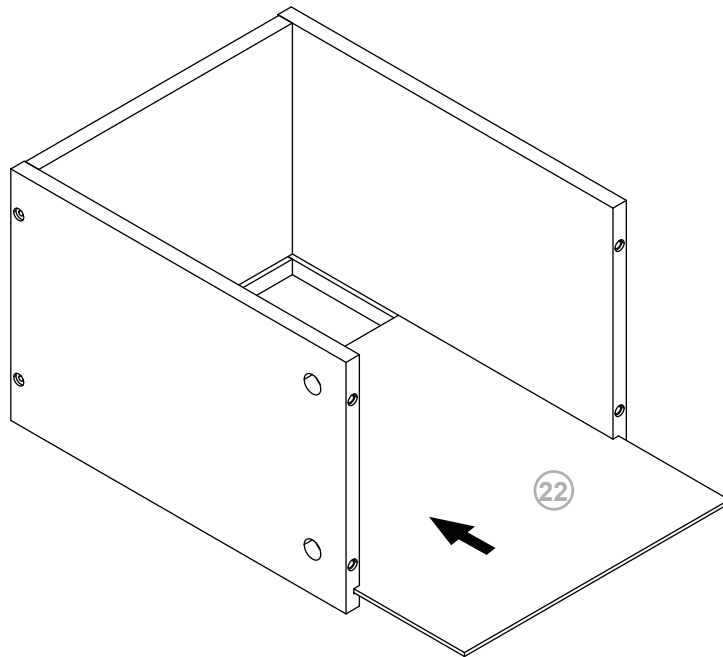
19



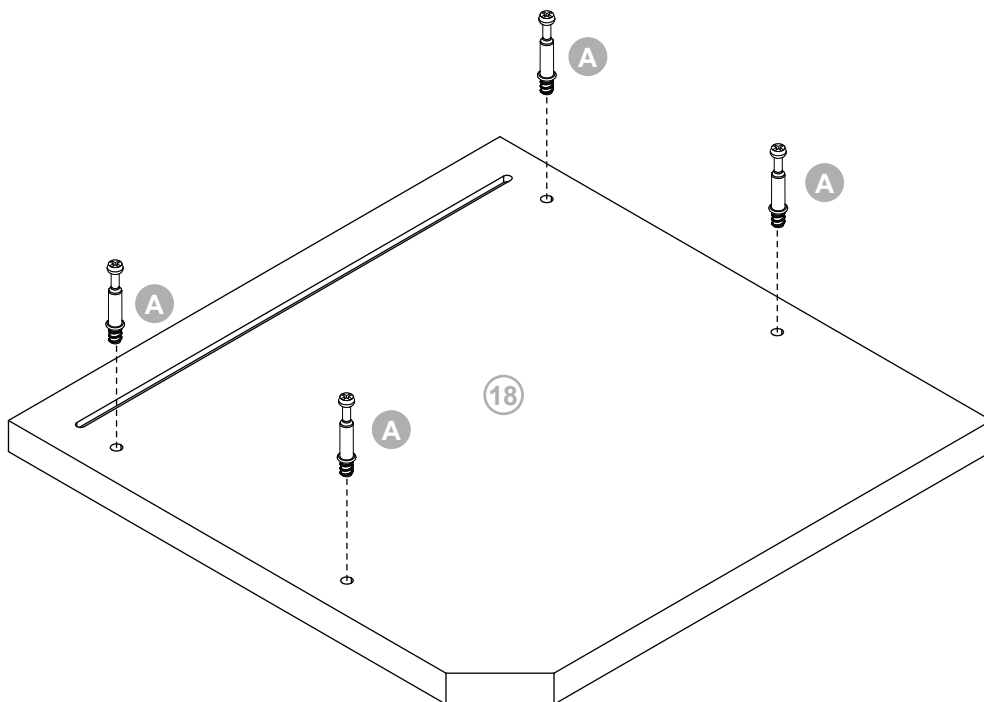
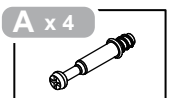
20



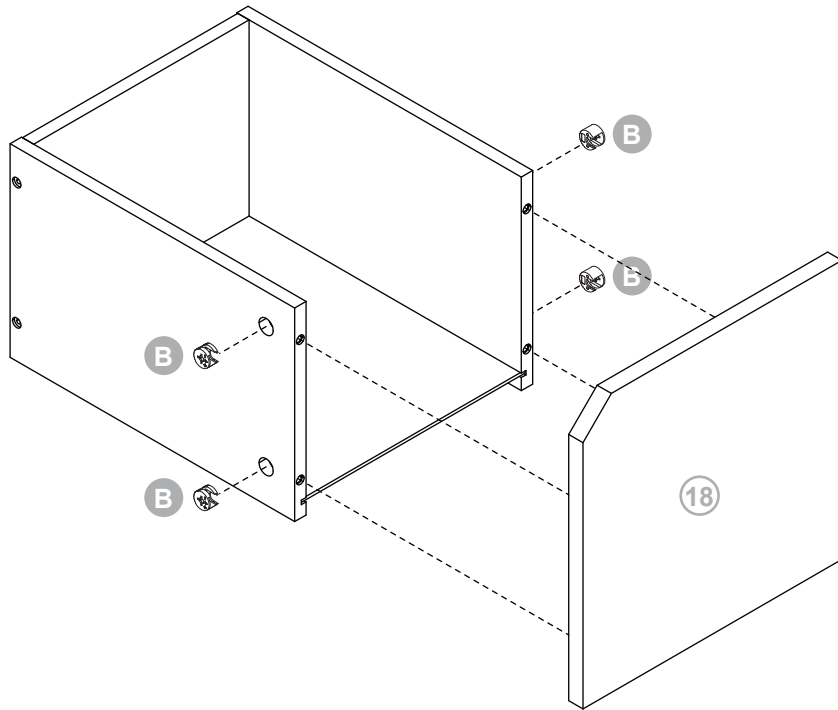
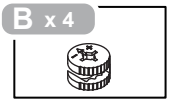
21



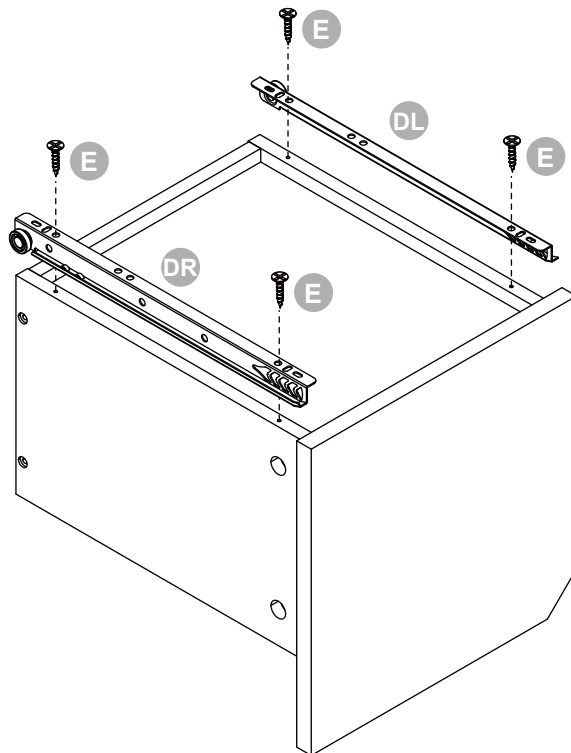
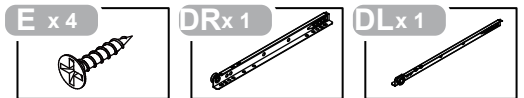
22



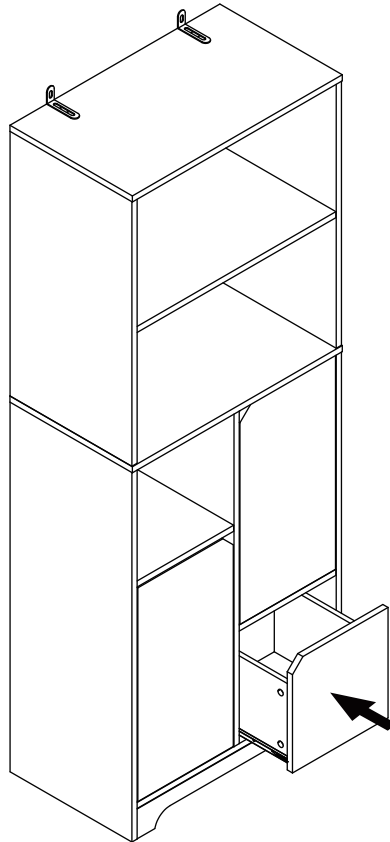
23



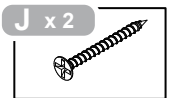
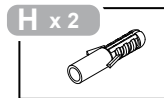
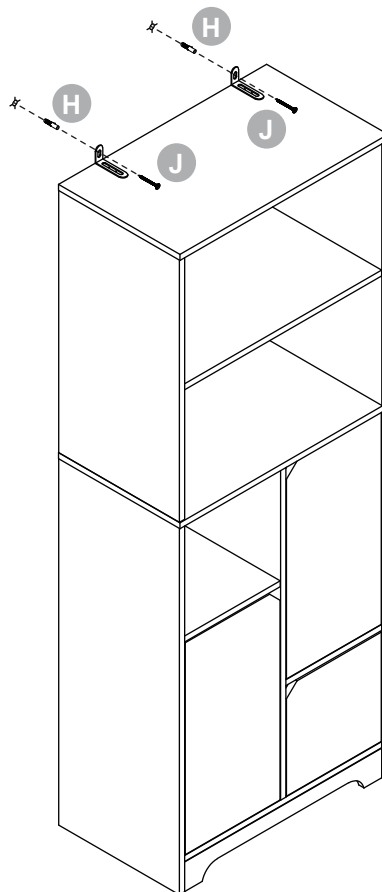
24



25

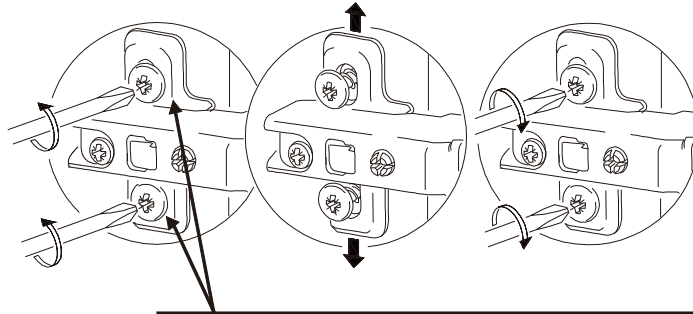
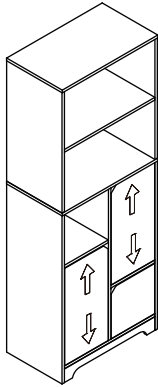


26

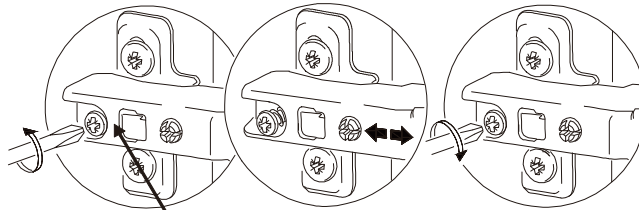
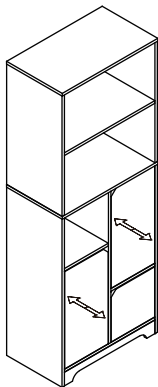


**Customer Attention:**

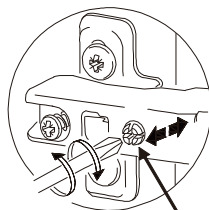
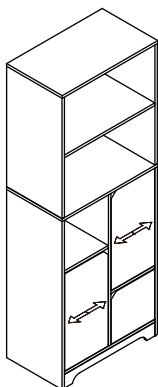
To align doors and control gap in between doors. Product doors may need adjusting during and after assembly. This can be done by adjusting appropriate screws. See below illustration.

**Vertical Door Adjustment:**

Loosen both screws on all hinges and lift the door to the desired height. This allows an even space at the top and bottom between the door and frame.

**Lateral Door Adjustment:**

If door is hinge bound, (rubbing on frame as you close or open door) loosening screw shown and move the door in appropriate direction. (In or out)

**Horizontal Door Adjustment:**

Rotate Screw clockwise or anticlockwise. This will produce an even gap between doors and frame.