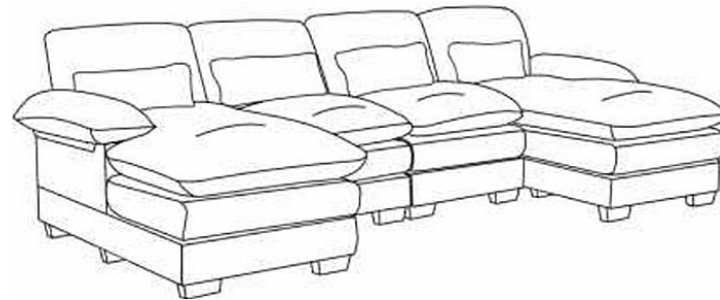


ASSEMBLY INSTRUCTION

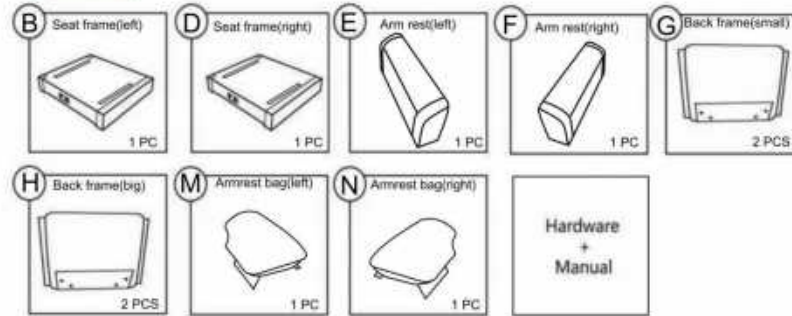
Friendly Reminder:

1. This sofa is packed in 3 boxes. Please assemble it After all boxes are received.
2. As the cushions are all vacuum compressed, there will be some wrinkles. Please give your cushions up to 72 hours to reach its original size and the wrinkles will basically disappear.
3. Please do not open the compressed packages until your sofa frame is completely assembled.

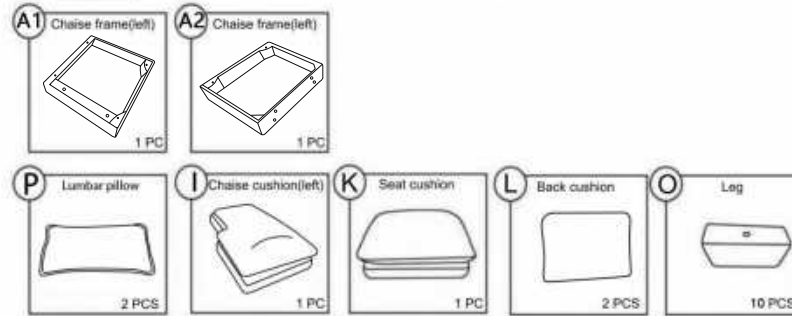


COMPONENTS

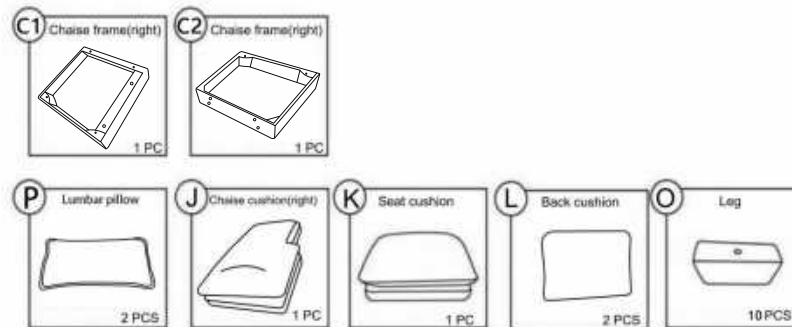
BOX 1



BOX 2

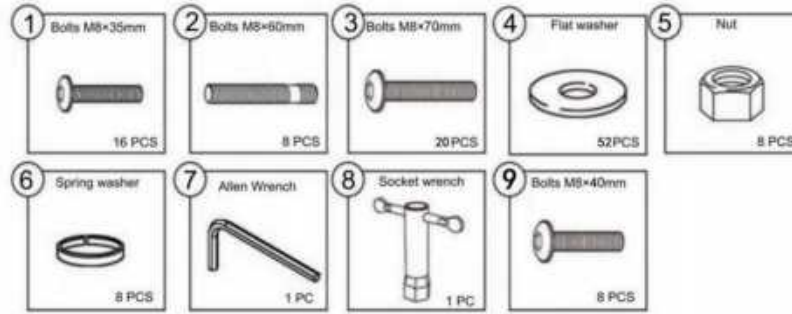


BOX 3



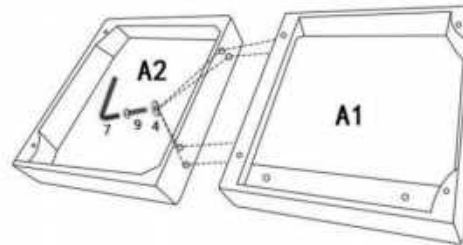
COMPONENTS

Hardware Package



Note: Remove all parts from 3 boxes and make sure all parts are received before assembly

DIAGRAM 1



4		8 PCS
9		8 PCS
7		1 PC

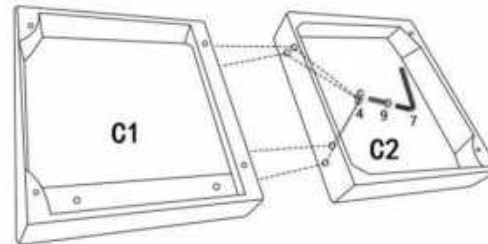


DIAGRAM 2 (Assemble the Armrest(PartsE&F))

Screw the Bolts (Parts 2) into the screw holes on the bottoms of the Armrest(PartsE&F) as shown.

2  8PCS

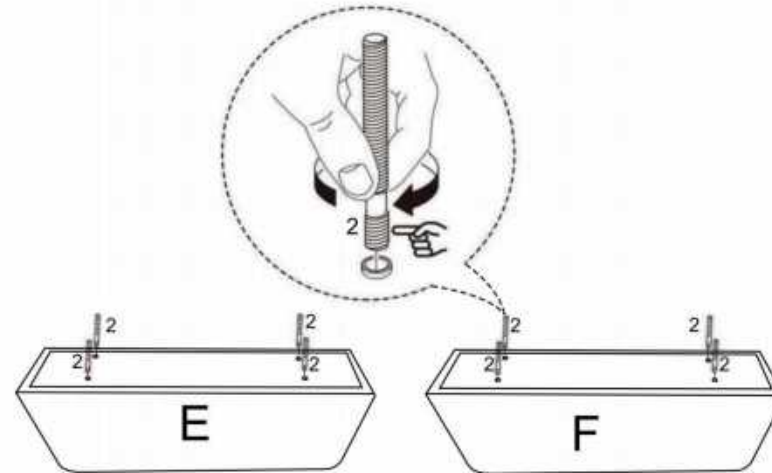






DIAGRAM 3 (Assemble the Armrest(right) to the Chaise frame (right))

Connect the Armrest(right) (Parts F) to the Chaise frame(right) (Parts C) with the Bolts M8X60mm (Parts 2), the Flat washer (Parts 4), the nuts(Parts 5) and the Spring washer(Parts 6) by Socket wrench (Parts 8).

4  4PCS
5  4PCS
6  4PCS
8  1PC

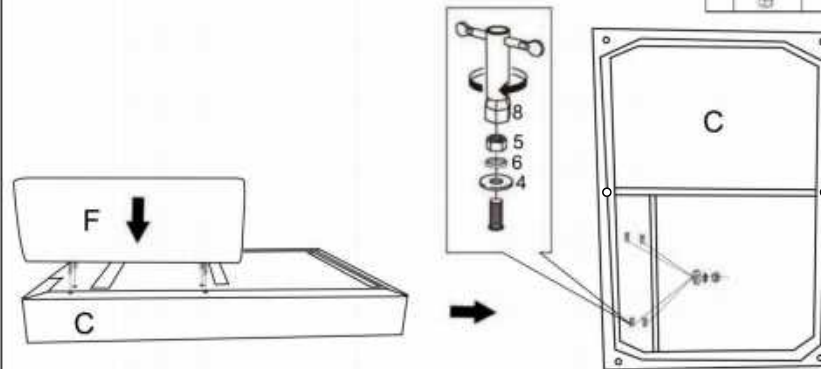






DIAGRAM 4 (Assemble the Armrest(left) to the Chaise frame (left))
 Connect the Armrest(left) (Parts E) to the Chaise frame(left) (Parts A) with the Bolts M8X60mm (Parts 2), the Flat washer (Parts 4), the nuts(Parts 5) and the Spring washer(Parts 6) by Socket wrench (Parts 8).

4		4PCS
5		4PCS
6		4PCS
8		1PC

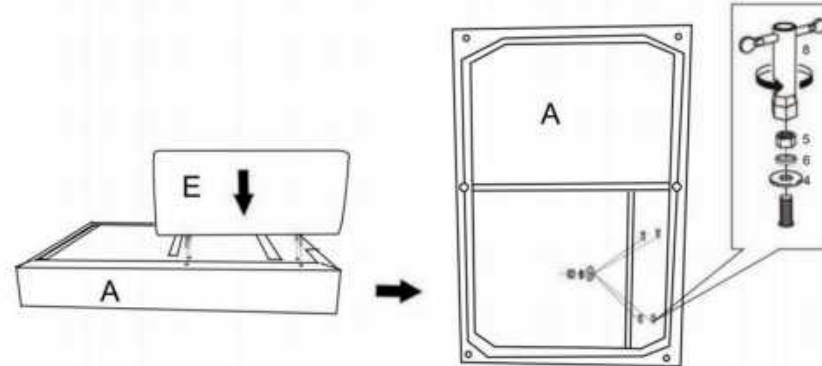


DIAGRAM 5(Assemble the Legs)
 Tighten 4 Legs (Parts O) with Bolts(Parts 3) and Flat washer(Parts 4) as shown.

4		6PCS
3		6PCS
7		1PC
O		6 PCS

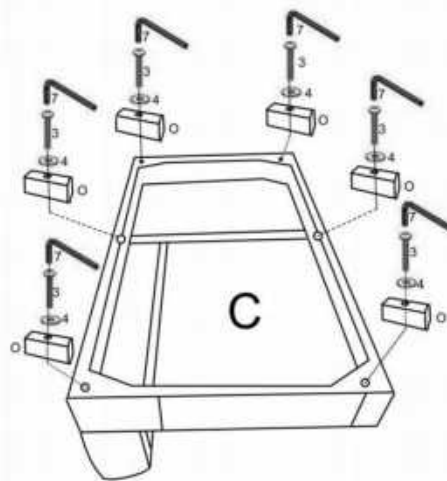


DIAGRAM 6(Assemble the Legs)

Tighten 4 Legs (Parts O) with Bolts(Parts3) and Flat washer(Parts 4)as shown.

4		6PCS
3		6PCS
7		1PC
O		6PCS

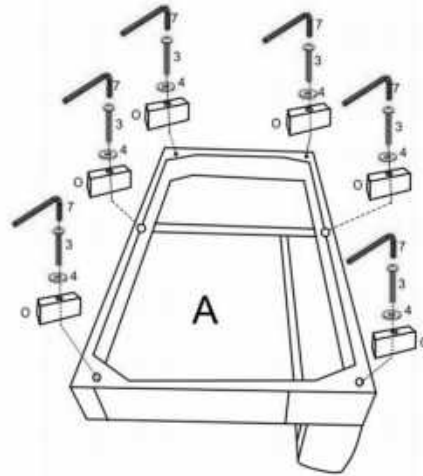


DIAGRAM 7 (Assemble the Legs)

Tighten 8 Legs (Parts O) with Bolts(Parts3) and Flat washer(Parts 4)as shown.

4		8PCS
3		8PCS
7		1PC
O		8PCS

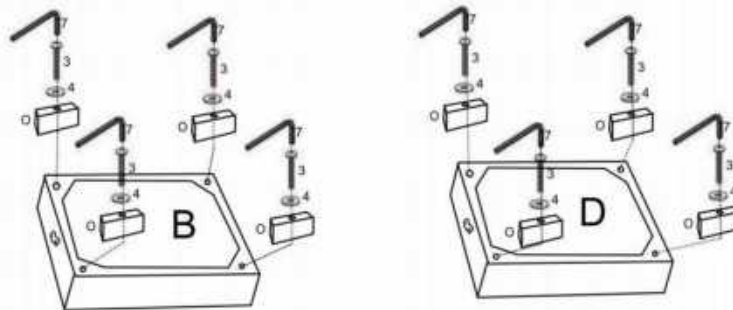


DIAGRAM 8 (Assemble the Back frame)

Connect the Back frame(Parts G) using (4) M8×35mm Bolts (Parts 1) and(4) Flat washer (Parts 4) by Wrench(Parts 7) as shown.Then put Velcro pieces together.

Please install the top Bolts first, then the bottom Bolts.

Make sure all the Bolts are in the holes before tightening all the Bolts.

4		4PCS
1		4PCS
7		1PC

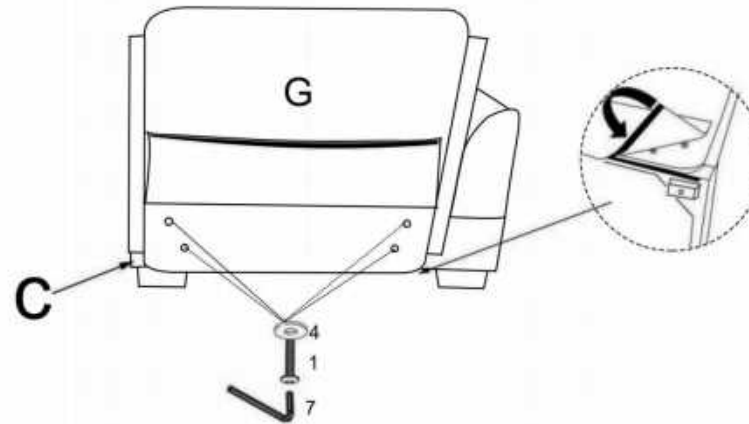


DIAGRAM 9 (Assemble the Back frame)

Connect the Back frame (Parts H) using (4) M8×35mm Bolts (Parts 1) and(4) Flat washer (Parts 4) by Wrench(Parts 7) as shown.Then put Velcro pieces together.

Please install the top Bolts first, then the bottom Bolts.

Make sure all the Bolts are in the holes before tightening all the Bolts.

4		4PCS
1		4PCS
7		1PC

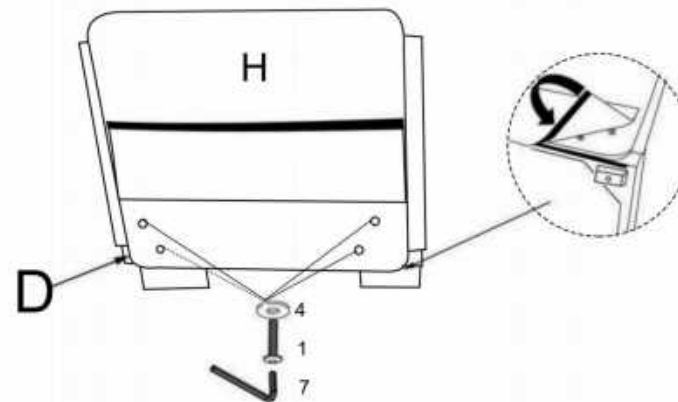


DIAGRAM10 (Assemble the Back frame)

Connect the Back frame (Parts H) using (4) M8×35mm Bolts (Parts 1) and(4) Flat washer (Parts 4) by Wrench(Parts 7) as shown.Then put Velcro pieces together.

Please install the top Bolts first, then the bottom Bolts.

Make sure all the Bolts are in the holes before tightening all the Bolts.

4		4PCS
1		4PCS
7		1PC

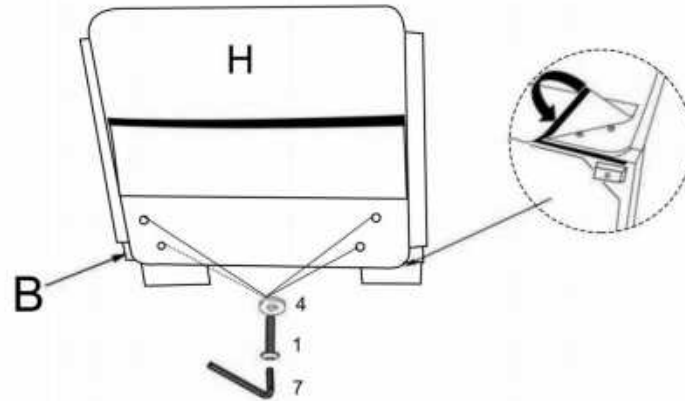


DIAGRAM 11 (Assemble the Back frame)

Connect the Back frame(Parts G) using (4) M8×35mm Bolts (Parts 1) and(4) Flat washer (Parts 4) by Wrench(Parts 7) as shown.Then put Velcro pieces together.

Please install the top Bolts first, then the bottom Bolts.

Make sure all the Bolts are in the holes before tightening all the Bolts.

4		4PCS
1		4PCS
7		1PC

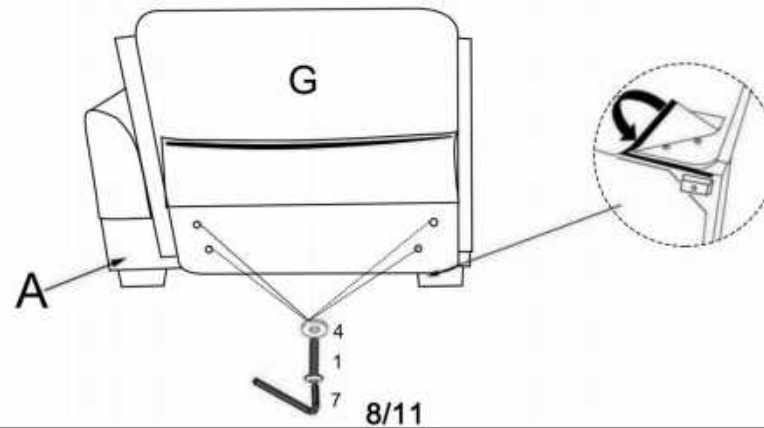


DIAGRAM 12 (Connecting the Seat frame)

Note: If you can't hang into the buckle, please don't be anxious, use a hard object to put into the buckle and force it to open a little bit outward, then it can be installed normally!

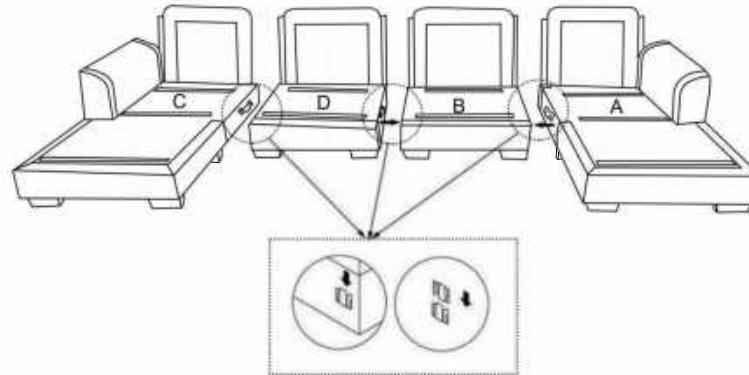
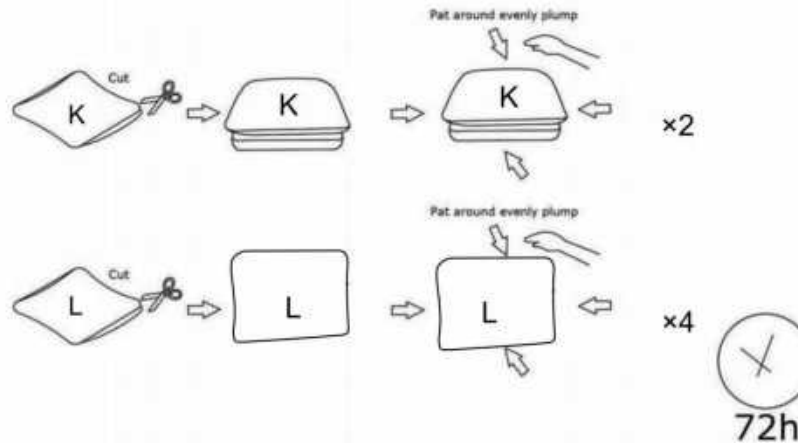


DIAGRAM 13 (Removal of compression bags)

Remove the Seat cushion (Parts K) Back cushion(PartsL).

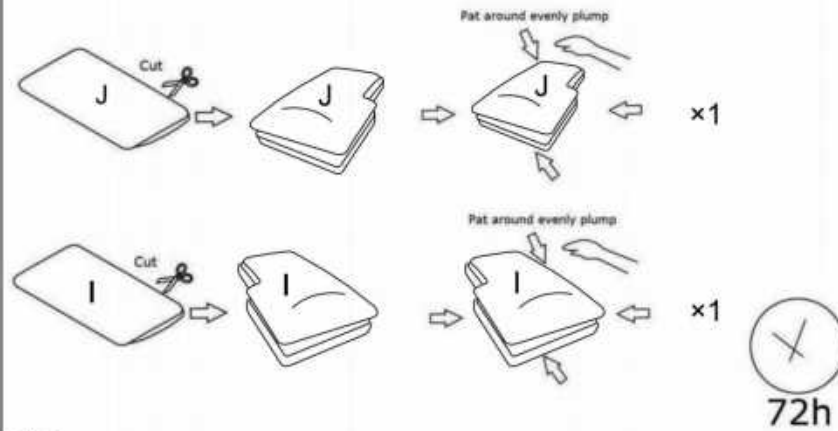


TIPS:

1. Please do not open the compressed packages until your sofa frame is completely assembled.
2. Compressed Seat cushions and Back cushion need to be fully fulfilled within 72 hours for your perfect use.
3. Please keep children away from plastic bags or any small pieces of stuff.

DIAGRAM 14 (Removal of compression bags)

Remove the Chaise cushion (Parts I&J) .



TIPS:

1. Please do not open the compressed packages until your sofa frame is completely assembled.
2. Compressed Chaise cushions need to be fully fulfilled within 72 hours for your perfect use.
3. Please keep children away from plastic bags or any small pieces of stuff.

DIAGRAM 15 (Connecting the Armrest bags)

Insert Armrest bag(left)(Parts M) into the Armrest(left)(Parts E) and Insert Armrest bag(right)(Parts N) into Armrest(right)(Parts F)

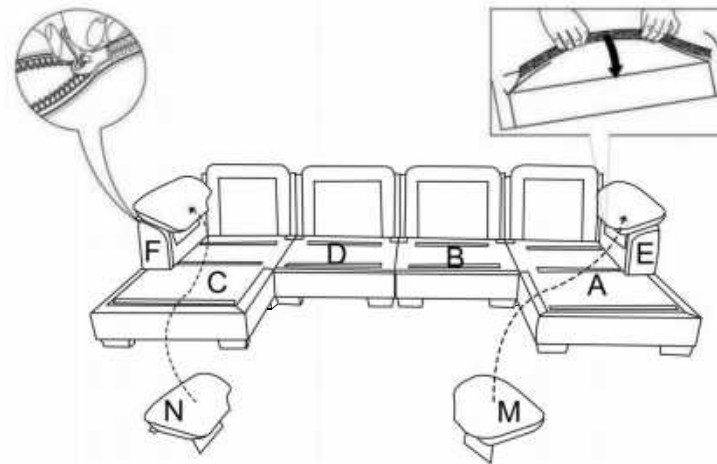
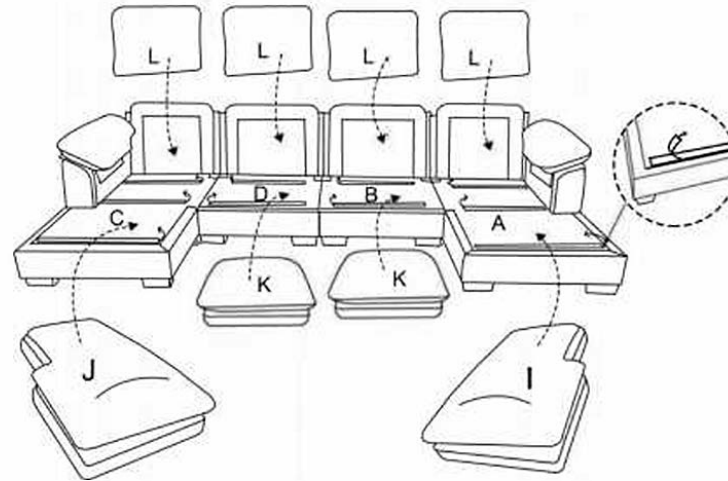


DIAGRAM 16(Place the Chaise cushion ,Seat cushion,Back cushion on the sofa)
Tear off the Velcro protective cloth,the put the Seat cushion (Parts K) the Chaise cushion (PartsJ&I) the Back cushion(PartsL) on the sofa.Recheck all the bolts before you sit on the sofa.



TIPS:

1. Please do not open the compress packaging until your sofa frame is completely assembled.
2. Compress Back cushions and Seat cushions need to be fully fulfilled within 72 hours for your perfect use.
3. Please keep children away from plastic bags or any small pieces of stuff.

