




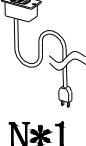



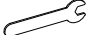
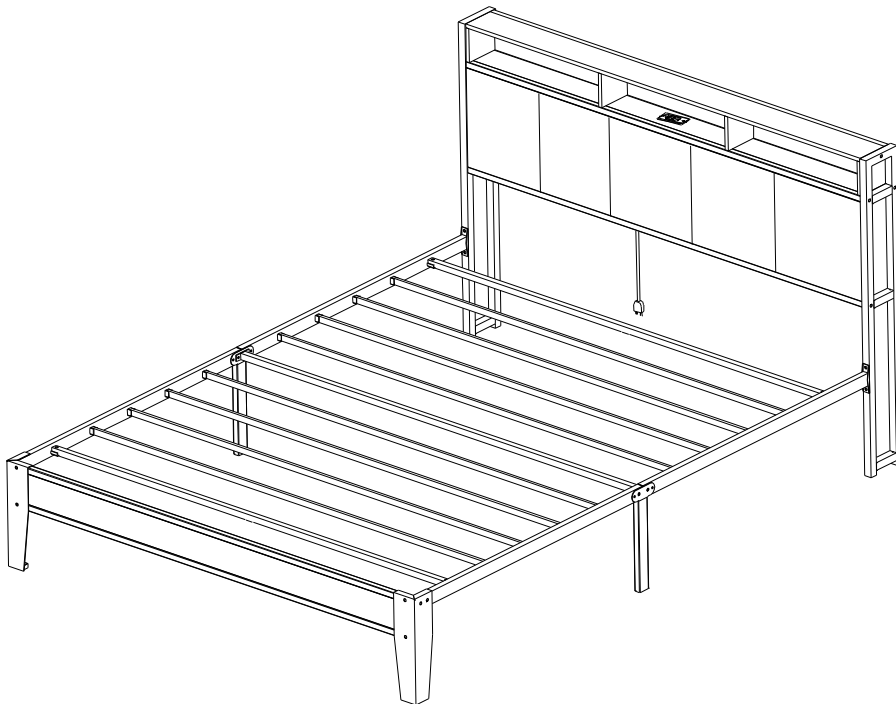


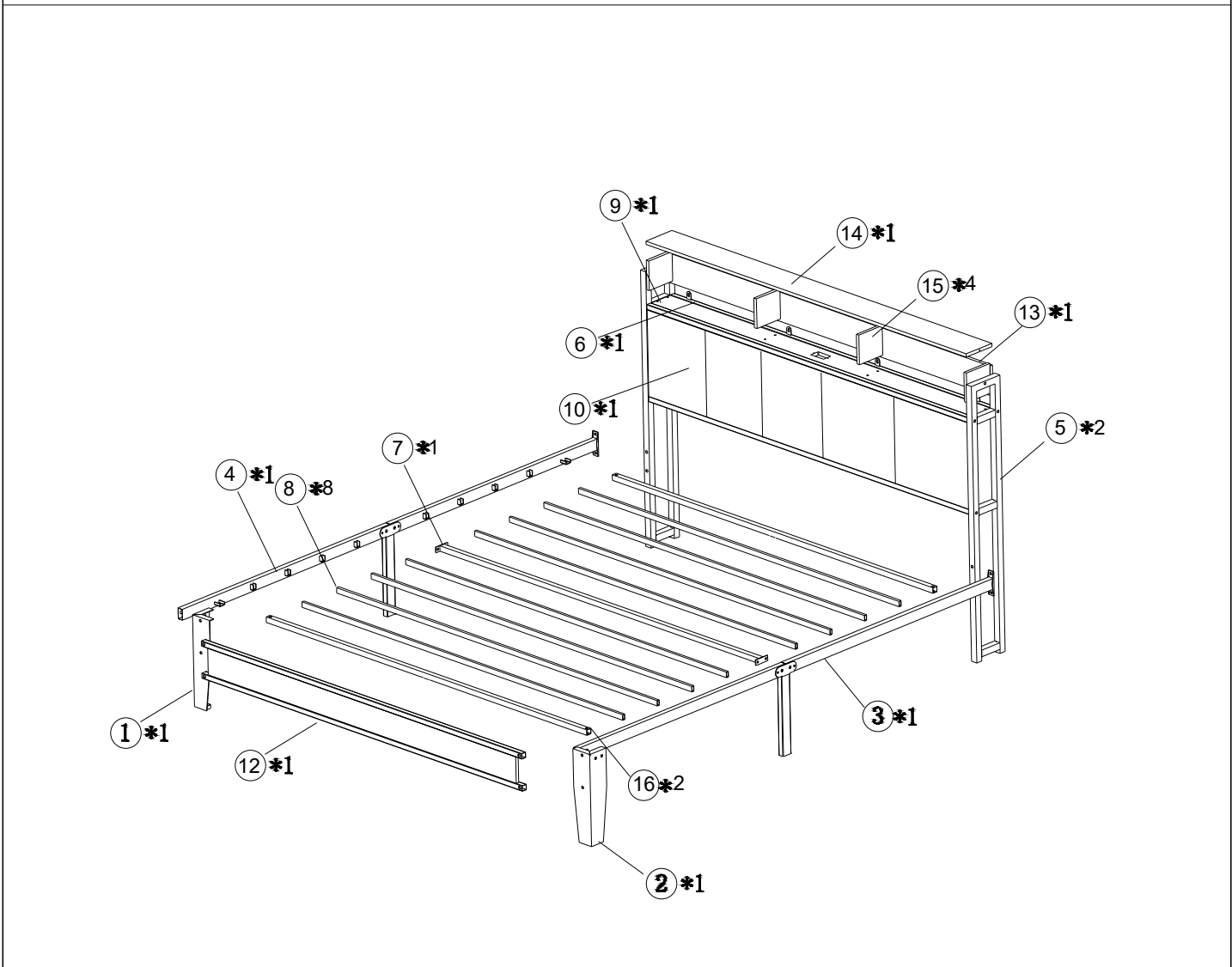
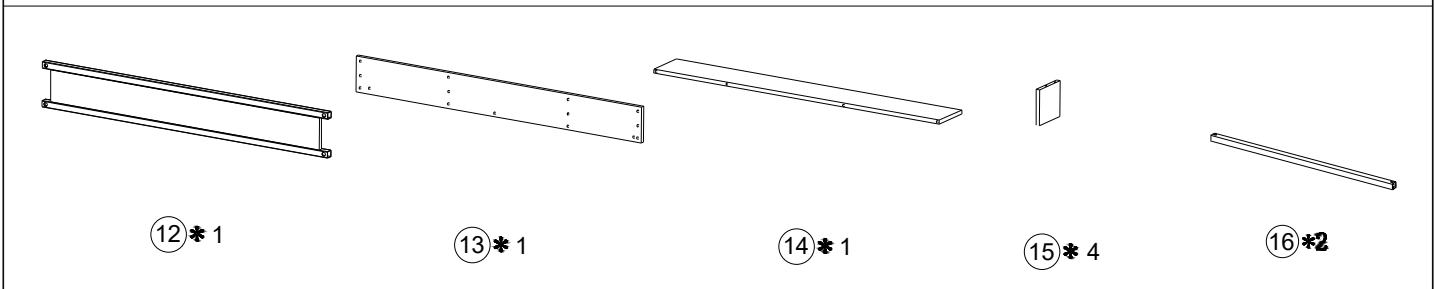
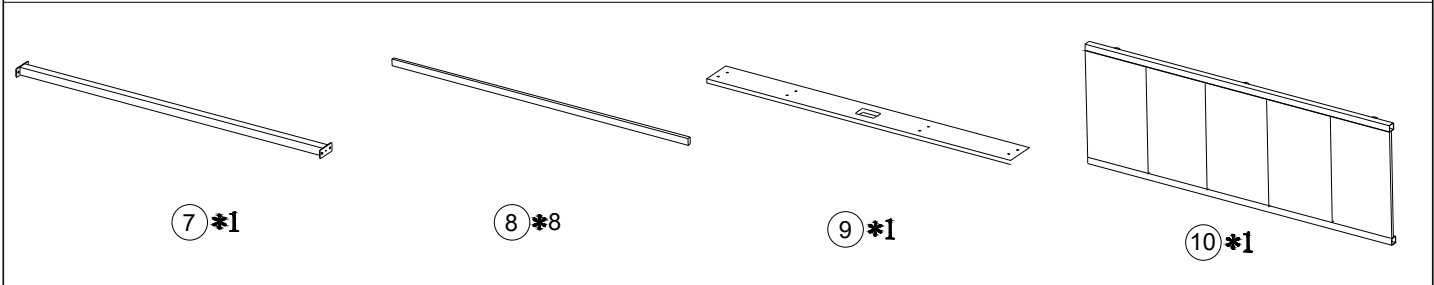
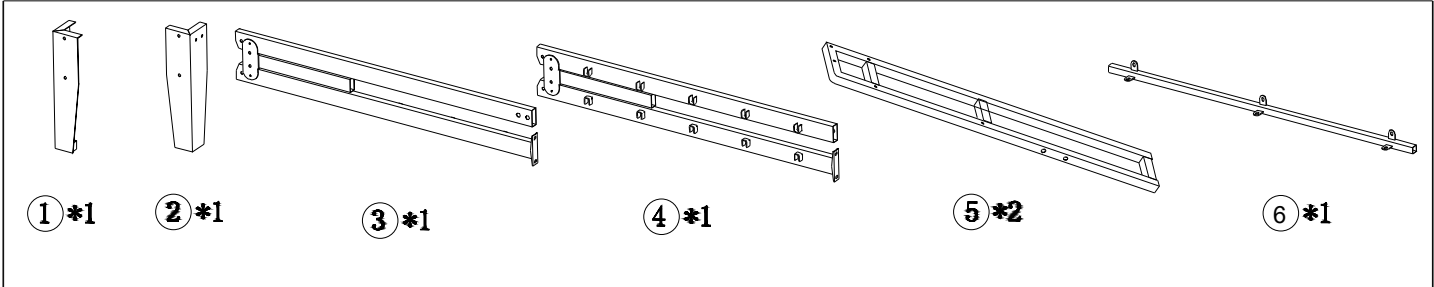
# Platform Bed Set-up Instruction

 <b>A*18</b> <b>M8*40</b>	 <b>B*9</b> <b>M6*10</b>	 <b>C*22</b> <b>Ø5X40L</b>	 <b>D*2</b> <b>Φ 3*10</b>	 <b>E*8</b> <b>M8*20</b>	 <b>N*1</b>	 <b>3#</b>
 <b>4#</b>	 <b>M*4</b> <b>M8</b>	 <b>*1</b>				

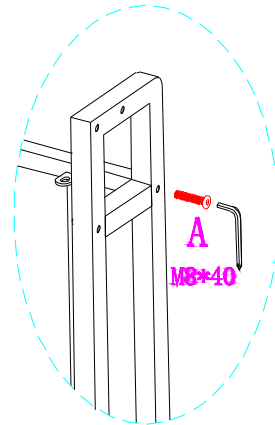
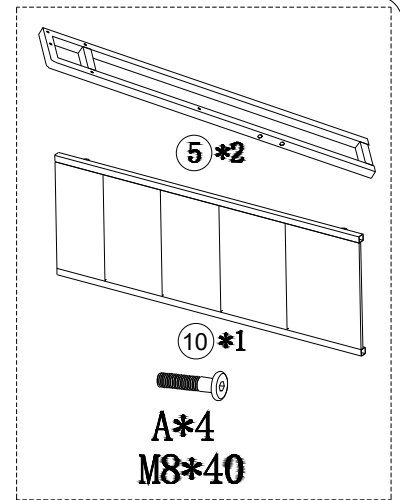
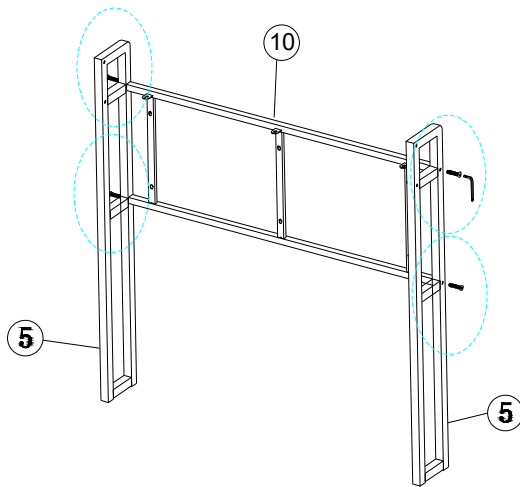


**Size:BG06-T/X**

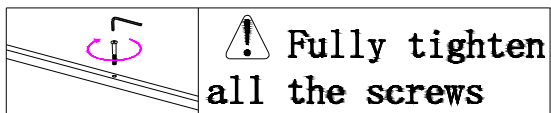
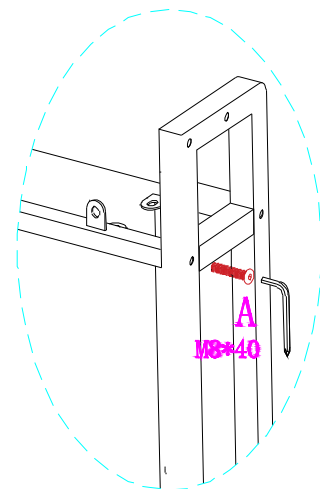
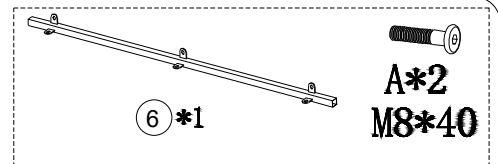
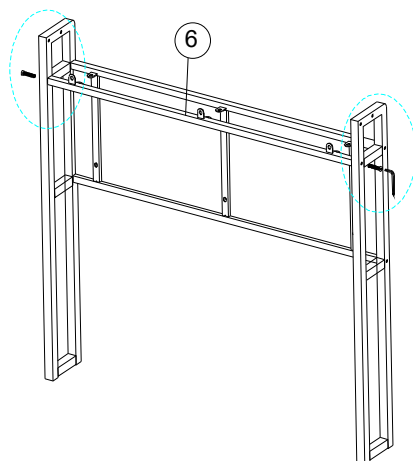
If you have any questions about the product, please don't hesitate to contact us.  
You can reach us through your order. Thanks for your support!



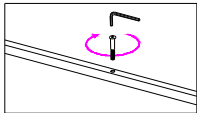
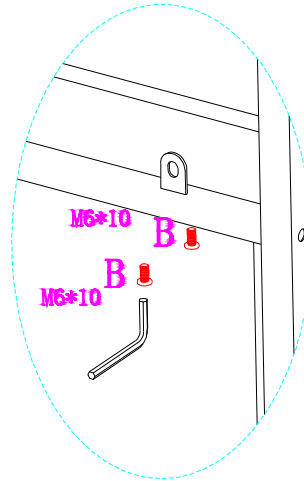
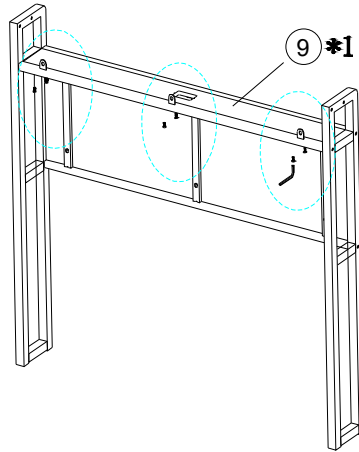
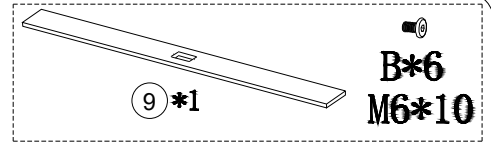
## Step1




## Step2

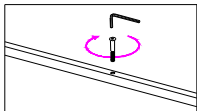
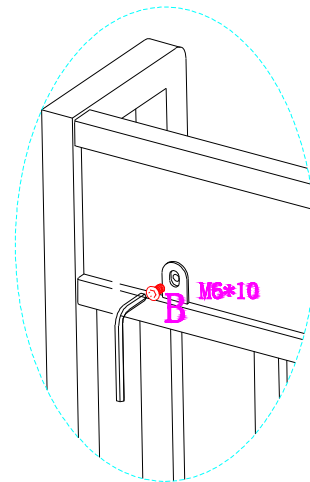
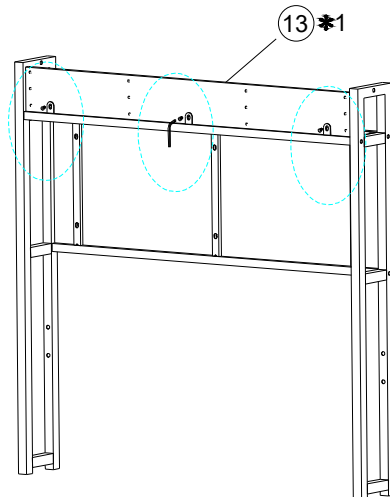
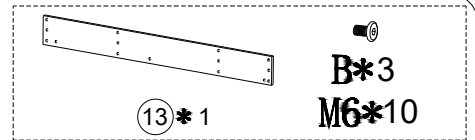



### Step3



 Do not fully tighten the screws yet.

### Step4

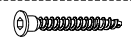


 Do not fully tighten the screws yet.

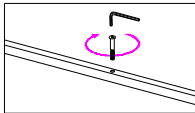
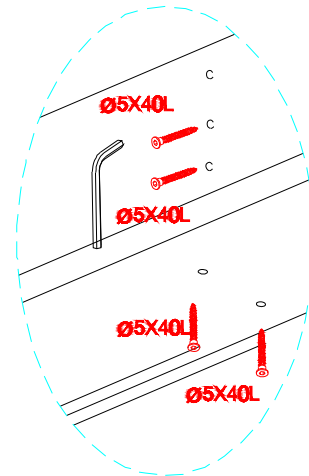
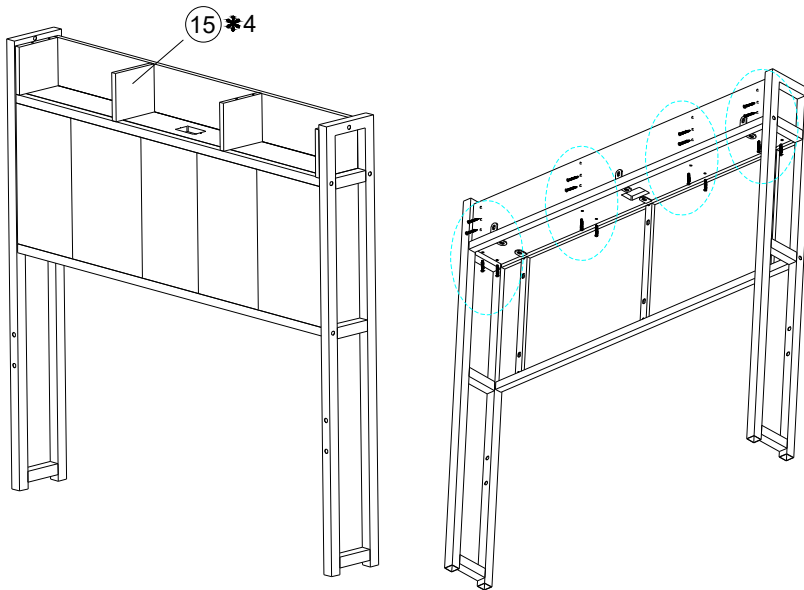
## Step5




15\*4



C\*16  
Ø5X40L

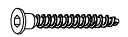


 Do not fully tighten the screws yet.

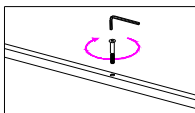
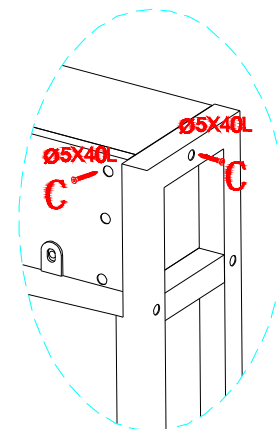
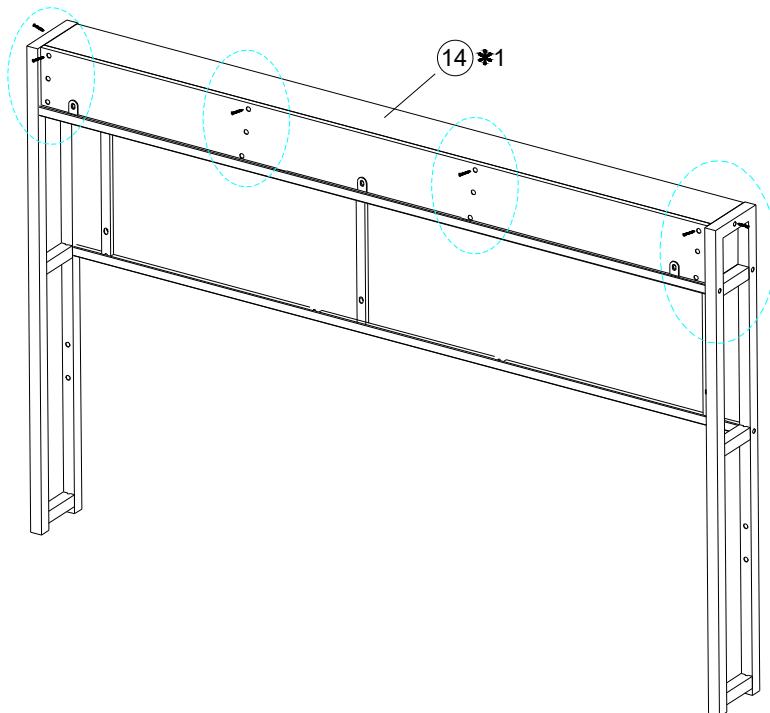
## Step6




14\*1

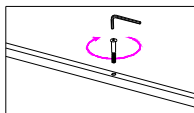
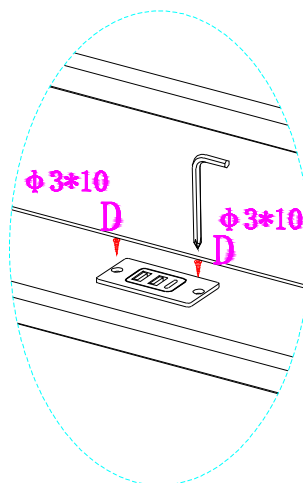
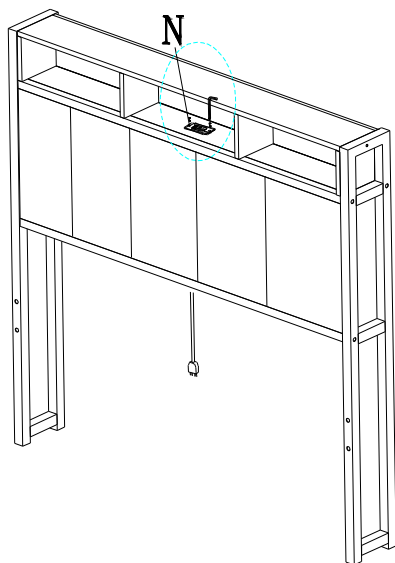
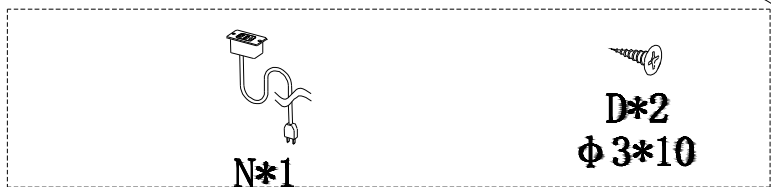


C\*6  
Ø5X40L



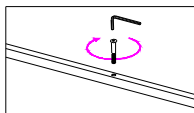
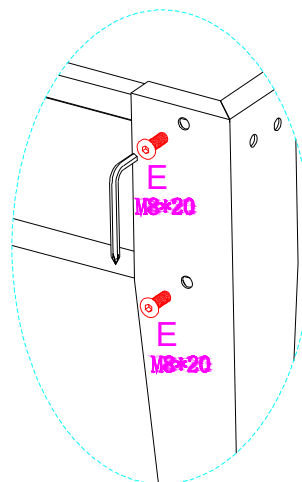
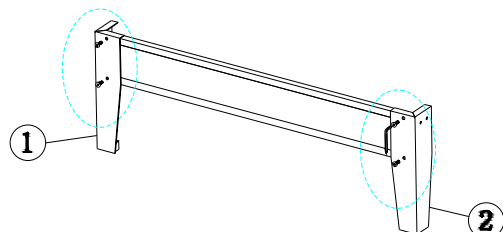
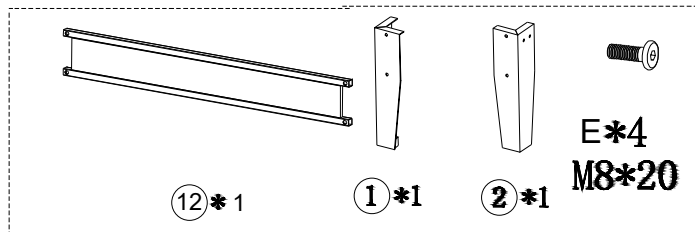
 Do not fully tighten the screws yet.

# Step7



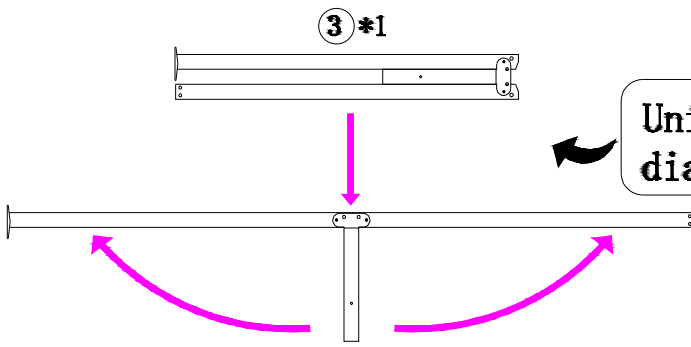
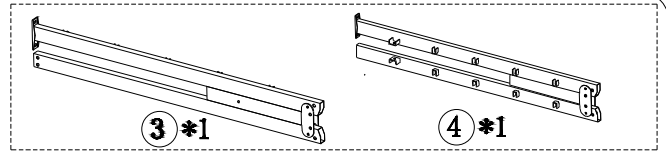
**Do not fully tighten the screws yet.**

# Step8

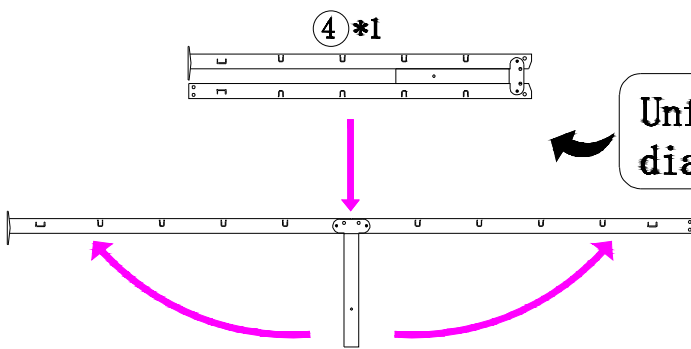


**Do not fully tighten the screws yet.**

## Step9

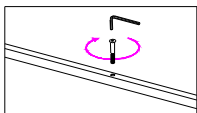
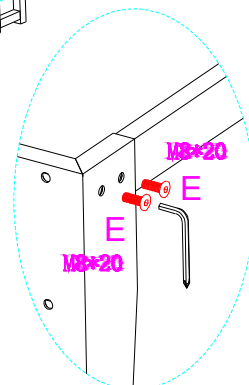
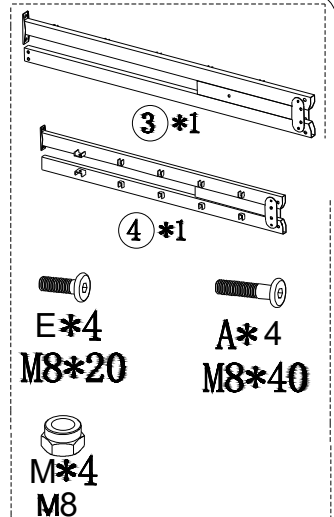
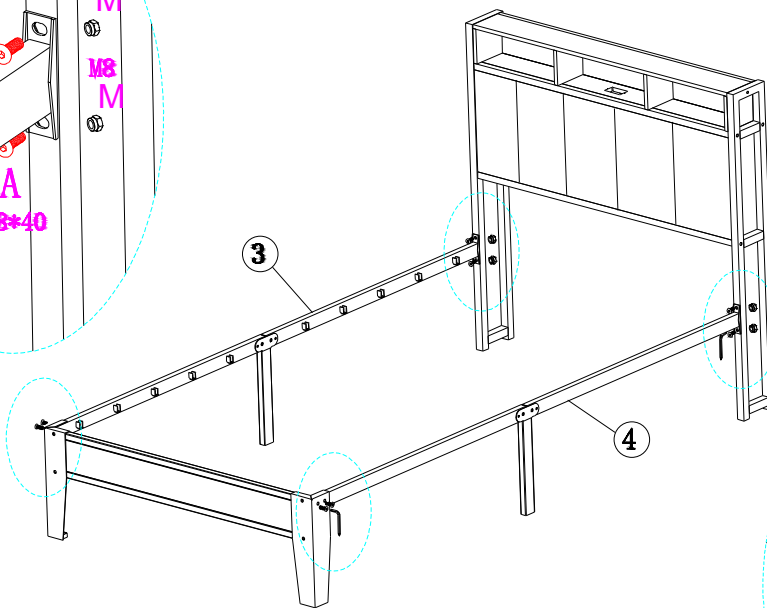
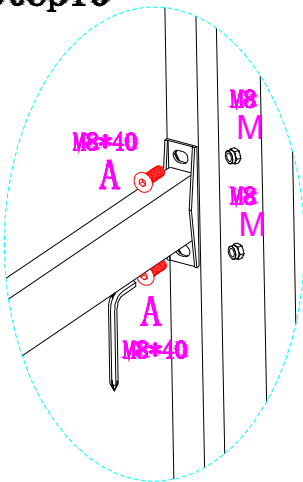


Unfold Part 3 as shown in the diagram.



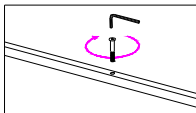
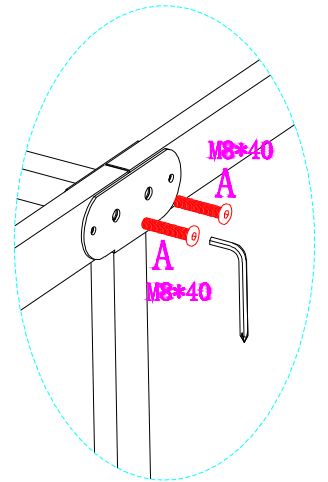
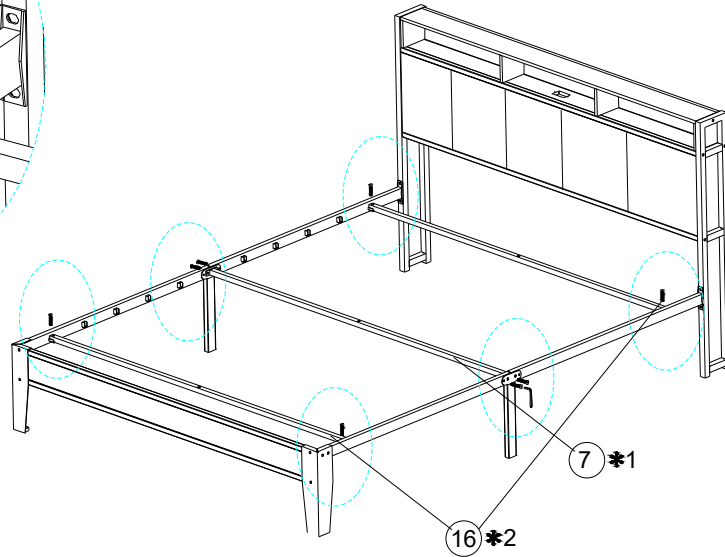
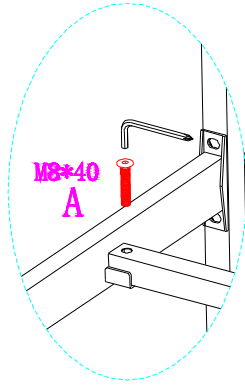
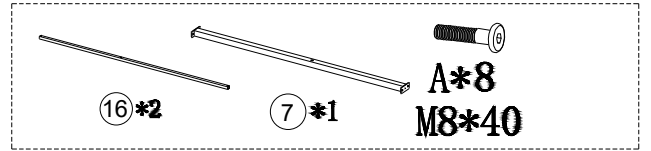
Unfold Part 4 as shown in the diagram.

## Step10



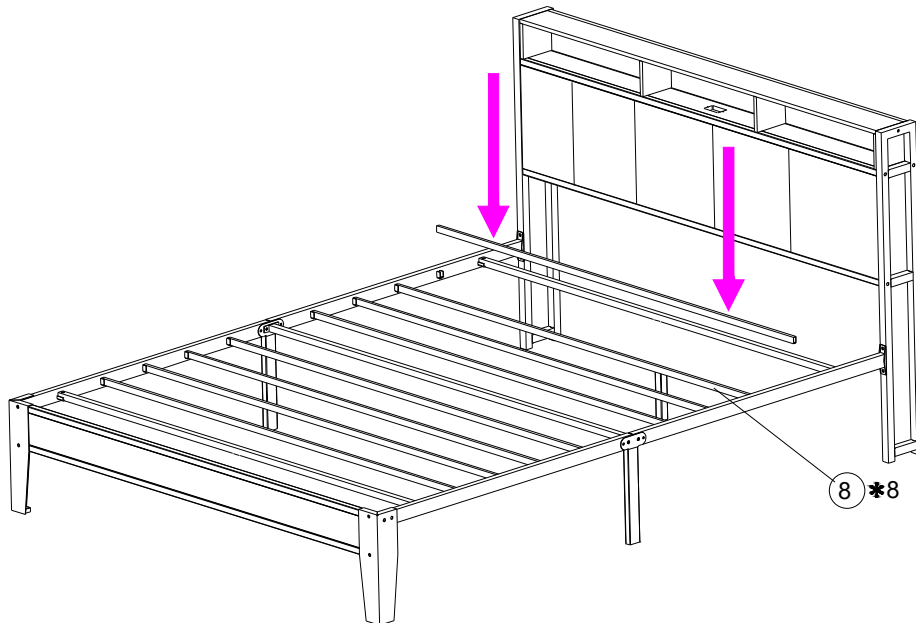
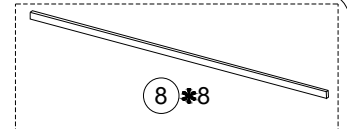
Do not fully tighten the screws yet.

## Step11



Do not fully  
tighten the screws yet.

## Step12



In the last step, please make sure all the screws are tightened.