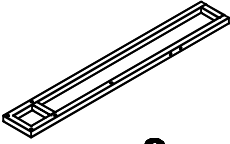


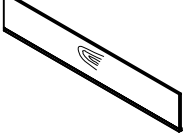
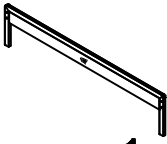
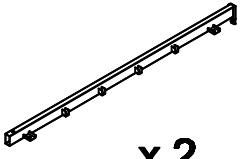
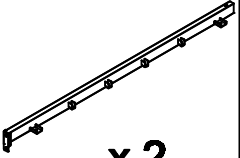
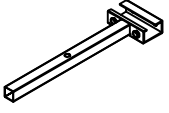

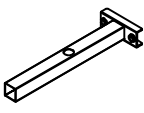

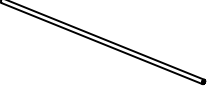
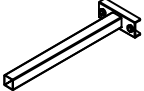
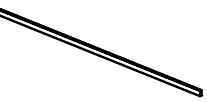





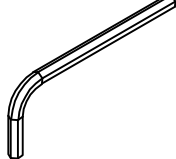




Please don't tighten the screws completely and go back later for a final tightening of all the screws after pieces are aligned with each other.

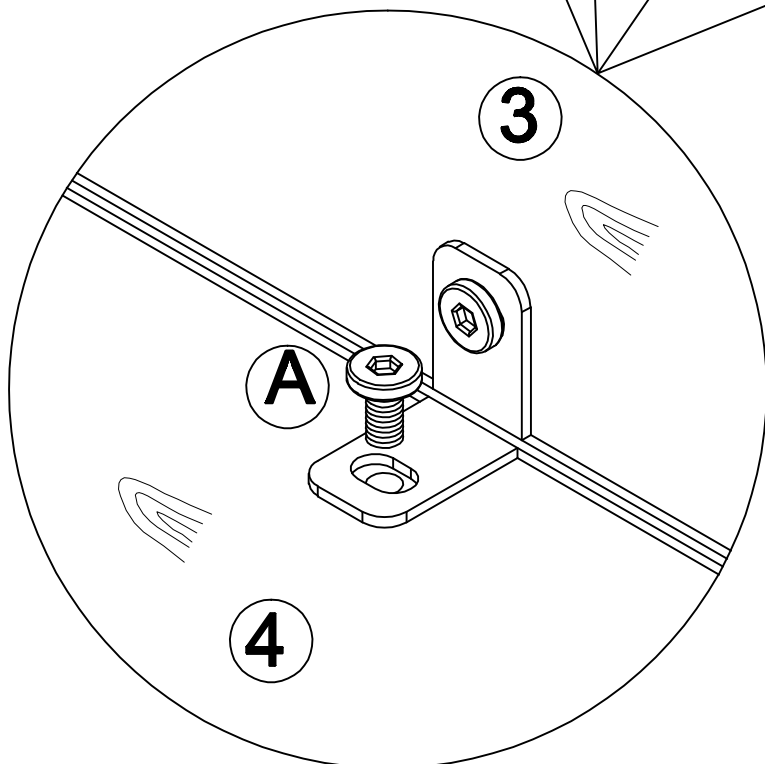
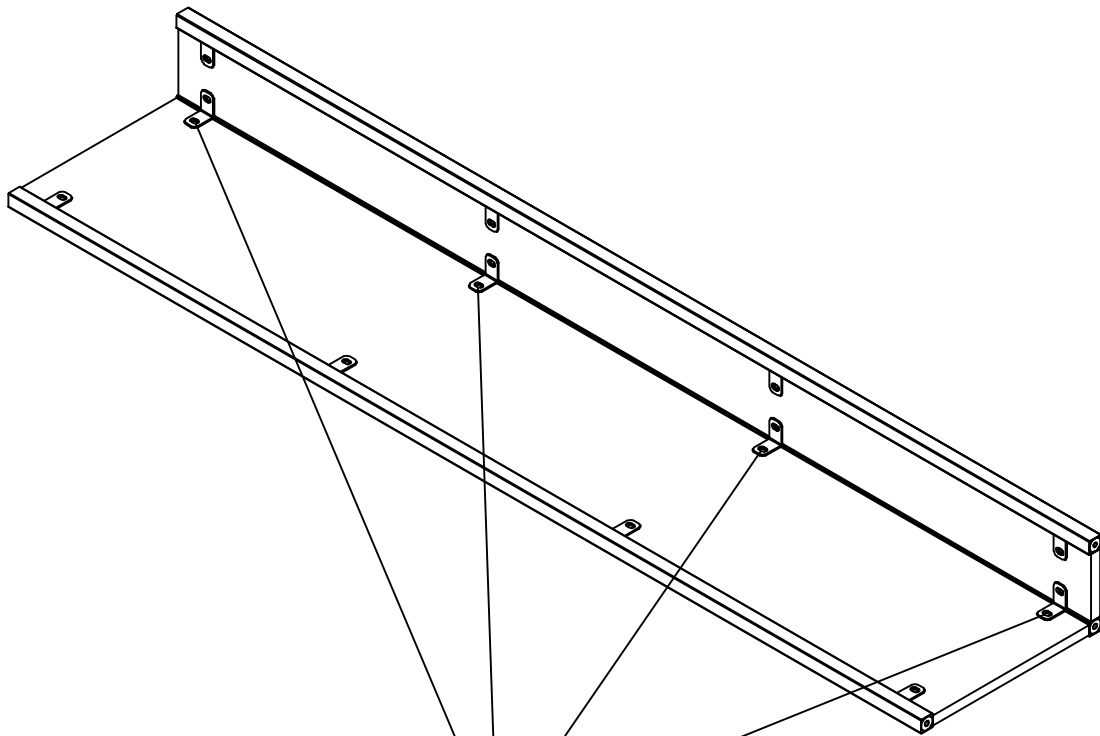
①  x 2	②  x 1	③  x 1	④  x 1	⑤  x 1	⑥  x 2
⑦  x 2	⑧  x 2	⑨  x 4	⑩  x 1	⑪  x 2	⑫  x 1
⑬  x 2	⑭  x 8				

Ⓐ  M6 x 12 mm x4	Ⓑ  M6 x 25 mm x8	Ⓒ  M6 x 35 mm x18
---	---	--



Ⓓ  M6 x 50 mm x6	Ⓔ  M8 x 35 mm x8	Ⓕ  4 # x1
---	---	--

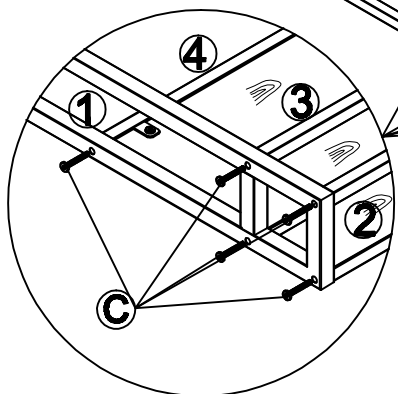
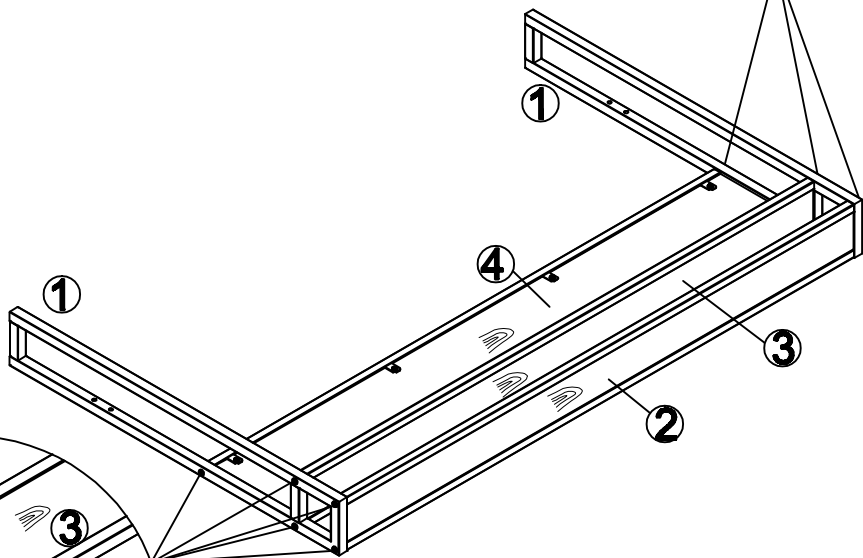
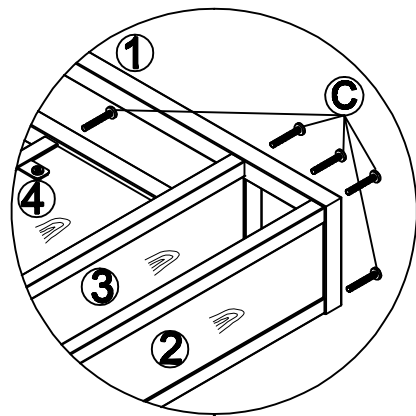
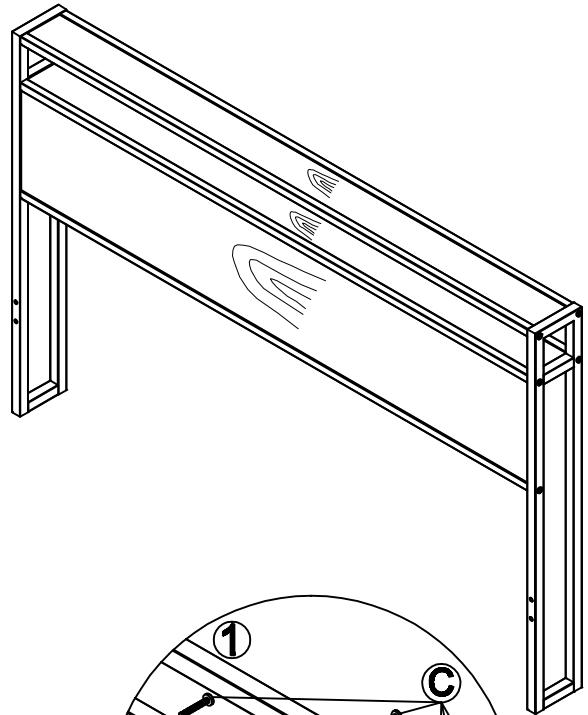
Step 2

A		M6 x 12	4pcs
F		4 #	1pcs






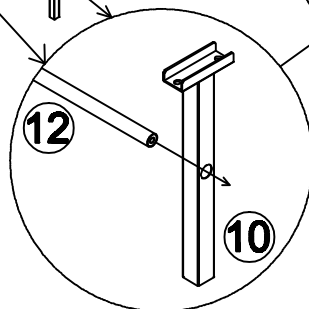
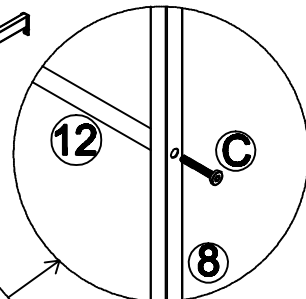
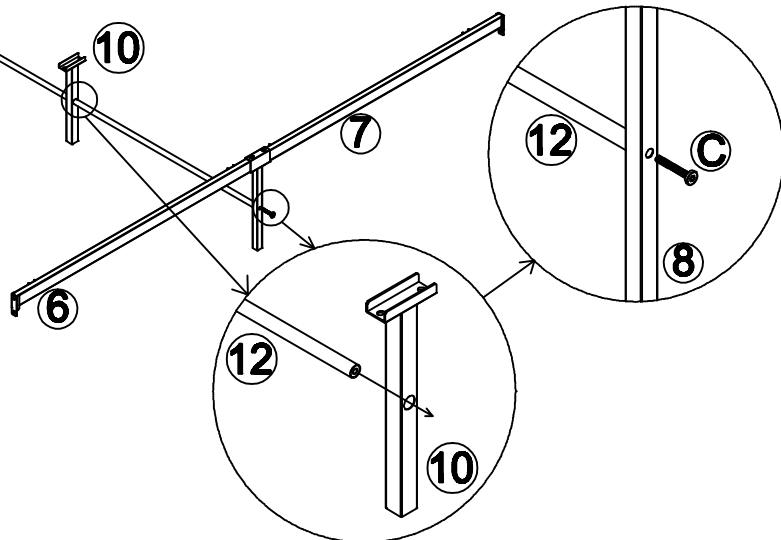
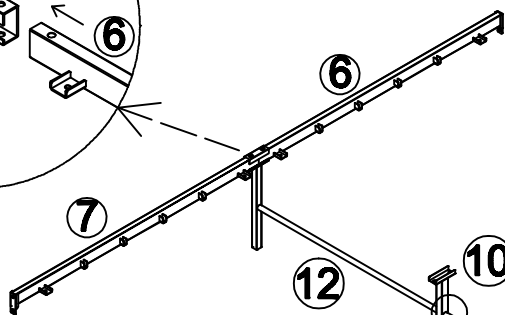
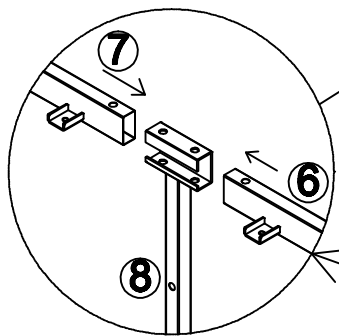
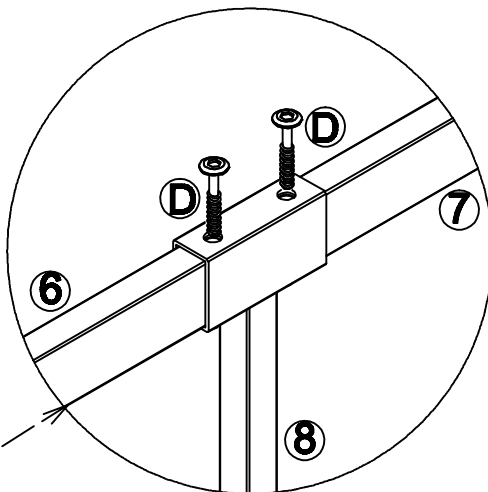
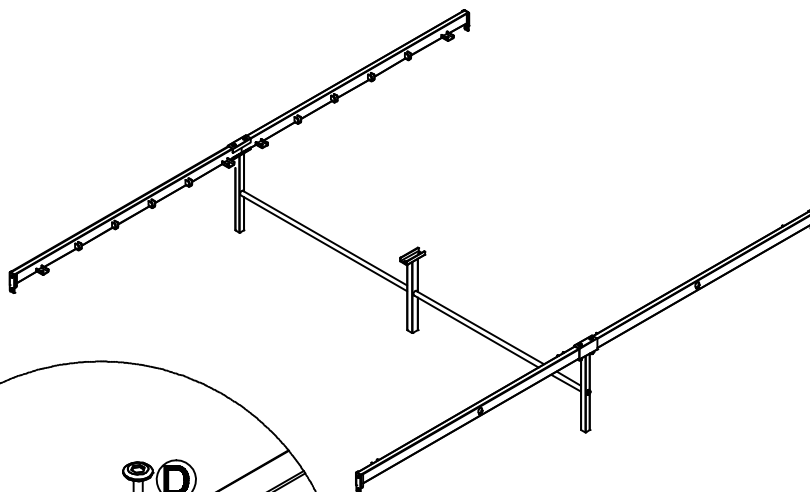
Step 2

C		M6 x 35	10pcs
F		4 #	1pcs





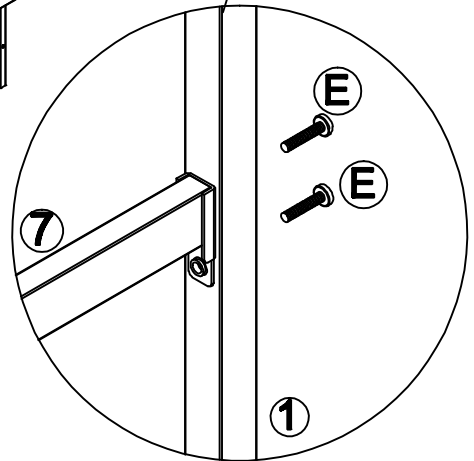
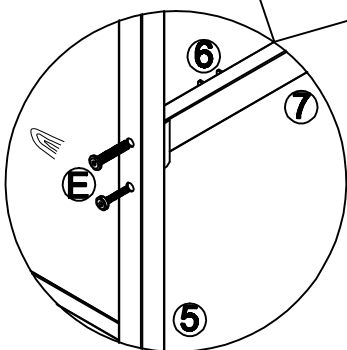
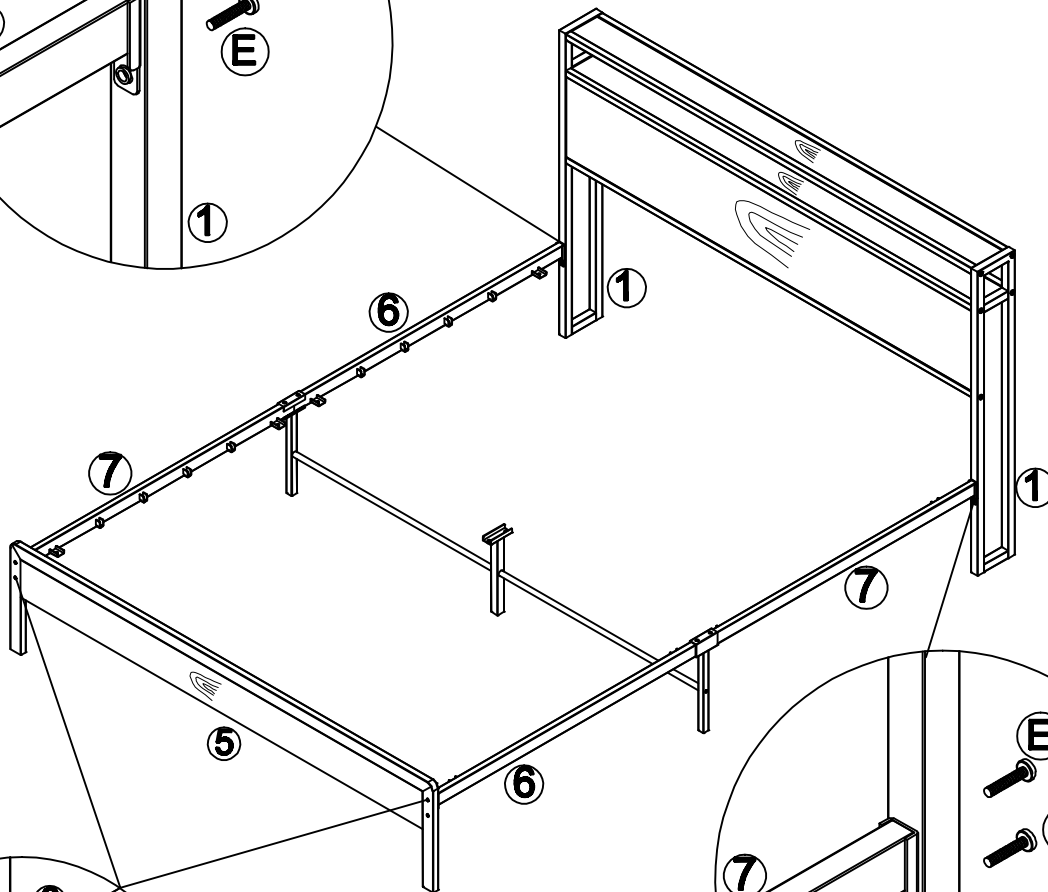
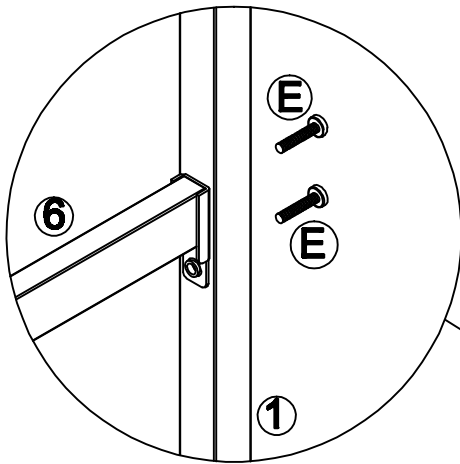
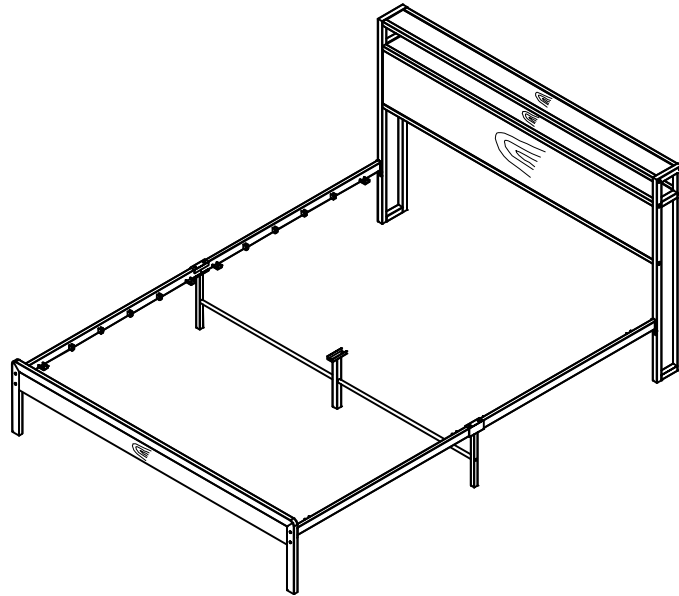
Step 3

C		M6 x 35	2pcs
D		M6 x 50	4pcs
F		4#	1pcs





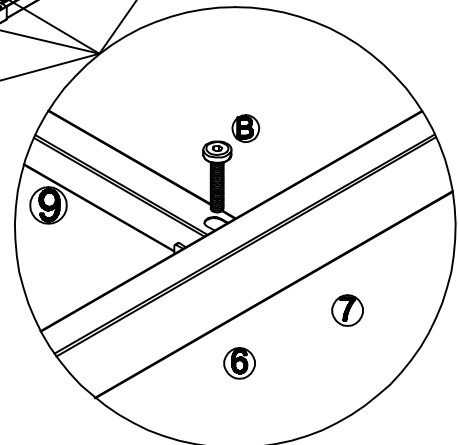
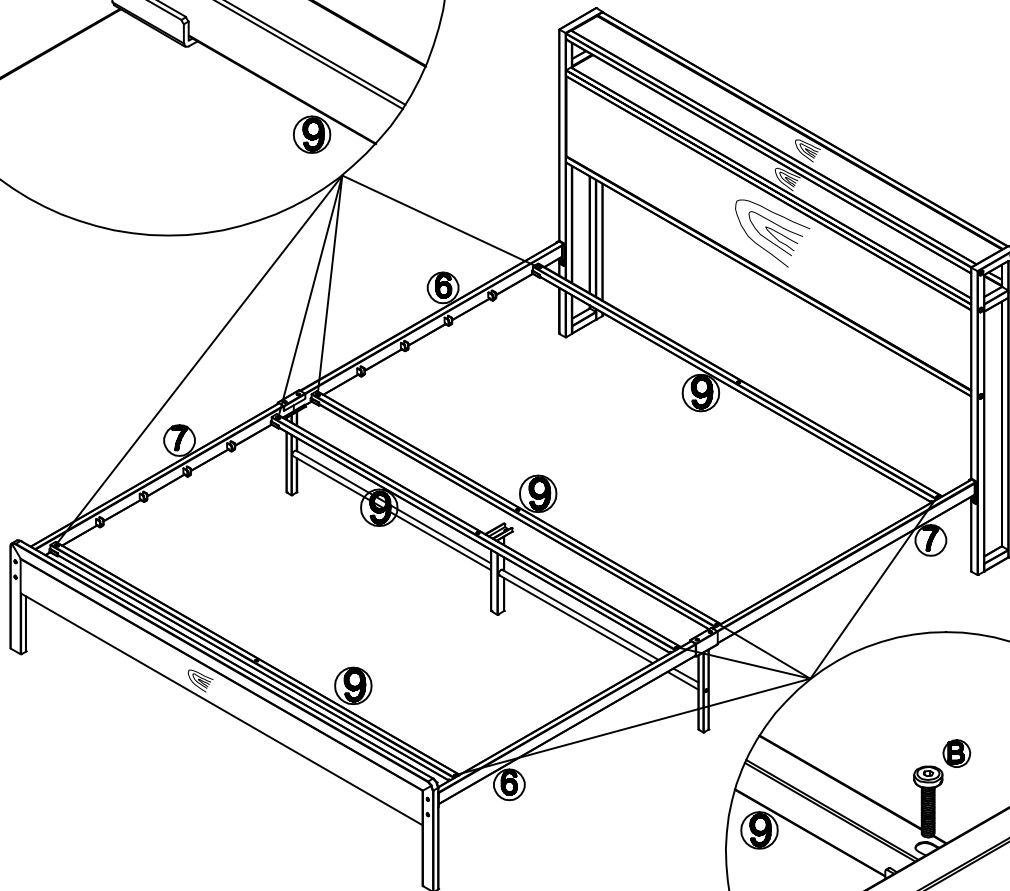
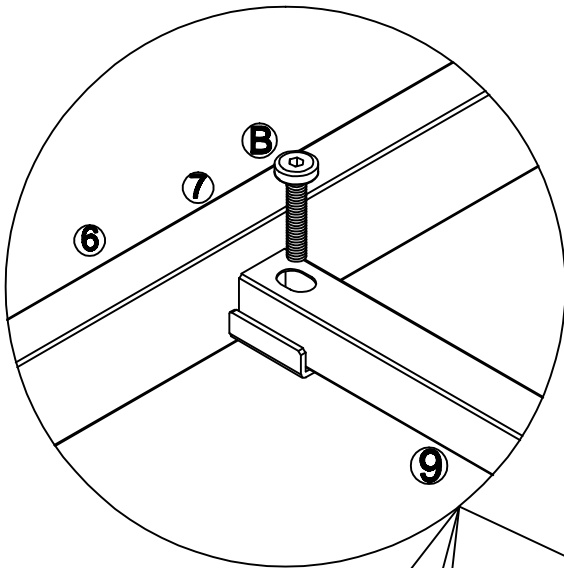
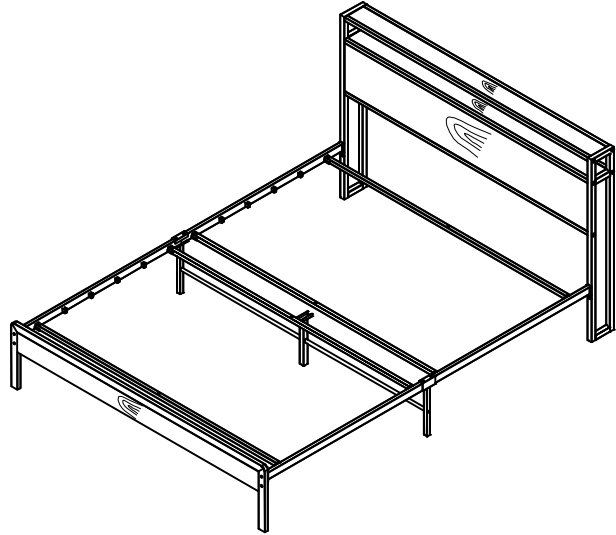
Step 4

E		M8 x 35	8pcs
F		4#	1pcs

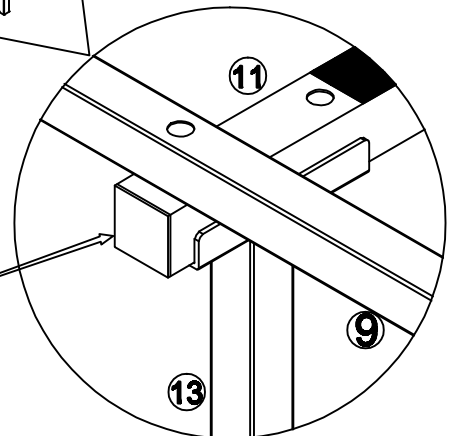
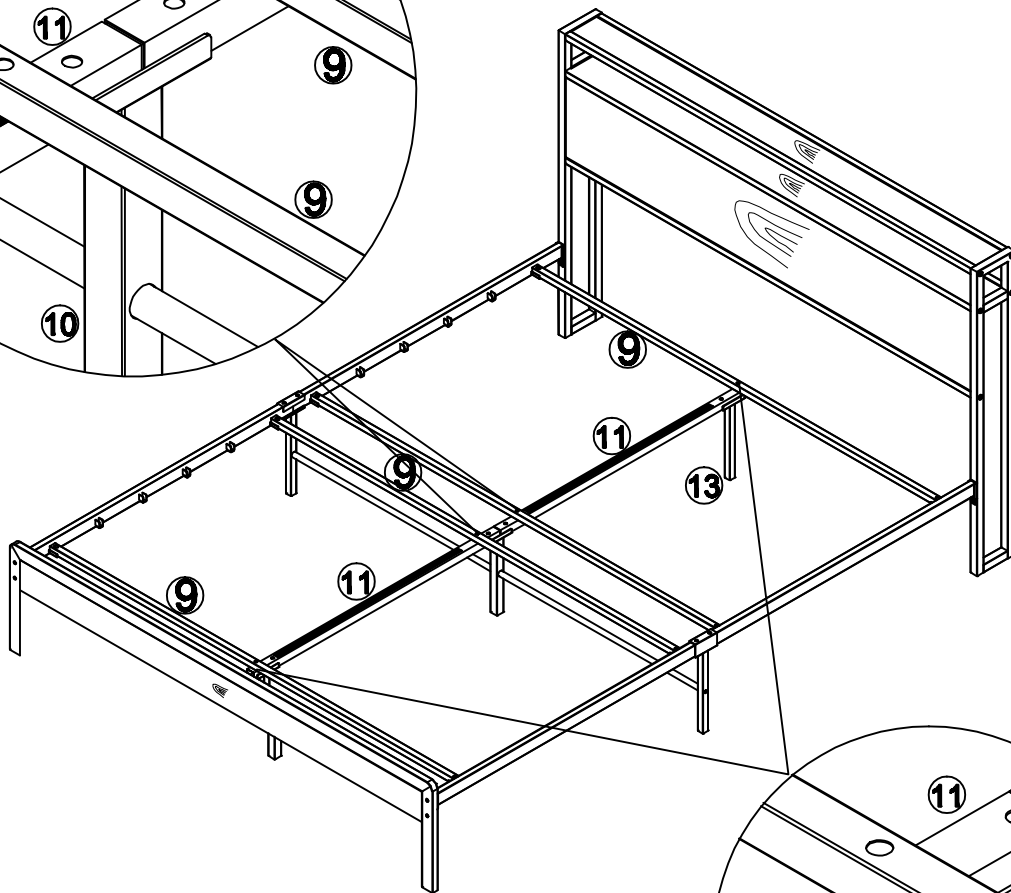
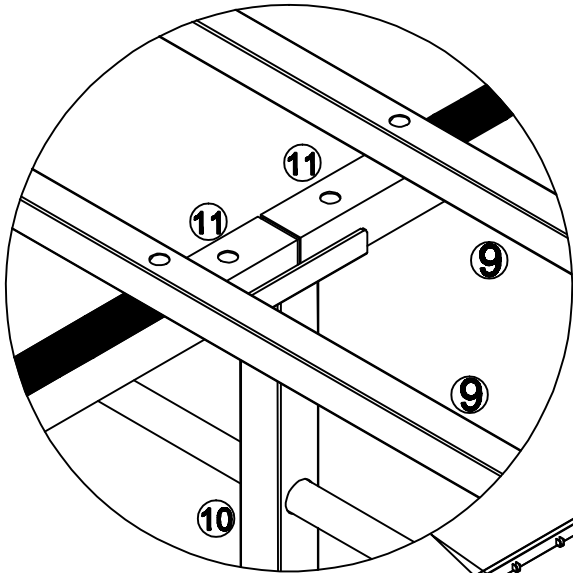
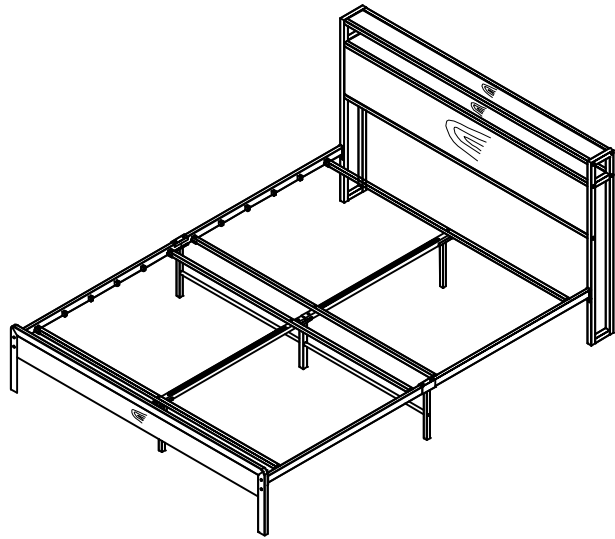


Step 5

B		M6 x 25	8pcs
F		4 #	1pcs






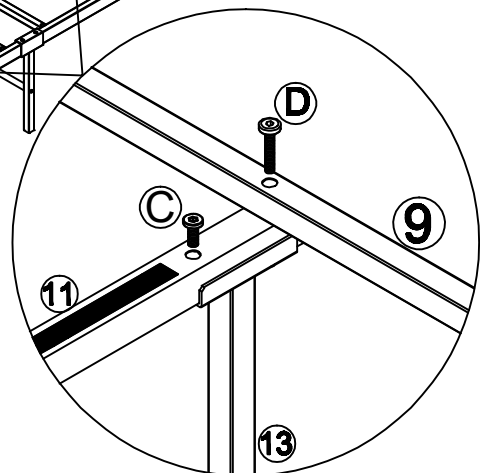
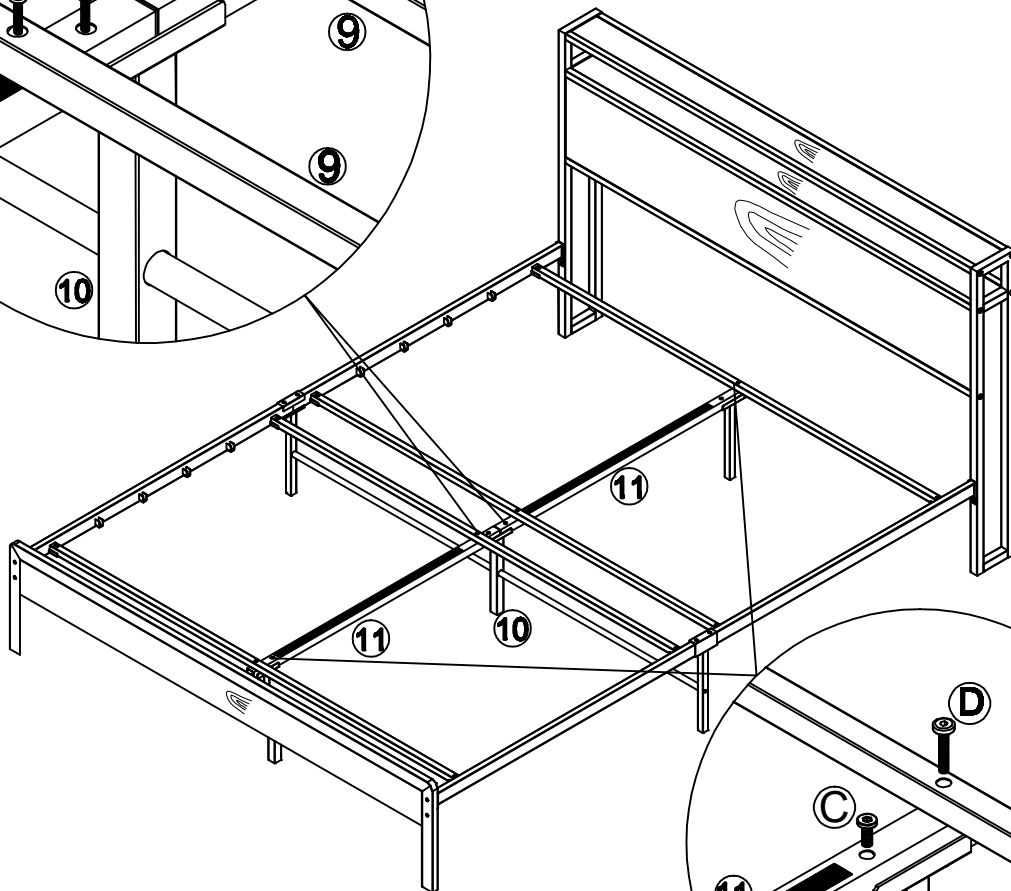
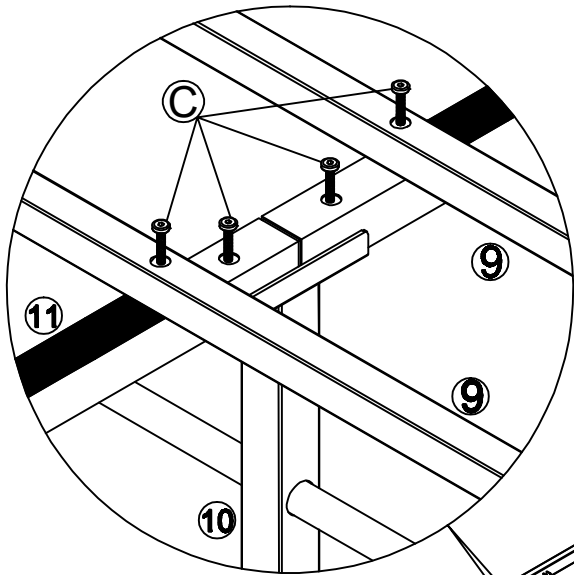
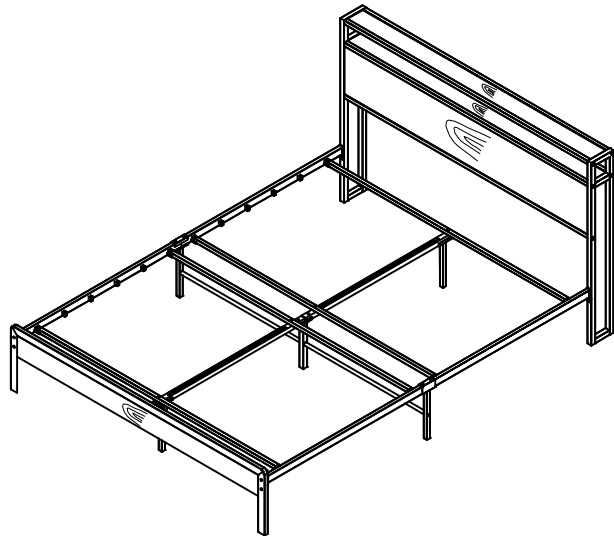
Step 6



With Plastic Rectangle Ribbed Tube.

Step 7

C		M6 x 35	6pcs
D		M6 x 50	2pcs
F		4 #	1pcs



Step 8

