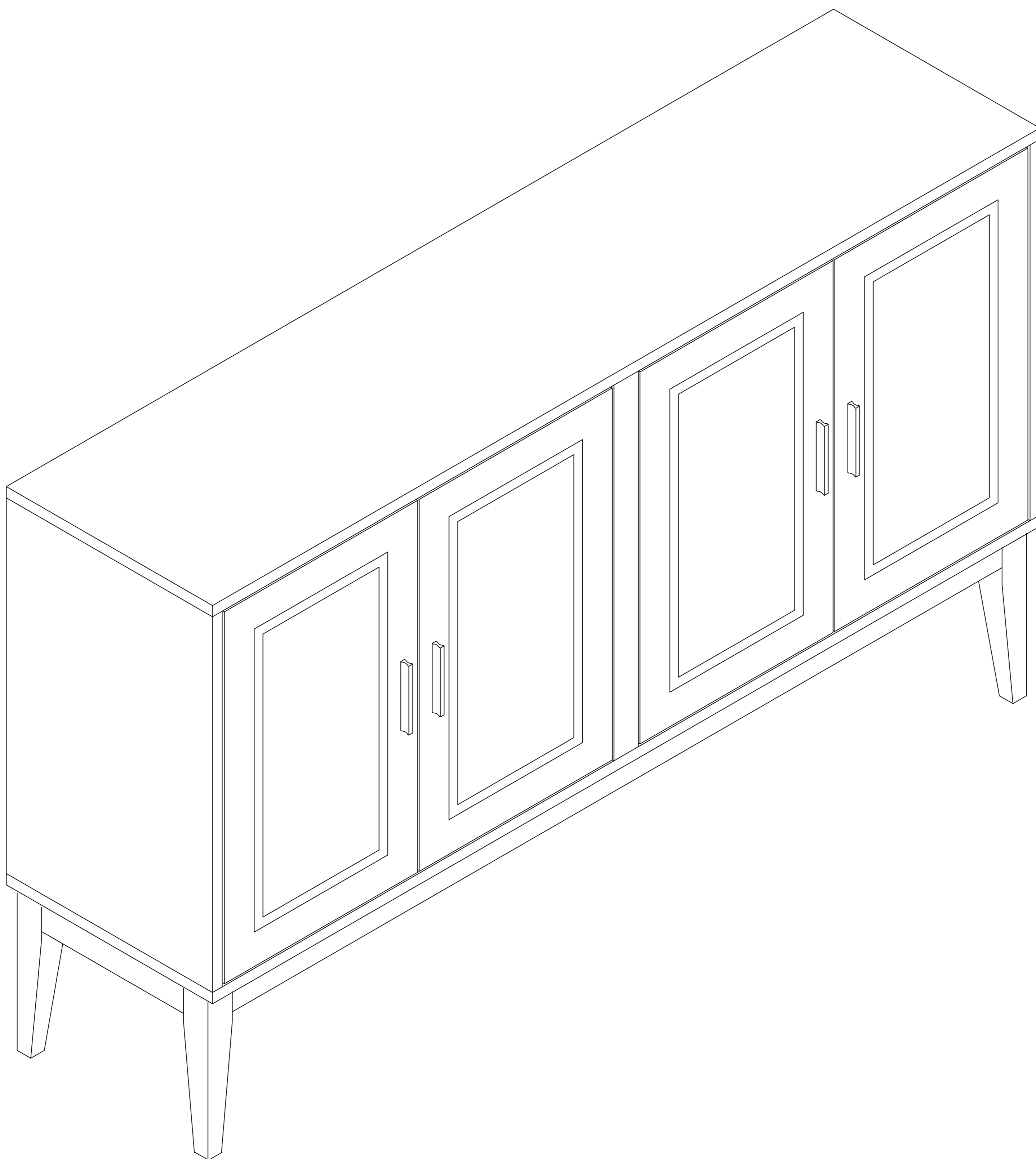


**ASSEMBLY INSTRUCTION**  
**SIDEBOARD**



# ASSEMBLY INSTRUCTION

## Important - Please read these instructions fully before starting assembly

- Check you have all the components and tools listed on the following pages.
- Remove all fittings from the plastic bags and separate them into their groups.
- Keep children and animals away from the work area, small parts could choke if swallowed.
- Make sure you have enough space to layout the parts before starting.

- During assembly do not stand or put weight on the product, this could cause damage.
- Assemble the item as close to its final position (in the same room) as possible.
- Assemble on a soft level surface to avoid damaging the unit or your floor.
- Parts of the assembly will be easier with 2 people.



- To reduce the likelihood of damaging your product please ensure that your power drill is set on low torque setting.

## Care and maintenance

- Only clean using a damp cloth and mild detergent, do not use bleach or abrasive cleaners.
- From time to time check that there are no loose screws on this unit.
- This product should not be discarded with household waste. Take to your local authority waste disposal centre.

## Handy Hints

- Assemble all parts and bolts loosely during assembly, only once the product is complete should you fully tighten the bolts
- Regularly check and ensure that all bolts and fittings are tightened properly.

## WARNING

**In order to help prevent overturning - please follow these instructions**

To help prevent product toppling over please follow the below steps:-

Use the anti tip strap or wall fixing method provided (if applicable)

Do not allow children to climb or hang on the furniture

Do not open more than one drawer at a time

Do not place heavy items in the top drawers

Do not place heavy items on top of the furniture, unless the furniture has been designed for this purpose

Please note that only the anti tip strap is provided.

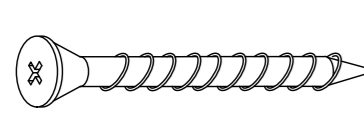
You will need to provide wall plugs and screws applicable for your wall type

## Tools required

 Philips screwdriver (medium & large)

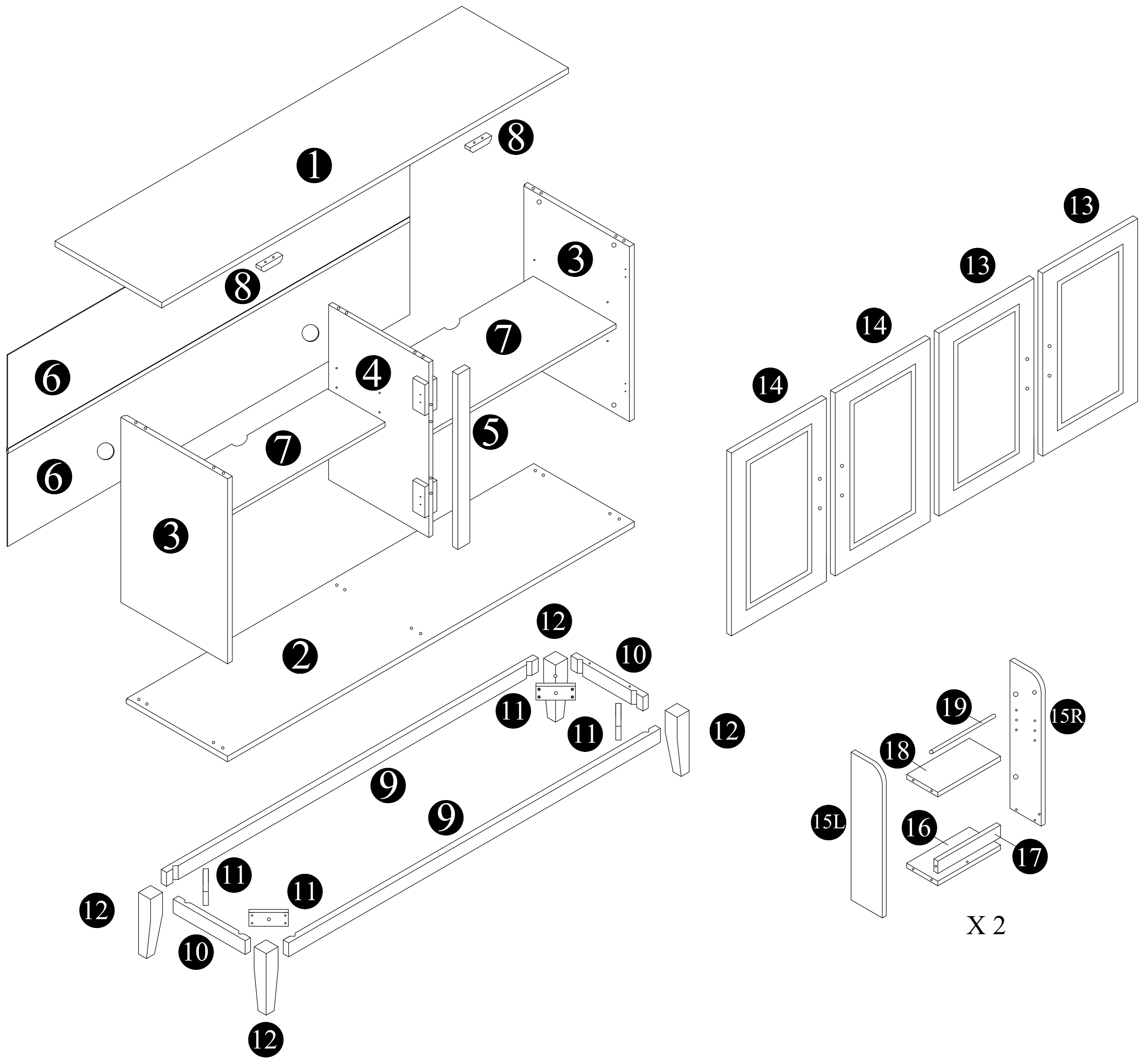
## Ruler - Use this ruler to help correctly identify the screws

0 5 10 15 20 25 30 35 40 45 50 55 60 65 70 75 80 85 90 95 100 105 110 115 120 125 130 135 140 145 150 155 160 165 170



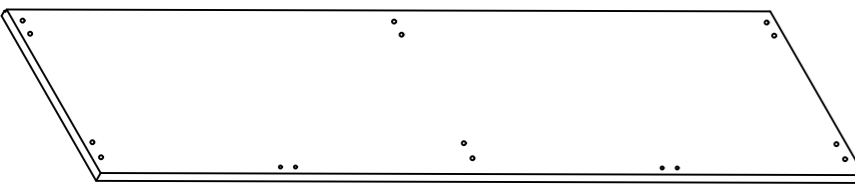
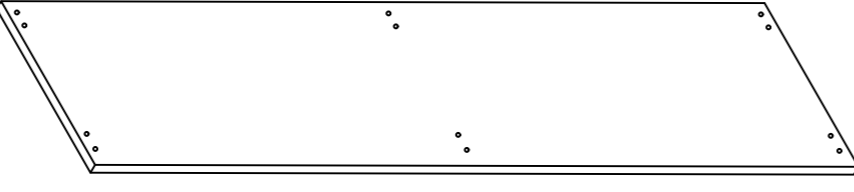
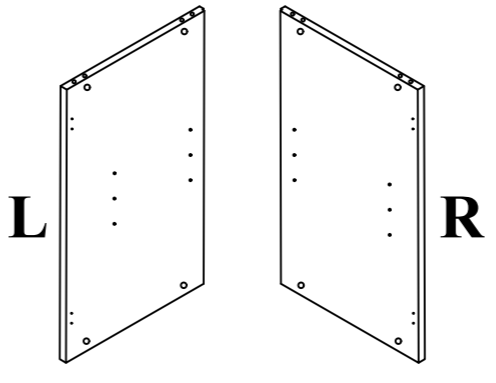
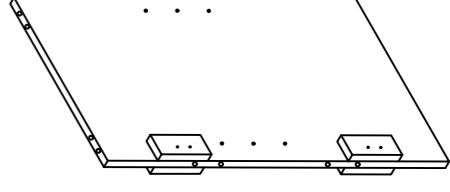
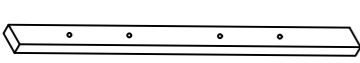
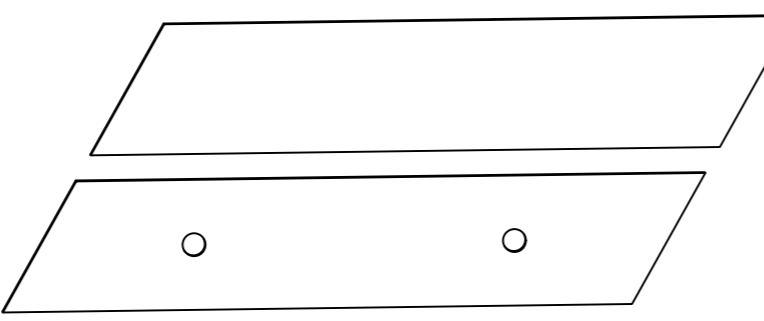
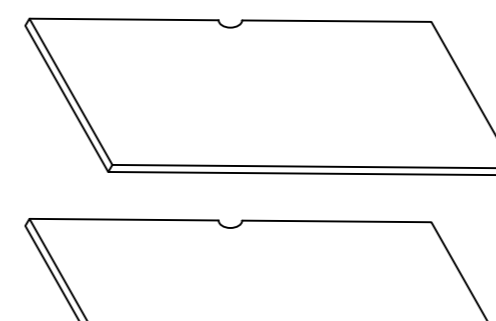
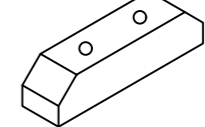
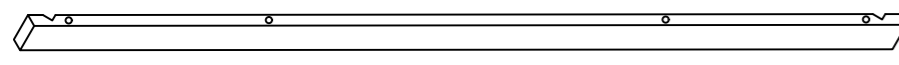
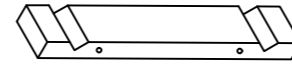
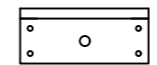
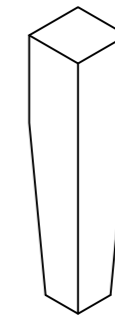
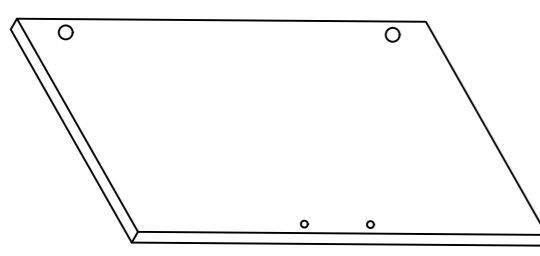
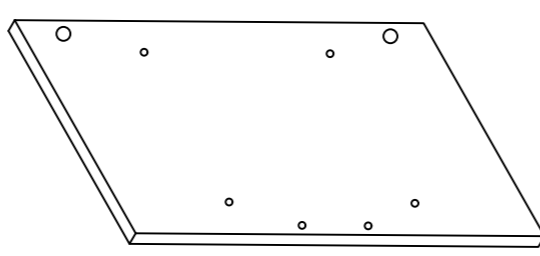
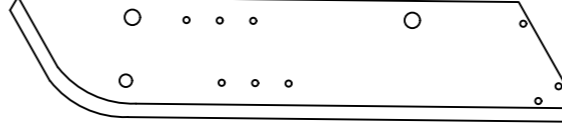
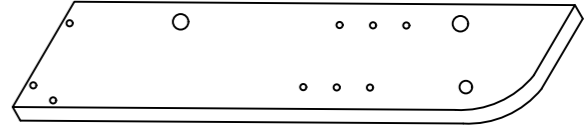
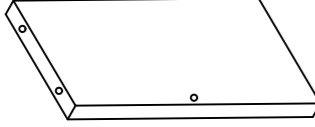
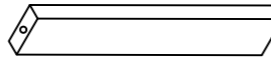
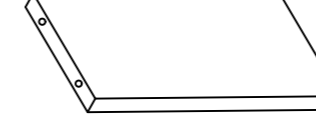
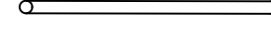
The screws length is measured from the head to the point (16mm screw shown).

# ASSEMBLY INSTRUCTION

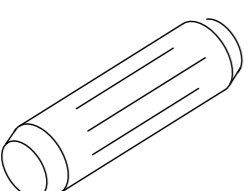
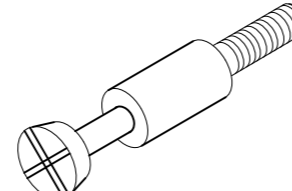
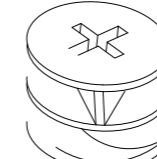
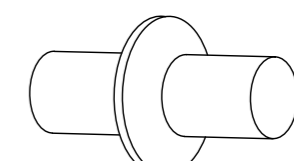
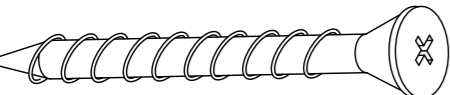
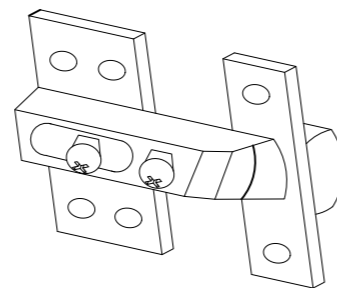
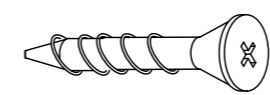
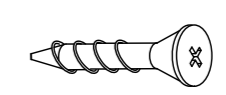

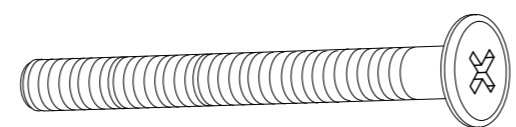

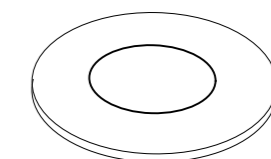
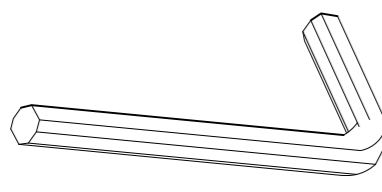
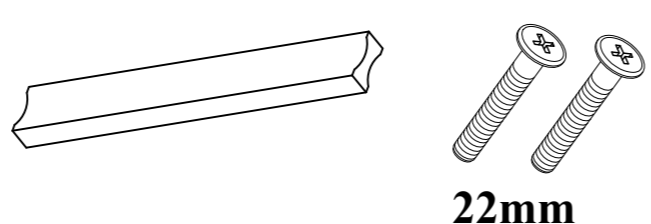
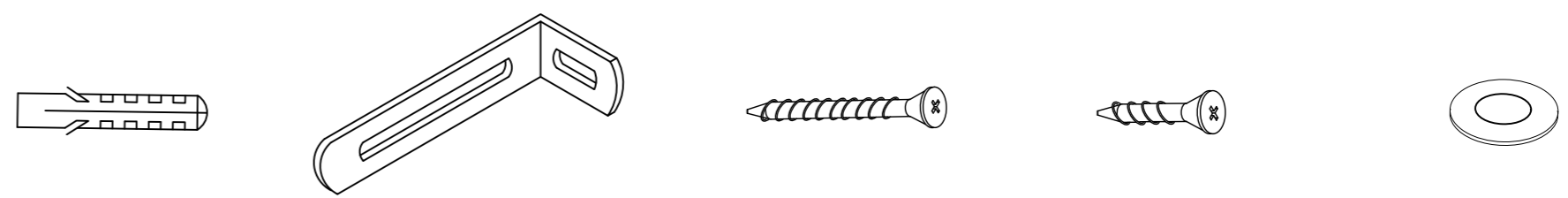


# ASSEMBLY INSTRUCTION

## PART LIST

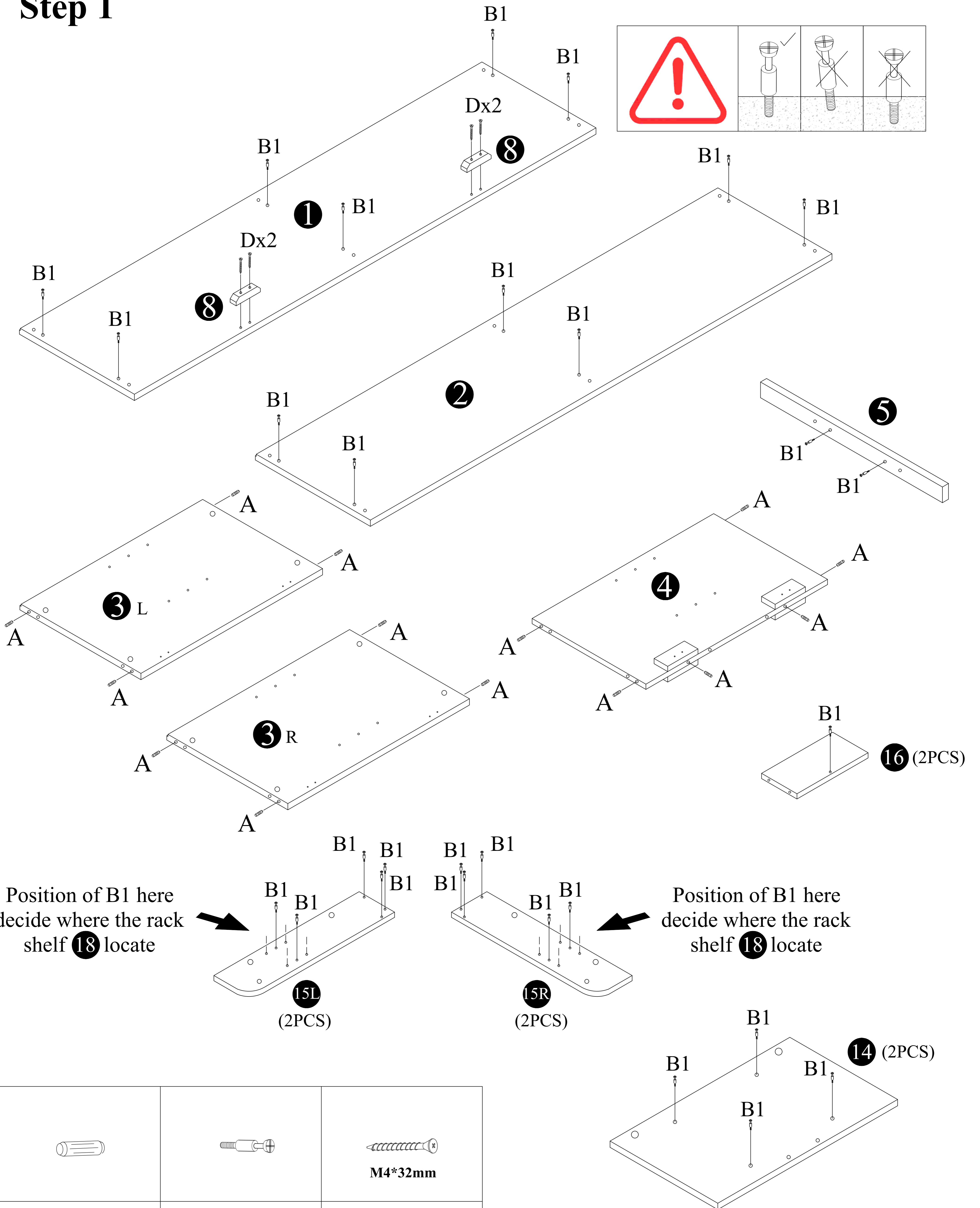
<b>1</b>  <b>Top panel - 1pc</b>	<b>2</b>  <b>Bottom panel - 1pc</b>	<b>3</b>  <b>Side panel - 2pcs</b>	<b>4</b>  <b>Center panel - 1pc</b>
<b>5</b>  <b>Center pillar - 1pc</b>	<b>6</b>  <b>Back panel - 2pcs</b>	<b>7</b>  <b>Shelves - 2pcs</b>	<b>8</b>  <b>Door stopper - 2pcs</b>
<b>9</b>  <b>Leg frame (front &amp; back) - 2pcs</b>	<b>10</b>  <b>Leg frame (side) - 2pcs</b>	<b>11</b>  <b>Leg frame connector - 4pcs</b>	<b>12</b>  <b>Leg - 4pcs</b>
<b>13</b>  <b>Door panel - 2pcs</b>	<b>14</b>  <b>Door panel for rack - 2pcs</b>	<b>15L</b>  <b>Rack - Side L - 2pcs</b>	<b>15R</b>  <b>Rack - Side R - 2pcs</b>
<b>16</b>  <b>Rack - Bottom - 2pcs</b>	<b>17</b>  <b>Rack - Baffle - 2pcs</b>	<b>18</b>  <b>Rack - Shelf - 2pcs</b>	<b>19</b>  <b>Rack - Rod - 2pcs</b>

## HARDWARE LIST

<b>A</b>  <b>M8*30mm</b> <b>Wood dowel (14pcs)</b>	<b>B1</b>  <b>Minifix (44pcs)</b>	<b>B2</b>  <b>Minifix cap (44pcs)</b>	<b>C</b>  <b>Metal shelf support (8pcs)</b>
<b>D</b>  <b>M4*32mm</b> <b>Wood screw (32pcs)</b>	<b>E</b>  <b>7/8</b> <b>Soft close hinges (8pcs)</b>	<b>F</b>  <b>M3.5*16mm</b> <b>Wood screw (48pcs)</b>	<b>G</b>  <b>M3*12mm</b> <b>Wood screw (42pcs)</b>
<b>H</b>  <b>1484mm</b> <b>H connector (1pc)</b>	<b>I</b>  <b>M8*70mm</b> <b>JCBB (4pcs)</b>	<b>J</b>  <b>Spring Washer (4pcs)</b>	<b>K</b>  <b>Flat Washer (4pcs)</b>
<b>L</b>  <b>M5</b> <b>Allen Key (1pc)</b>	<b>M</b>  <b>22mm</b> <b>Handle with screw (4sets)</b>	<b>L</b> <b>L1</b> <b>L2</b> <b>L3</b> <b>L4</b> <b>L5</b>  <b>2pcs</b> <b>2pcs</b> <b>2pcs</b> <b>2pcs</b> <b>4pcs</b> <b>Anti tipping kit 2 sets</b>	

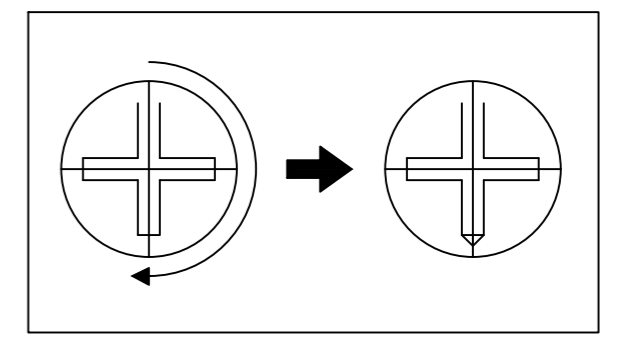
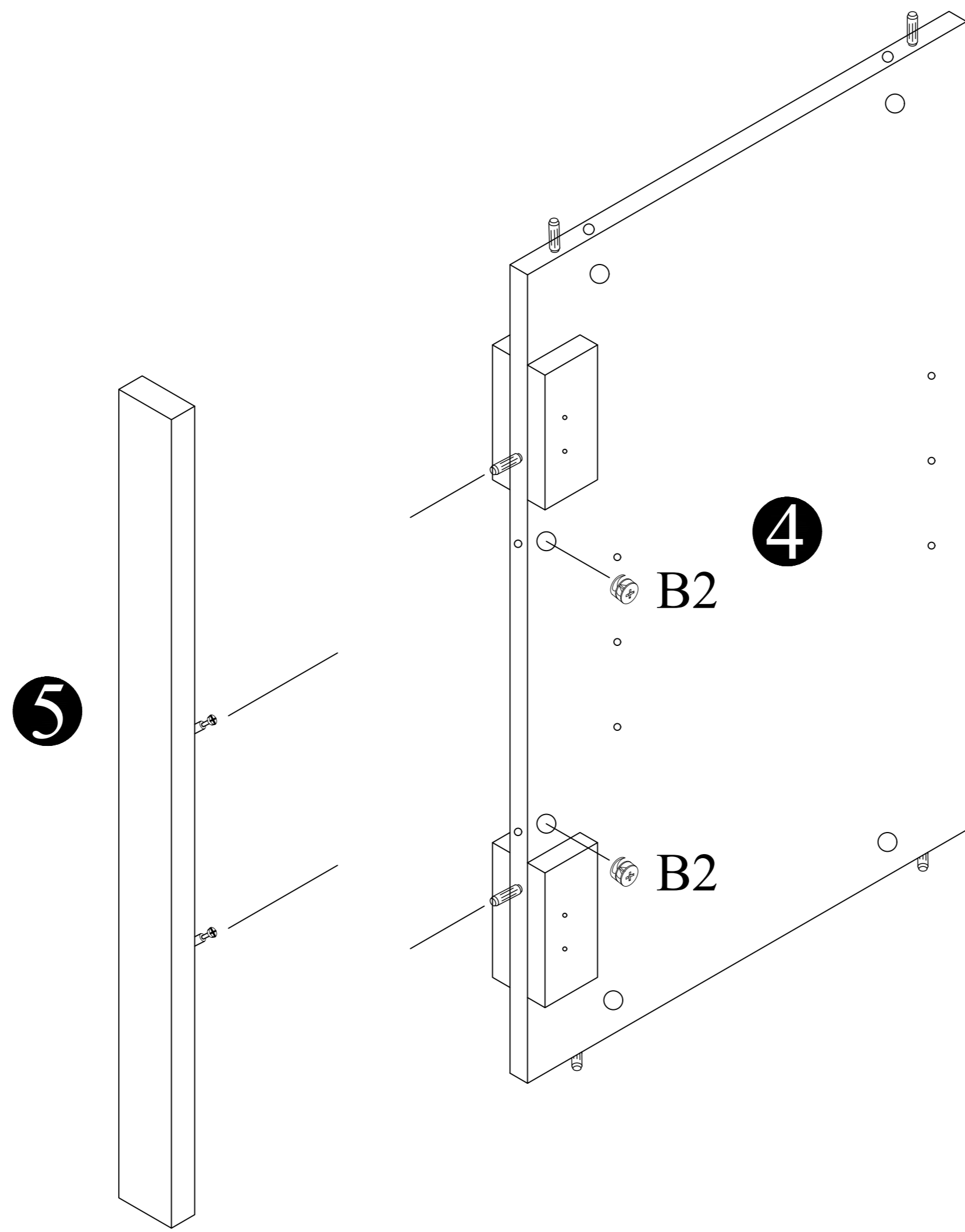
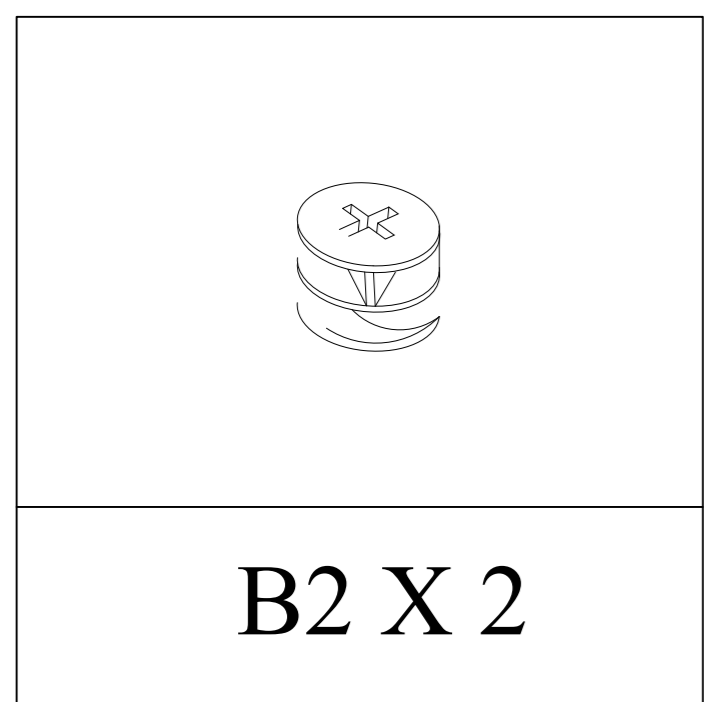
# ASSEMBLY INSTRUCTION

## Step 1

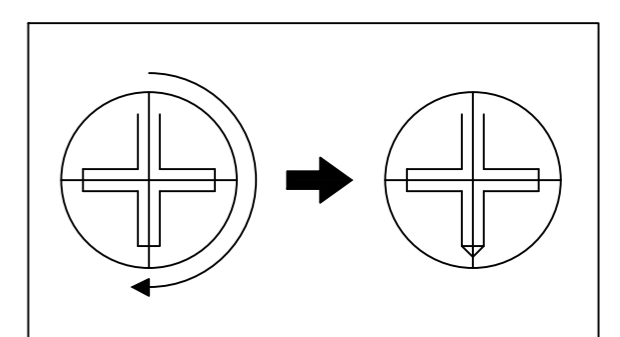
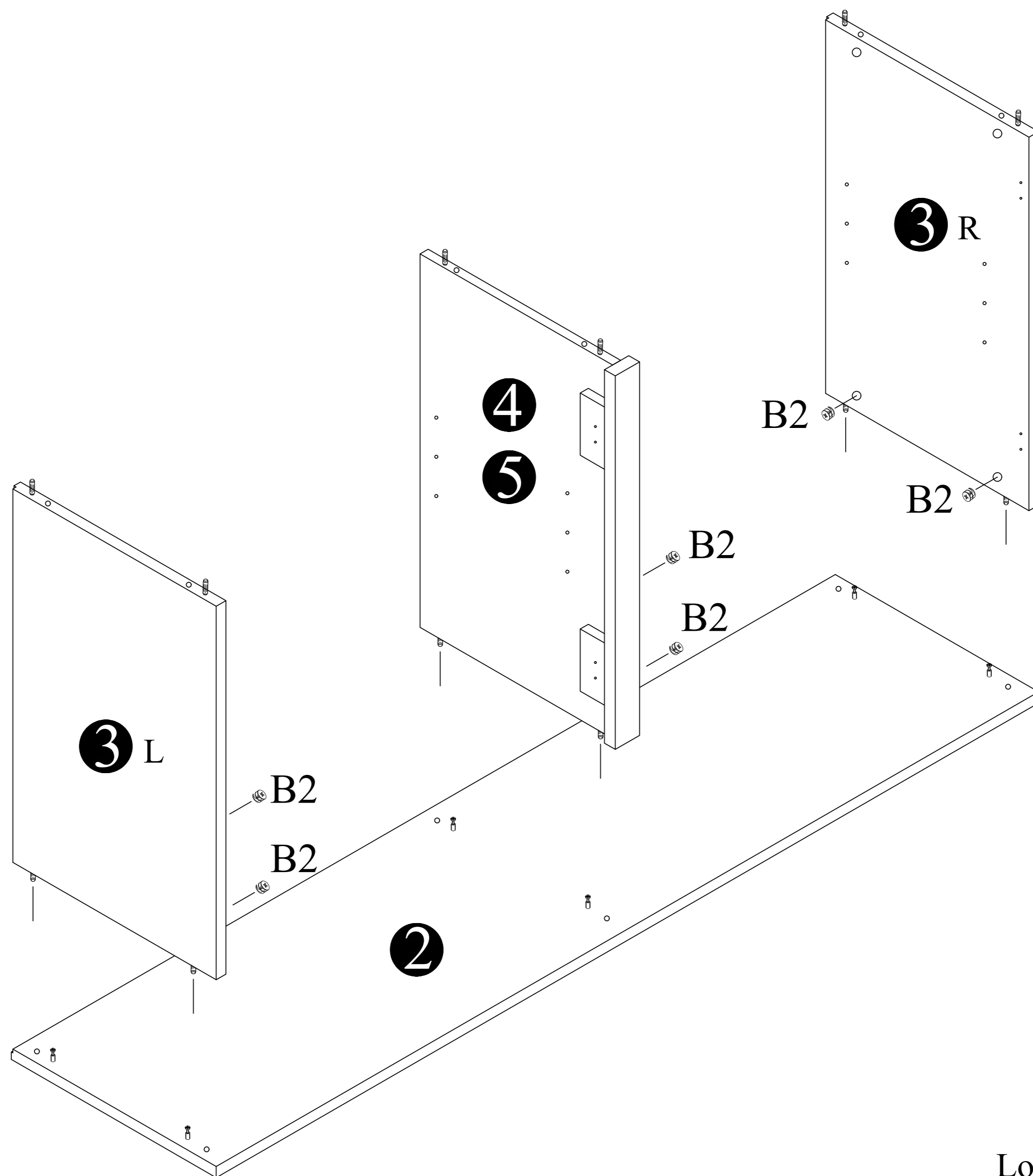
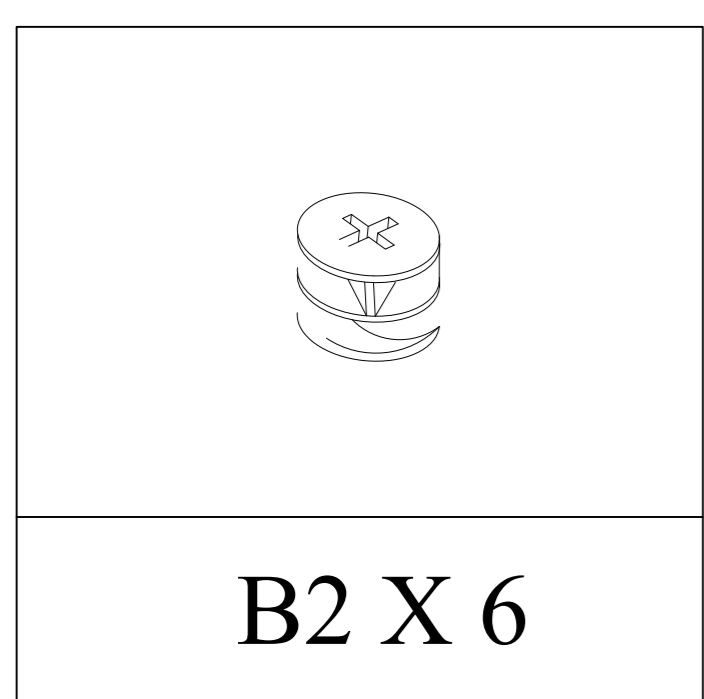


# ASSEMBLY INSTRUCTION

## Step 2

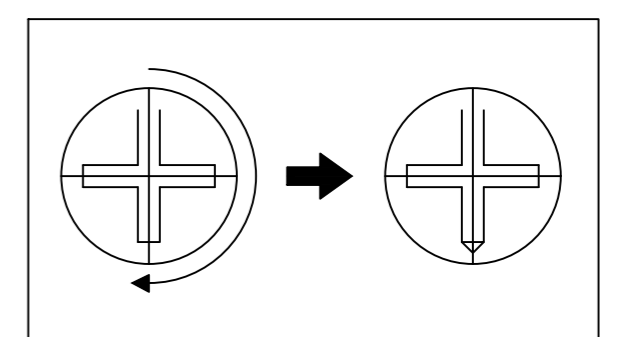
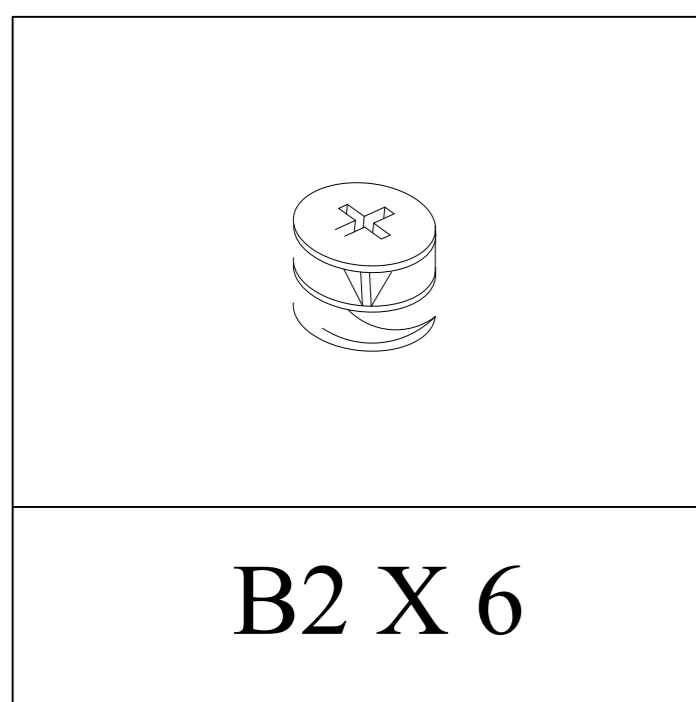
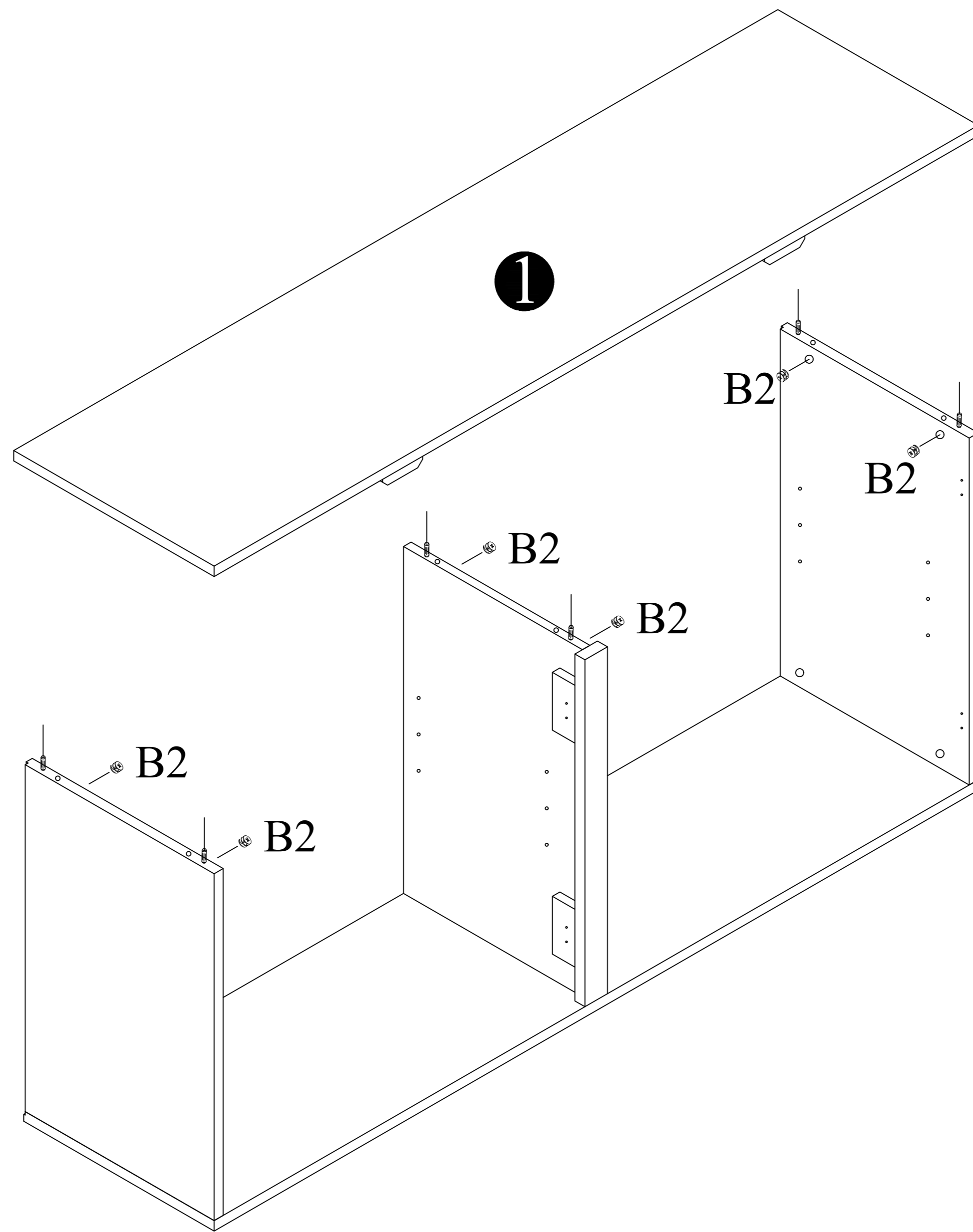


## Step 3



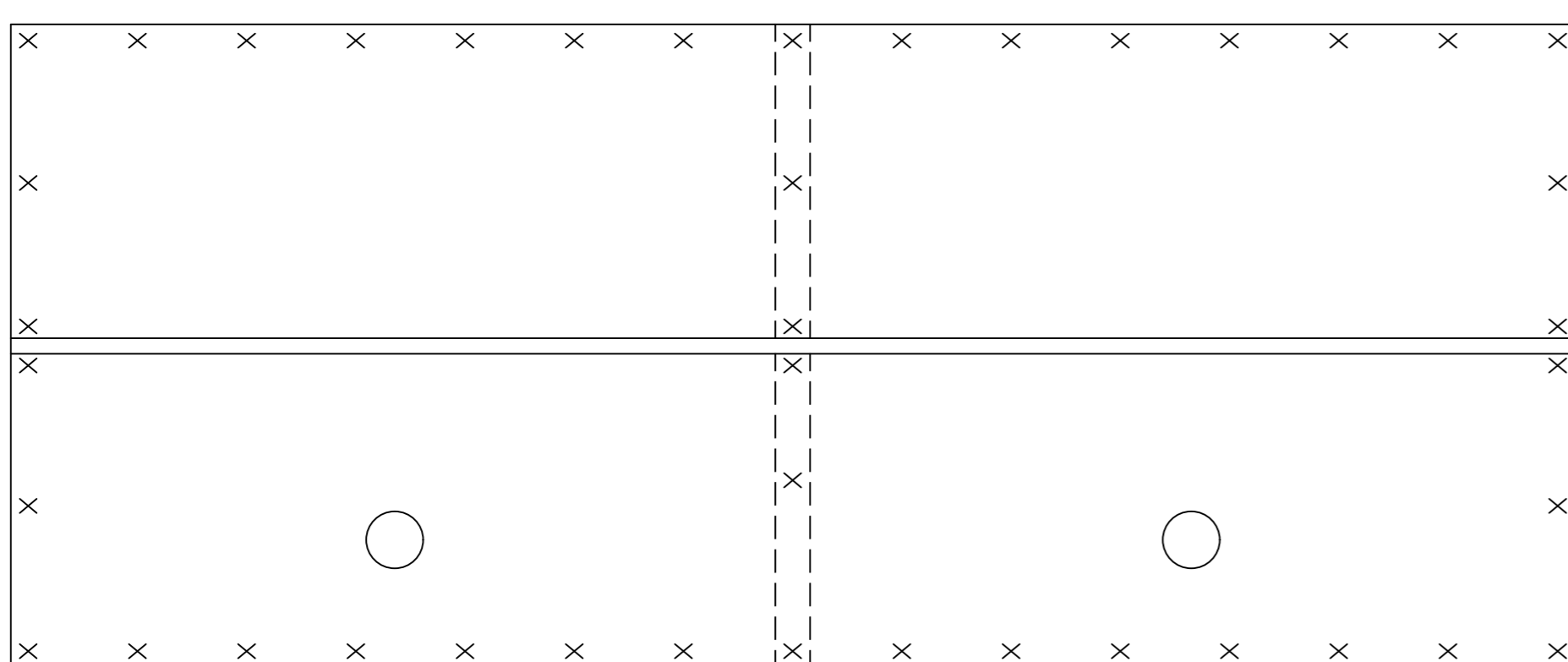
# ASSEMBLY INSTRUCTION

## Step 4

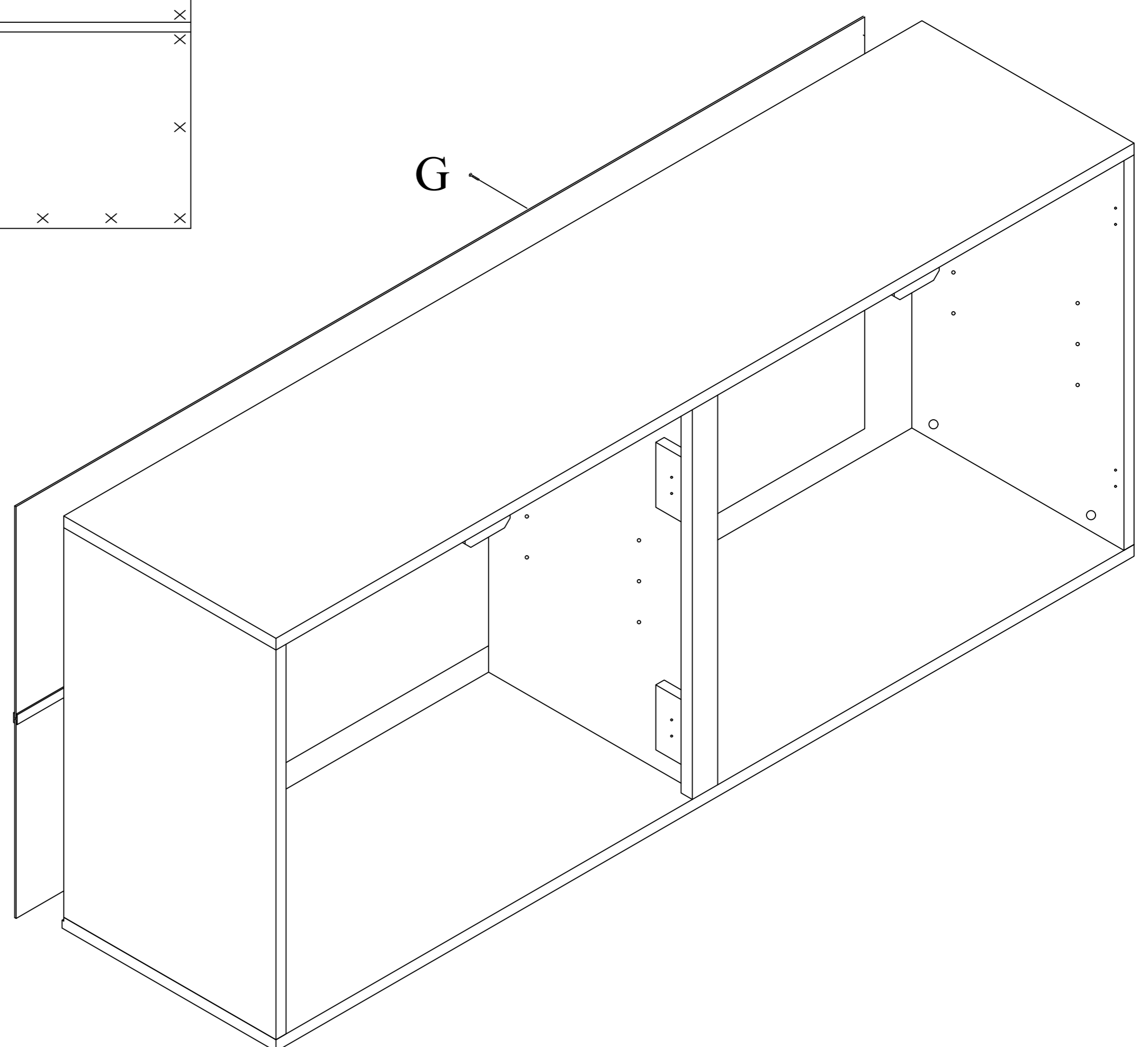


Lock Minifix cap clockwise

## Step 5



Guidance of screw array

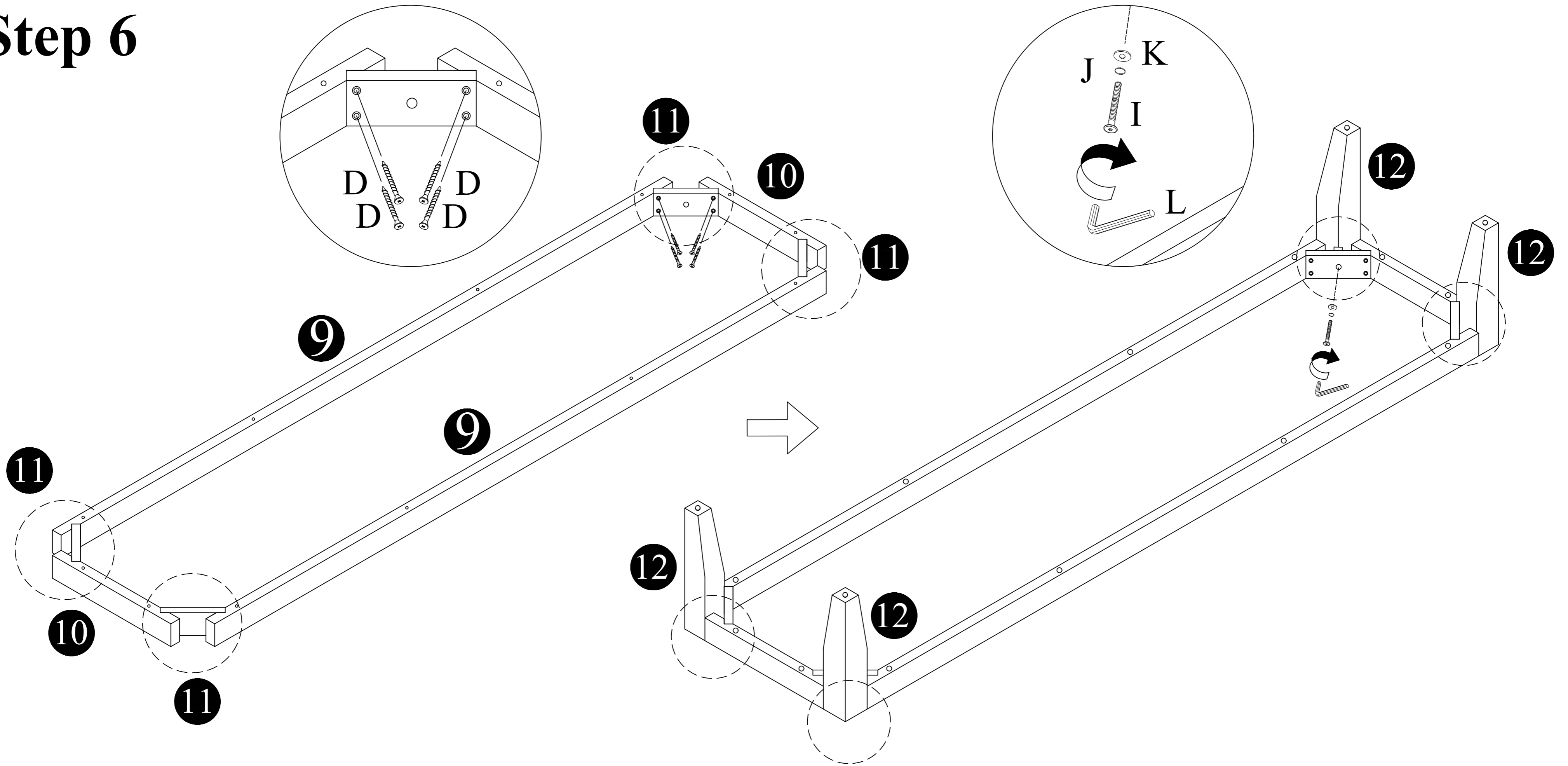


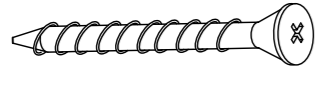
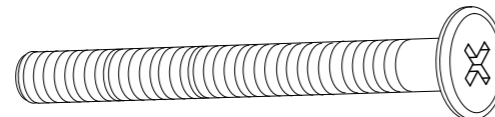

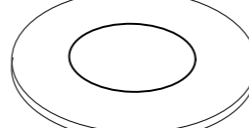
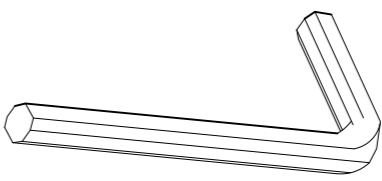
<b>M3*12mm</b>	<b>1484mm</b>
<b>G X 42</b>	<b>H X 1</b>

**6**  
H  
**6**

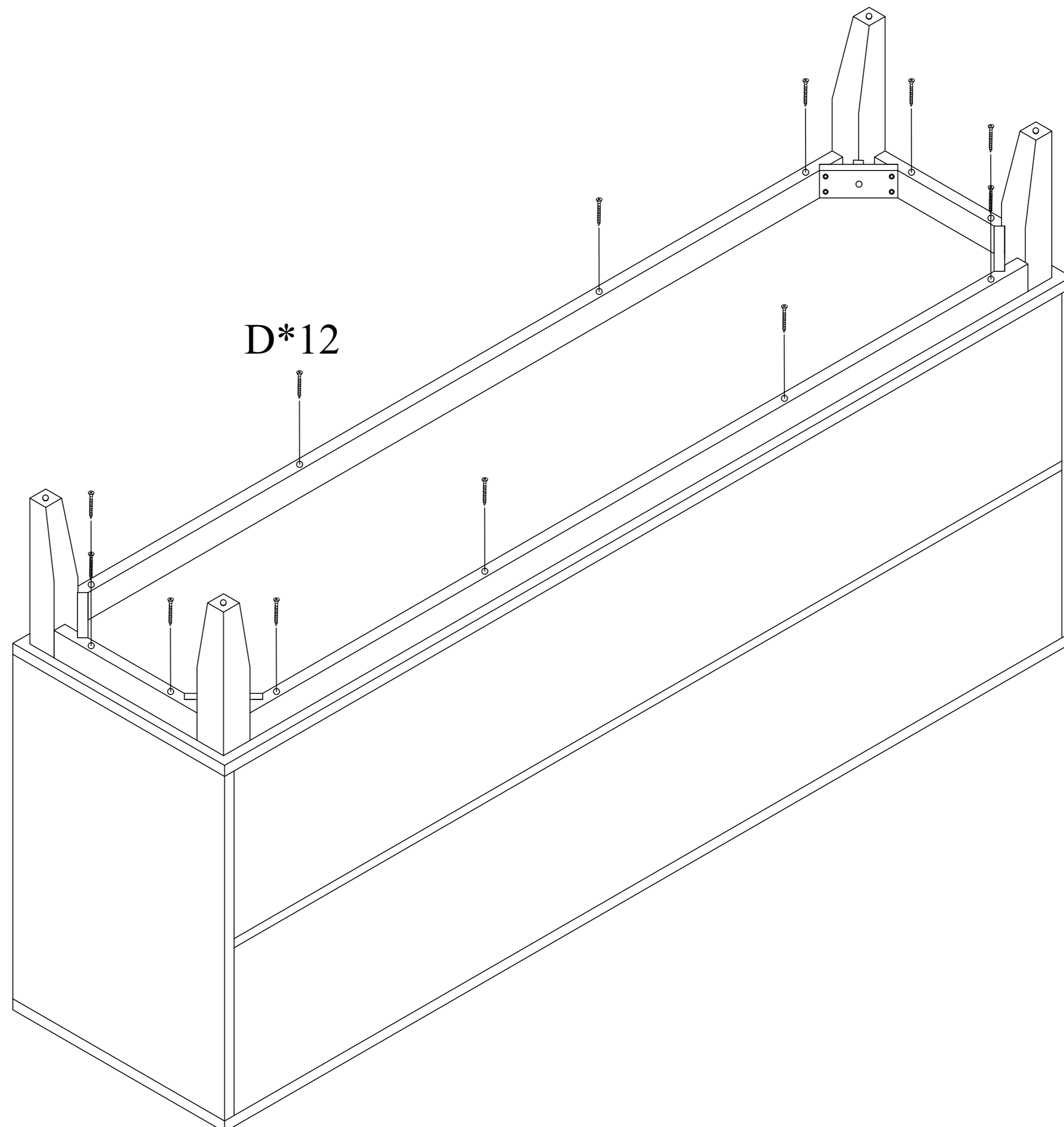
# ASSEMBLY INSTRUCTION

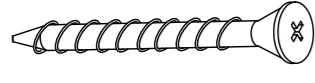
## Step 6



 M4*32mm	 M8*70mm			 M5
D X 16	I X 4	J X 4	K X 4	L X 1

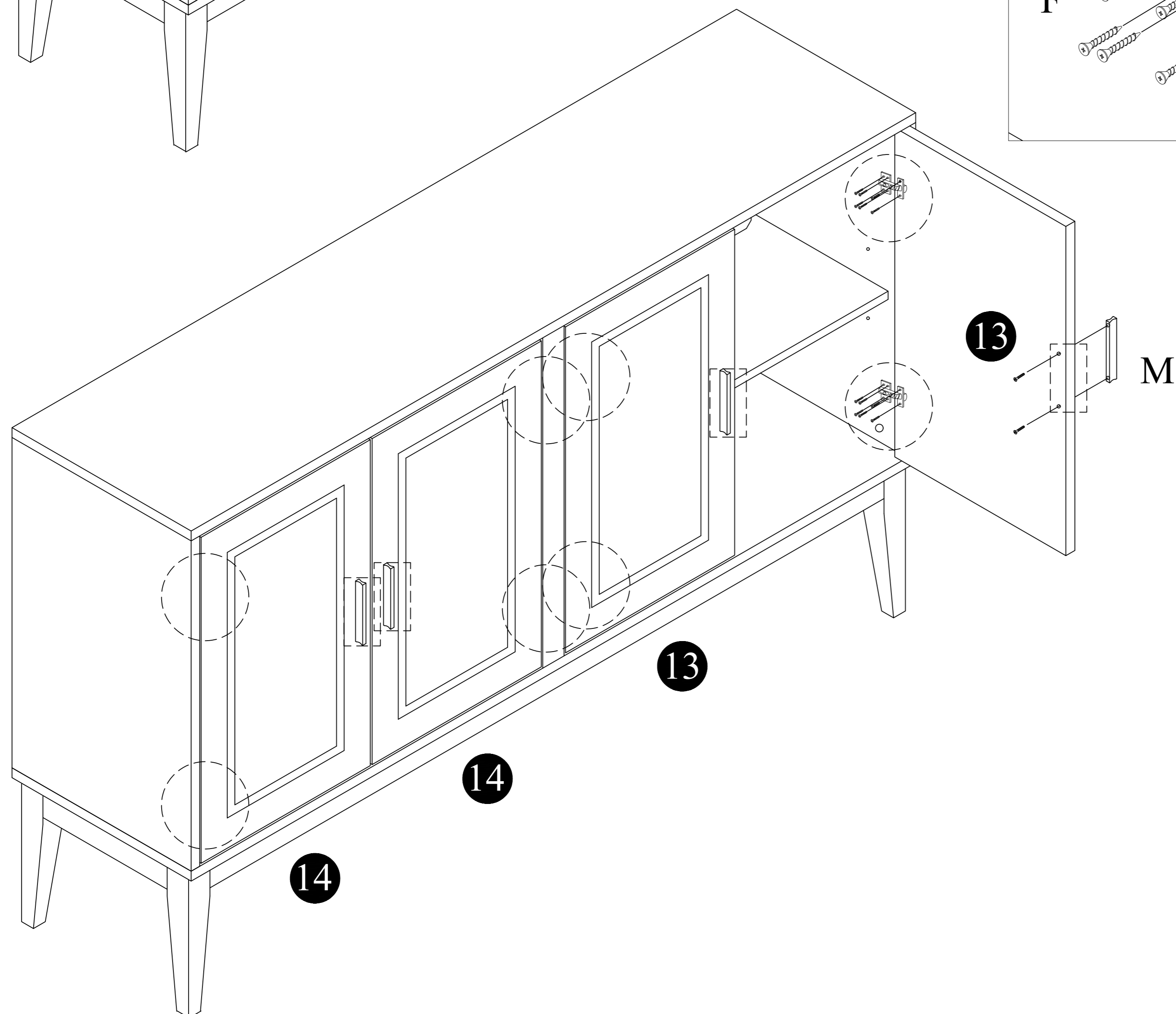
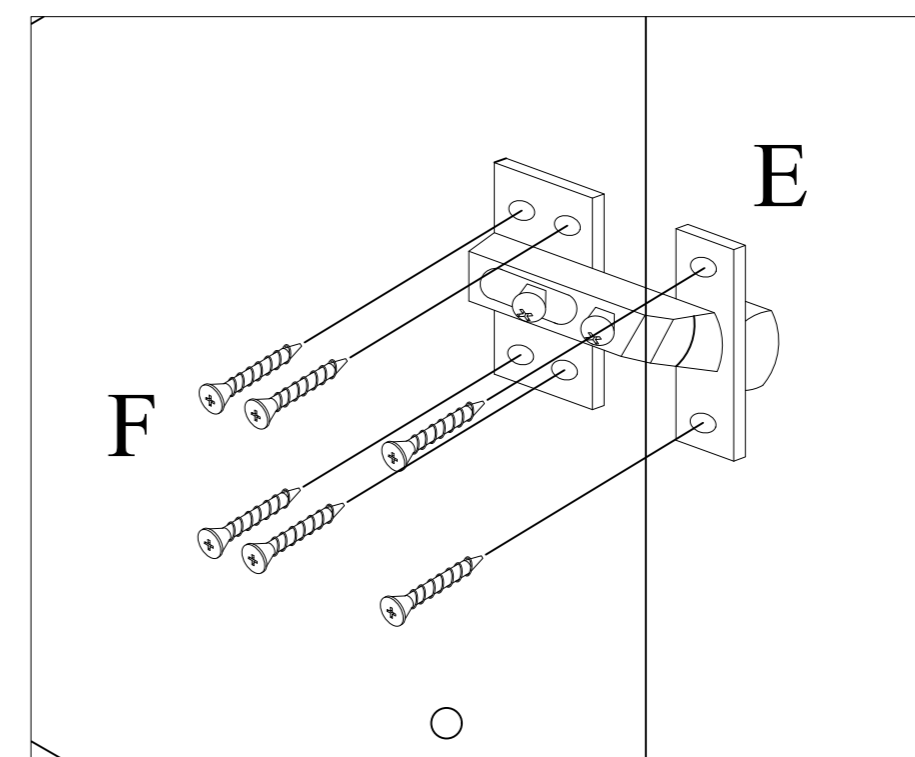
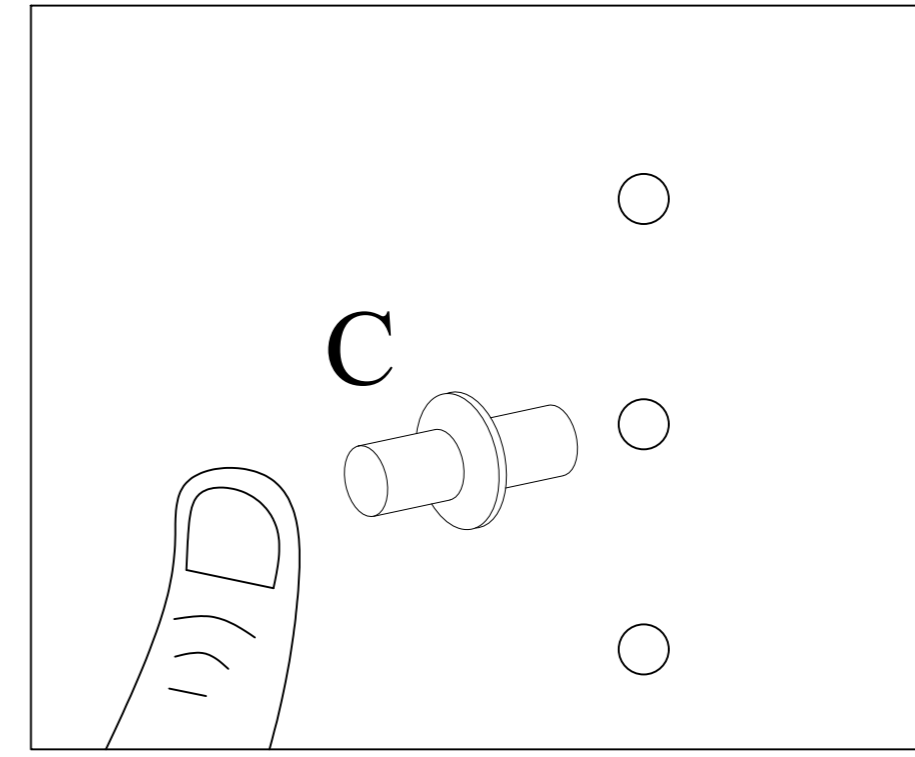
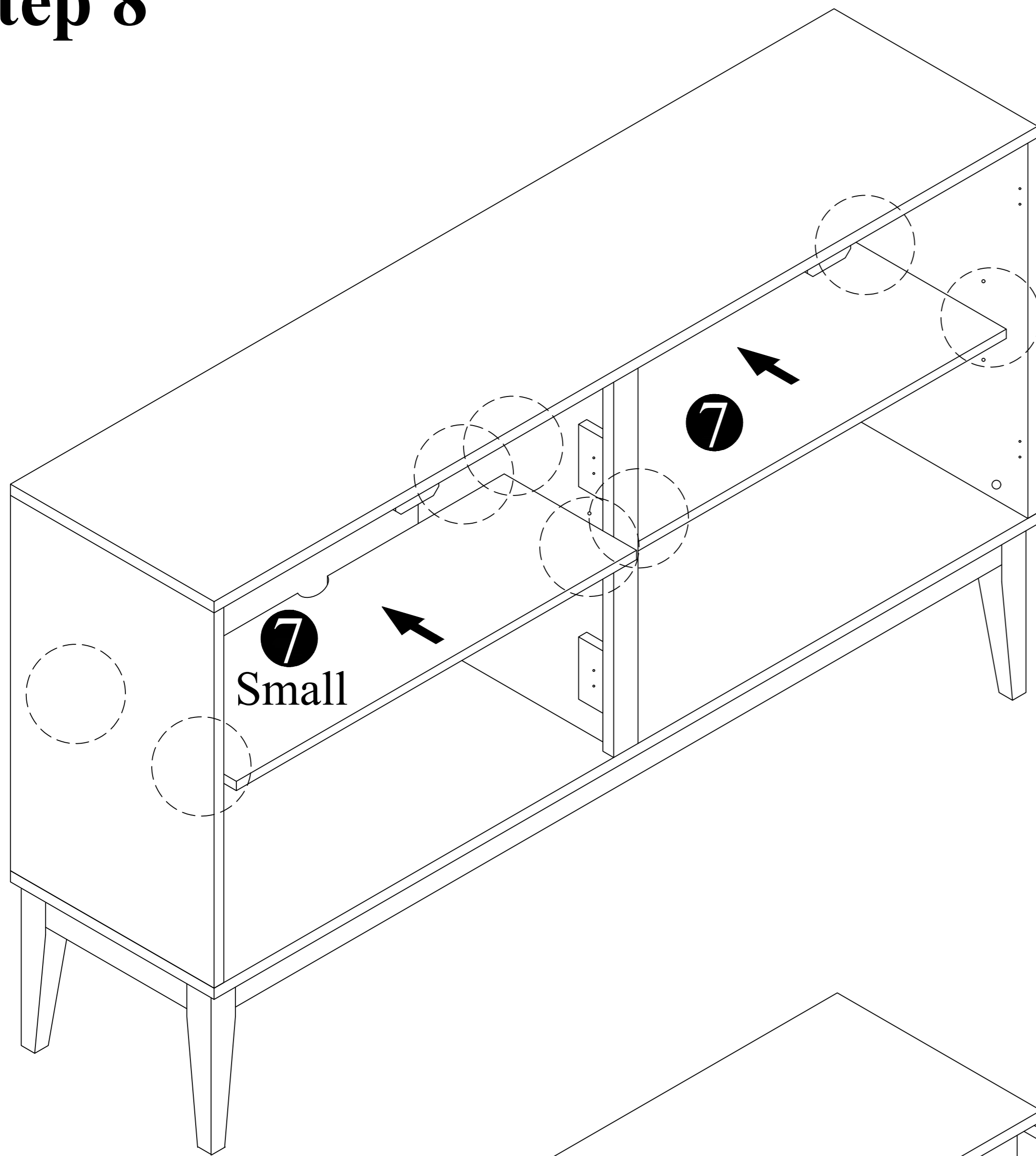
## Step 7



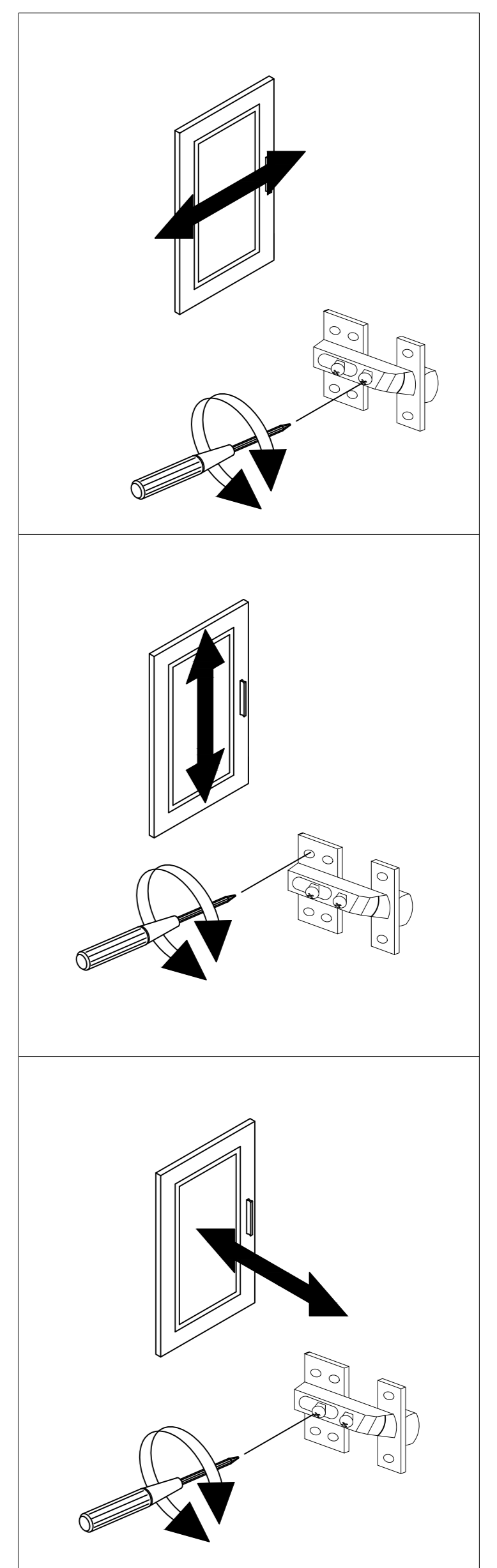
 M4*32mm
D X 12

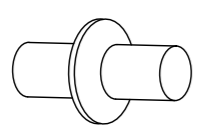
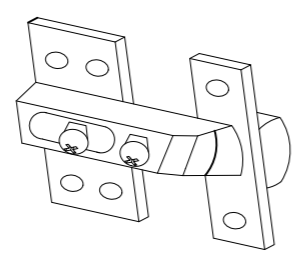
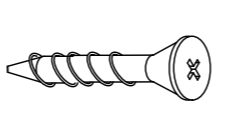
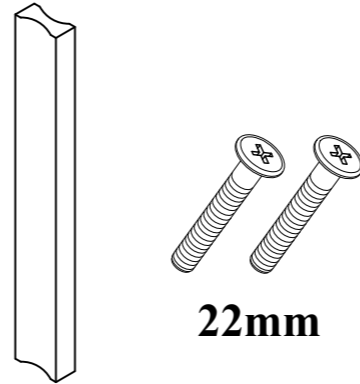
# ASSEMBLY INSTRUCTION

## Step 8



### Door Adjustment

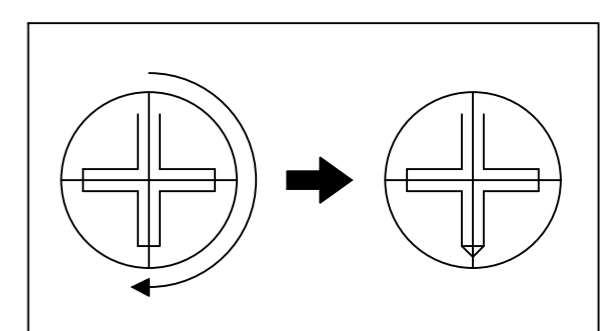
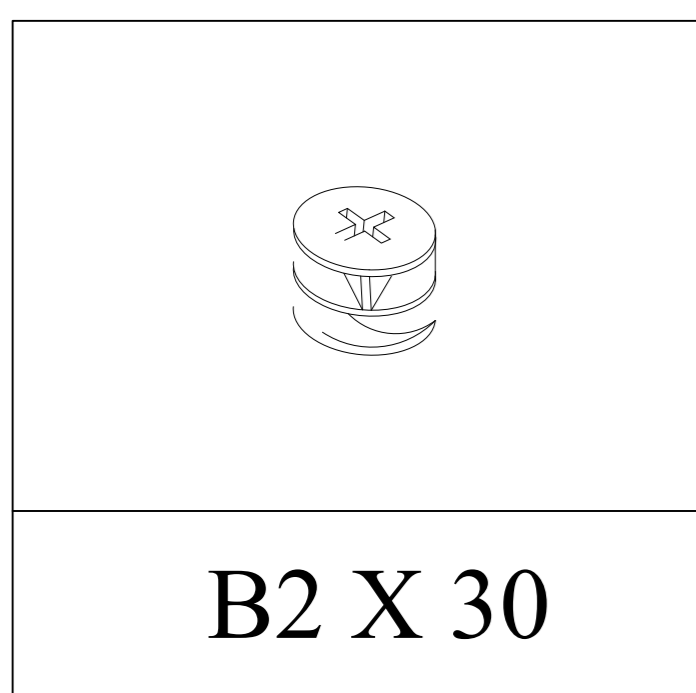
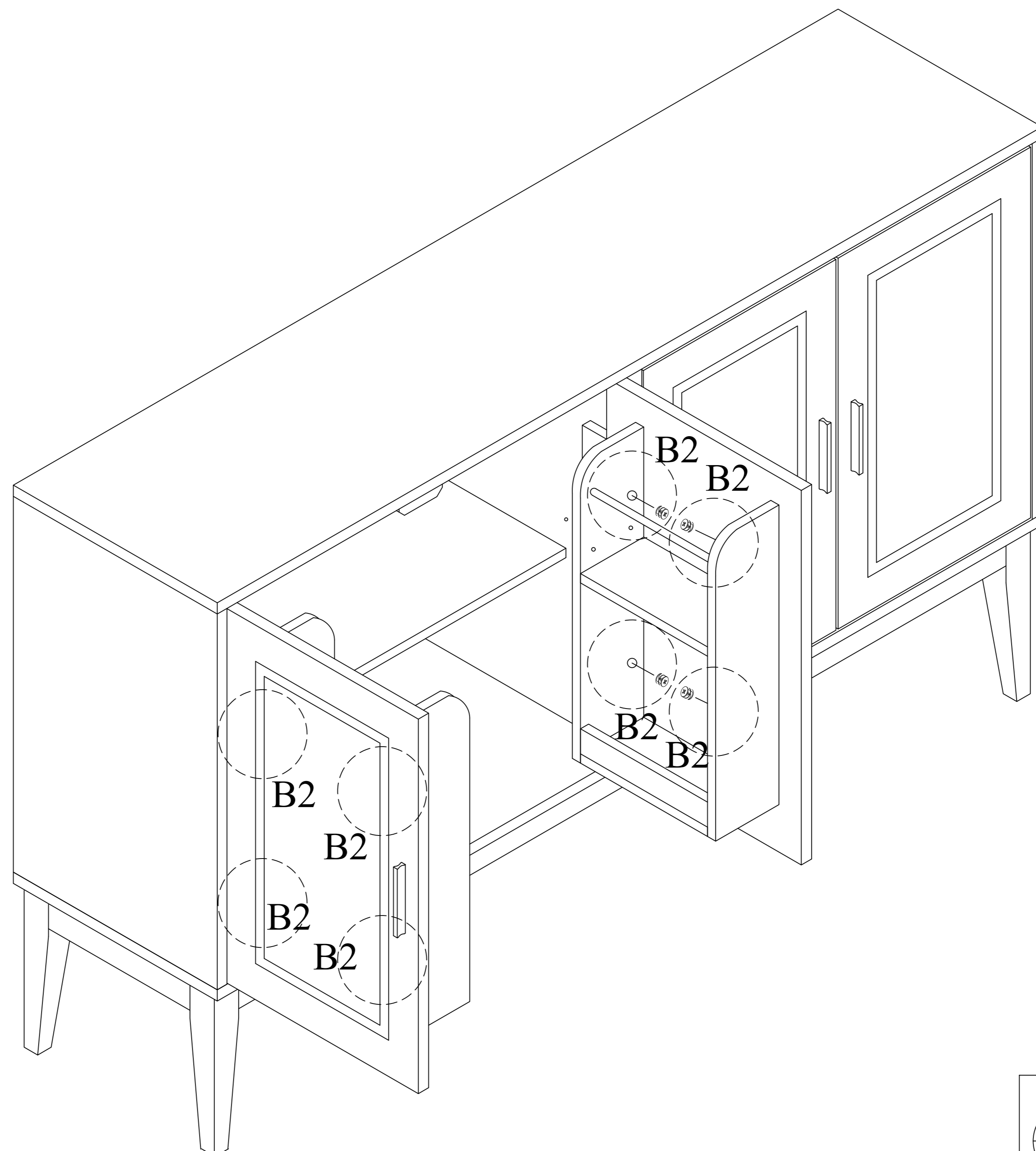
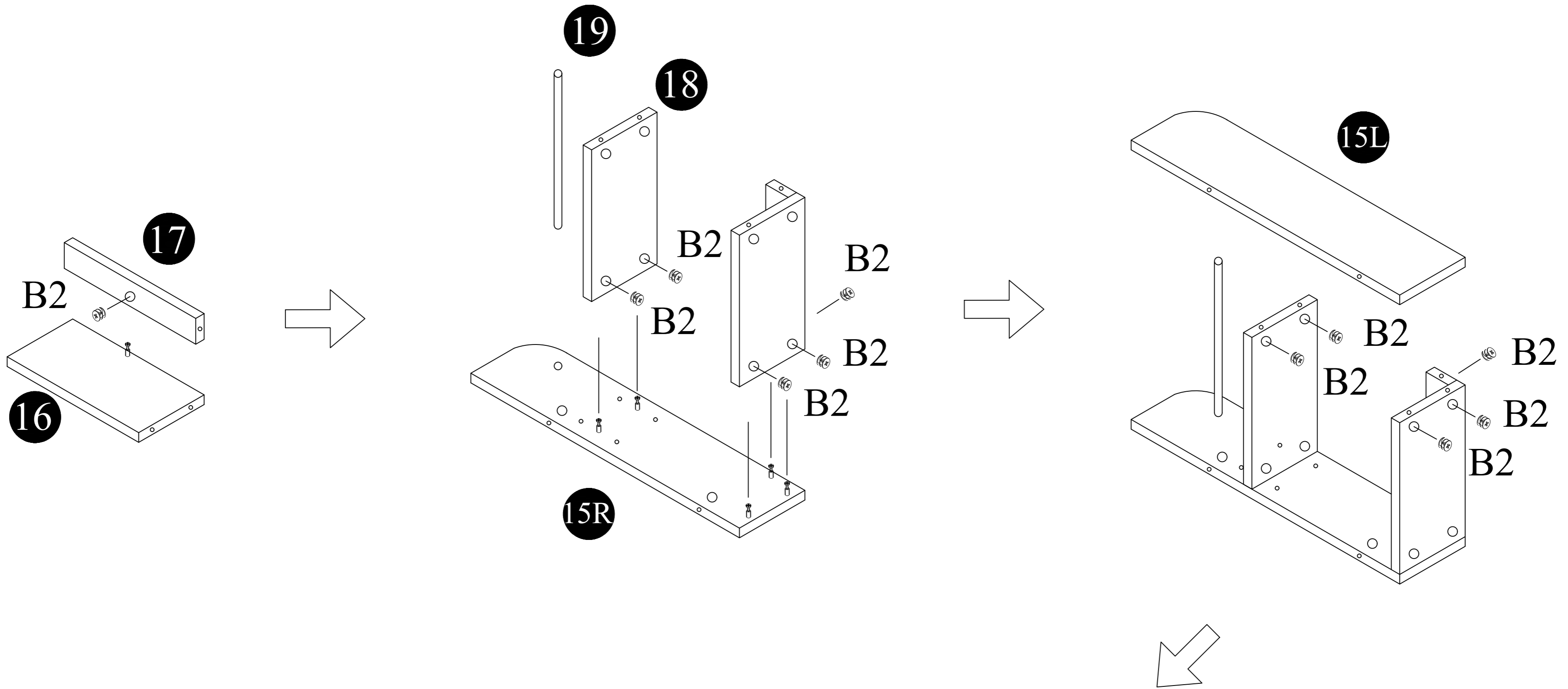


		 M3.5*16mm	 22mm
C X 8	E X 8	F X 48	M X 4

# ASSEMBLY INSTRUCTION

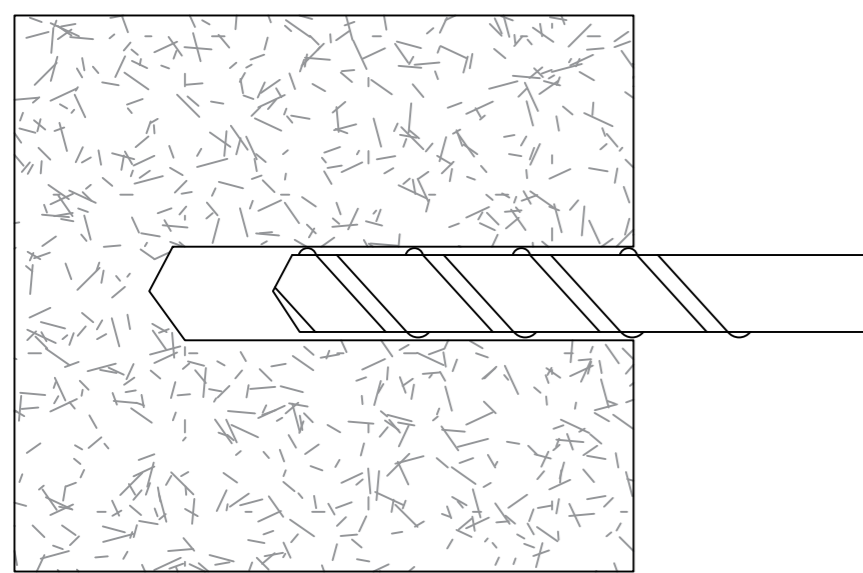
## Step 9

### Rack assembly x 2

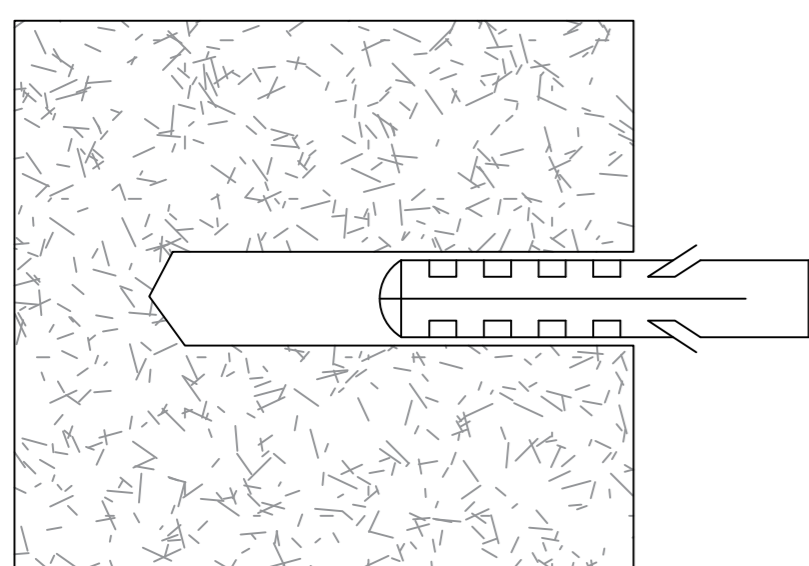


# ASSEMBLY INSTRUCTION

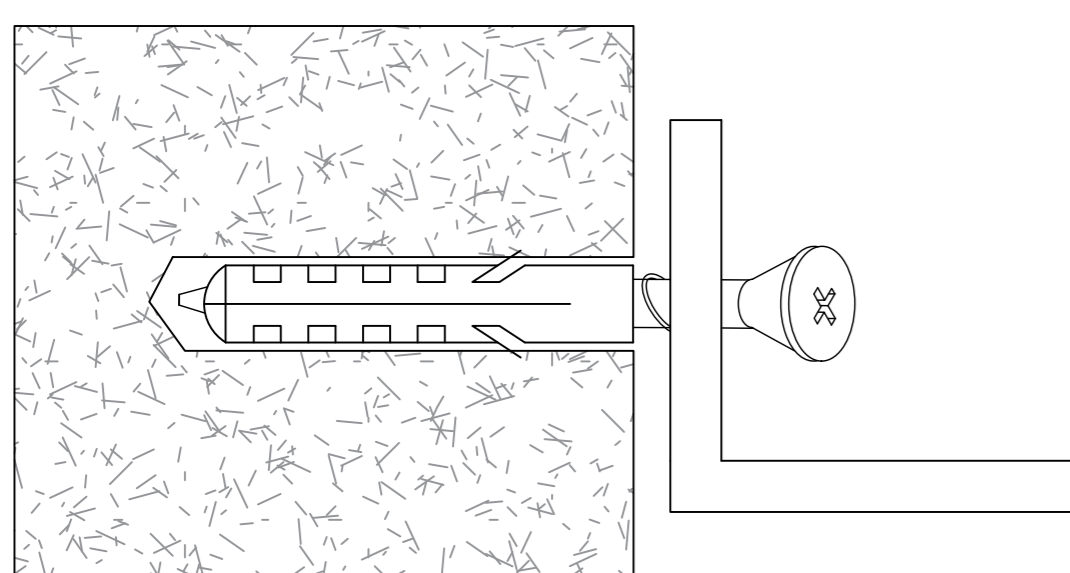
## ANCHORING CABINET



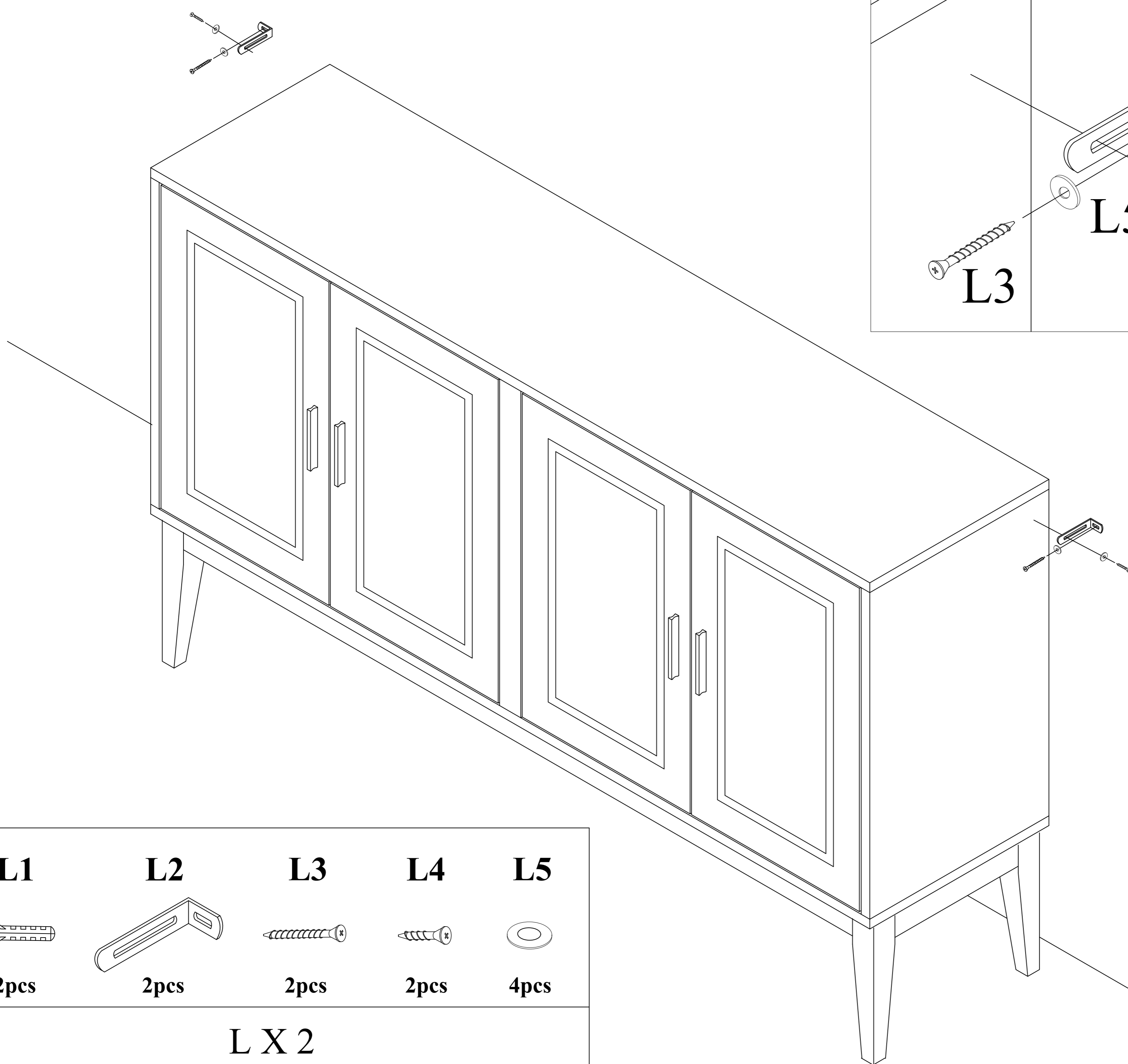
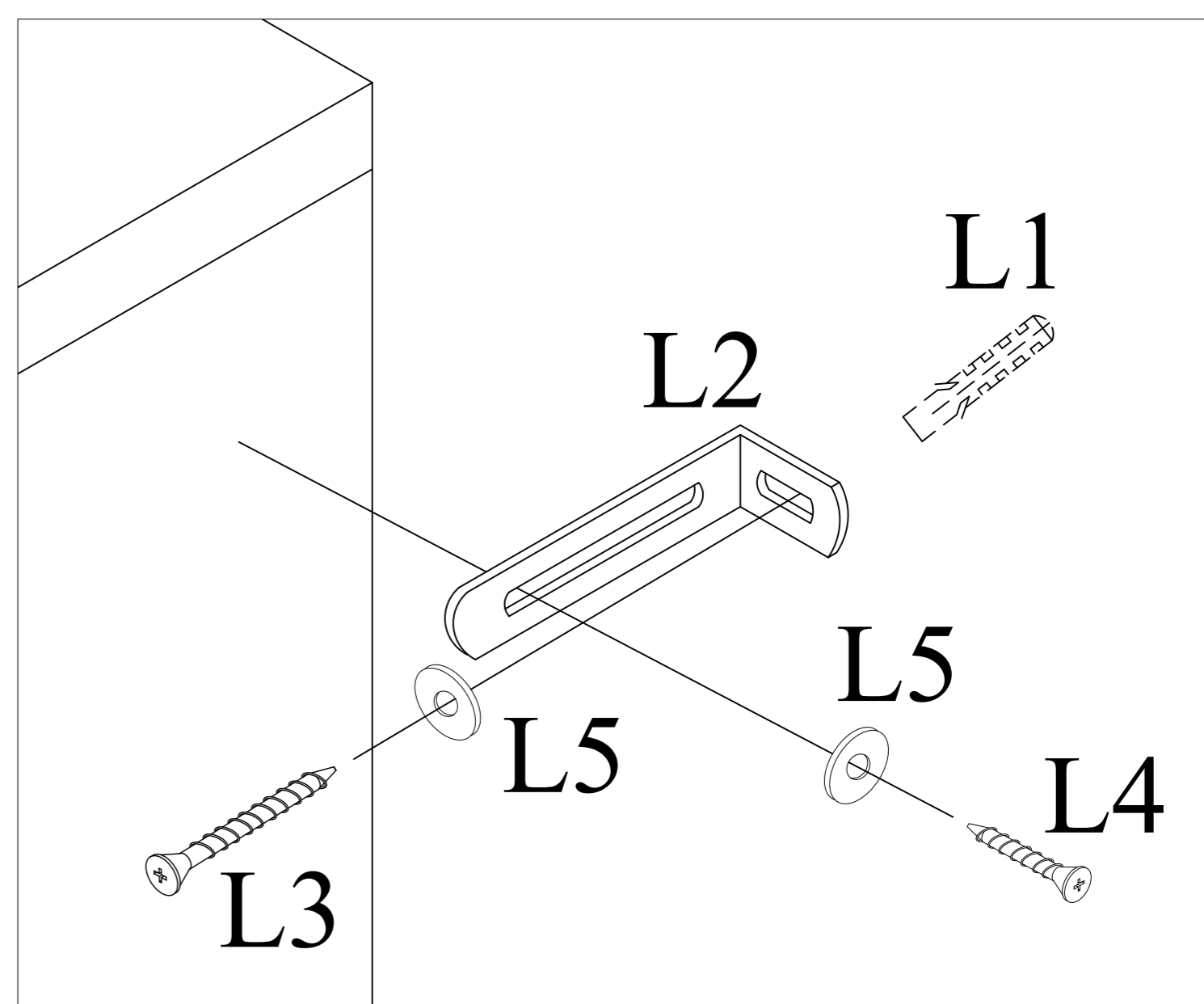
1. Use electric drill to drill a hole on the wall, the diameter and depth need to keep same with wall plug (L1) provided (4\*30mm)



2. Use a rubber hammer to knock wall plug (L1) into the wall



3. Insert the longer screw (L3) through washer (L5) & L bracket (L2) provided as shown below. Attach screw & washer (L4,L5) onto cabinet's sides to hold it.

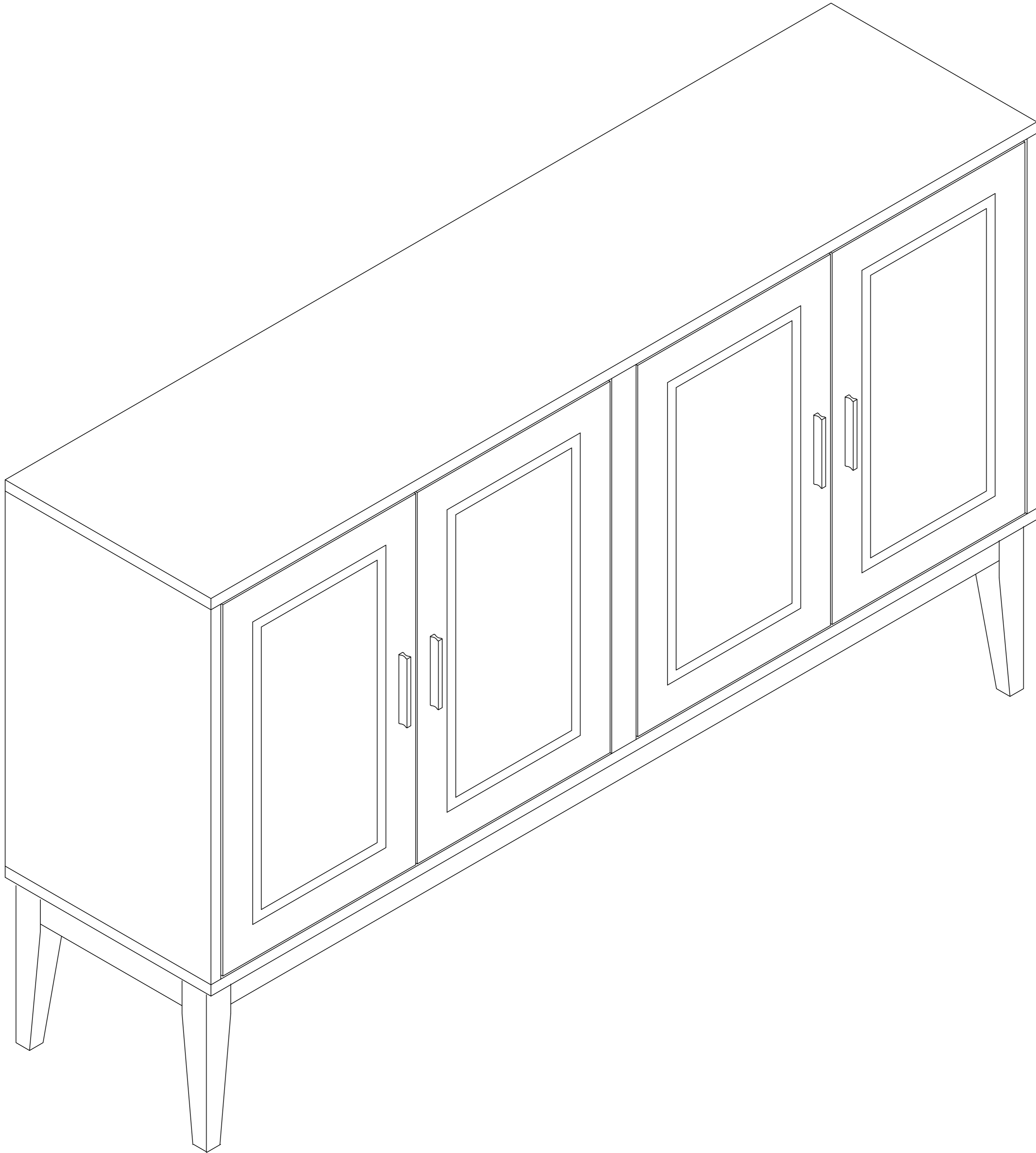


L1	L2	L3	L4	L5
2pcs	2pcs	2pcs	2pcs	4pcs
L X 2				

**WALL**

# ASSEMBLY INSTRUCTION

---



**Assembly is complete.**