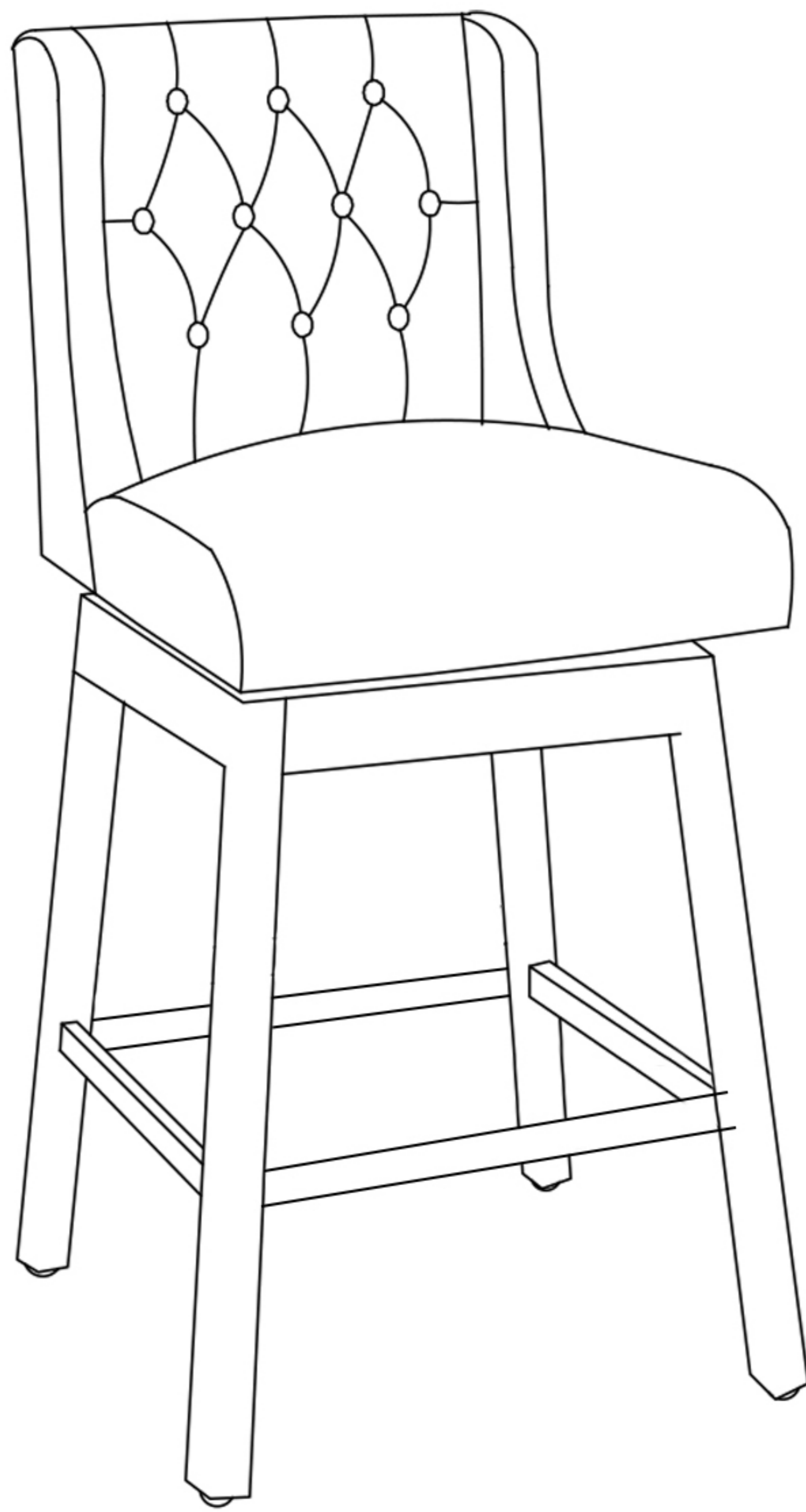


ASSEMBLY INSTRUCTION



SKU: 7151

Dear customer,

Thank you very much for buying our items.

Please read the assembly instruction carefully before assembly.

Notices:

- Verify that all parts are present and in good condition before assembly.
- Put the chair on a clean flat surface.
- Make sure to use 8 screws (D) to fix the legs, and 8 screws(E) to fix the bars.
- Please tight the screws about 80% for the first step;
Then, sit with caution on the chair to adjust the balance of the frame;
Finally, tighten the screws completely 100%.
- If you find that four legs are unlevel after assembly, you can use adjustable pegs to keep four legs level.

Contact us

If there are installation problems, damage, missing parts, or any questions and concerns, please contact the shop where you bought it so we can make things right.

If the product is damaged,

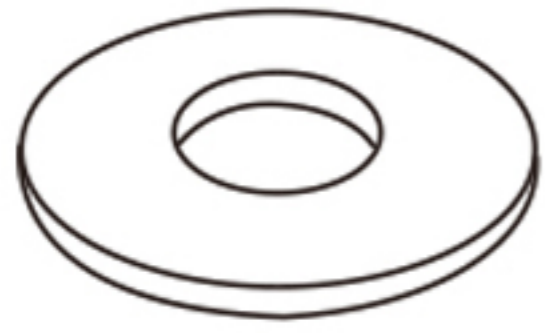
please send the following information:

- Photos that show the reason for your claim/damage.
- Photos of the packaging (inside and outside).

Thank you very much for your support!

Package Contents

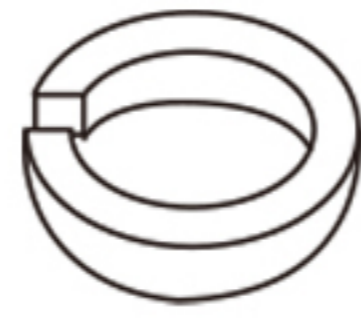
A×8



φ8

Flat washer

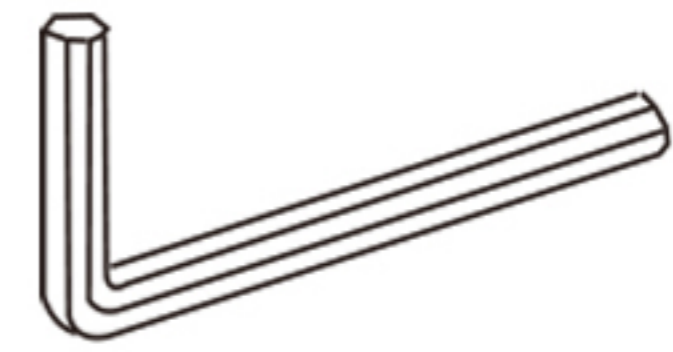
B×8



φ8

Spring washer

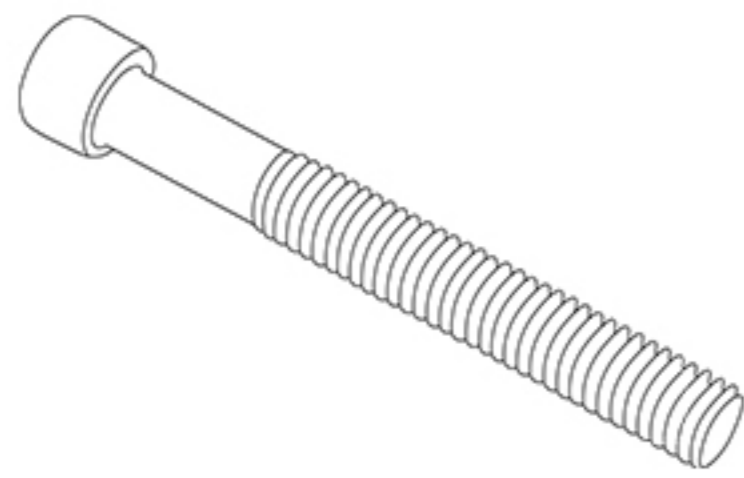
C×1



M8

Spanner

D×8



M8x60mm

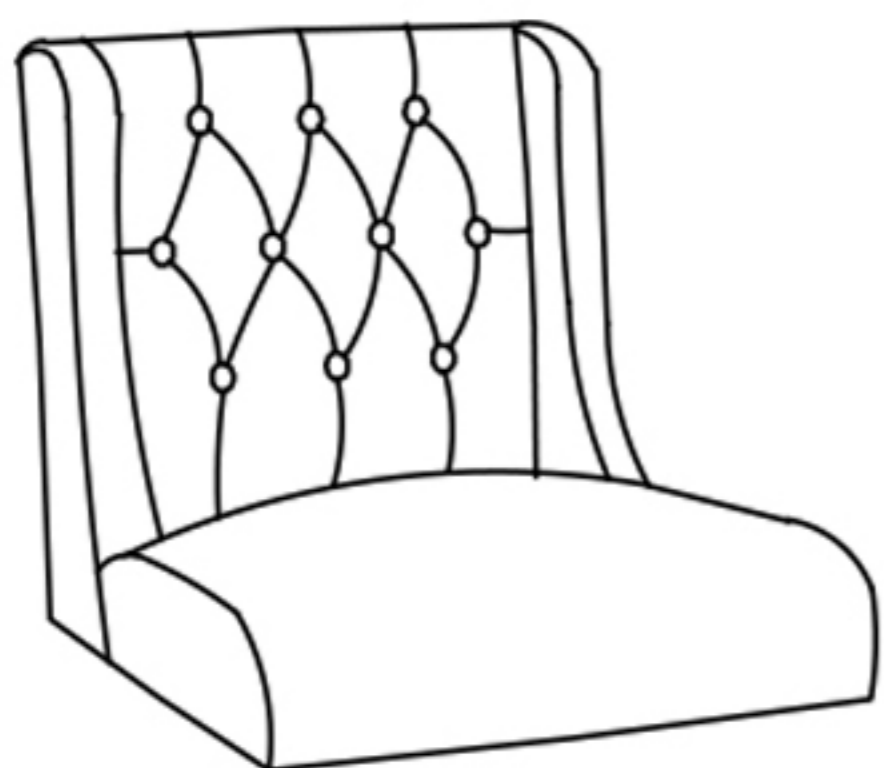
Screws

E×8



M4.5x45mm

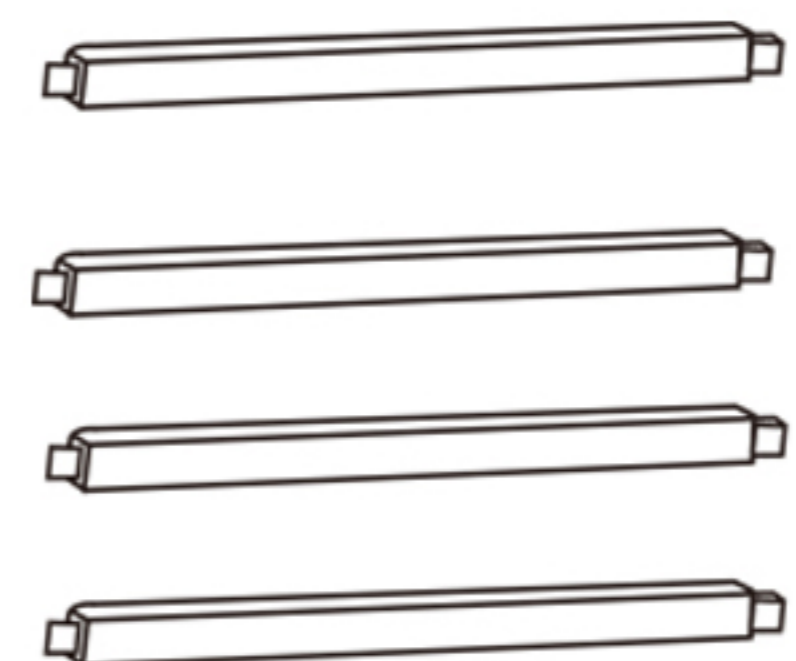
Screw



Seat



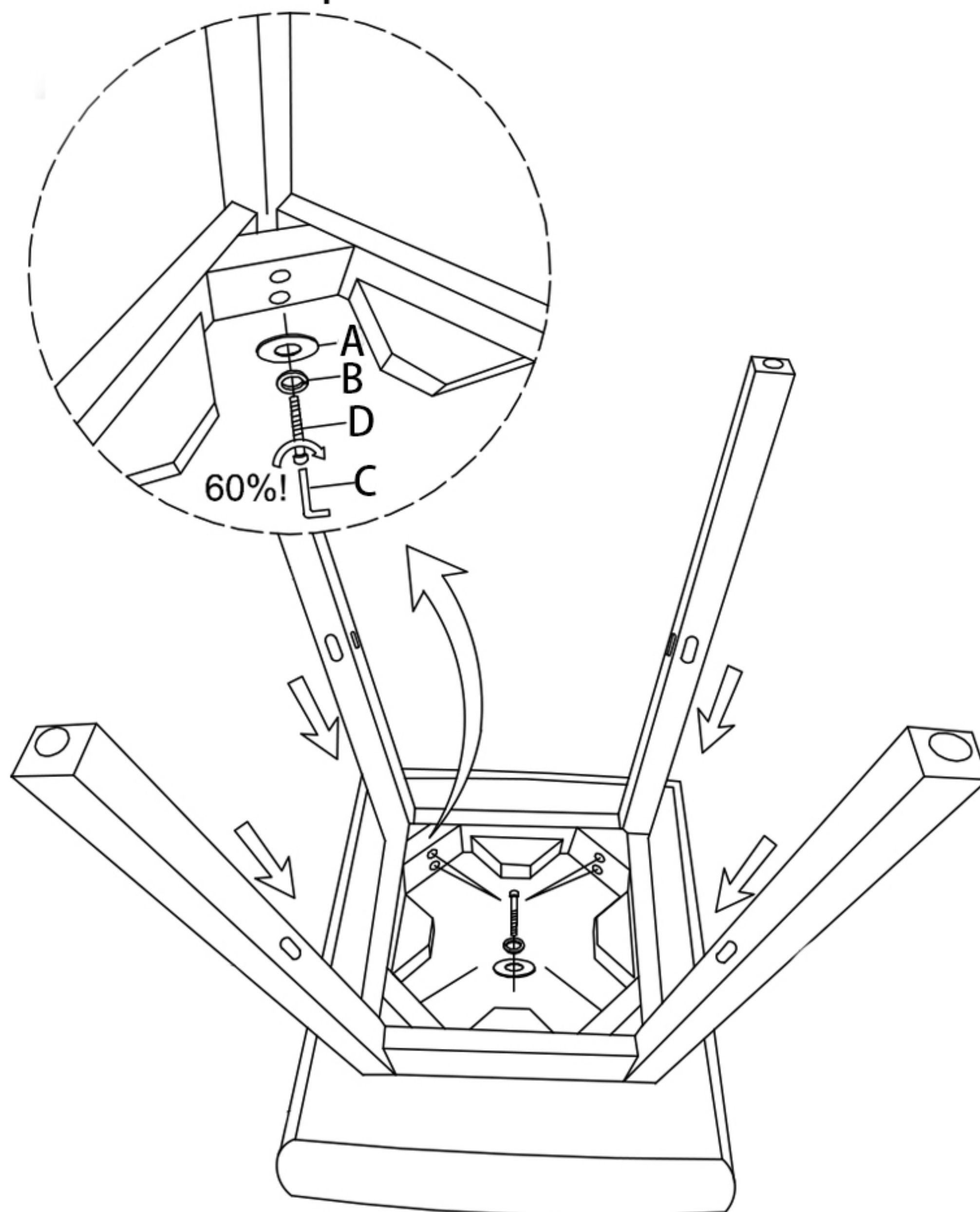
Legs



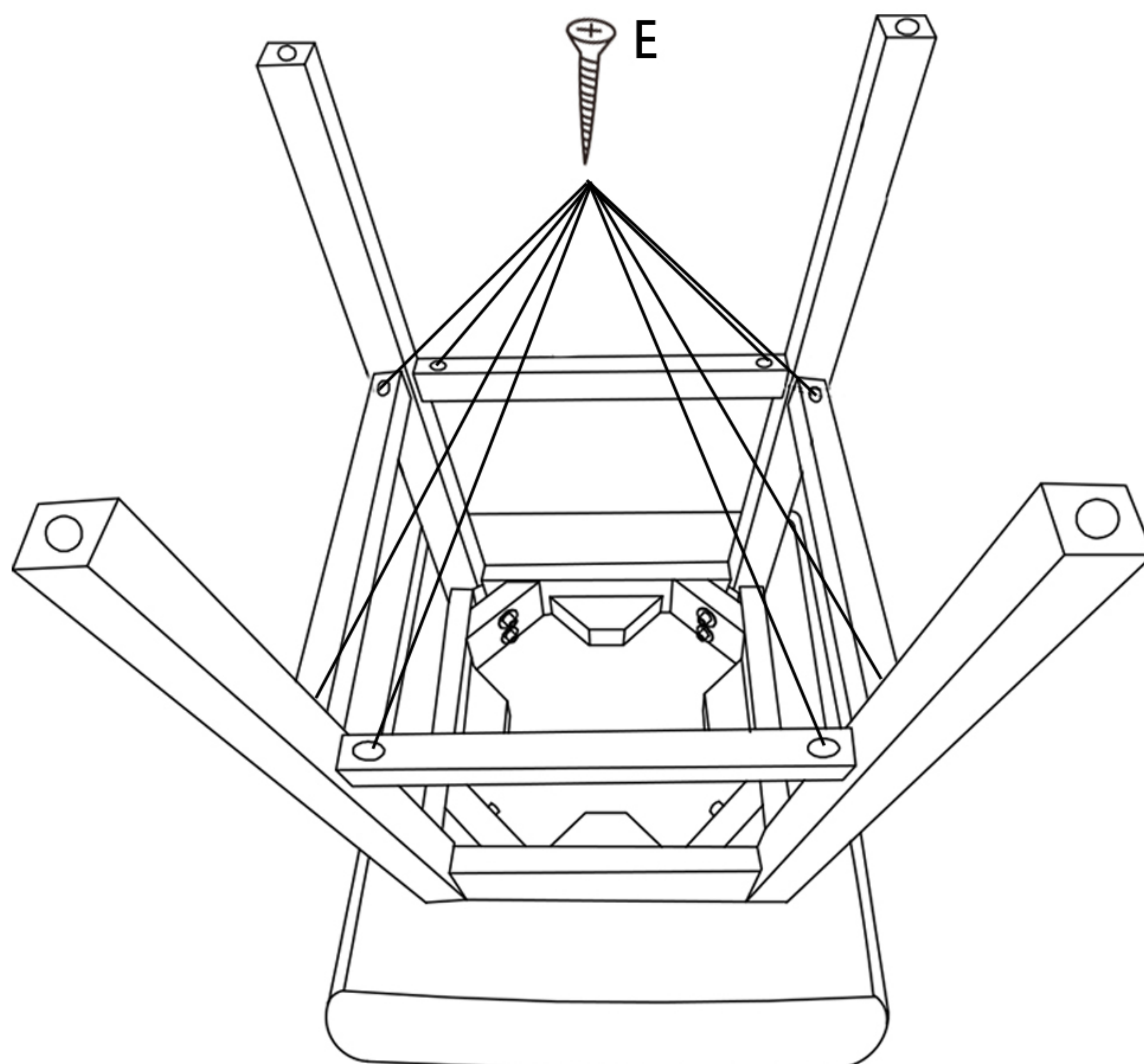
Bars

Step by Step Guide

- 1 Taking the legs by using screw (D) with washer (#A,B). Just tighten the screws up to 60%-80%.

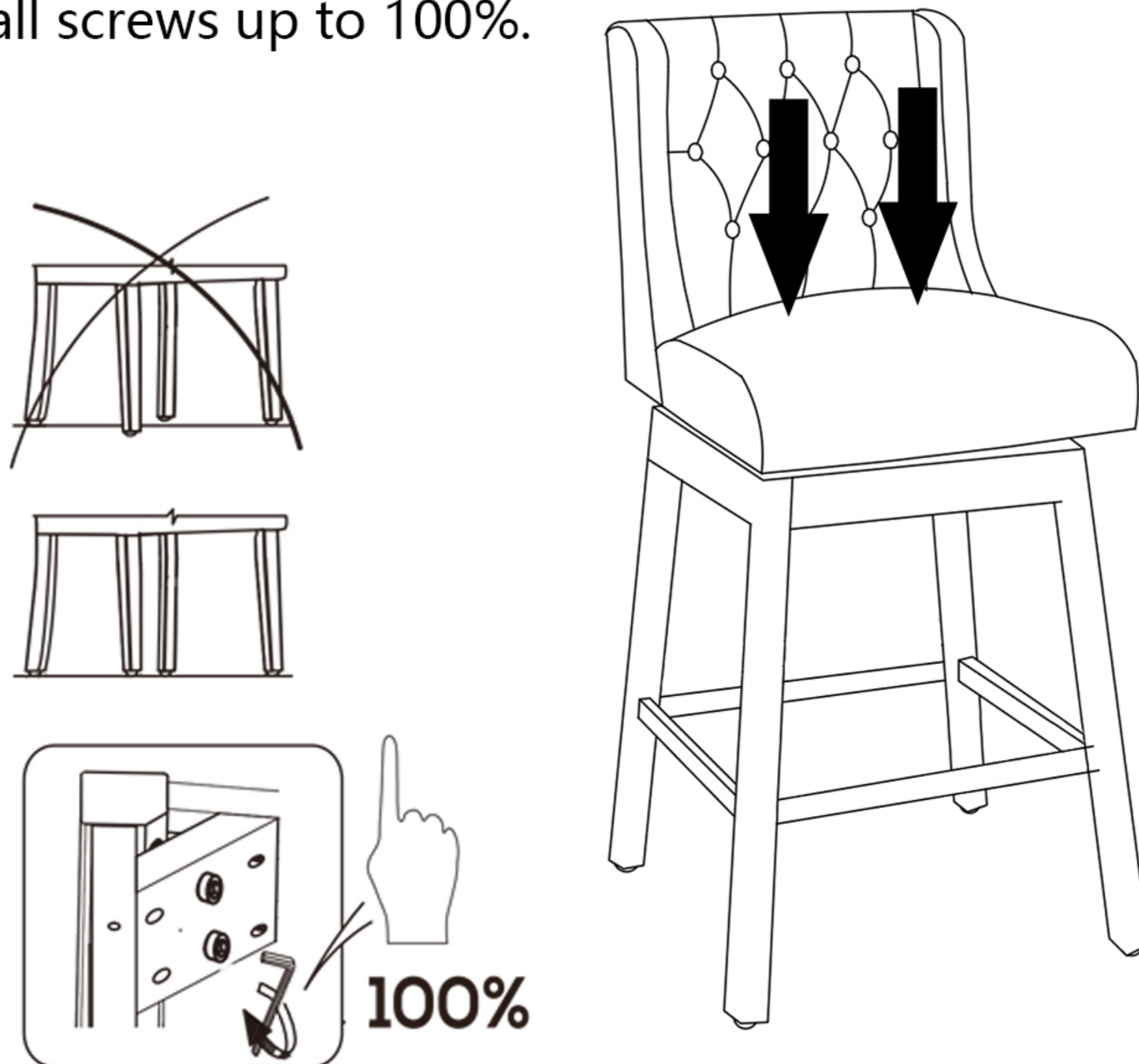


- 2 Taking the bars to align the holes of the leg. And use the screw(E) to fix. Just tighten the screws up to 60%-80%.

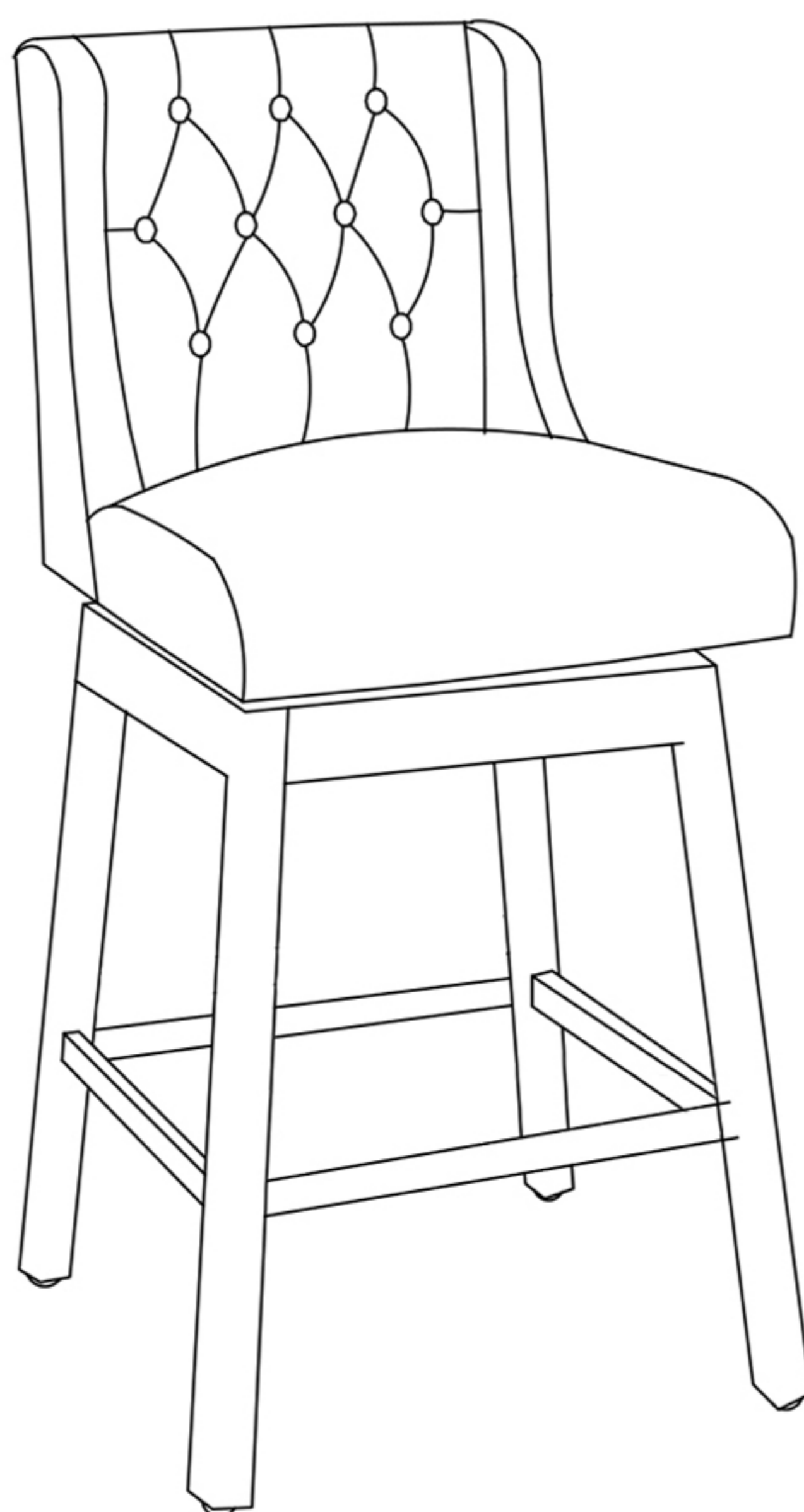


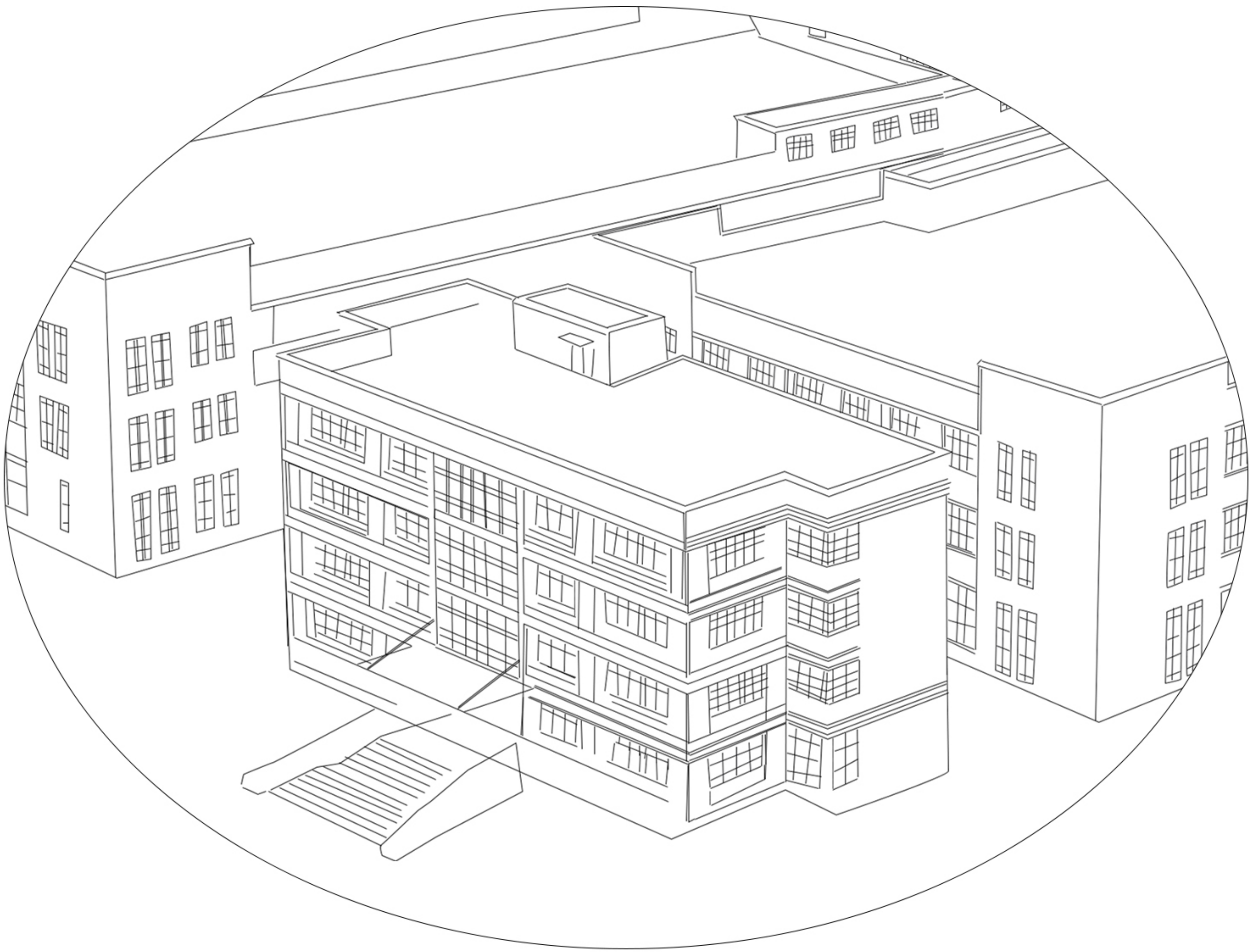
- 3** SIT ON THE CHAIR, be sure that all 4 feet touch the ground and chair is leveled.

Tighten all screws up to 100%.



- 4** Check the chair remains level when tightening.





About us

We are a professional manufactory for making and selling dining chairs. In the past 15 years, we have exported millions of chairs to Europe and USA.

We focus on providing you with high-quality products that meet international standards. To ensure timely shipping, we have built large warehouses in California, New York, and Georgia.