



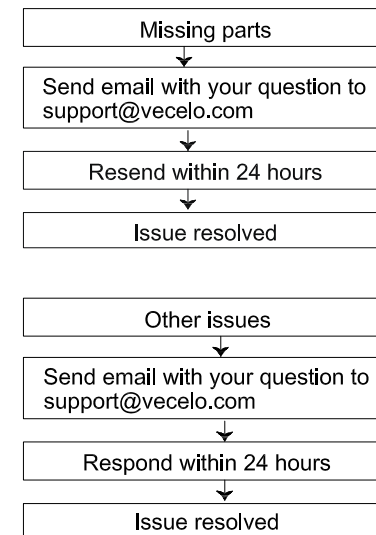
Tips!

Check all the components & screws before assembly. **Do not install in case part is missing, contact us to get.** Send email with your question to support@vecelo.com. We will resend within 24 hours.

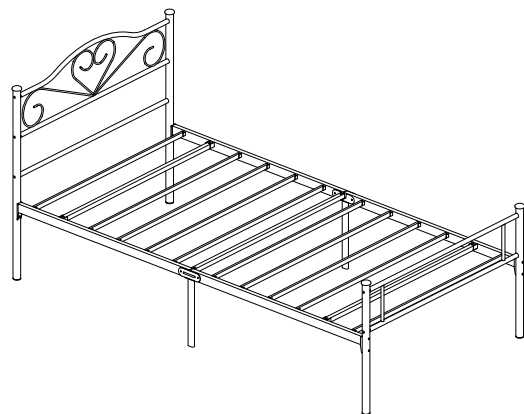
Return Policy

We believe you will absolutely love your new item. But if for some reason you want to return, please contact us directly before you decide to return your product. Our customer service organization can answer most concerns and assist you with any questions you may have about your new item, please email us first at: support@vecelo.com. The item must be returned within 30 days of delivery for a full refund. The item must be returned in good condition, in original box, with all original proof of purchase, parts and accessories.

Trouble shooting:



We control manufacturing and distribution ourselves, ensure the quality.



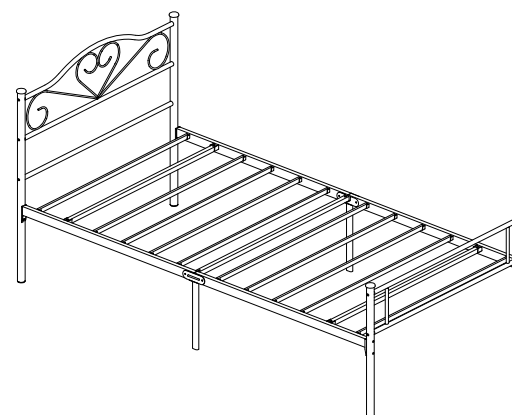
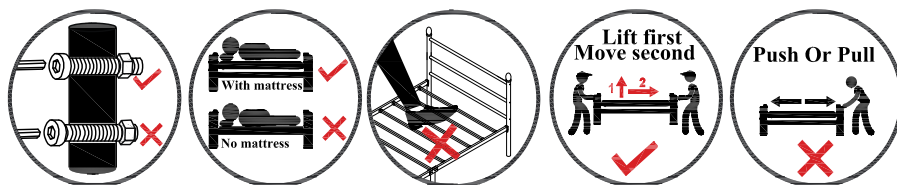
Bed Frame

How to find us?

Email: support@vecelo.com

Website: www.vecelo.com

CAUTIONS!

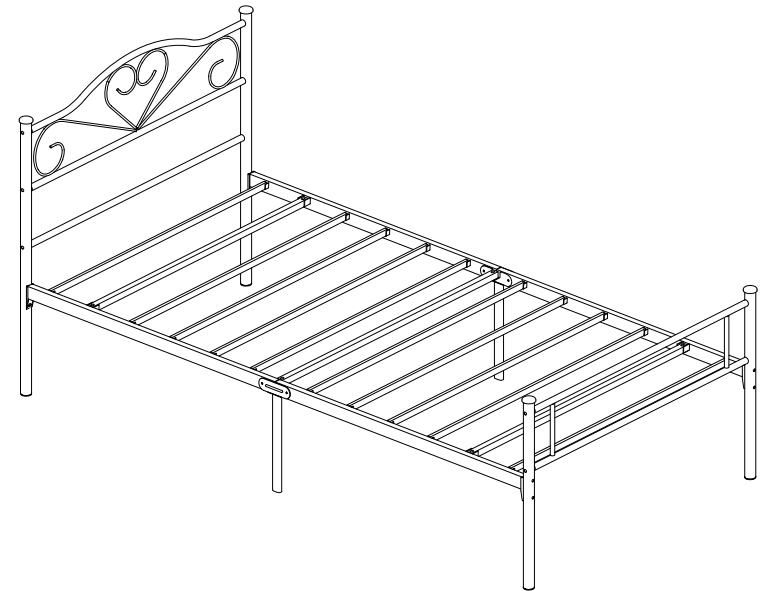
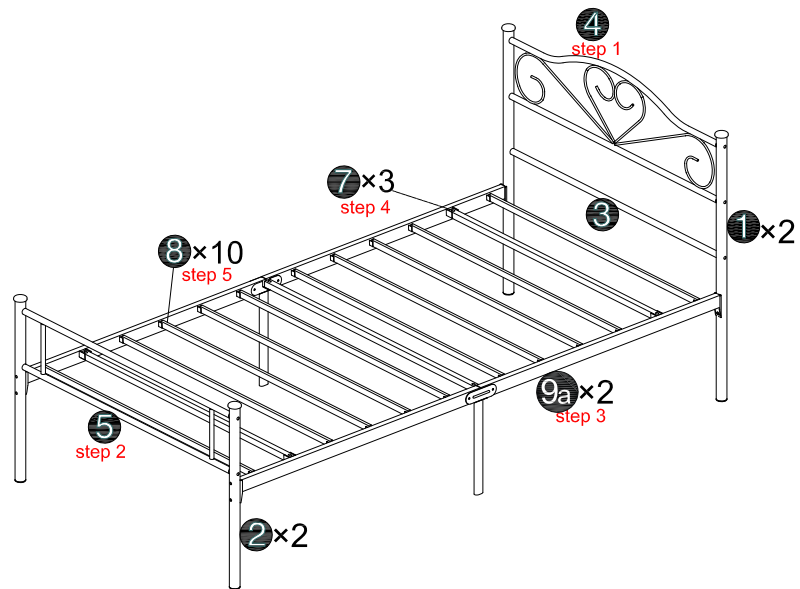


Item Description: Bed Frame

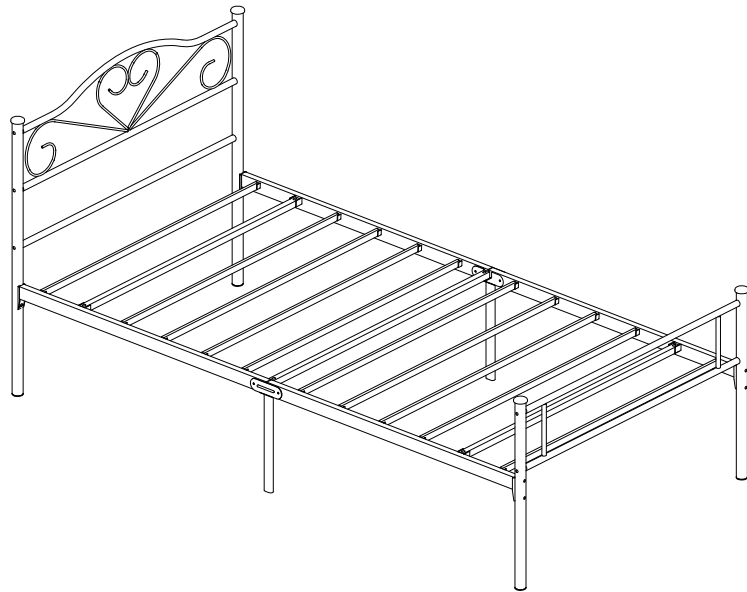
Model NO: DX-NO.2

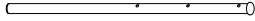
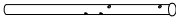



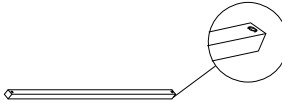
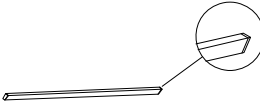

#Number System

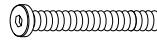






Follow the marked steps for the easiest assembling process
step 1 step 2 step 3 step 4...



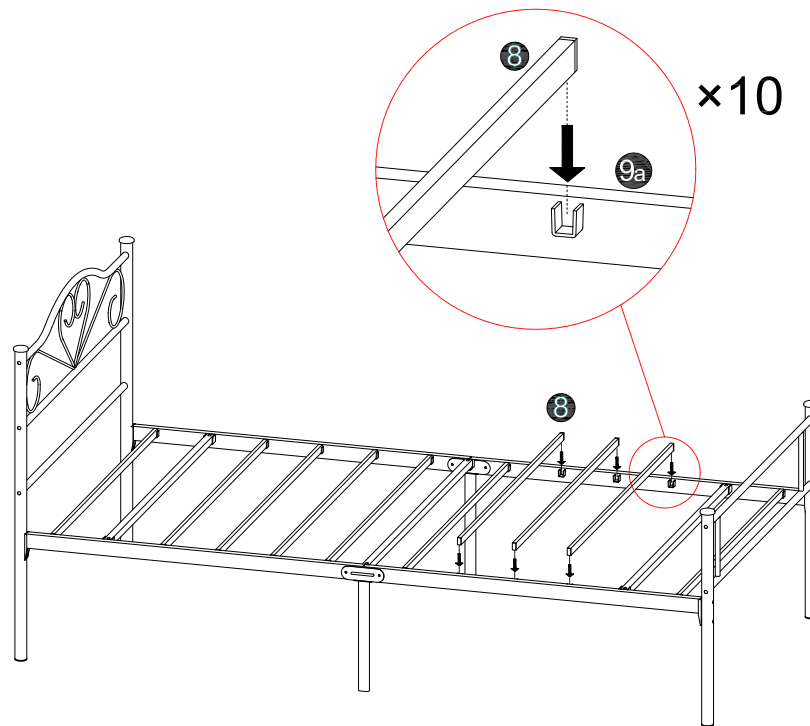
Note:
Check and tighten all screws



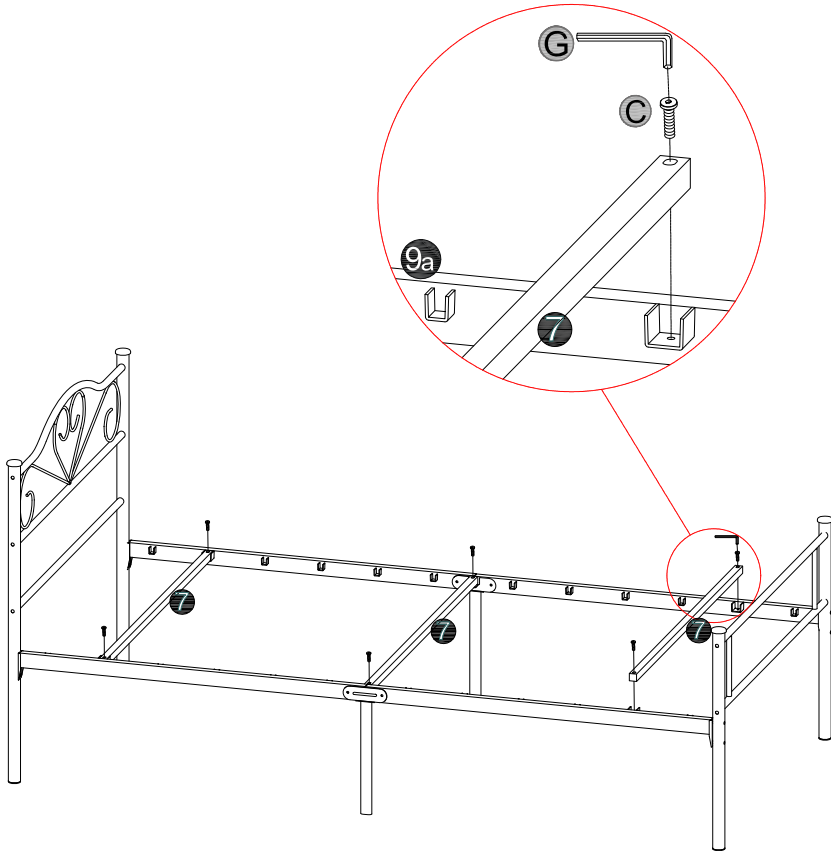
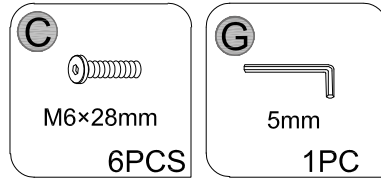
Components					
1		2pcs	2		2pcs
3		1pc	4		1pc
5		1pc	7		3pcs
8		10pcs	9a		2pcs
	Without Screw Holes			With Screw Holes	

<p>A</p>	 <p>M8×45mm</p>	<p>8pcs</p>	<p>B</p>	 <p>M6×45mm</p>	<p>10pcs</p>
<p>C</p>	 <p>M6×28mm</p>	<p>6pcs</p>	<p>D</p>	 <p>M8</p>	<p>4pcs</p>
<p>E</p>	 <p>φ8.5mm</p>	<p>18pcs</p>	<p>F</p>	 <p>M13/M10</p>	<p>1pc</p>
<p>G</p>	 <p>5mm</p>	<p>1pc</p>			

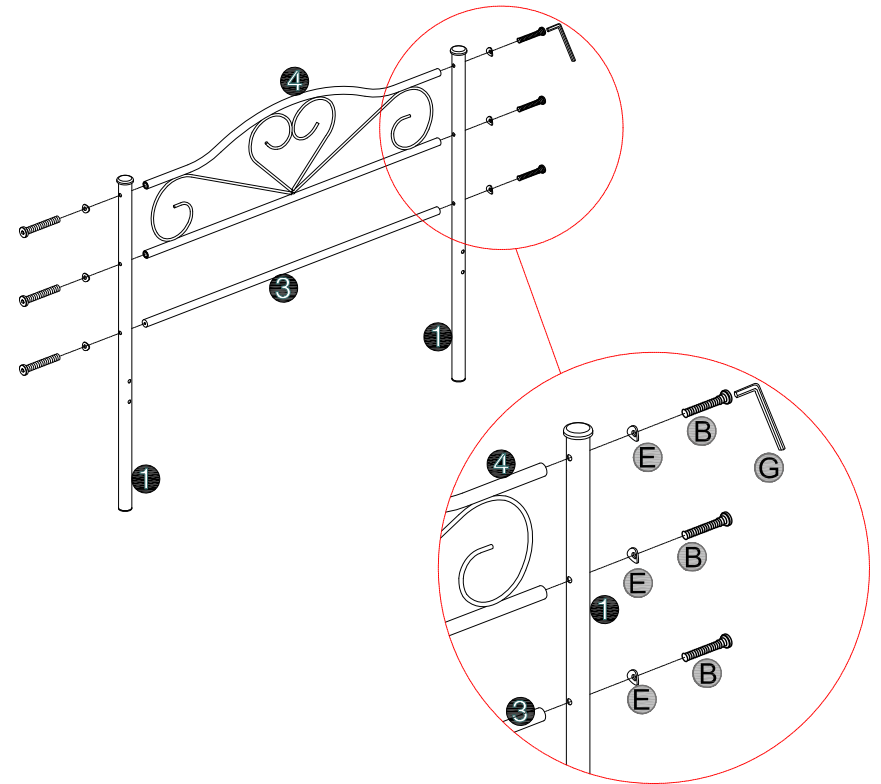
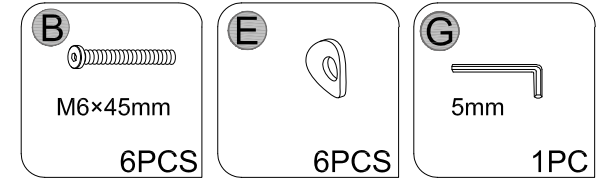
Step 5:



Step 4:

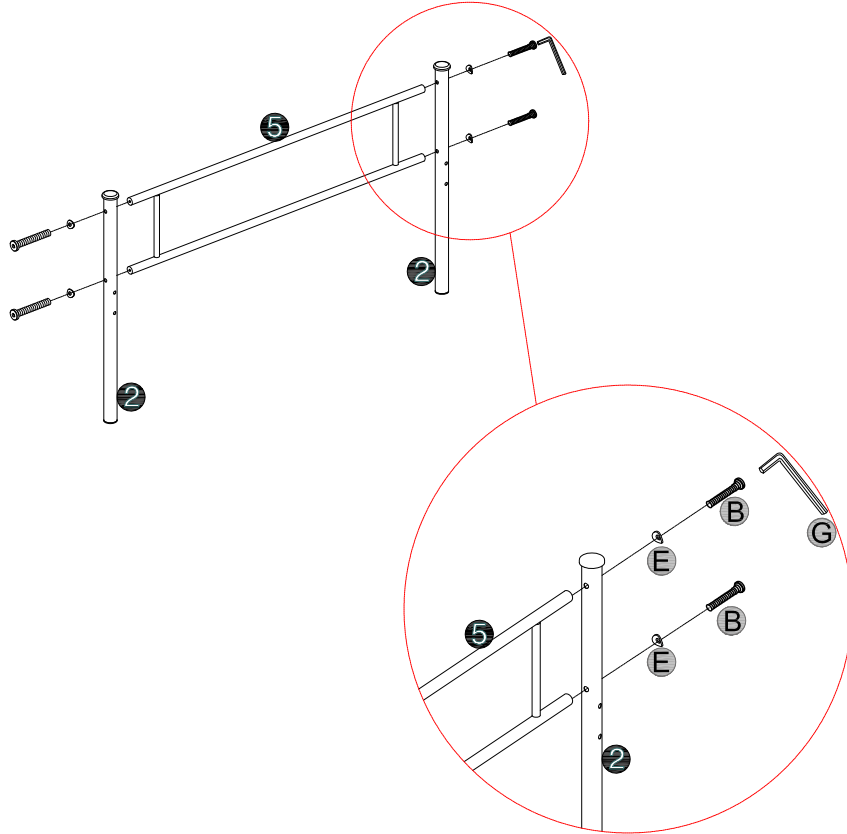
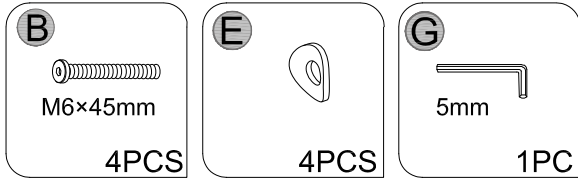


Step 1:



Note: For easy setup intention, do not tighten screws during the installation process

Step 2:



Step 3:

