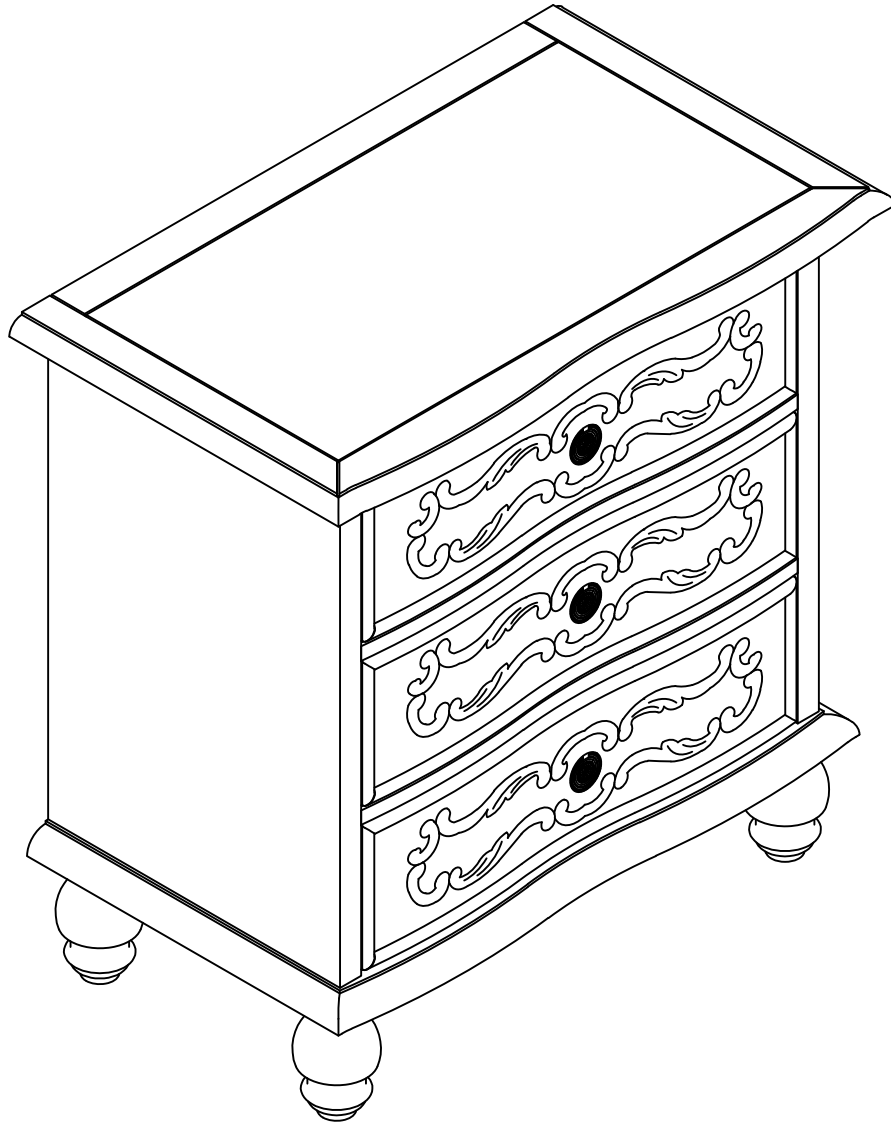


Owner Manual

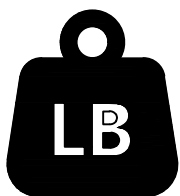


NOTE:

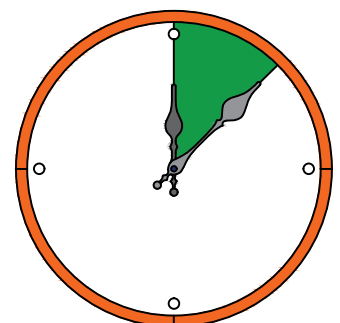
This brochure contains IMPORTANT safety info. Please read and keep for future reference.

MAINTENANCE AND WARNING

- 1.Keep furniture away from heat sources.
- 2.Do not clean furniture with harsh cleaner or polishes.Do not use detergents,solvents,abrasives,spray packs or leather cleaner. Use non-color mild soa with warm water to clean spills(Mix 1:10 soap to water).
- 3.Do not place furniture under direct sunlight,material will possibly fade over time.
- 4.Do not use on site dry cleaning machine.Children should not climb or jump on the furniture.
- 5.Do not write on furniture that is not protectedby a padded barrier.
- 6.Not for commercial use,only for residential use.

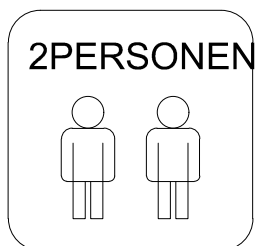
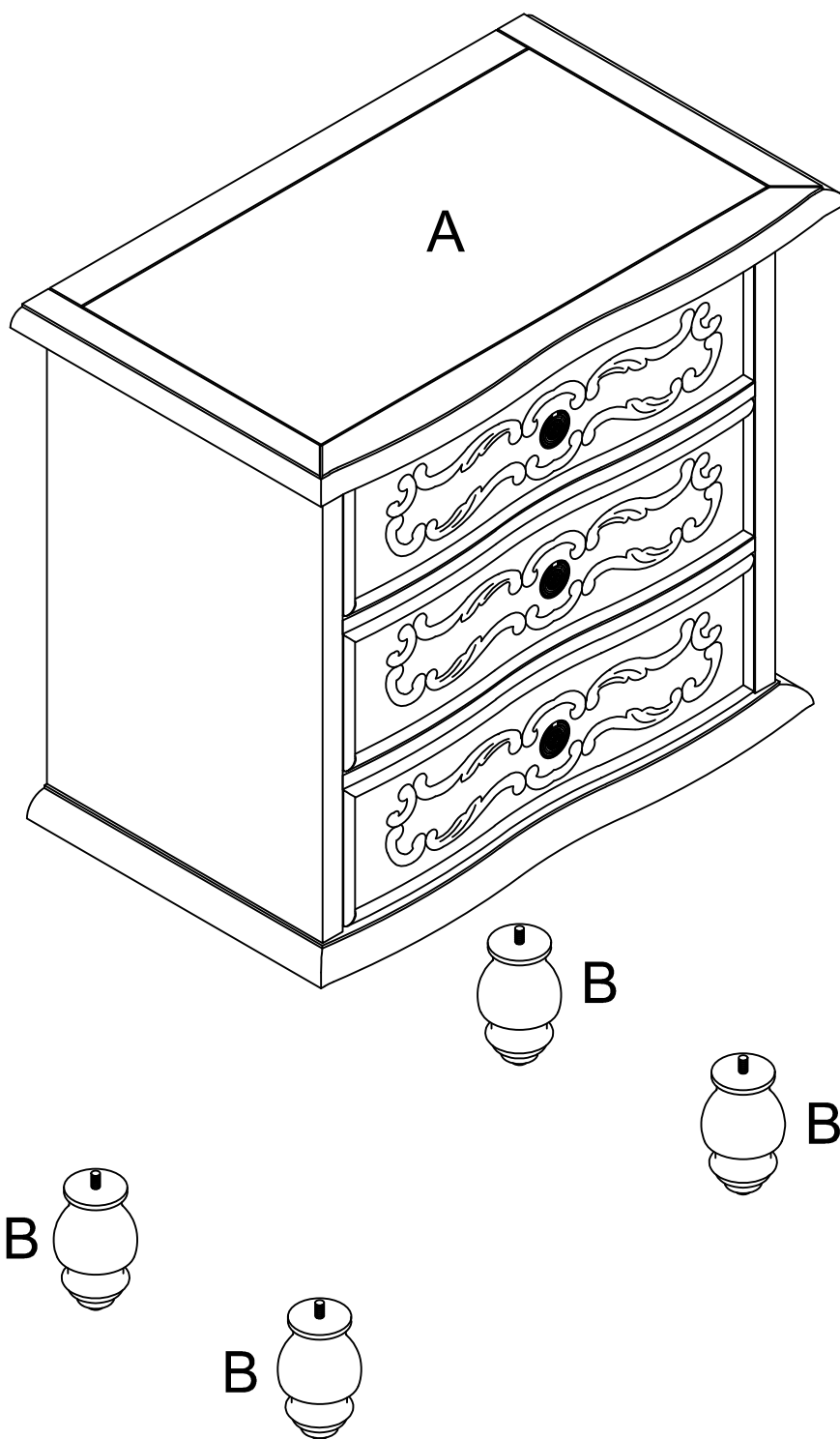


Weight Limitation
80 LBS



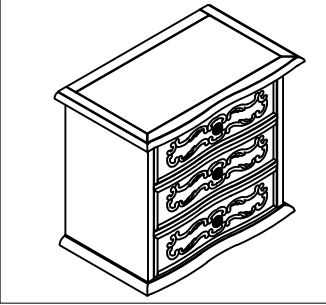
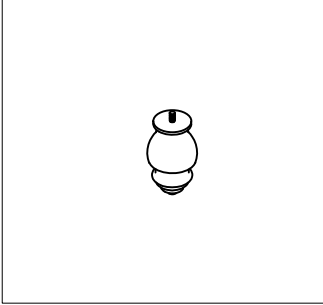
Around **15** min

EXPLOSIVE VIEW

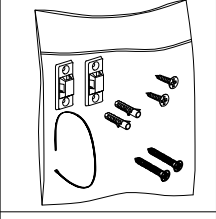


OVERVIEW

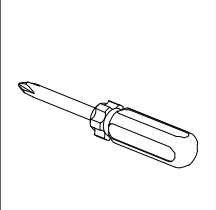
PARTS LIST 1

A	x1	B	x4
			

HARDWARE LIST

#1	x2
	

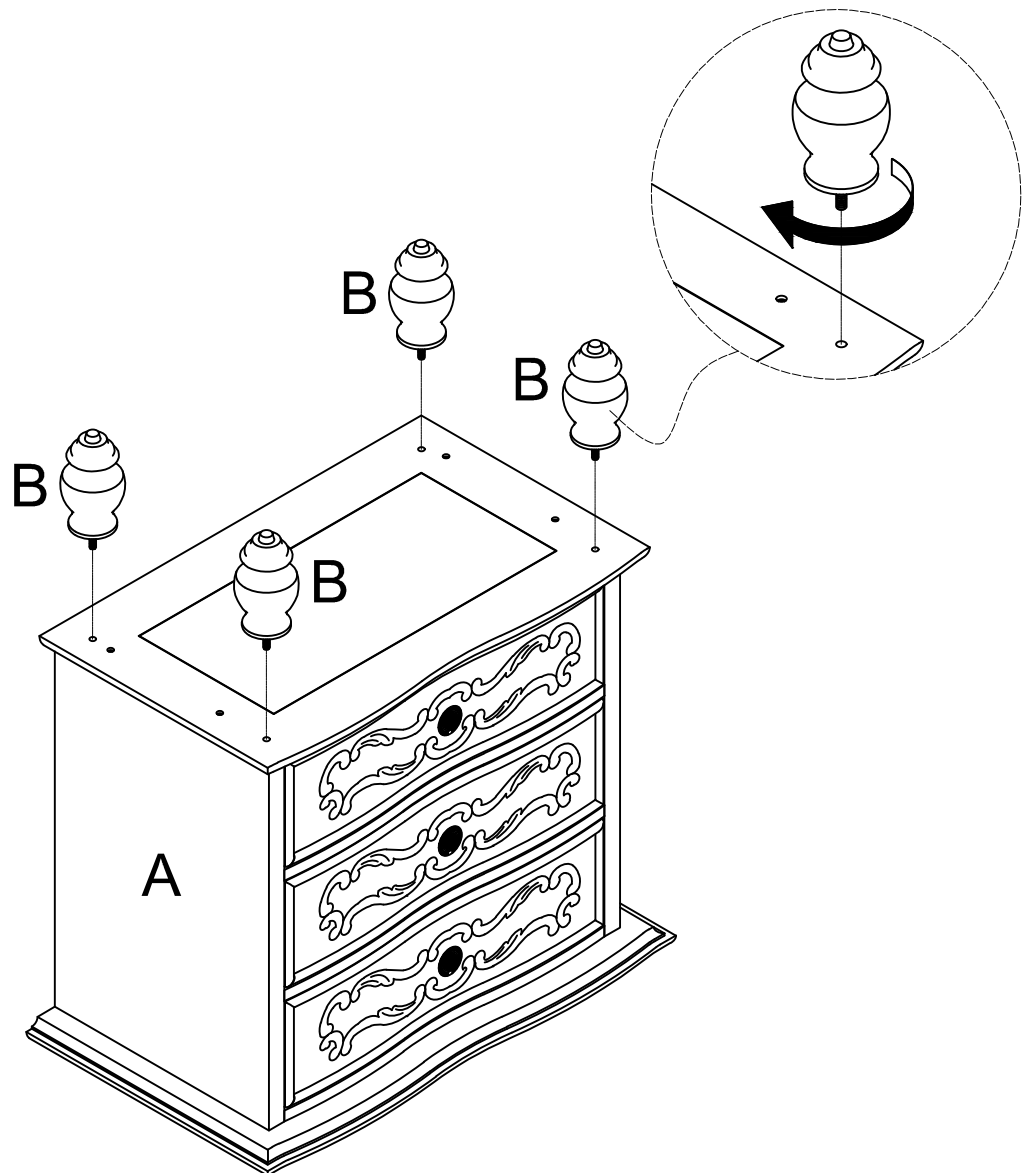
TOOL LIST

#2	x1
	

ASSEMBLY INSTRUCTIONS

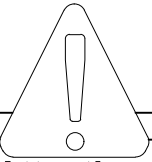
STEP-1

1. Insert part (B) into the corresponding hole of part (A) as shown in the figure.

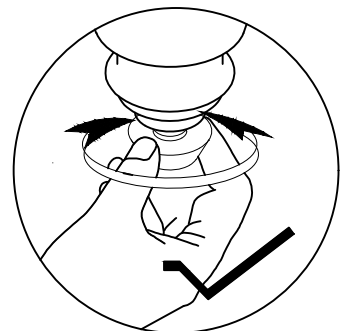
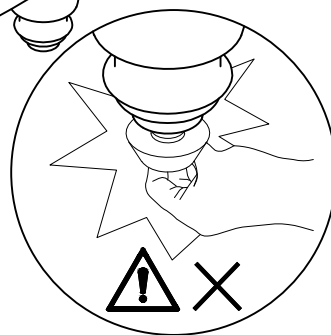
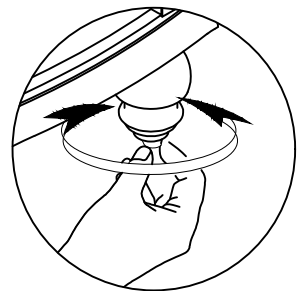


ASSEMBLY INSTRUCTIONS

STEP-2

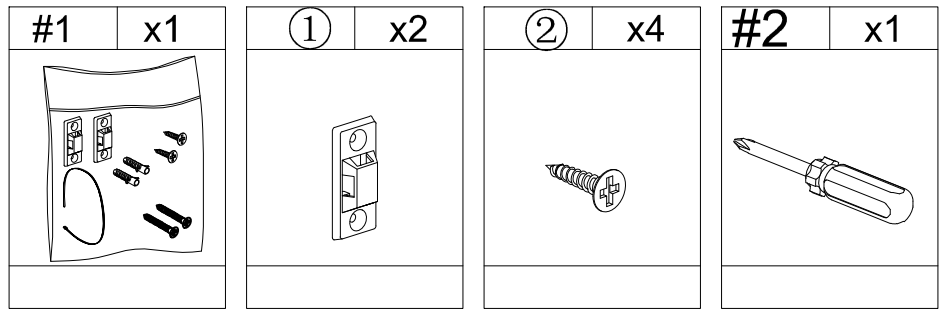


Attention:
After installation, adjust the adjustable leveler to keep the cabinet balanced .

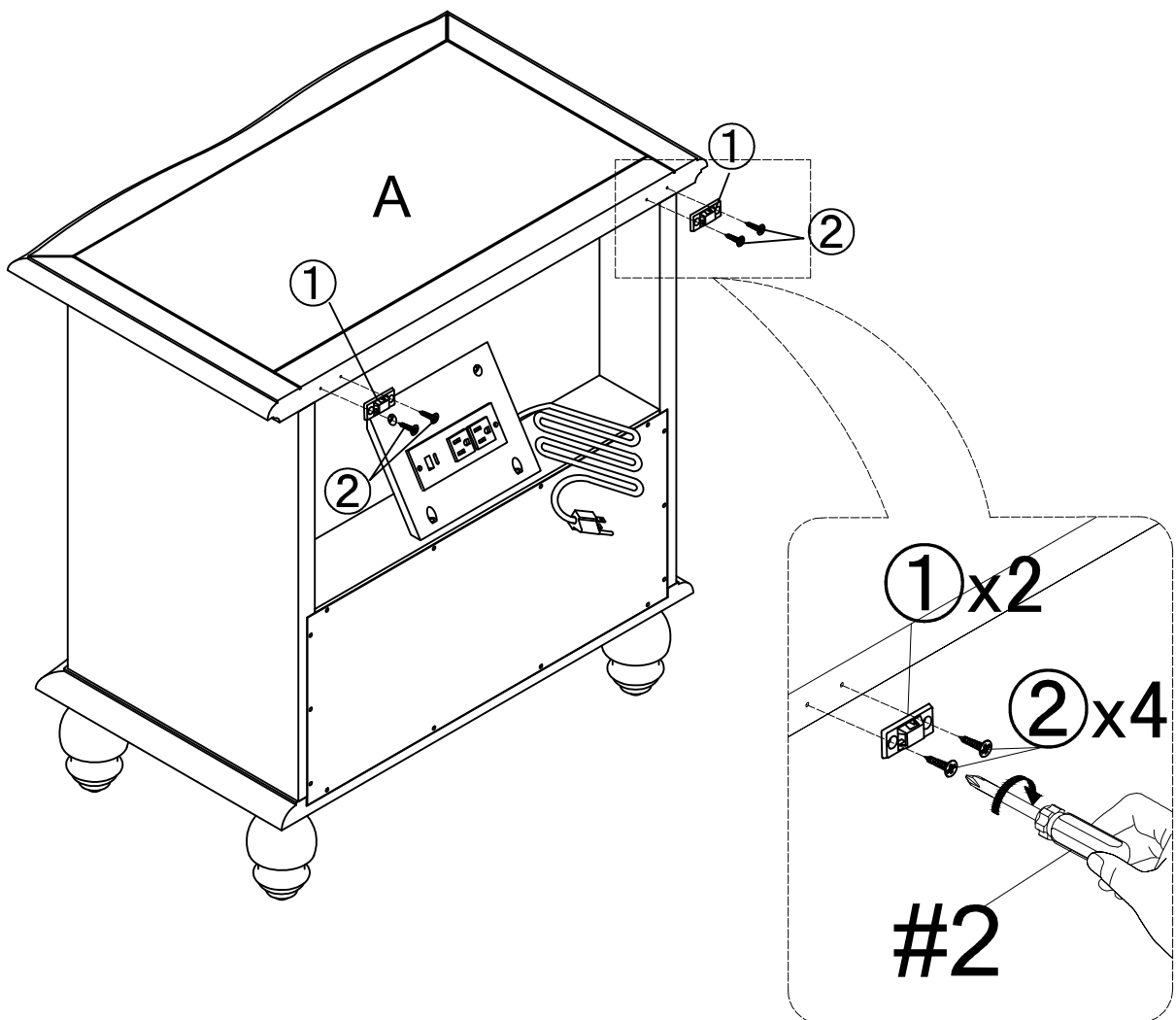


ASSEMBLY INSTRUCTIONS

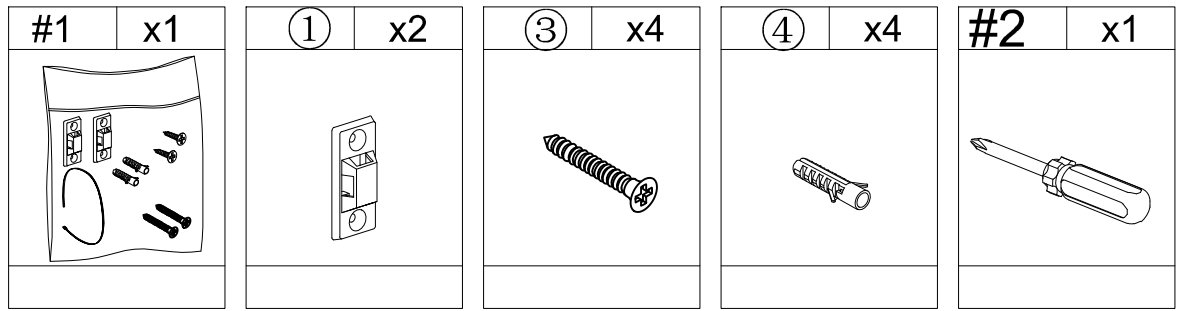
STEP-3



Use screw ② to attach plastic bracket ① to panel (A), make sure all holes aligned and tighten screw ② with screwdriver #2.

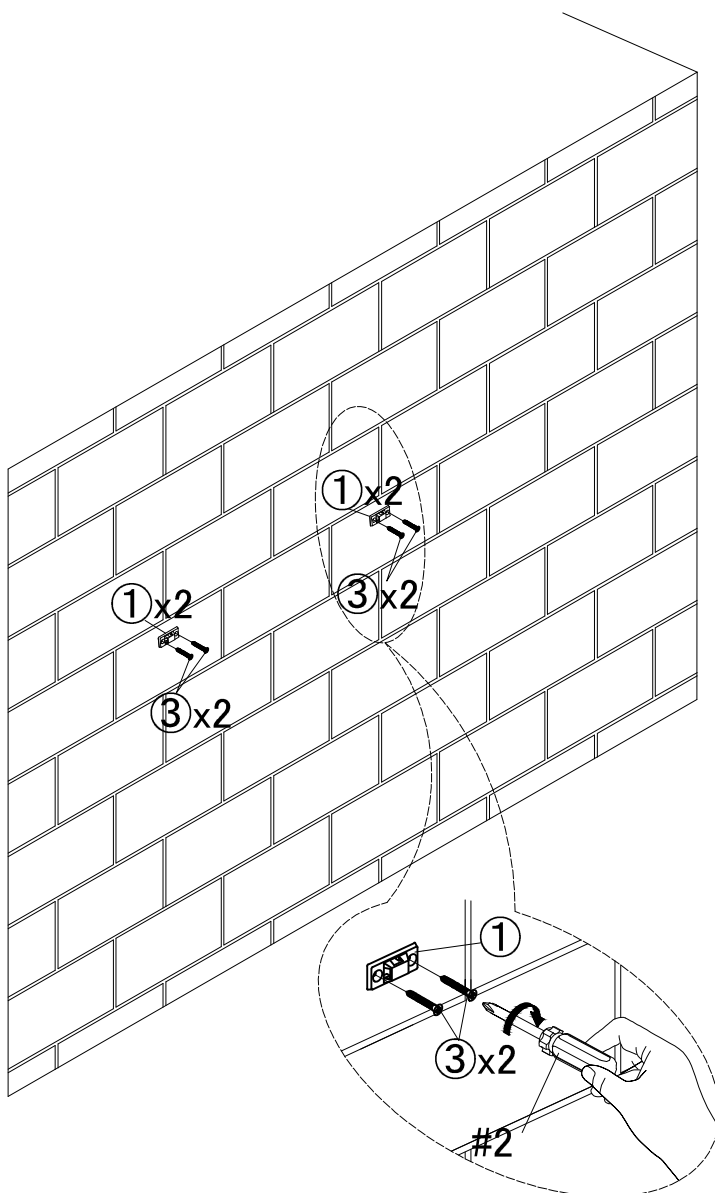


ASSEMBLY INSTRUCTIONS

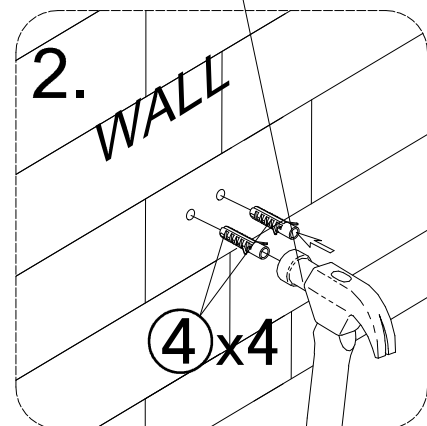
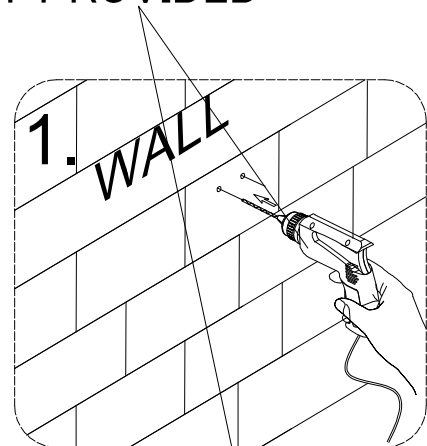


STEP-4

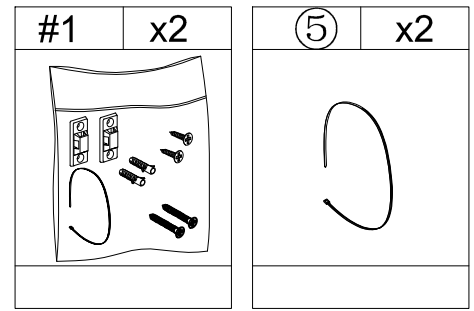
1. Mark the position on the wall, that corresponds to the location of bracket ① on the panel A; Drill and insert the expandable screw ④ by hammer.
2. Assemble the bracket ① to the wall. Align the hole in the bracket ① with the expandable screw ④, use screw ③ to attach it, tighten screw ③ with screwdriver #2



NOT PROVIDED

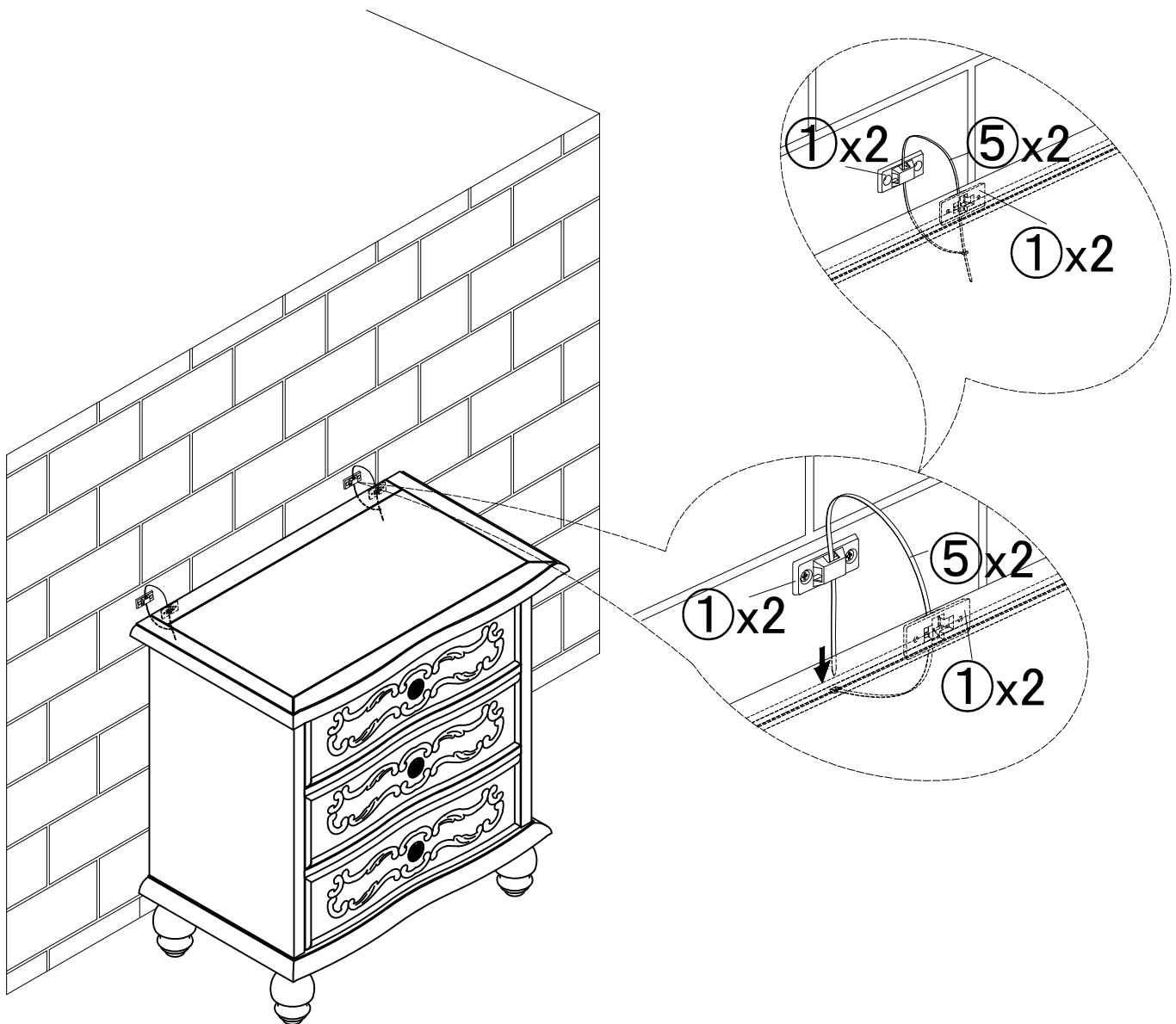


ASSEMBLY INSTRUCTIONS



STEP-5

3. Let the plastic belt ⑤ pass through bracket ① and pull tightly.



WARRANTY

1. We strive to offer high-quality products, and we also try our best to satisfy each and every customer that orders from us with product or service as needed.
2. We provide 30 days warranty starting from the time you receive the item. Each customer must provide a record of their order such as the order number, or item receipt for any items that are out of the warranty period you may also still receive.
3. Replacement parts by purchasing them with our company if they are available.

Appreciate your purchasing from us.
Pop up your life by our furniture piece!