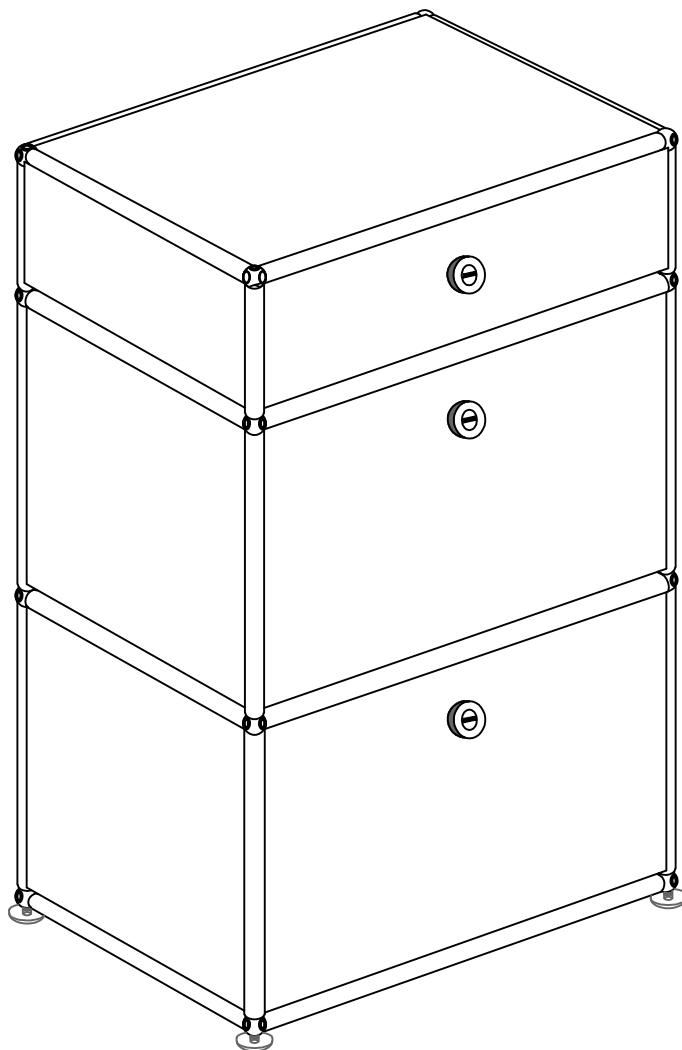


Storage Cabinet

'LYM01'



Dear Customer,

On behalf of our team, we would like to thank you for your continued trust and support.

We are pleased to serve you and provide you with our products. If you have any questions, please feel free to contact us and we will respond within 24 hours.

 **sale_services@outlook.com**

Mail Format:-----

Platform:

Order ID:

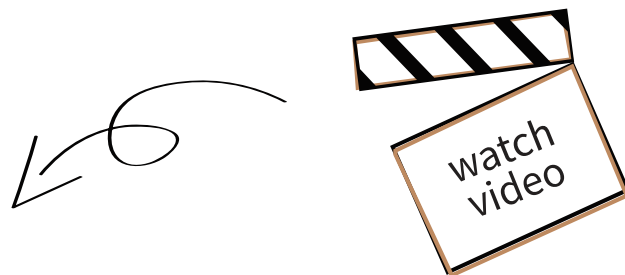
Reason:

Images:

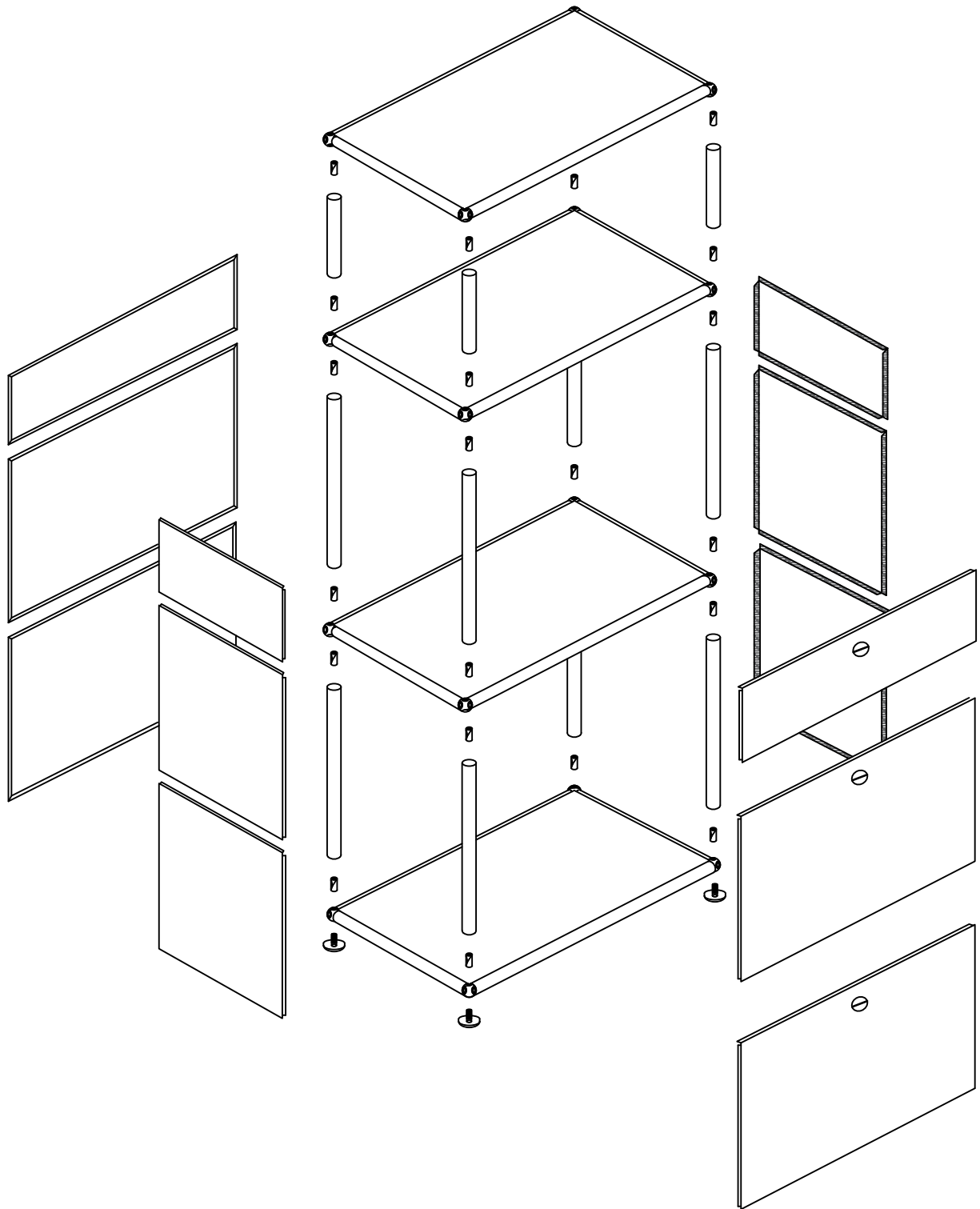
Image

Image

Image

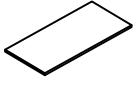
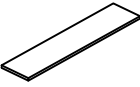
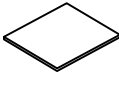
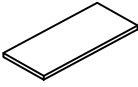
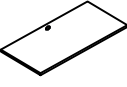
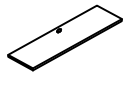


Scan this QR code to watch our product assembly video






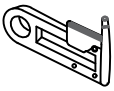
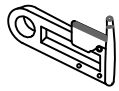


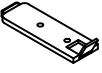
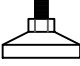
Installation Instructions

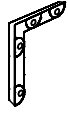


Modular metal cabinet




A1	A2	A3	A4	B1	B2			
								
750*350	750*175	350*350	350*175	750*350	750*175			
x2	x1	x4	x2	x2	x1			




Tips: The panel is made of two pieces buckled together. Please separate them and tear off the protective film on the four corners before installation.

C1	C2	C3						
								
350	175	750*350						
x8	x4	x4						

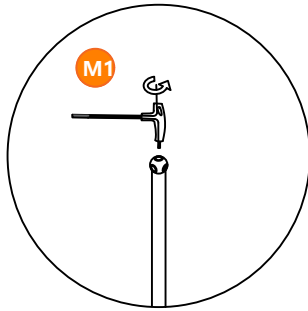
D1	D2	E	F	G	H			
								
Gate hinges	Small door hinge	Expansion bolts	Coin lock	Lock Box	Floor mats			
x4	x2	x24	x3	x3	x4			

I	J	K						
								
Alloy corner code	Plastic corner spacers	Semicircular cover						
x6	x6	x18						

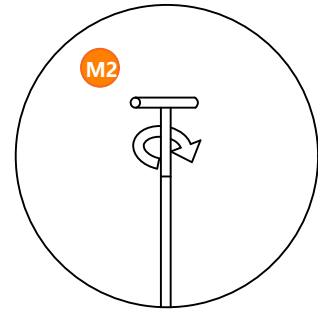
L1	L2	L3						
								
M4x25	M4x14	M3x25						
x18	x6	x6						

M1	M2	M3						
								
Small exclusive tools	Big exclusive tool	Phillips screwdriver						
x1	x1	x1						

Advance reminder: There are two dedicated tools with different usage methods during the installation process

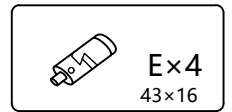
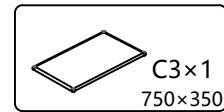


Insert M1 into the middle of the ball and rotate it **counterclockwise**

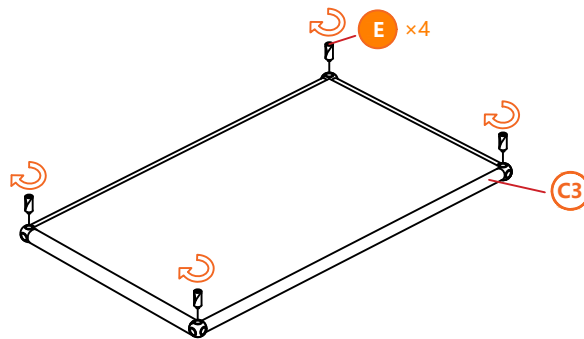
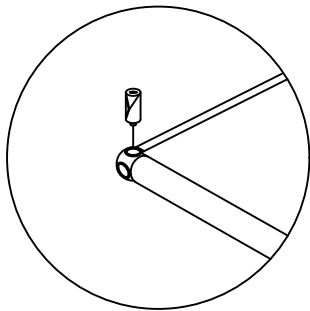


Insert M2 into the tube and rotate it **clockwise**

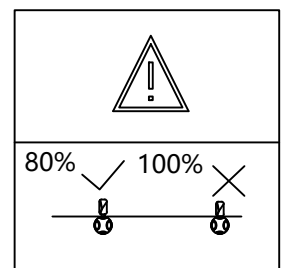
1



C3 frame front

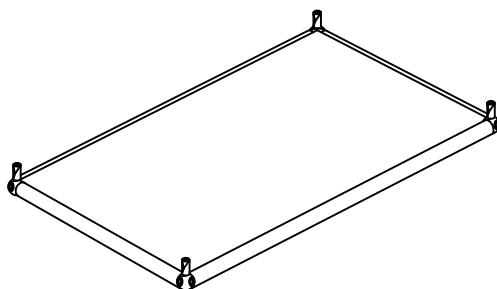


Do not lock the expansion bolt "E"



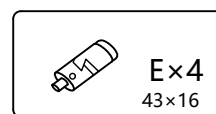
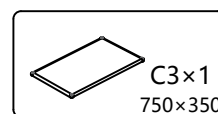
You need to connect E and C3 together. Note that E rotates clockwise. The C3 board is already installed, so you must distinguish the front and back of C3 when installing.

2

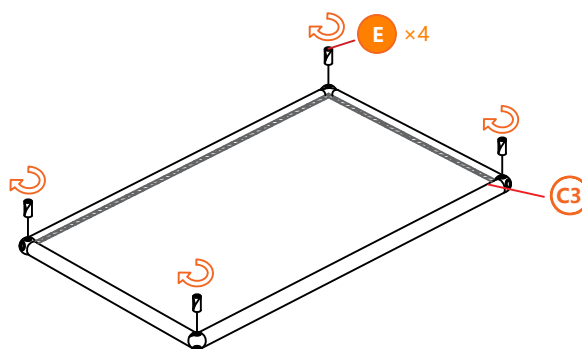
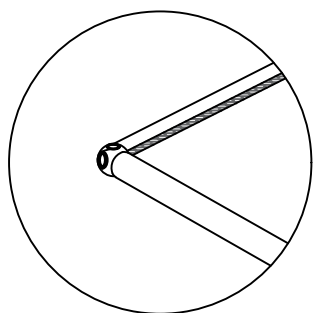


Then you get a status like this

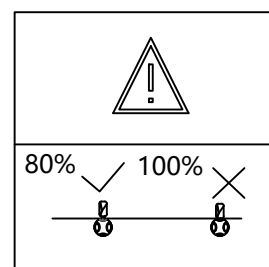
3



C3 frame back



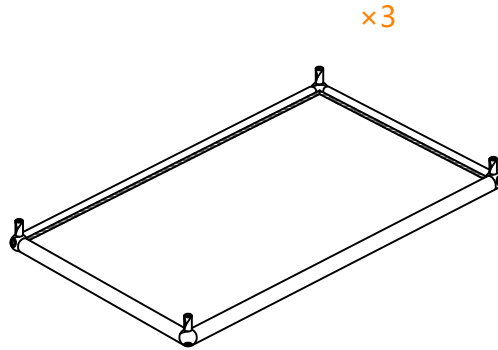
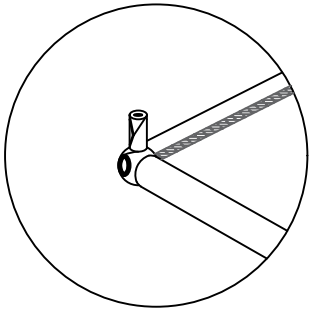
Do not lock the expansion bolt "E"



You can manually rotate E in a clockwise direction (be careful not to tighten it too much)

4

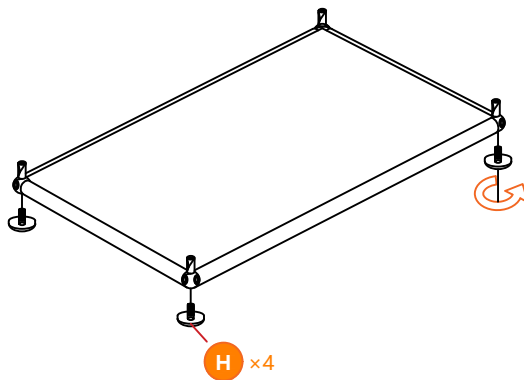
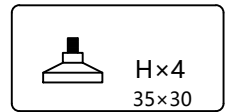
C3 frame back



Repeat this step to install the other three E

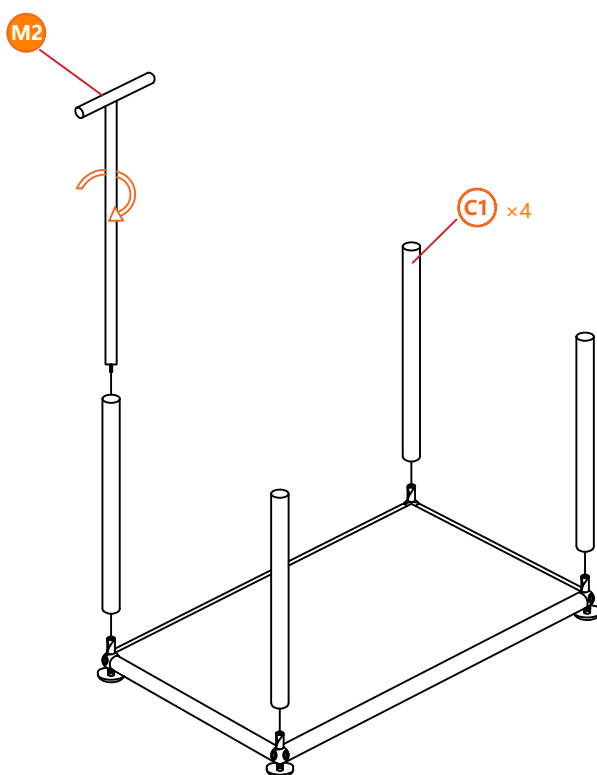
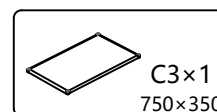
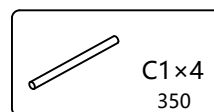
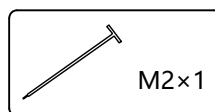
5

Take out the "C3 frame front" with the "E" part installed in **step 2**



The foot pad H can be installed by manual rotation (**counterclockwise**)

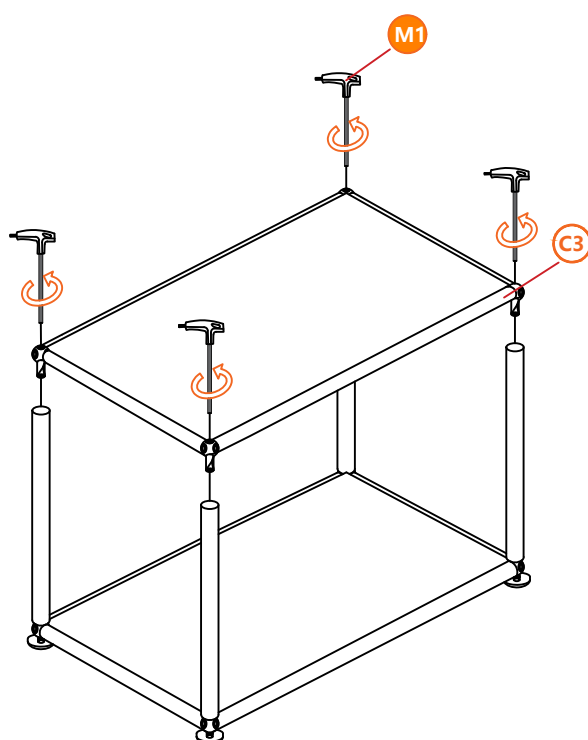
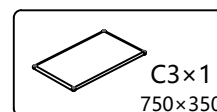
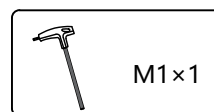
6



Attention: The rod and the panel on which it is mounted should be perpendicular to each other at a 90° angle and the rods to be mounted should also be parallel to each other.


Use the M2 tool to install C3, a total of four (**clockwise**)

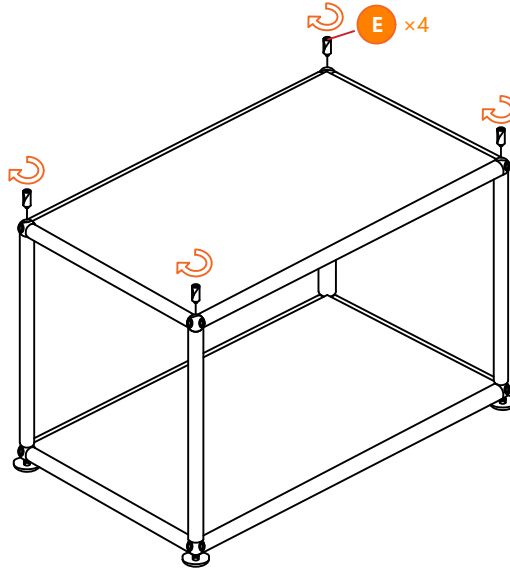
7



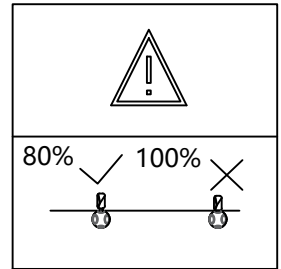
Use the M1 tool to proceed to the next step of installation (**counterclockwise**)

8

 E x4
43x16

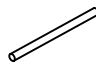



Do not lock the expansion bolt "E"

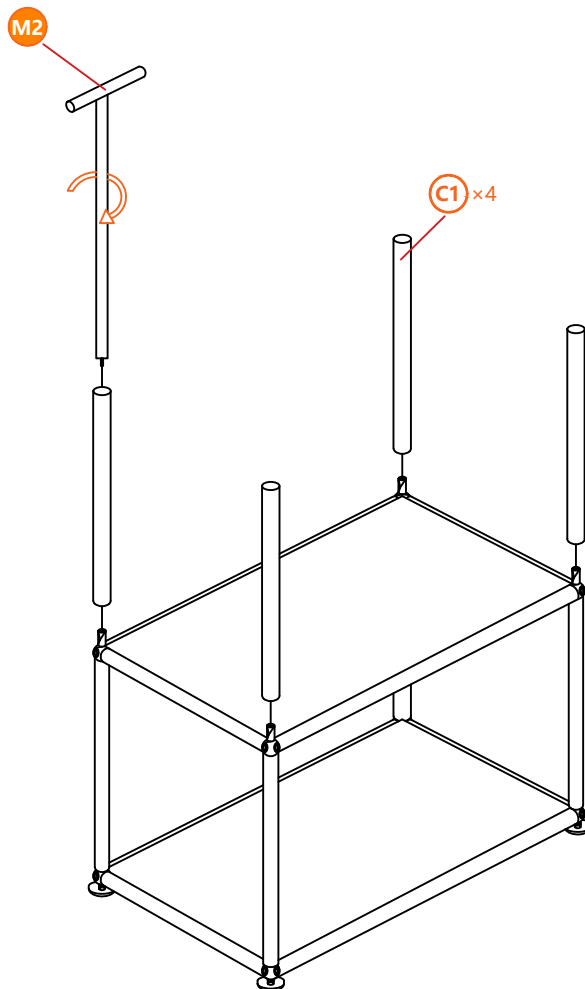


You need to connect E and frame C3 together, note that E rotates clockwise

9

 C1 x4
350

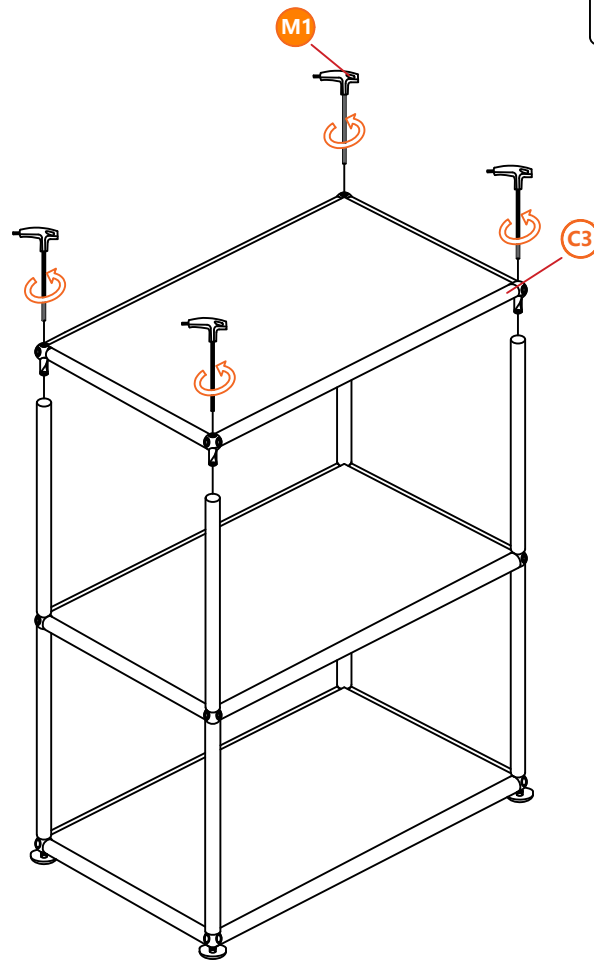
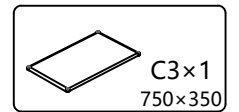
 M2 x1



Attention: The rod and the panel on which it is mounted should be perpendicular to each other at a 90° angle and the rods to be mounted should also be parallel to each other.

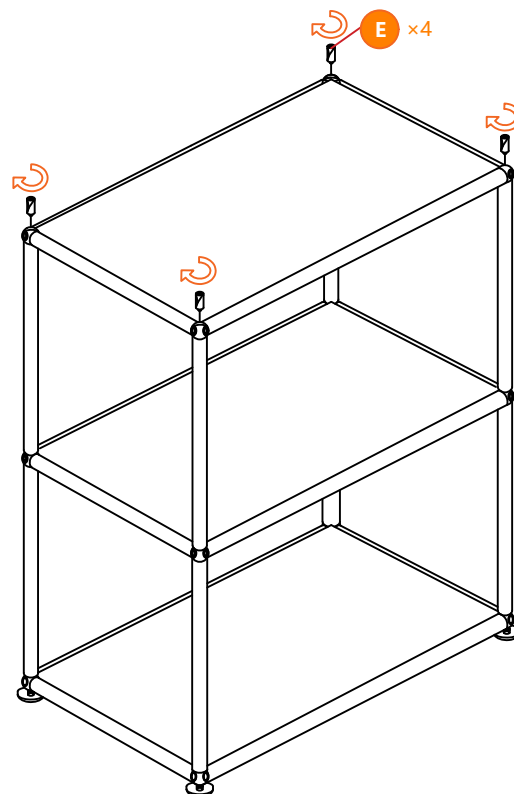
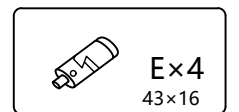
Use the M2 tool to install C1, a total of four (clockwise)

10

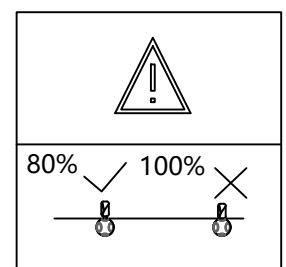


Use the M1 tool to proceed to the next step of installation
(counterclockwise)

11

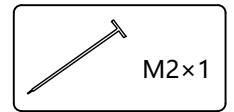
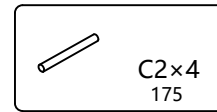
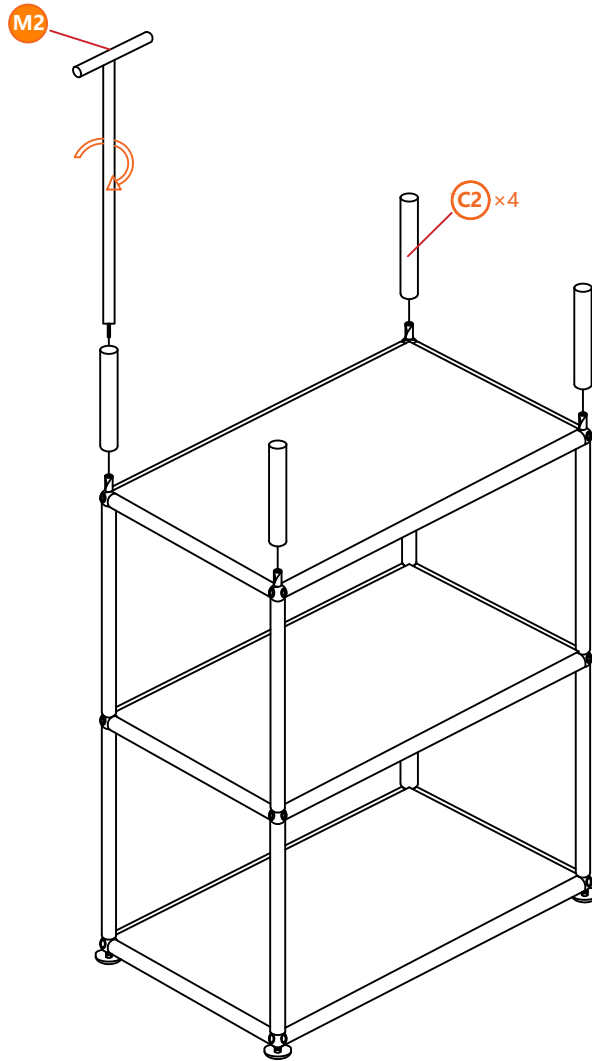


Do not lock the expansion
bolt "E"



You need to connect E and frame C3 together, note that E rotates
clockwise

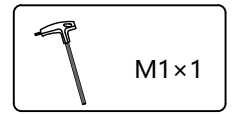
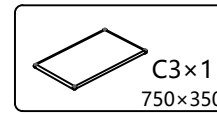
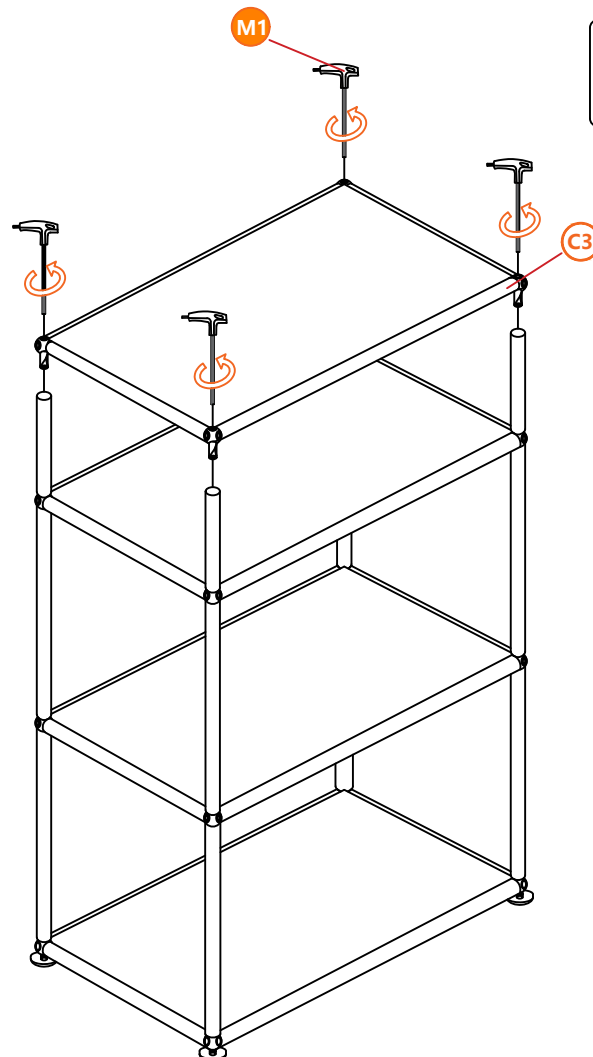
12



Attention: The rod and the panel on which it is mounted should be perpendicular to each other at a 90° angle and the rods to be mounted should also be parallel to each other.

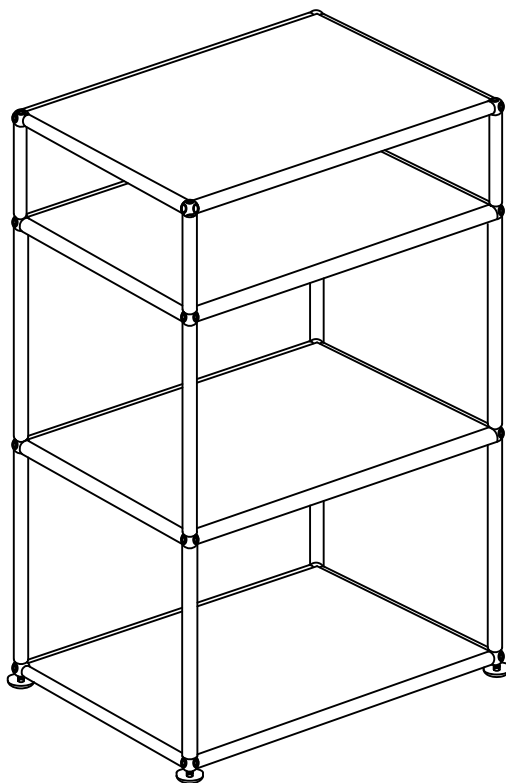
Use the M2 tool to install C2, a total of four (**clockwise**)

13



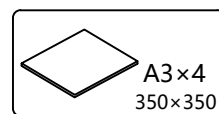
Use the M1 tool to proceed to the next step of installation (**counterclockwise**)

14



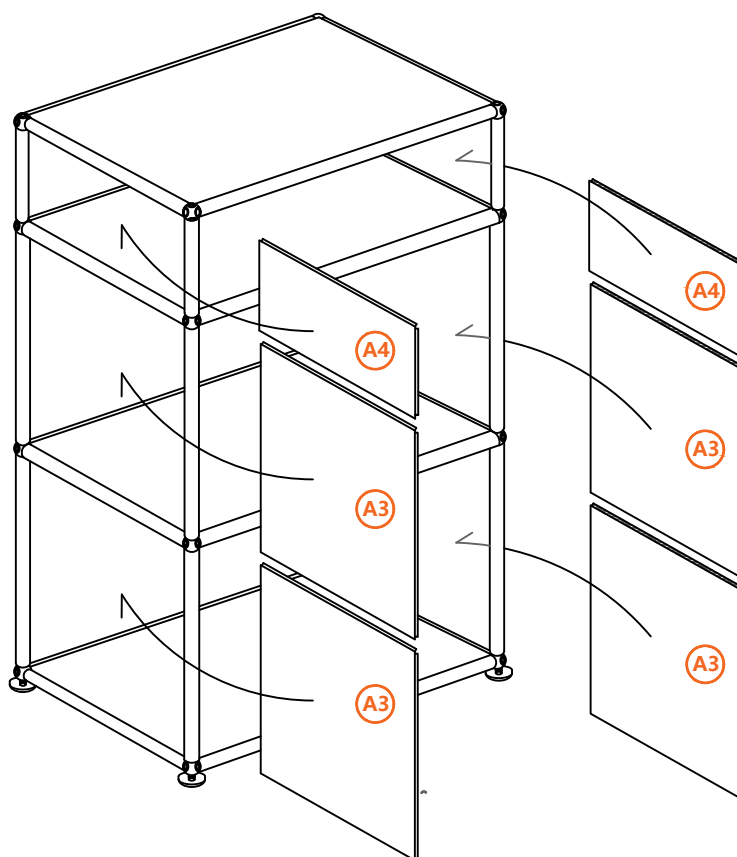
Then you will get a status like this

15 Installing the side panels



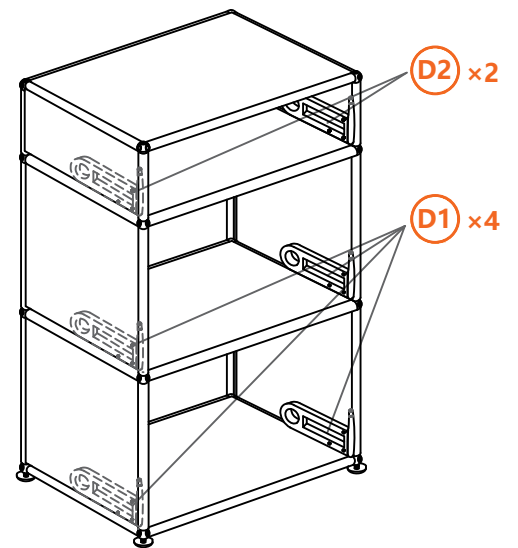
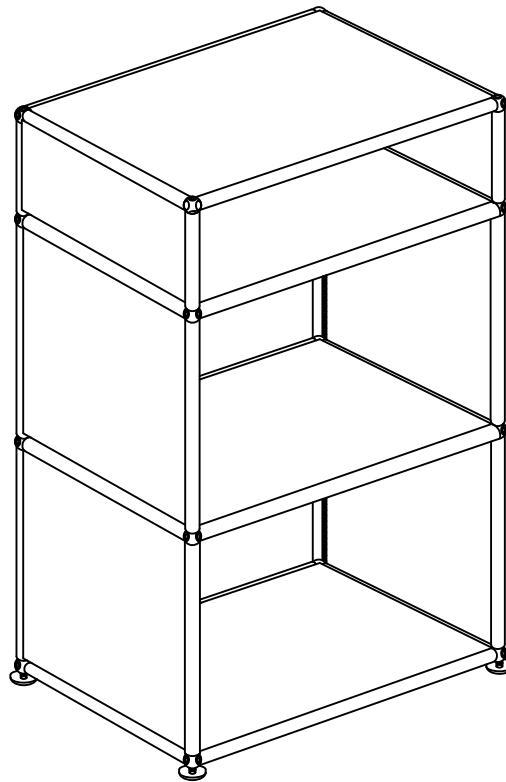
Attention:

When installing the board, it is best to put a soft pad under the place where it is to be installed to prevent the board from falling out of your hand and damaging the panel below.



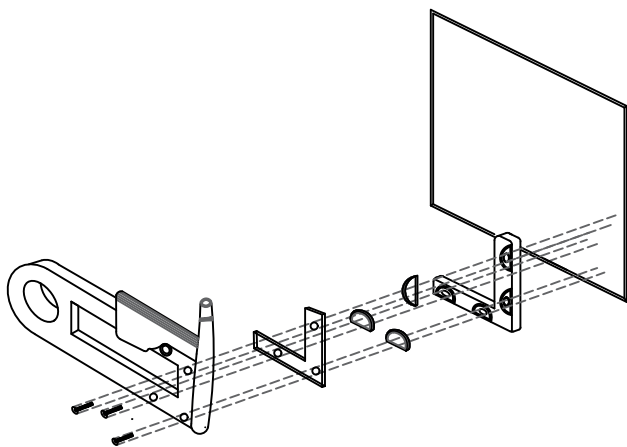
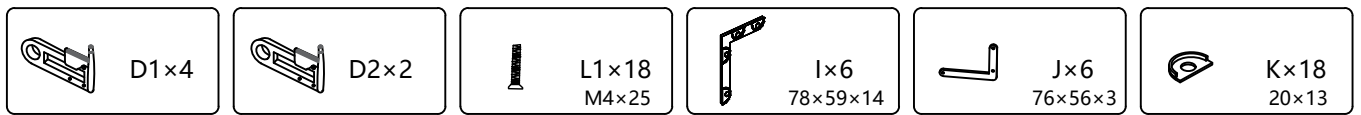
Hold the A3/A4 panel horizontally, push down the two adjacent corners first, and then install the other two corners one by one.

16

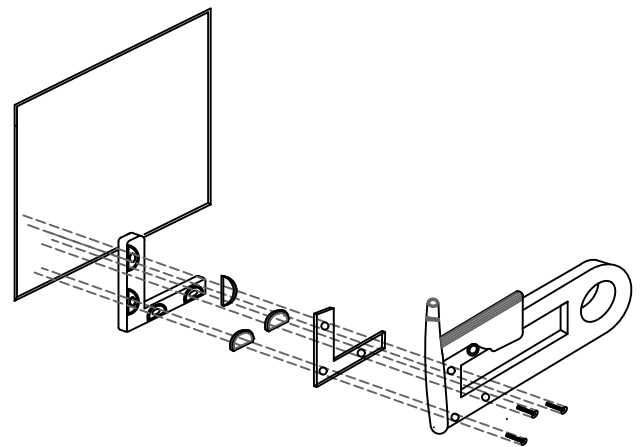


Install the 4 panels A3 and A4 in sequence, and you will get something like this. **Please be prepared to install the hinge assembly corresponding to the lower right corner of the side panel.**

17

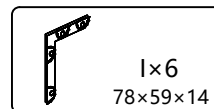
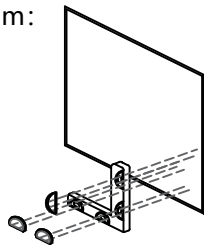


Place the accessories in the order of the guide lines (on the **right**)

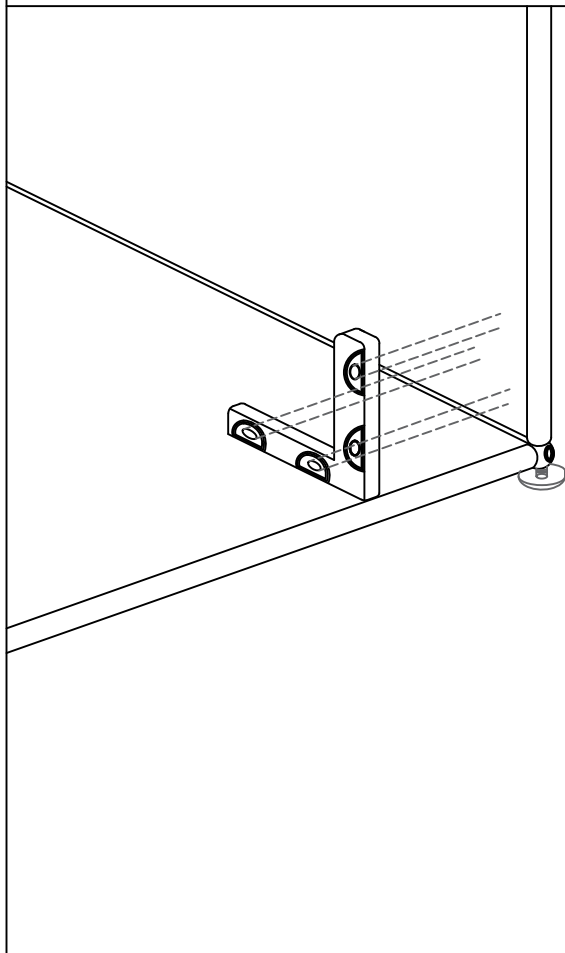


Place the accessories in the order of the guide lines (**left** side)

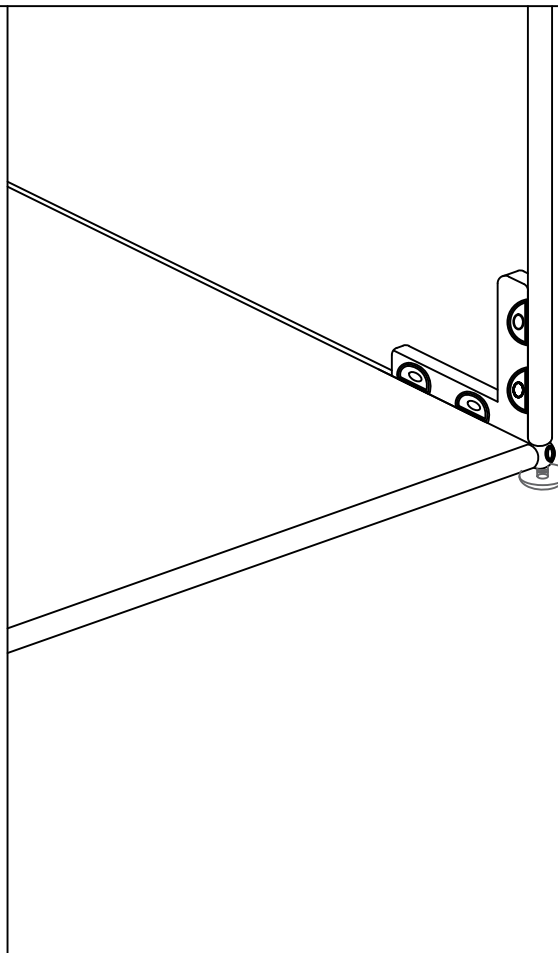
Schematic diagram:



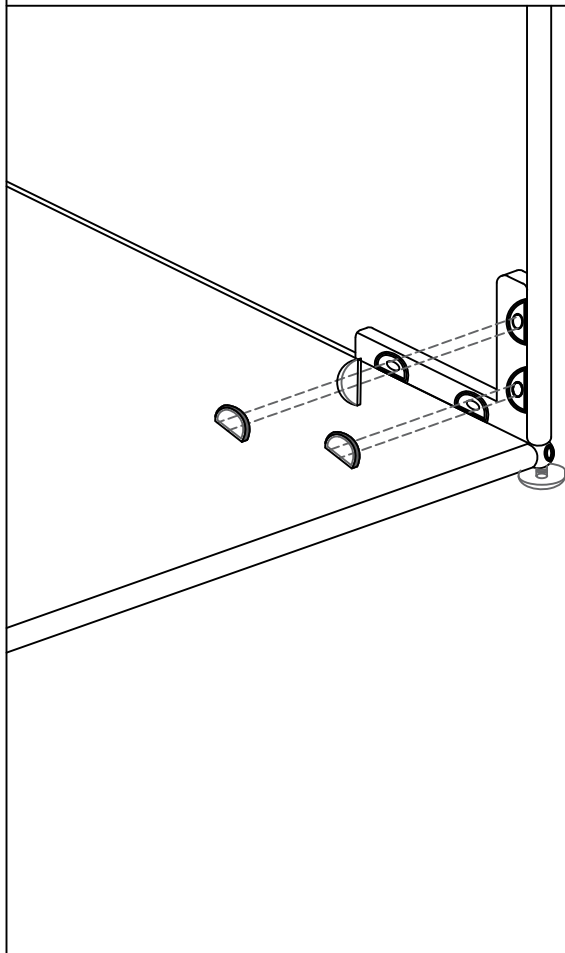
(1)



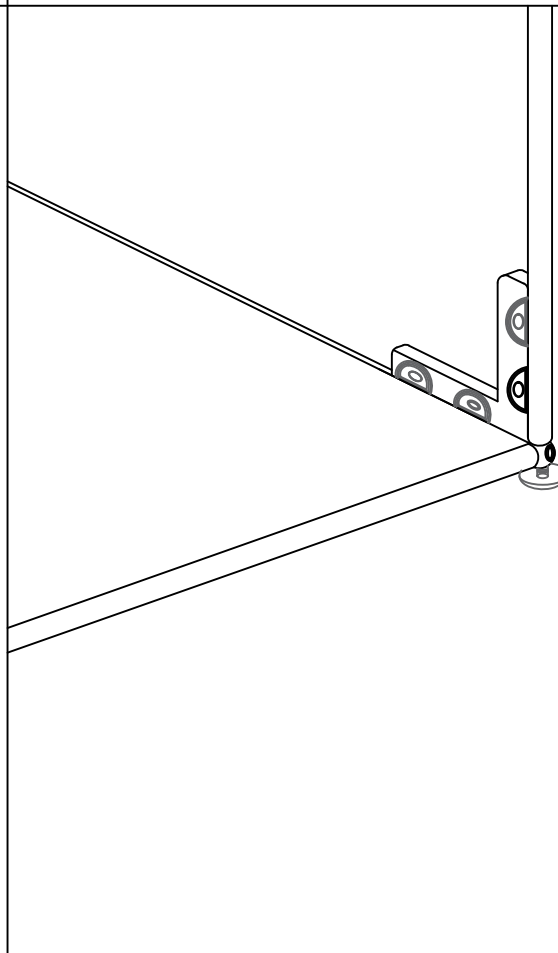
(2)

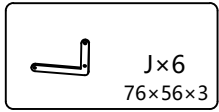
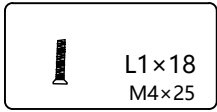
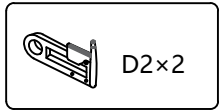
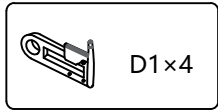


(3)

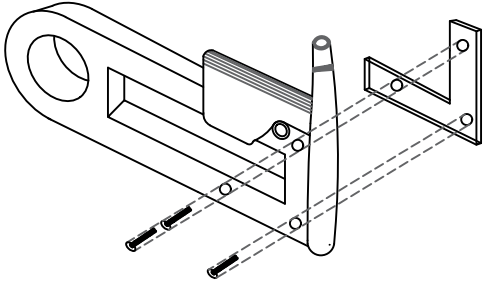


(4)

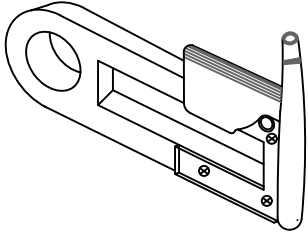




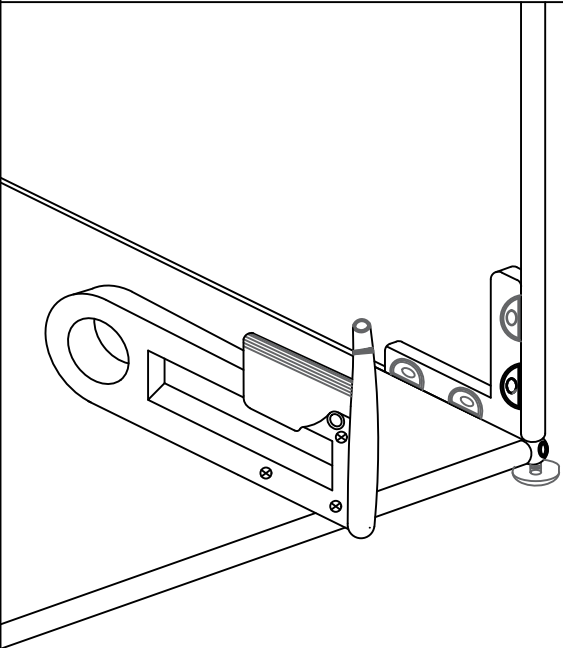
(5)



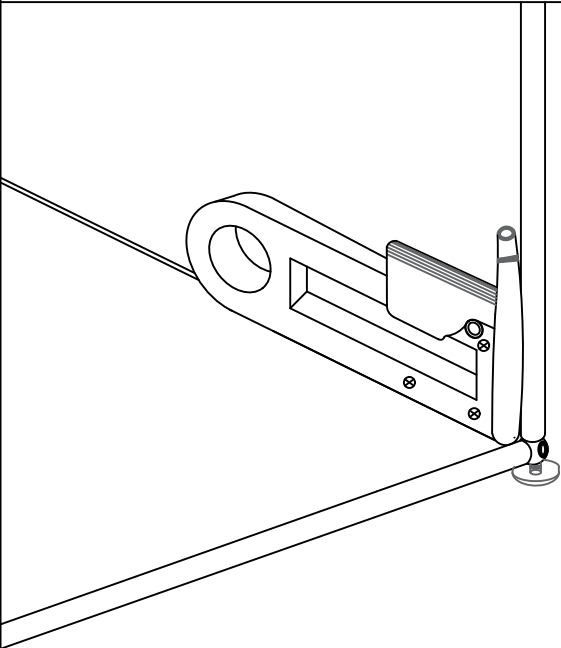
(6)



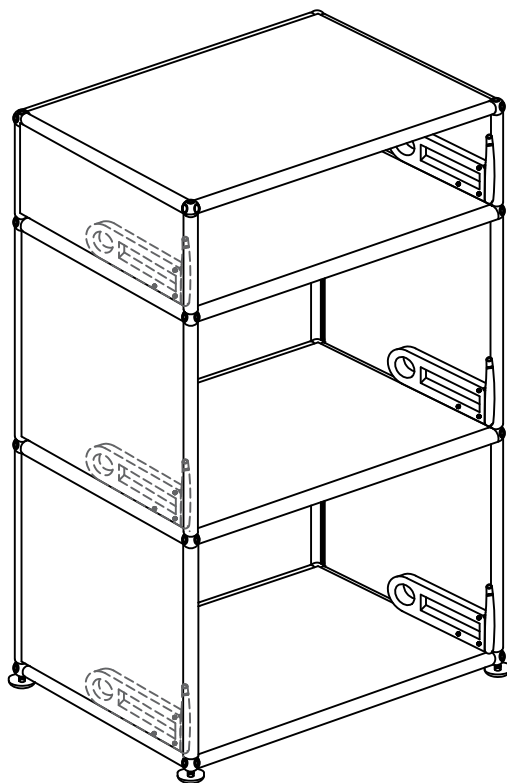
(7)



(8)

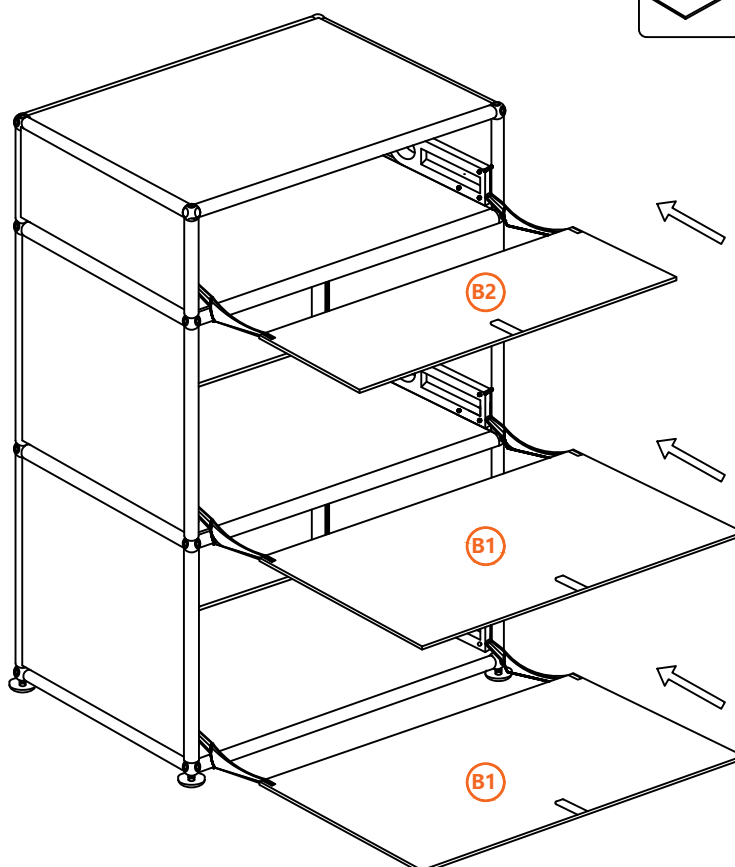
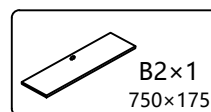
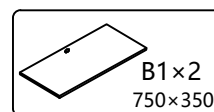


18

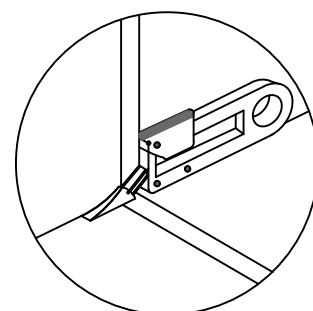


Install it 6 times in sequence, and then you will get this status

19

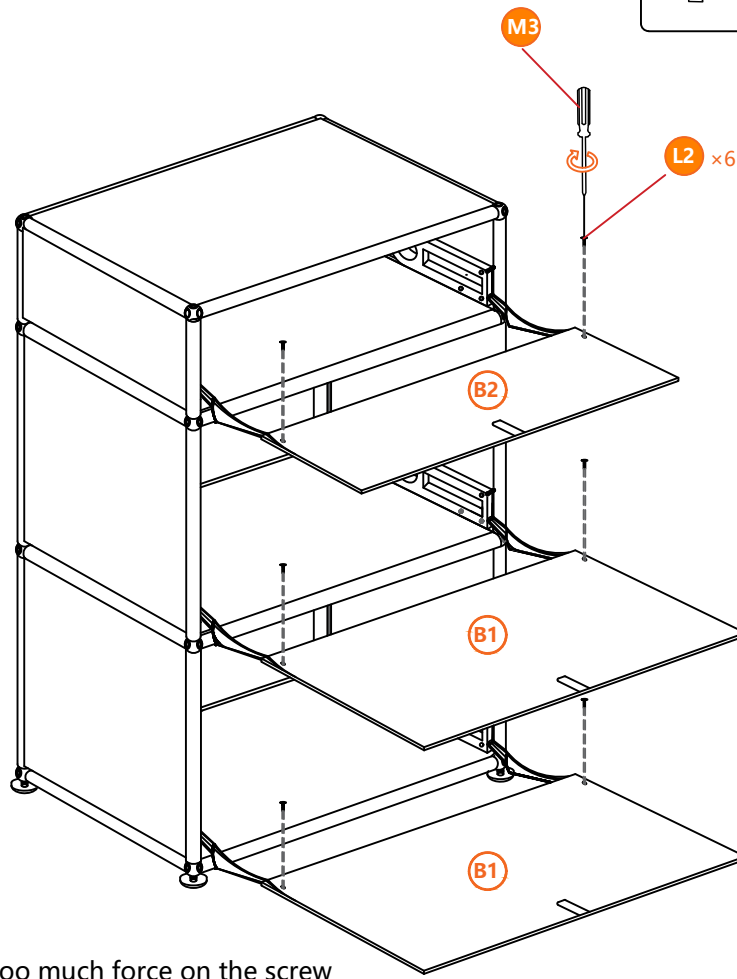
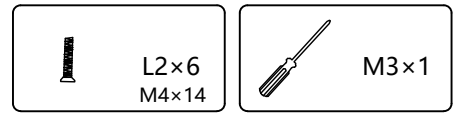


Schematic diagram

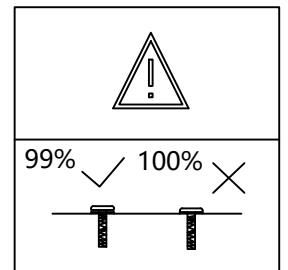


Align the door panel groove and insert the hinge arm

20

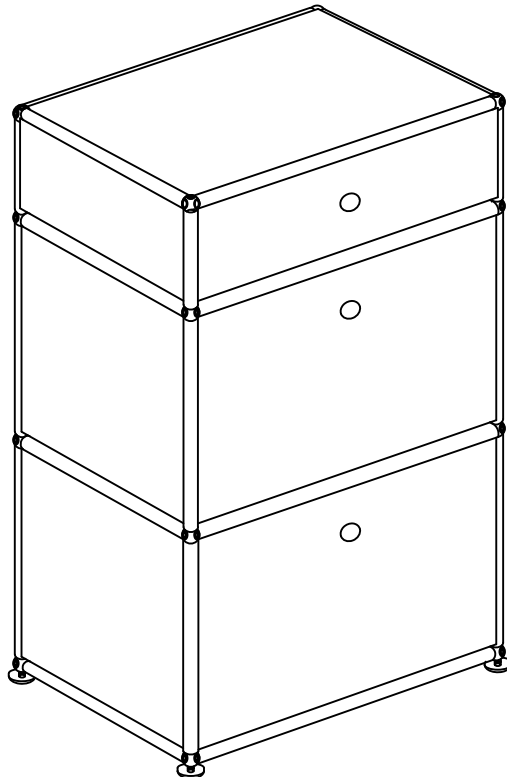


Do not lock the screws

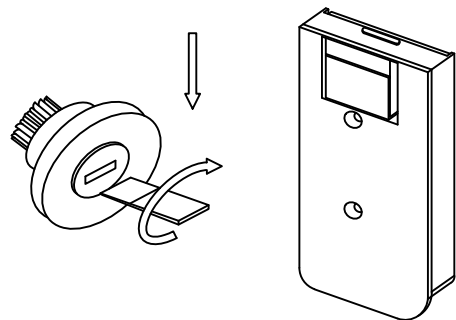
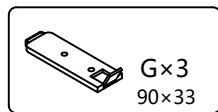
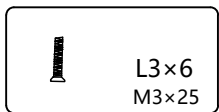
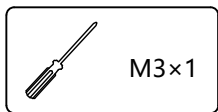


Fix with screw M4*14, do not use too much force on the screw (clockwise)

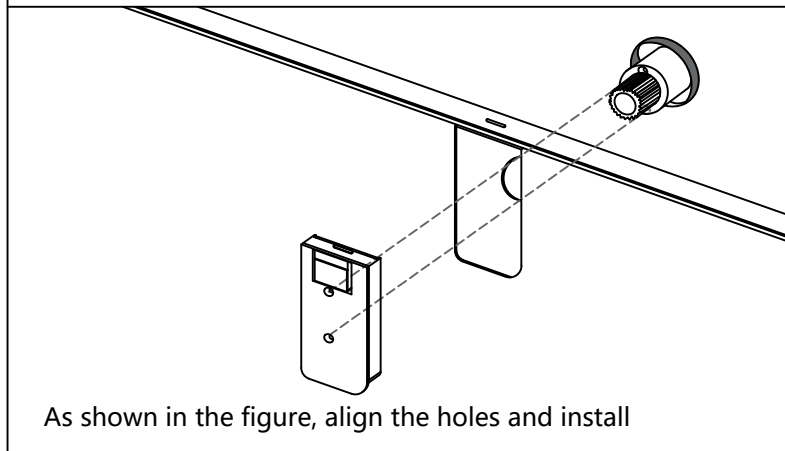
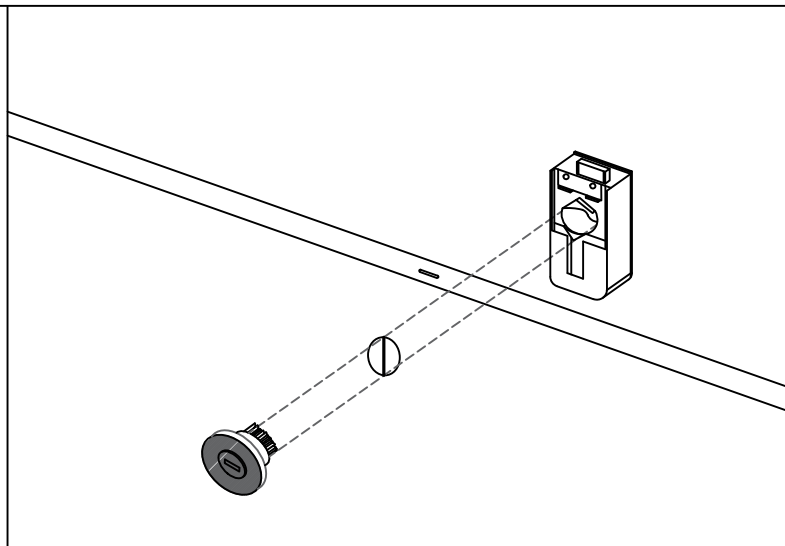
21



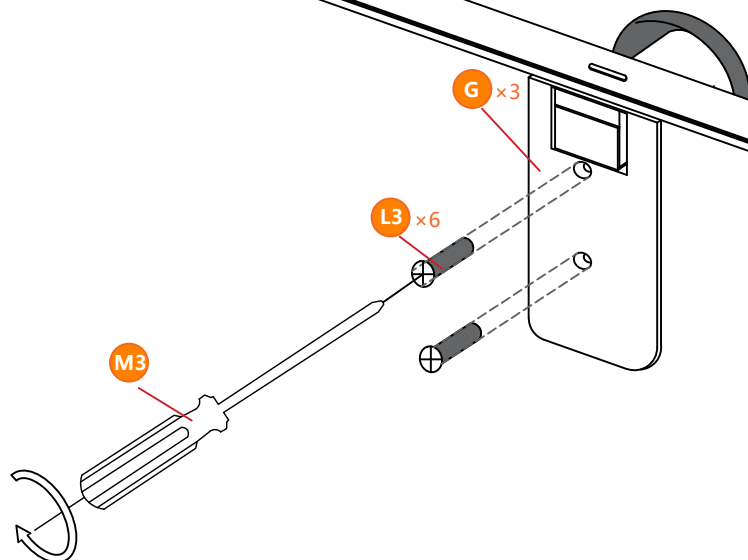
Install it 3 times in sequence, and then you will get this status



Insert a coin or something similar to a coin into the keyhole and turn it to the right before installing the door lock.



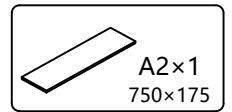
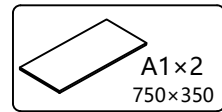
As shown in the figure, align the holes and install



Use M3*25 screws to fix it and install it 3 times in sequence

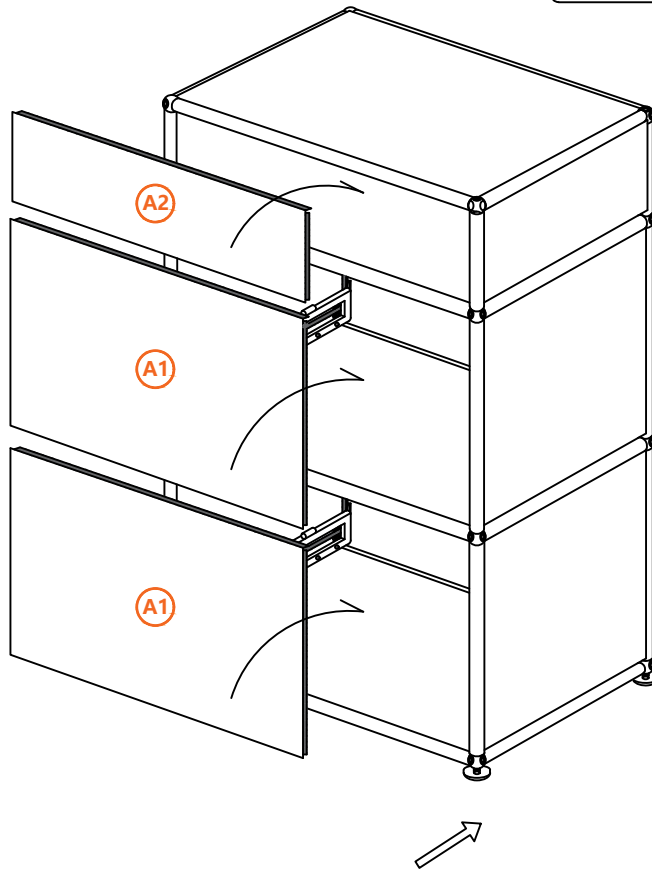
23

Installing the side panels



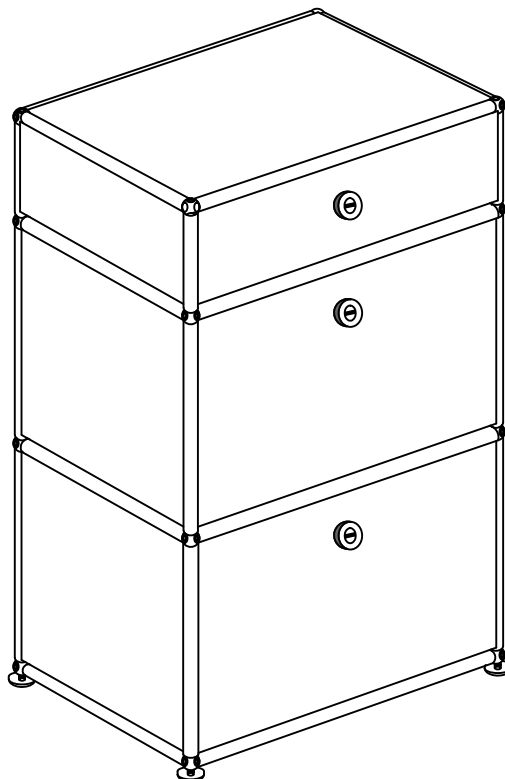
Attention:

When installing the board .it is best to put a soft pad under the place where it is to be installed to prevent the board from falling out of your hand and damaging the panel below.



Hold panel A1/A2 horizontally and push down the two adjacent corners first, then install the other two corners one by one.

24



Then you will get this status