

**S7320001, S7320002 - Roman Tub Filler**

**Description**

- Metal lever handles
- "Trend" 8"- 16" roman tub filler faucet
- 9" solid brass spout
- 90 deg turn ceramic disc cartridges
- Quick connect spout installation
- 1/2" NPT connections
- 10 GPM

**Standards**

- Complies with IAPMO UPC/cUPC
- ADA Accessibility Guidelines for Buildings and Facilities - 4.27.4 Controls and Mechanisms



• S7320001

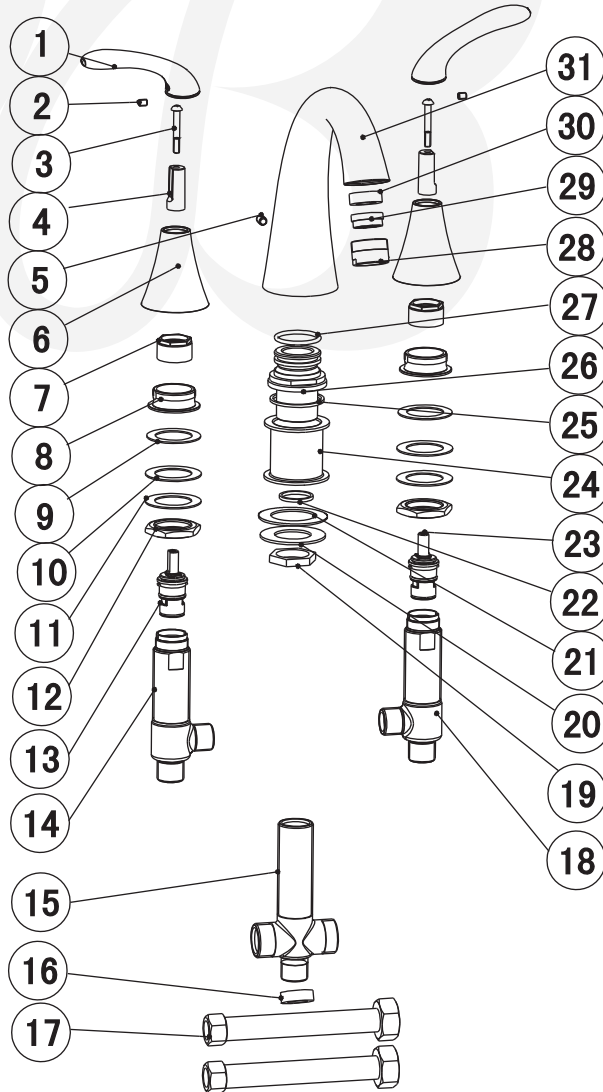
**Colors / Finishes**

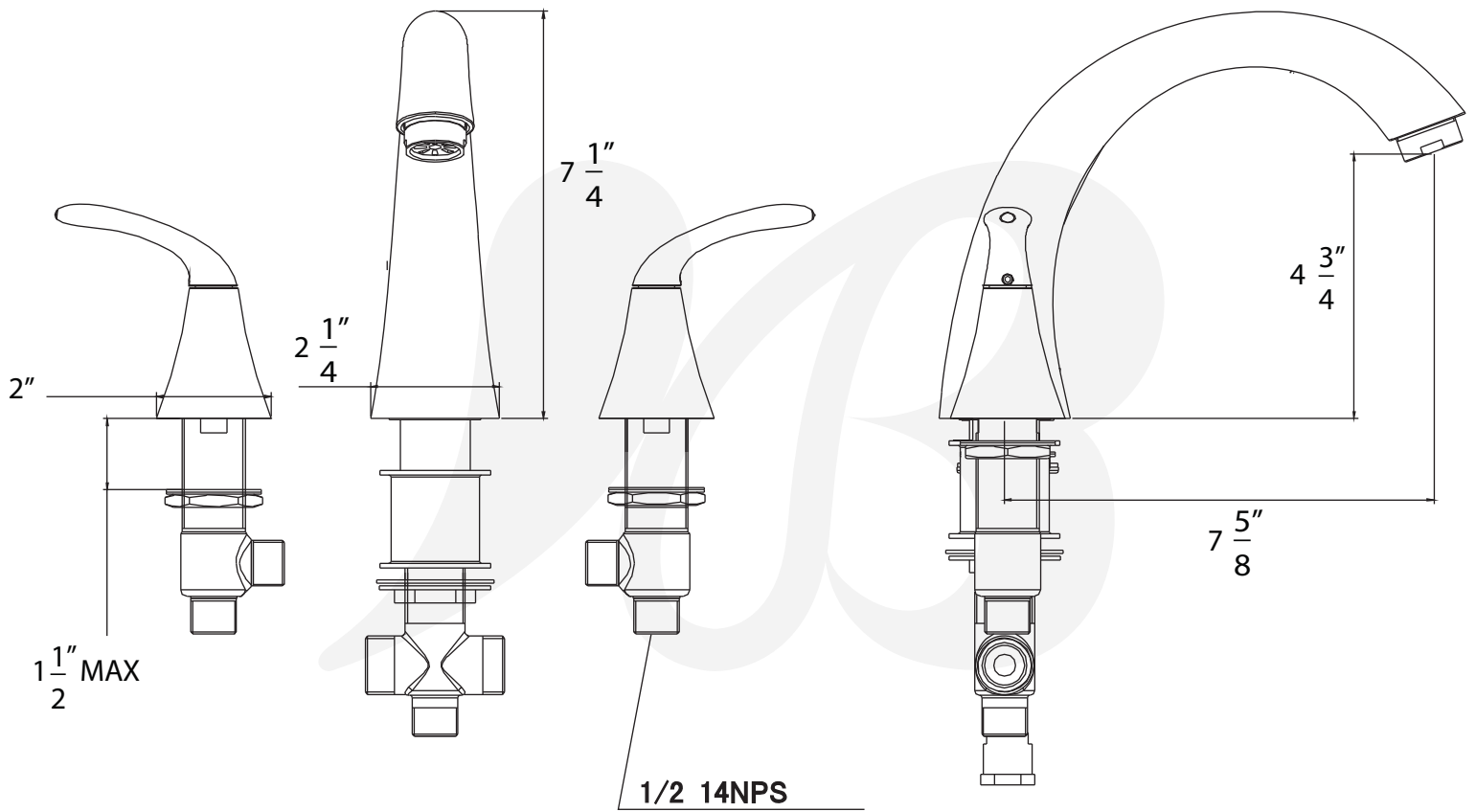
S7320001 - Chrome

S7320002 - PVD Satin Nickel

**BREAK DOWN  
Component Parts List**

NO.	Part No	Qty
01	CTHB0119	1
02	CTHZ0331	2
03	CTST0117	2
04	CTST0182	2
05	CTCP0380	2
06	CTST0137	2
07	CTCZ0163	2
08	CTNZ0004	2
09	CTNB0282	2
10	CTWR0297	2
11	CTWR0216	2
12	CTWT0039	2
13	CTNT0022	2
14	ATBA0128	1
15	CTPB0500	1
16	ATBP0157	1
17	CTPB0501	1
18	CTNB0156	1
19	CTWT0038	1
20	CTWR0115	1
21	CTWR0168	1
22	CTCT0035	1
23	CTWR0060	1
24	CTTB0035	1
25	CTRR0137	1
26	ATBA5007	1
27	CTXB0021	1
28	CTQP0030	1
29	CTWR0018	1
30	ATBA5008	1
31	CTFB0222	1





Item Number	Type	Date
S7320001, S7320002	Roman Tub Filler	3-17-2016